



US00D363512S

**United States Patent** [19]  
**Bluff**

[11] **Patent Number: Des. 363,512**

[45] **Date of Patent: \*\*Oct. 24, 1995**

[54] **TOY BUILDING ELEMENT**

3,654,726 4/1972 Witte ..... 446/103

[75] Inventor: **Kristian A. Bluff**, Lyngby, Denmark

*Primary Examiner*—Terry A. Wallace

*Assistant Examiner*—R. Barkai

[73] Assignee: **INTERLEGO AG**, Baar, Switzerland

*Attorney, Agent, or Firm*—Kane, Dalsimer, Sullivan,  
Kurucz, Levy, Eisele and Richard

[\*\*] Term: **14 Years**

[57] **CLAIM**

[21] Appl. No.: **29,140**

The ornamental design for a toy building element, as shown and described.

[22] Filed: **Sep. 29, 1994**

[52] **U.S. Cl.** ..... **D21/108**

**DESCRIPTION**

[58] **Field of Search** ..... D21/108, 124,  
D21/141, 132, 134; 446/103, 104, 121,  
128

FIG. 1 is a top perspective view of the toy building element showing my new design;

FIG. 2 is a bottom perspective view thereof;

FIG. 3 is a left side elevational view thereof;

FIG. 4 is a rear elevational view thereof;

FIG. 5 is a right side elevational view thereof;

FIG. 6 is a front side elevational view thereof;

FIG. 7 is a bottom plan view thereof; and,

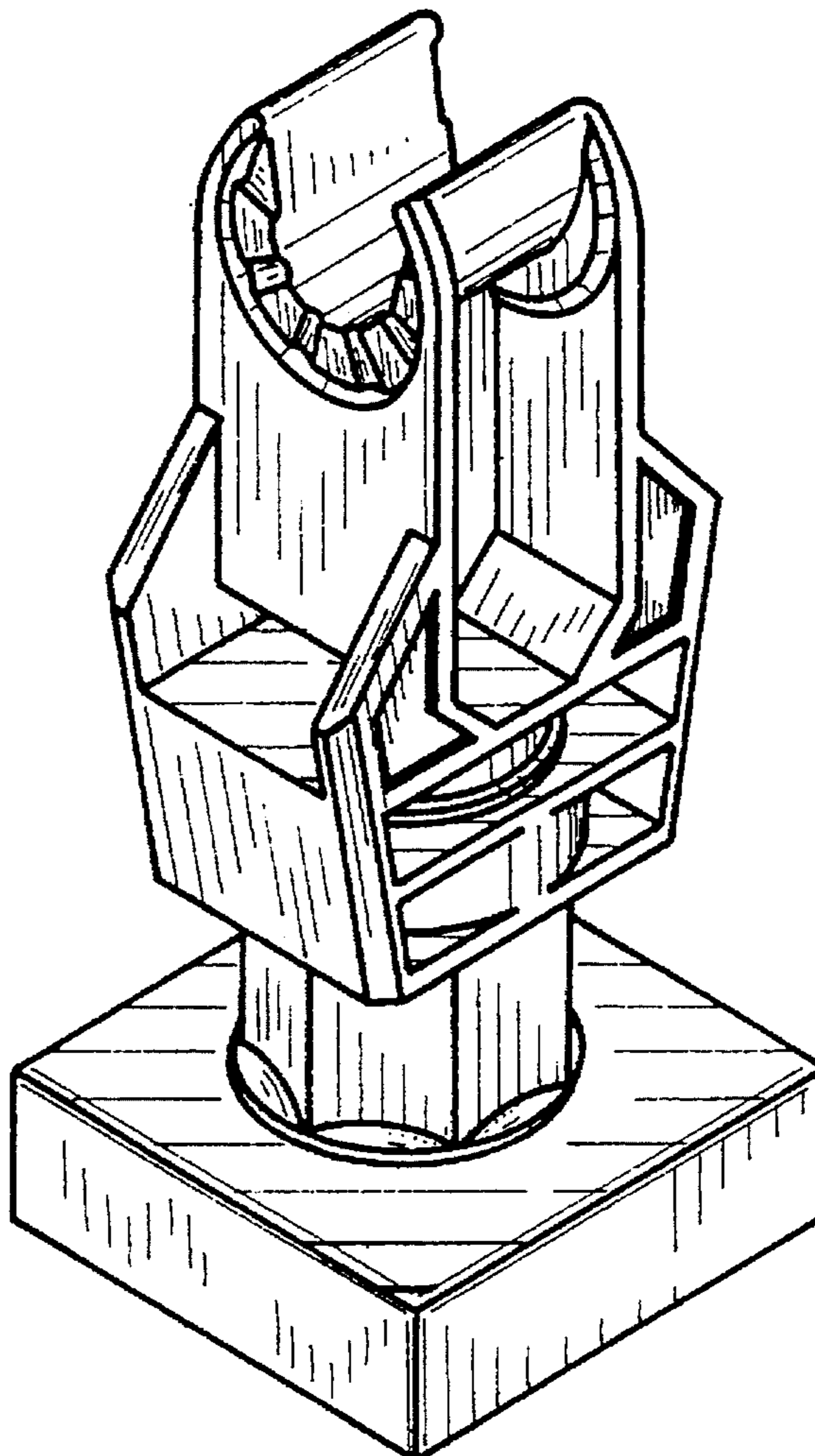
FIG. 8 is a top plan view thereof.

[56] **References Cited**

**U.S. PATENT DOCUMENTS**

D. 315,182	5/1991	Olsen	.....	D21/108
D. 315,375	3/1991	Olsen	.....	D21/108
D. 333,850	3/1993	Olsen	.....	D21/108
D. 333,852	3/1993	Olsen	.....	D21/108
D. 334,601	4/1993	Olsen	.....	D21/108
D. 335,159	4/1993	Olsen	.....	D21/108

**1 Claim, 2 Drawing Sheets**



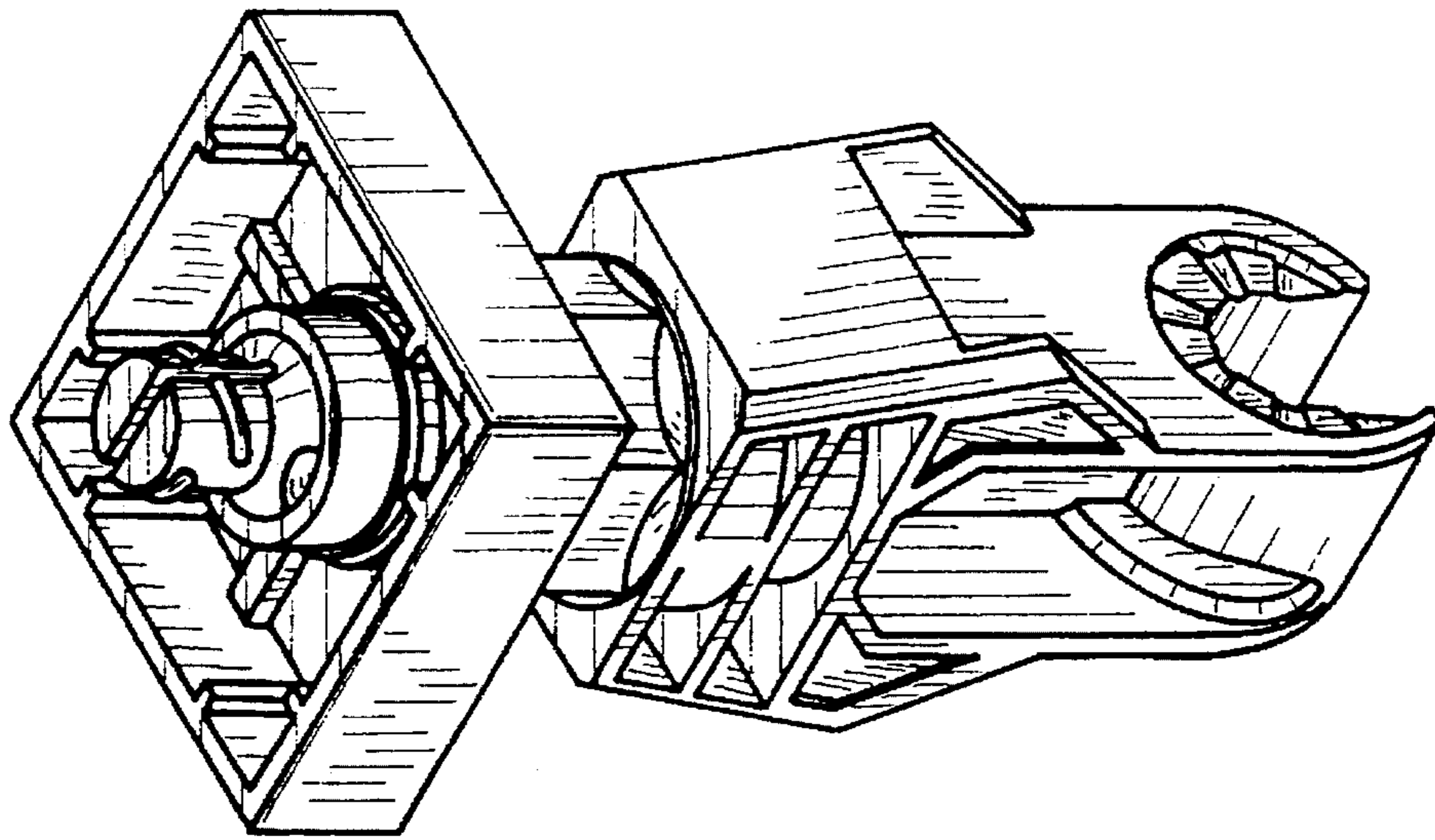


FIG. 2

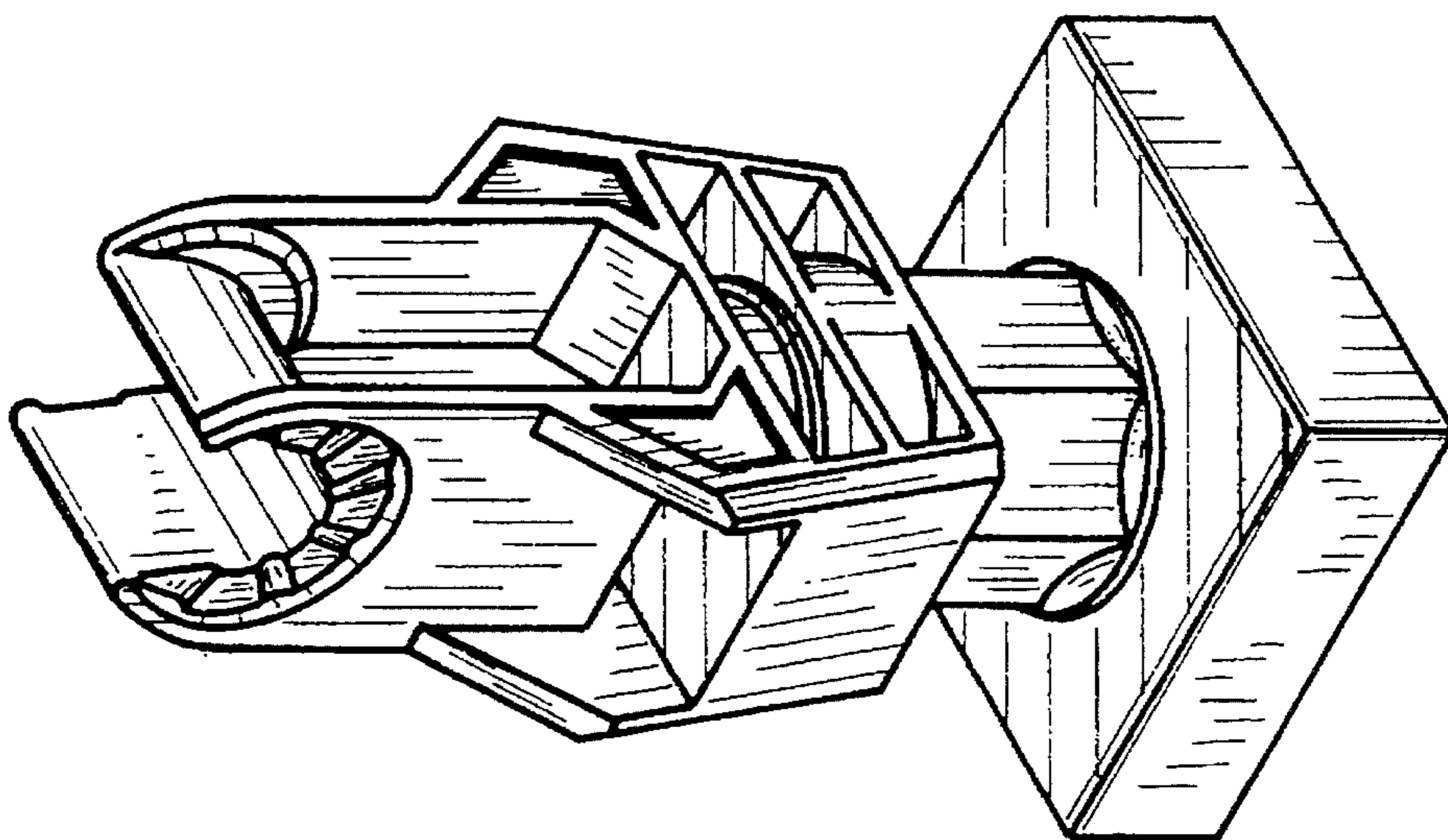


FIG. 1

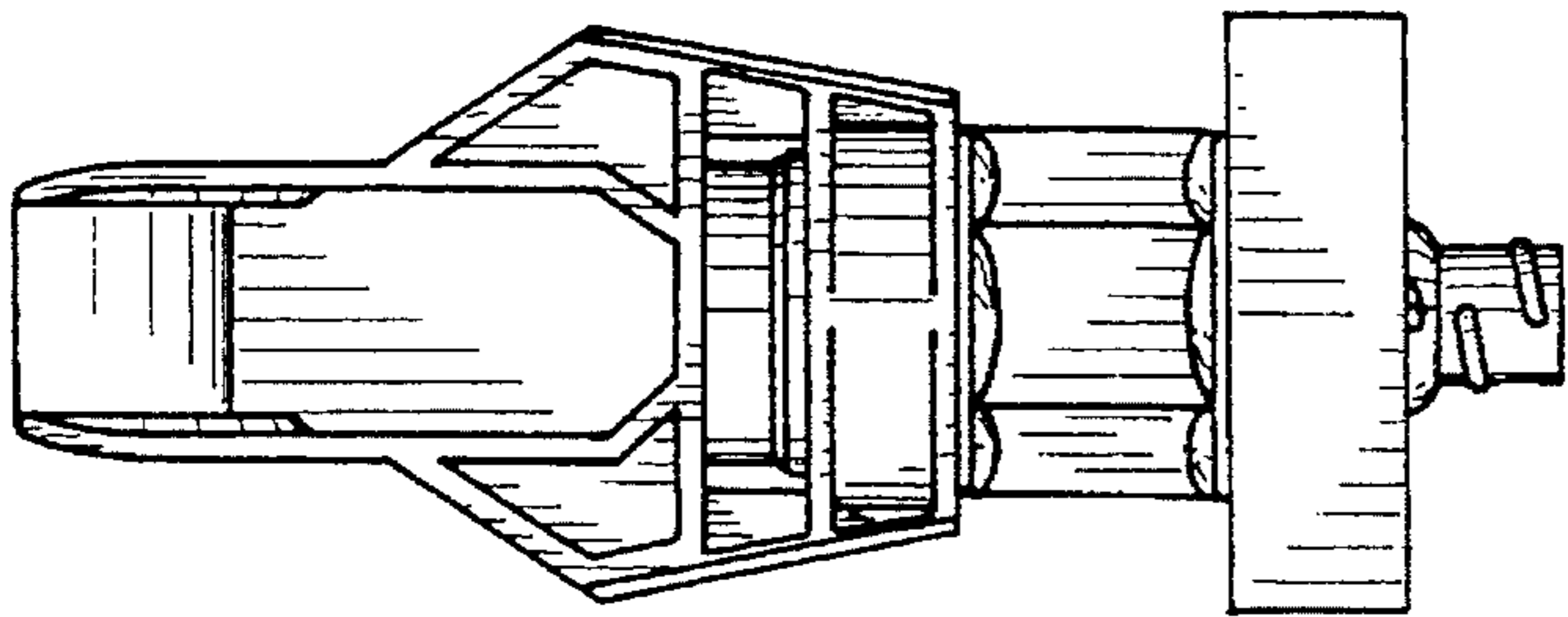


FIG. 3

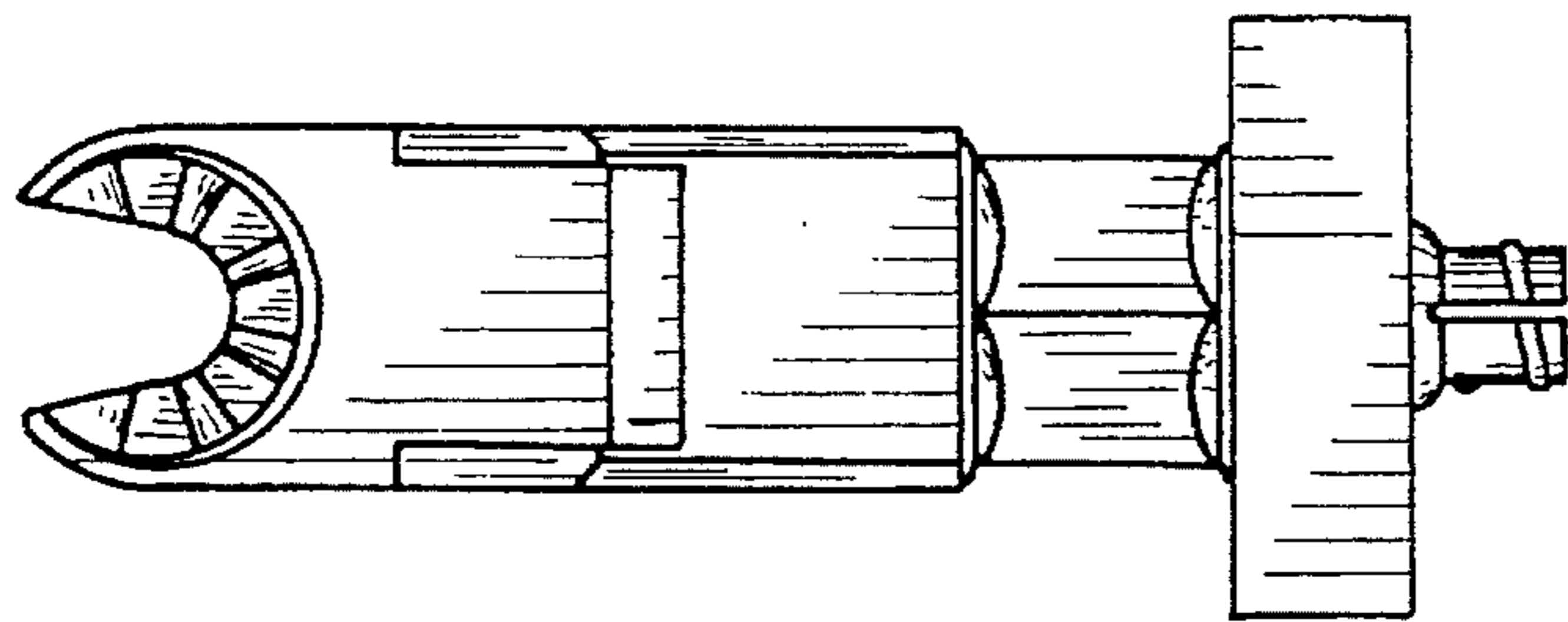


FIG. 4

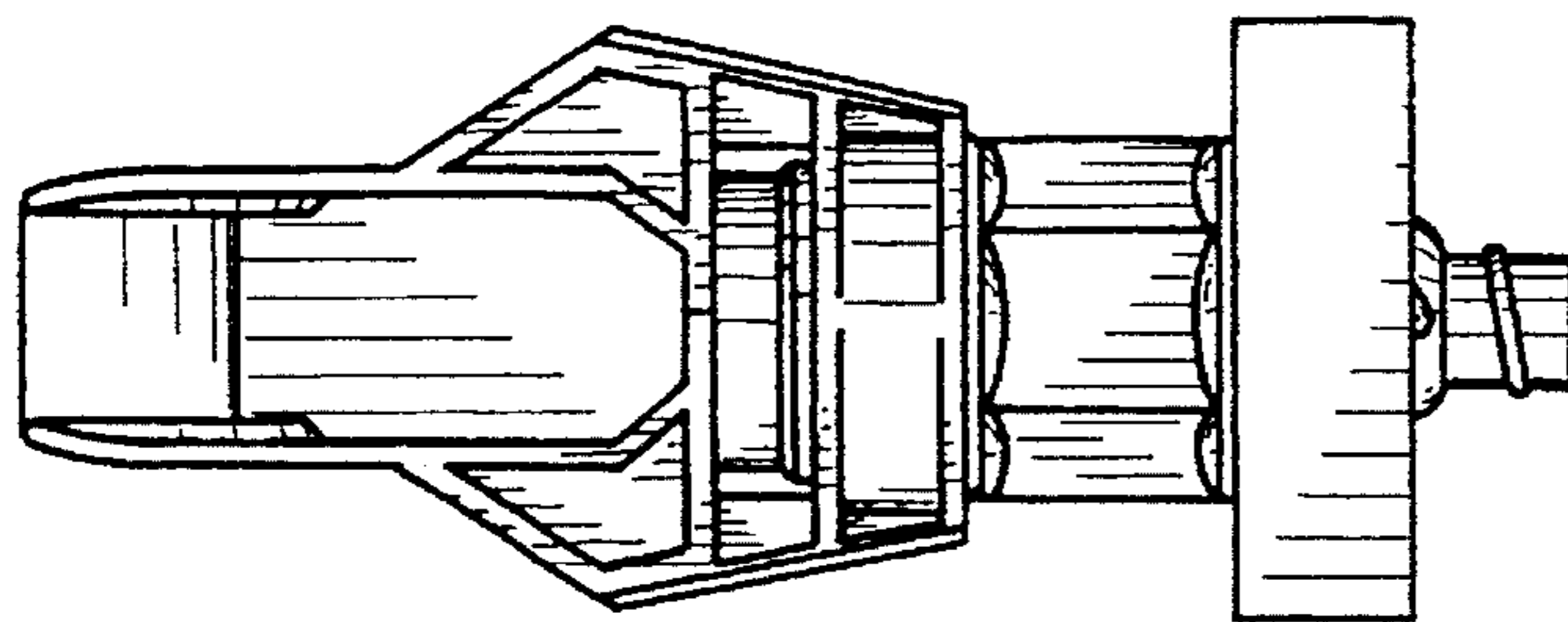


FIG. 5

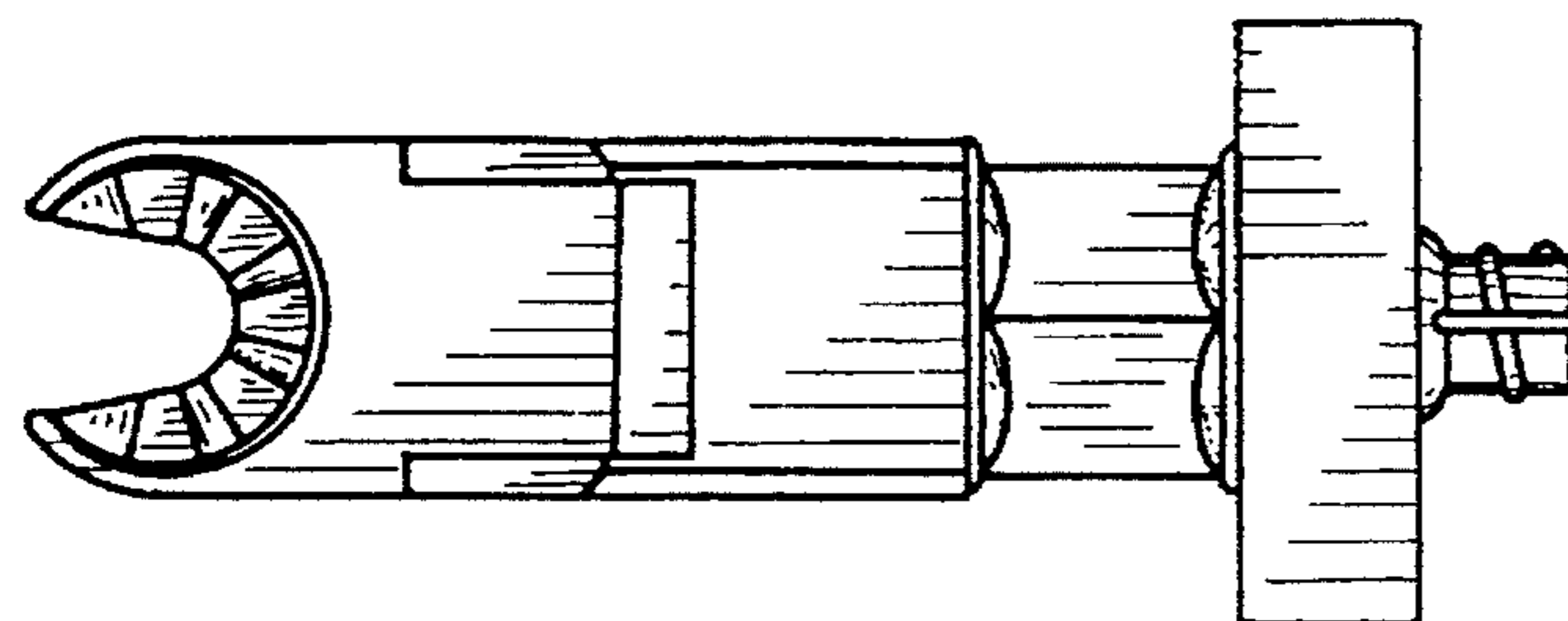


FIG. 6

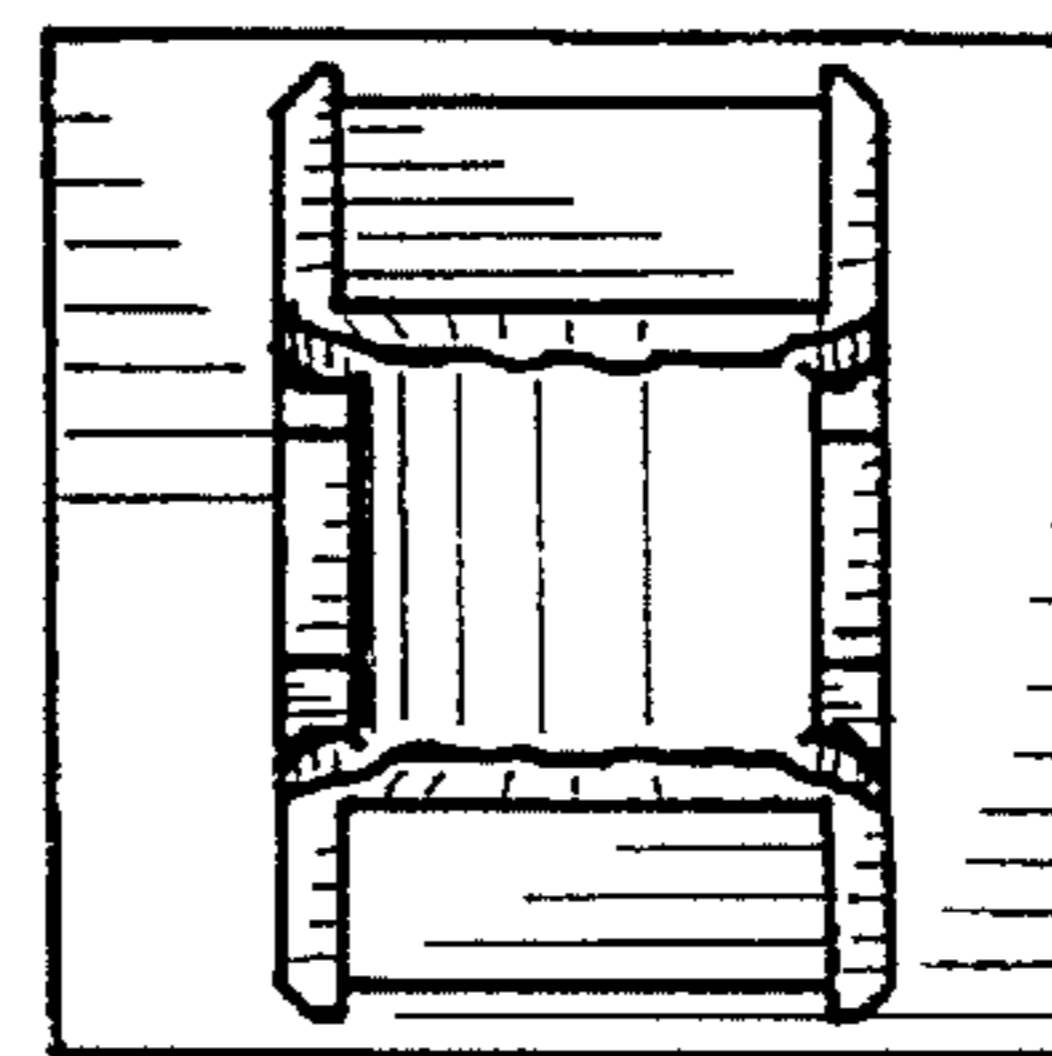


FIG. 8

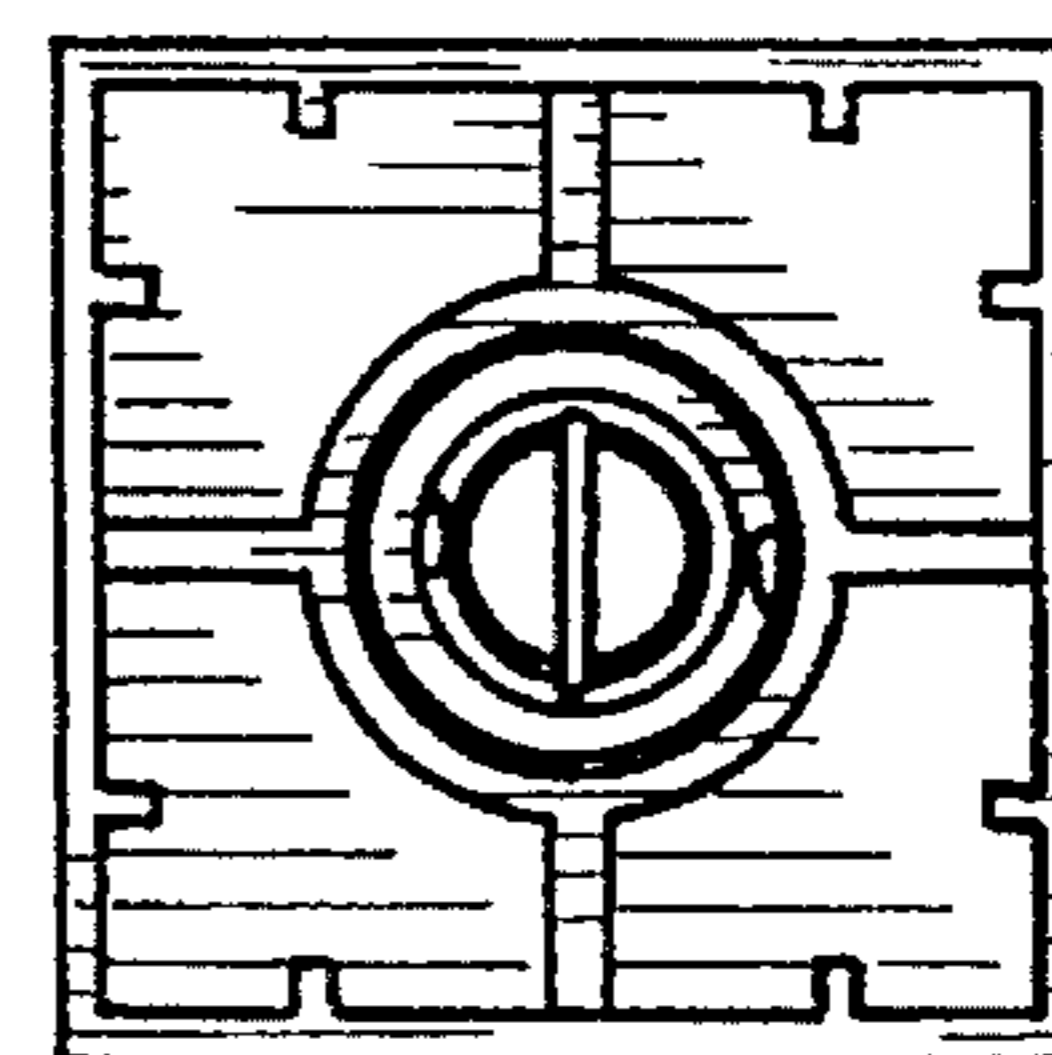


FIG. 7