



US00D363509S

# United States Patent [19]

[11] Patent Number: **Des. 363,509**

Parekh et al.

[45] Date of Patent: **\*\*Oct. 24, 1995**

[54] **ORGANIZER AND STORAGE CASE FOR OFFICE AND SCHOOL SUPPLIES**

[76] Inventors: **D. G. Parekh; Monica Parekh; Parag Parekh**, all of 9 W. Spring Way, Lutherville Tinonium, Md. 21093

[\*\*] Term: **14 Years**

[21] Appl. No.: **28,317**

[22] Filed: **Sep. 12, 1994**

[52] U.S. Cl. .... **D19/75; D19/77; D19/83; D3/295; D3/206**

[58] Field of Search ..... D9/423, 341, 345, D9/456; 401/195; D3/206, 201, 283, 284, 281, 296; D19/35, 36, 65, 75, 77, 78, 81-85, 96, 99, 100; 206/214, 224, 371, 572, 1.7-1.8, 572; 211/69.1-69.9

[56] **References Cited**

**U.S. PATENT DOCUMENTS**

D. 27,519	8/1897	Graessle .....	D19/96 X
D. 188,819	9/1960	Parkor et al. ....	D9/423
D. 205,580	8/1966	Schurman .....	D3/281
D. 250,653	12/1978	Tiedemann .....	D19/85
D. 250,973	1/1979	Ramsey .....	D3/274
D. 270,845	10/1983	Hansen .....	D19/85
D. 275,406	9/1984	Battle .....	D19/85

D. 283,561	4/1986	Geist .....	D3/296
D. 286,551	11/1986	Satterfield .....	D19/82
D. 286,552	11/1986	Satterfield .....	D19/82
D. 302,026	7/1989	Tu .....	D19/75
D. 313,818	1/1991	Moore .....	D19/83
D. 334,948	4/1993	Kirchner .....	D19/85
D. 357,034	4/1995	King .....	D19/77
4,595,102	6/1986	Cianci et al. ....	D6/572

**FOREIGN PATENT DOCUMENTS**

2539675	7/1984	France .....	401/195
---------	--------	--------------	---------

*Primary Examiner*—Martie Thompson  
*Attorney, Agent, or Firm*—Kevin A. Sembrat

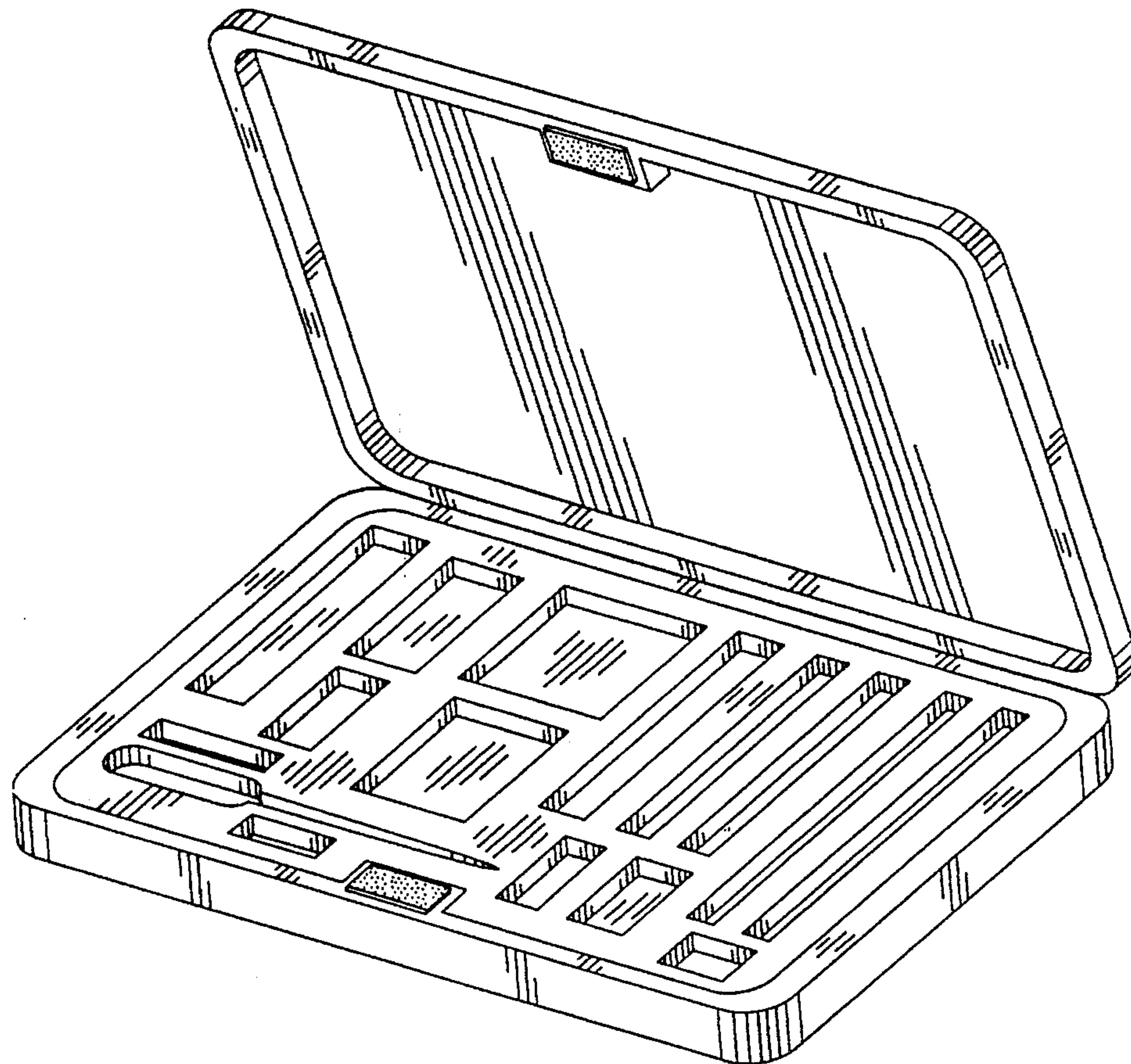
[57] **CLAIM**

The ornamental design for an organizer and storage case for office and school supplies, as shown and described.

**DESCRIPTION**

FIG. 1 is a top and side perspective view of an organizer and storage case for office and school supplies showing our design, with a hinge lid in an open position; FIG. 2 is a top, front, and right side perspective view thereof with the left side constituting a mirror-image of the right side, shown with the lid in a closed position; and, FIG. 3 is a bottom, rear, and right side perspective view thereof, shown with the lid in an open position.

**1 Claim, 2 Drawing Sheets**



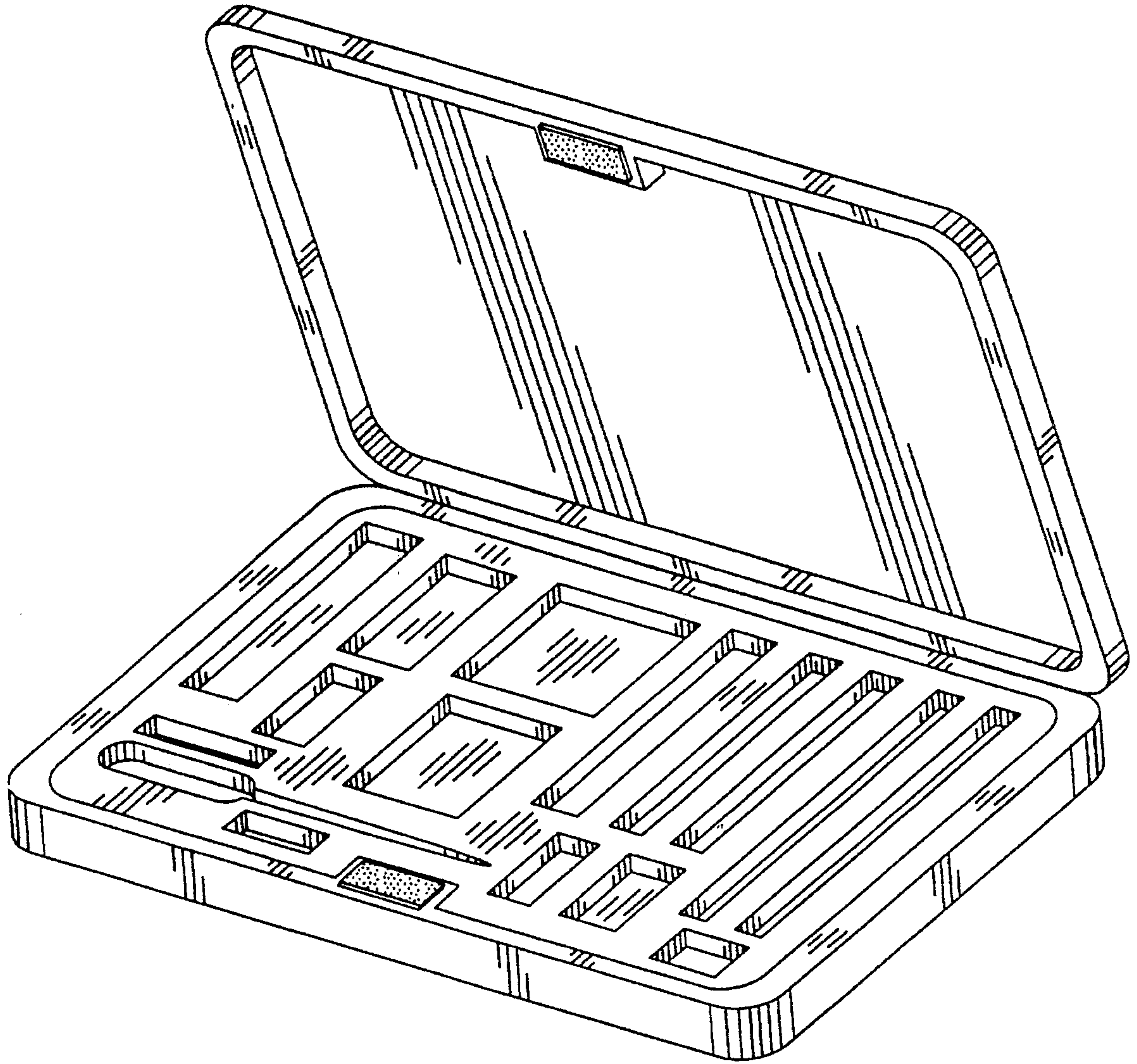


Fig. 1



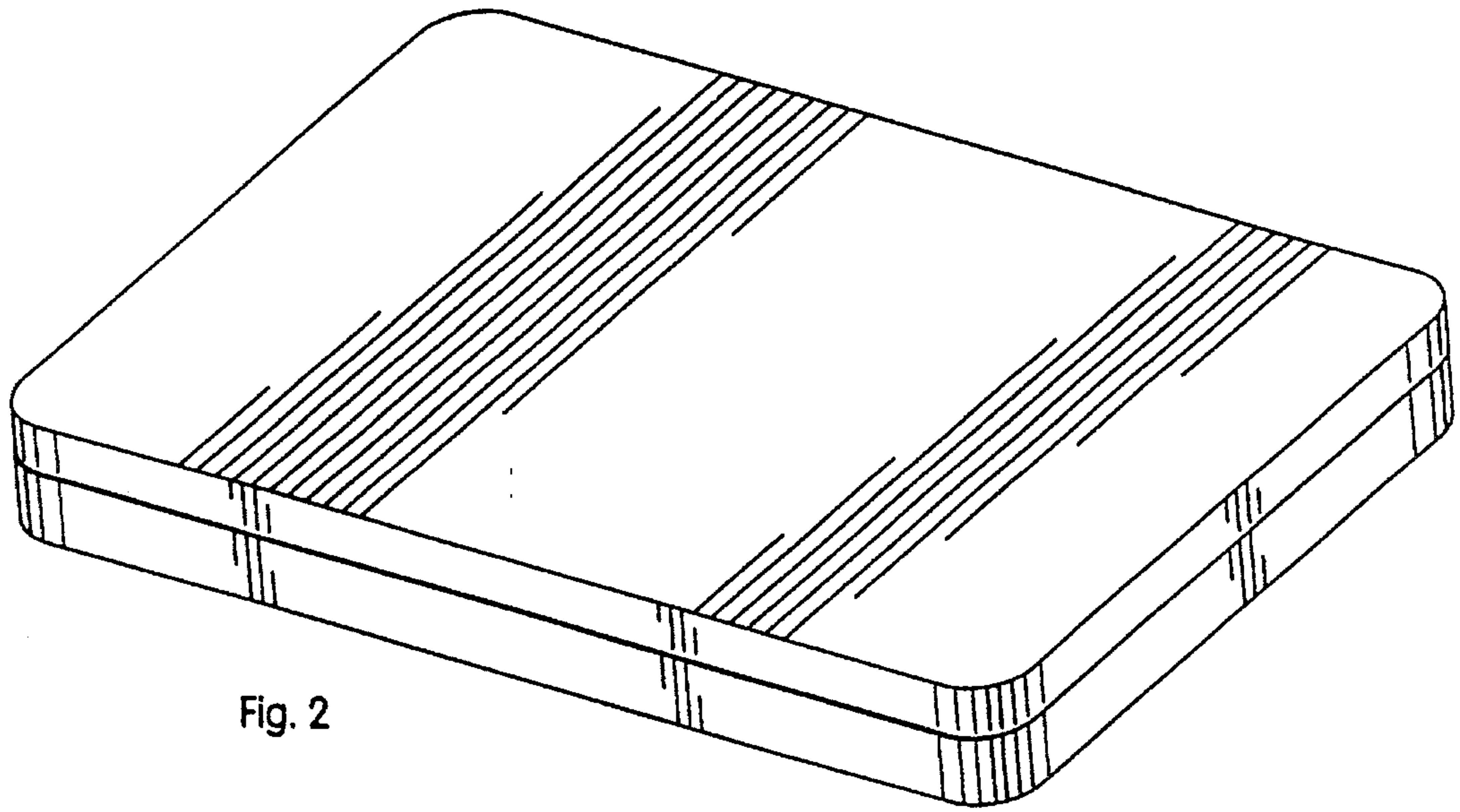


Fig. 2

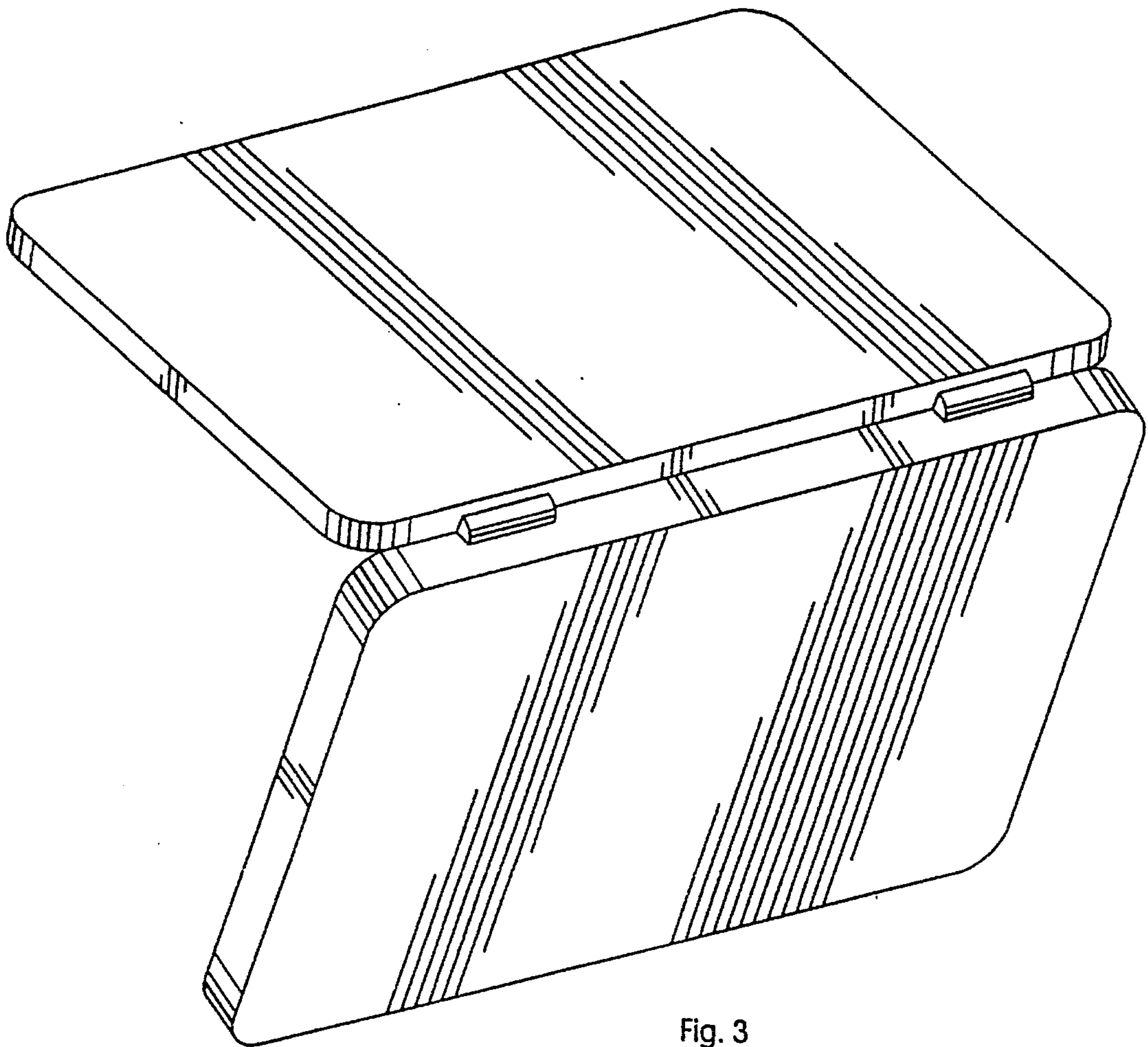


Fig. 3