



US00D363507S

United States Patent [19]

[11] Patent Number: **Des. 363,507**

Kashino et al.

[45] Date of Patent: ***** Oct. 24, 1995**

[54] **INK CARTRIDGE FOR PRINTER**
[75] Inventors: **Toshio Kashino**, Chigasaki; **Hiroki Tajima**, Kawasaki, both of Japan

4,940,997 7/1990 Hamlin et al. 347/87
5,119,115 6/1992 Buat et al. 347/86
5,138,344 8/1992 Ujita 347/86
5,155,502 10/1992 Kimura et al. 347/87
5,262,802 11/1993 Karita et al. 347/87

[73] Assignee: **Canon Kabushiki Kaisha**, Tokyo, Japan

FOREIGN PATENT DOCUMENTS

[*] Notice: The portion of the term of this patent subsequent to Aug. 10, 2007 has been disclaimed.

1244862 9/1989 Japan 347/87
0490579 6/1992 Japan 347/87

[**] Term: **14 Years**

Primary Examiner—Cathy Anne MacCormac
Attorney, Agent, or Firm—Fitzpatrick, Cella, Harper & Scinto

[21] Appl. No.: **12,897**

[57] CLAIM

[22] Filed: **Sep. 14, 1993**

The ornamental design for an ink cartridge for printer, as shown and described.

[30] Foreign Application Priority Data

DESCRIPTION

Mar. 17, 1993 [JP] Japan 5-7583
[52] U.S. Cl. **D18/56**; 347/87
[58] Field of Search 347/86-87, 43; D18/56

FIG. 1 is a front elevational view of an ink cartridge showing for printer new design;
FIG. 2 is a rear elevational view thereof;
FIG. 3 is a top plan view thereof;
FIG. 4 is a bottom plan view thereof;
FIG. 5 is a left side elevational view thereof;
FIG. 6 is a right side elevational view thereof; and,
FIG. 7 is a perspective view thereof.

[56] References Cited

U.S. PATENT DOCUMENTS

D. 313,427 1/1991 Saeki D18/56
D. 338,235 8/1993 Komada et al. D18/56
4,931,811 6/1990 Cowger et al. 347/87

1 Claim, 3 Drawing Sheets

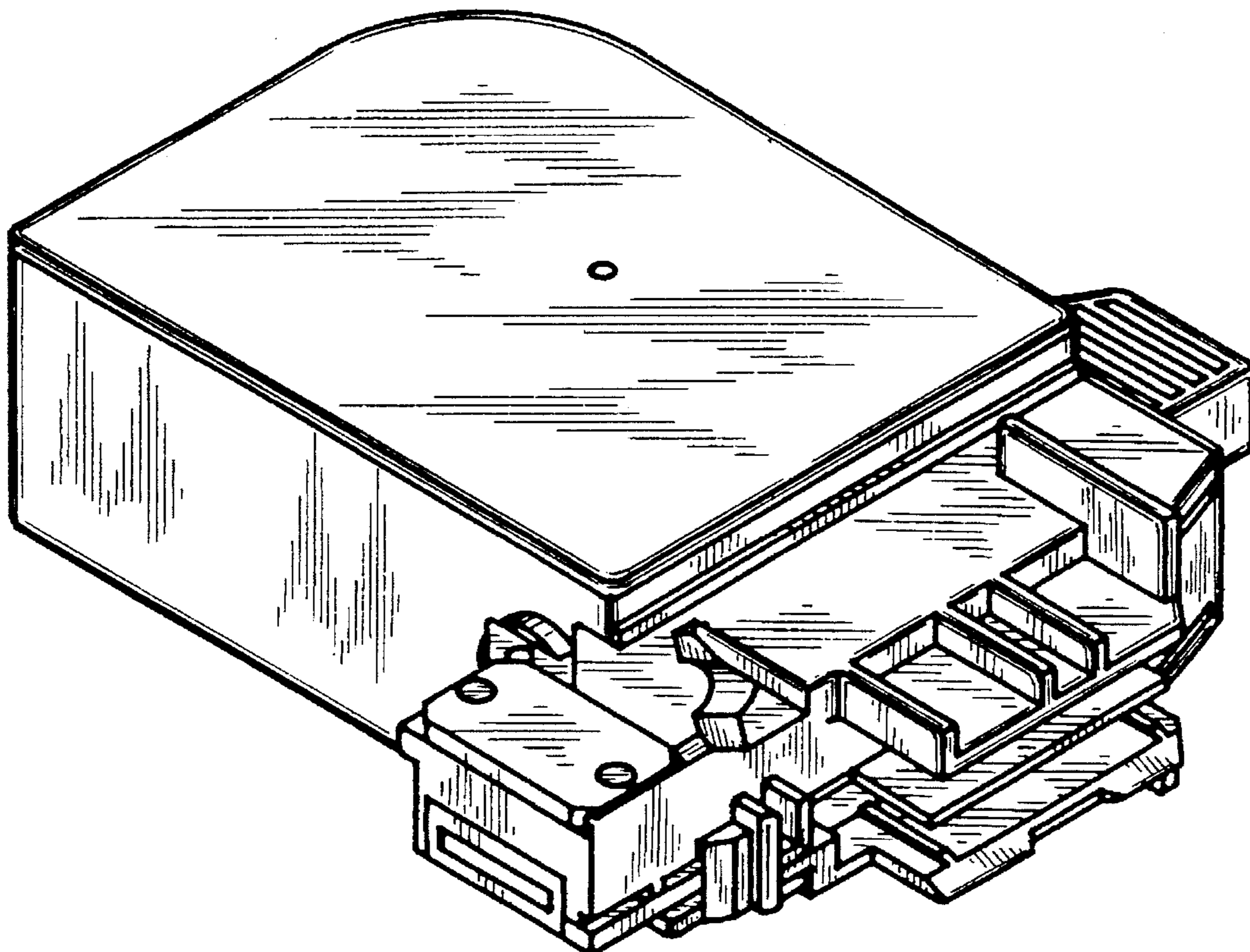


FIG. 1

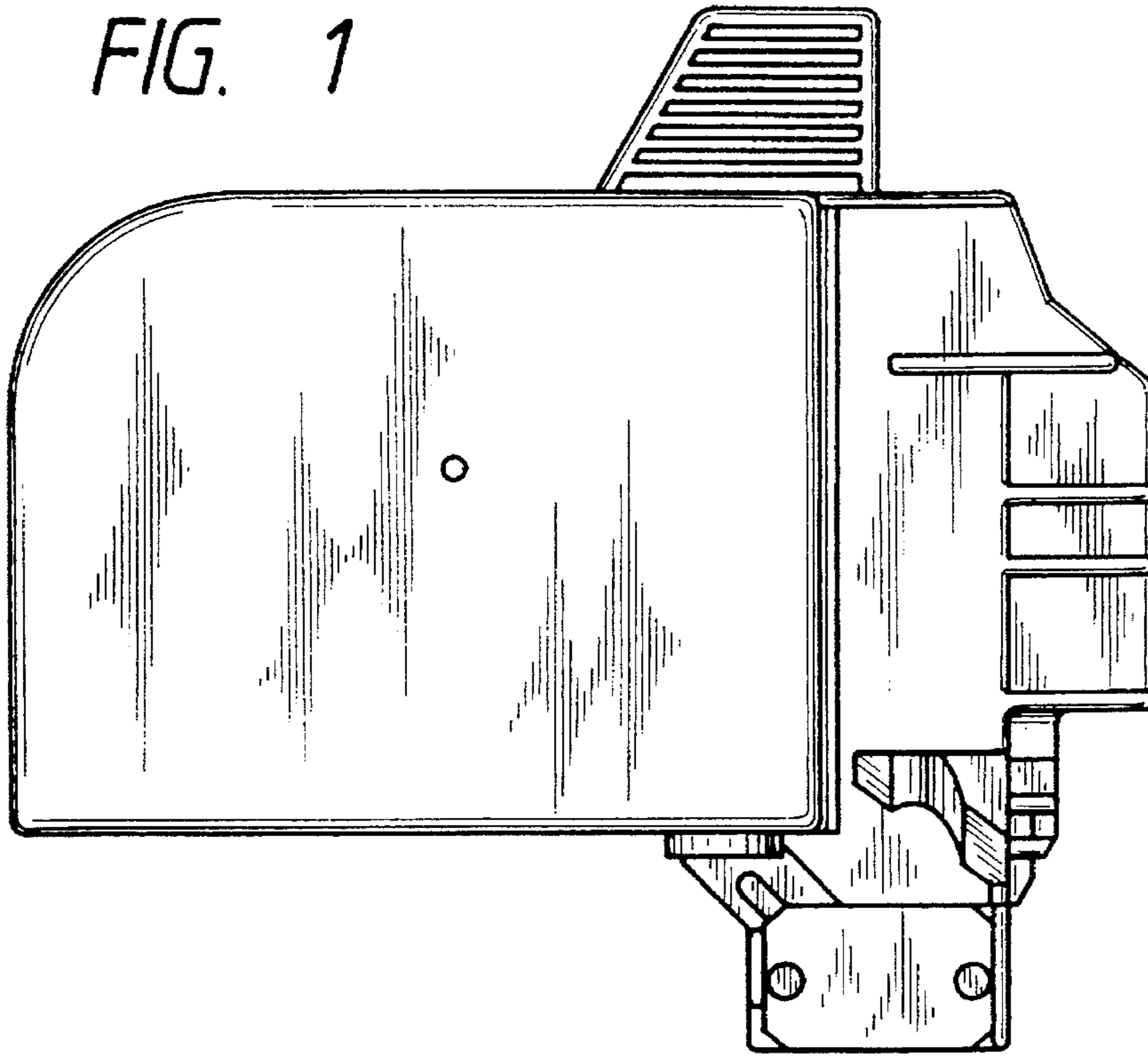


FIG. 2

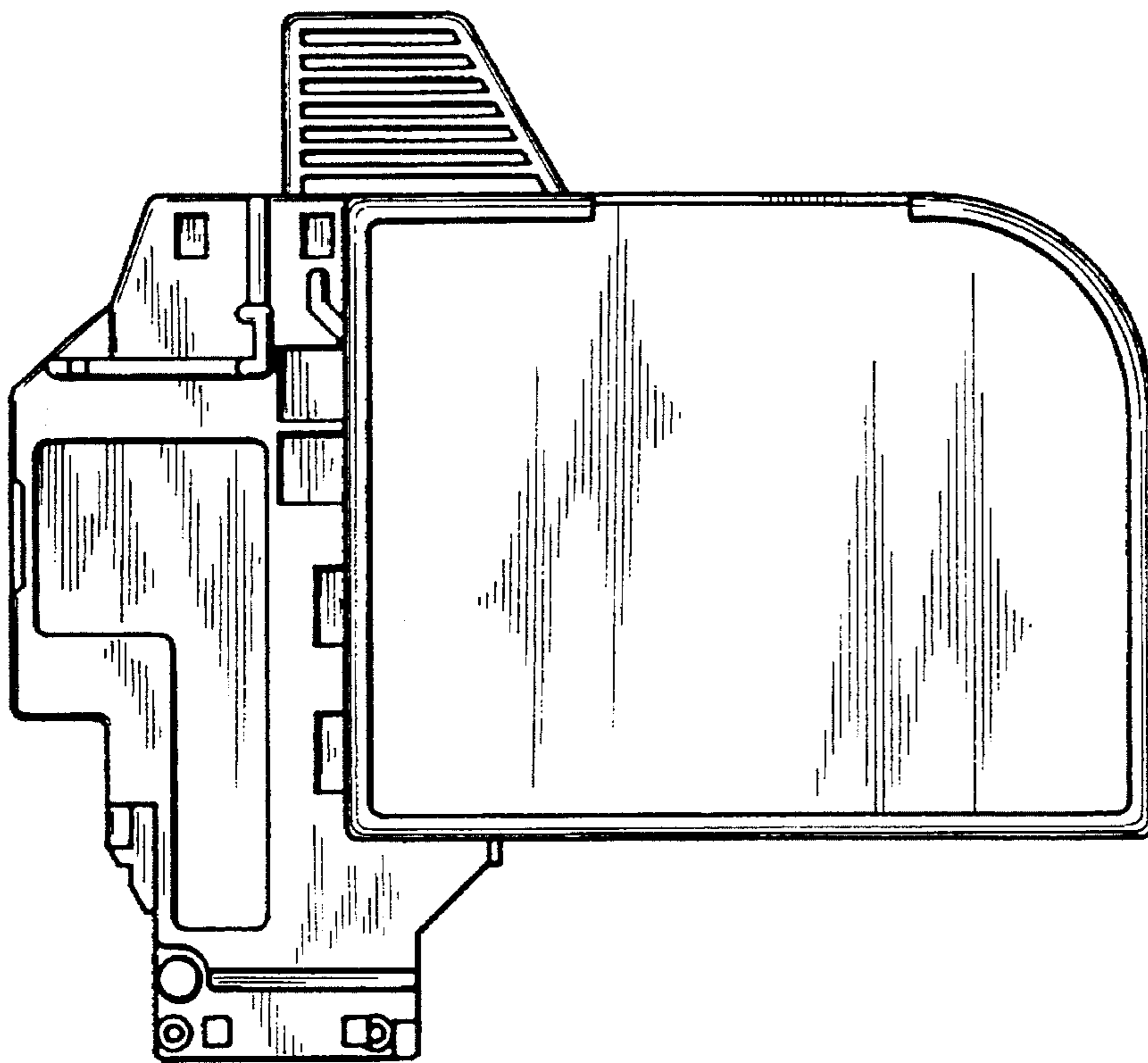


FIG. 3

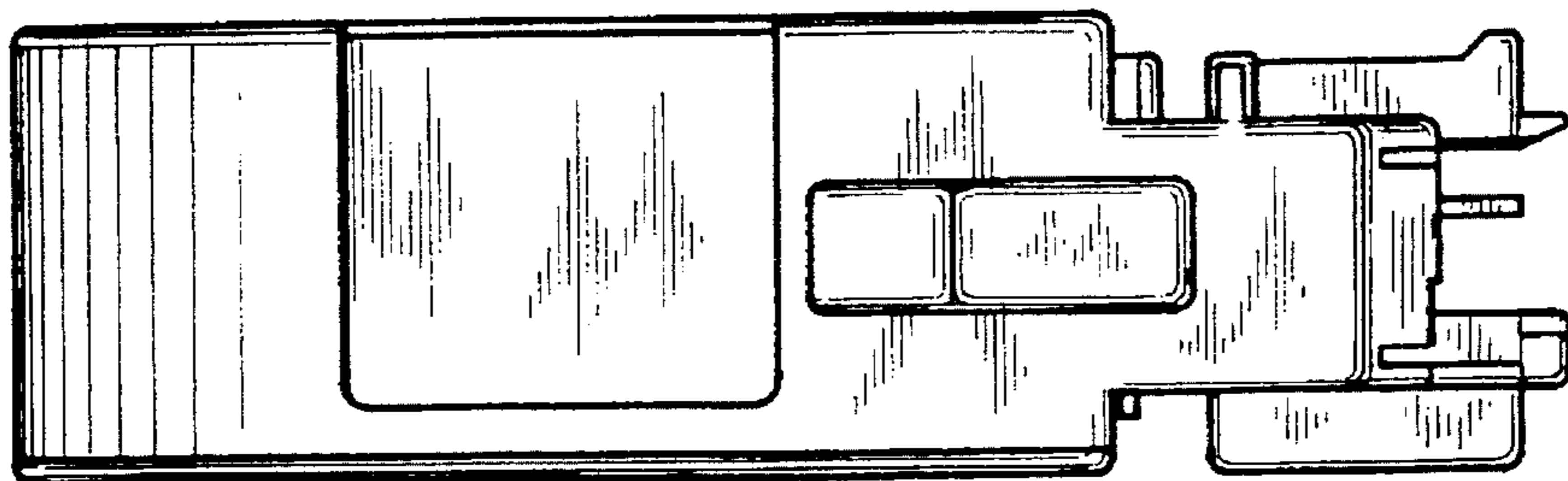


FIG. 4

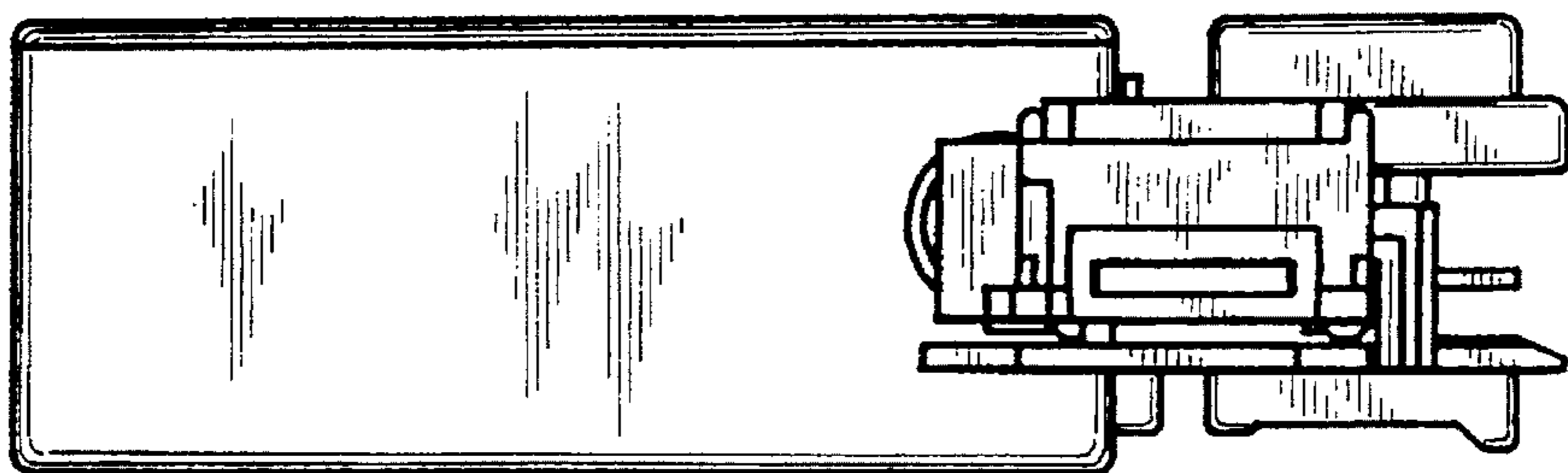


FIG. 5

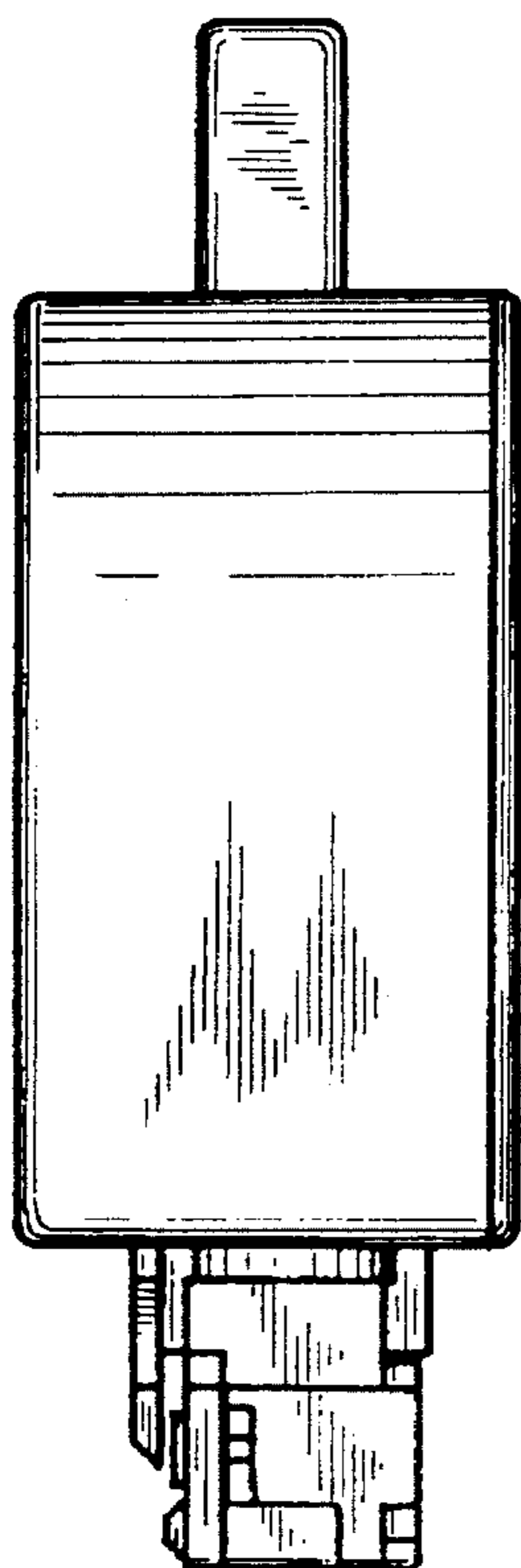


FIG. 6

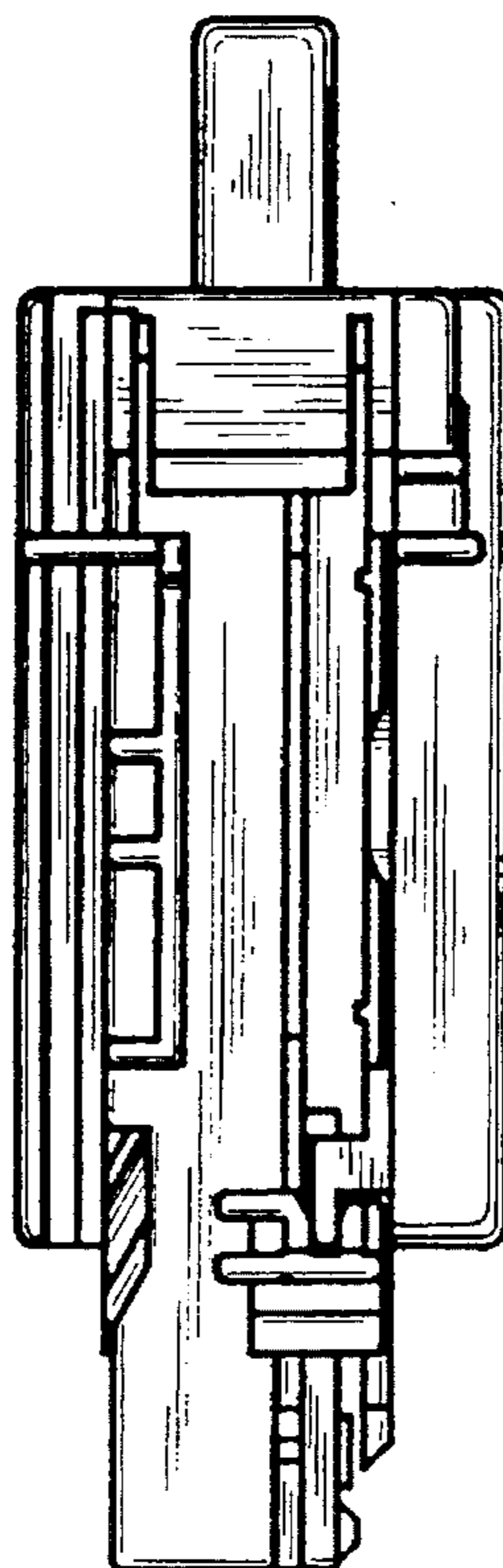
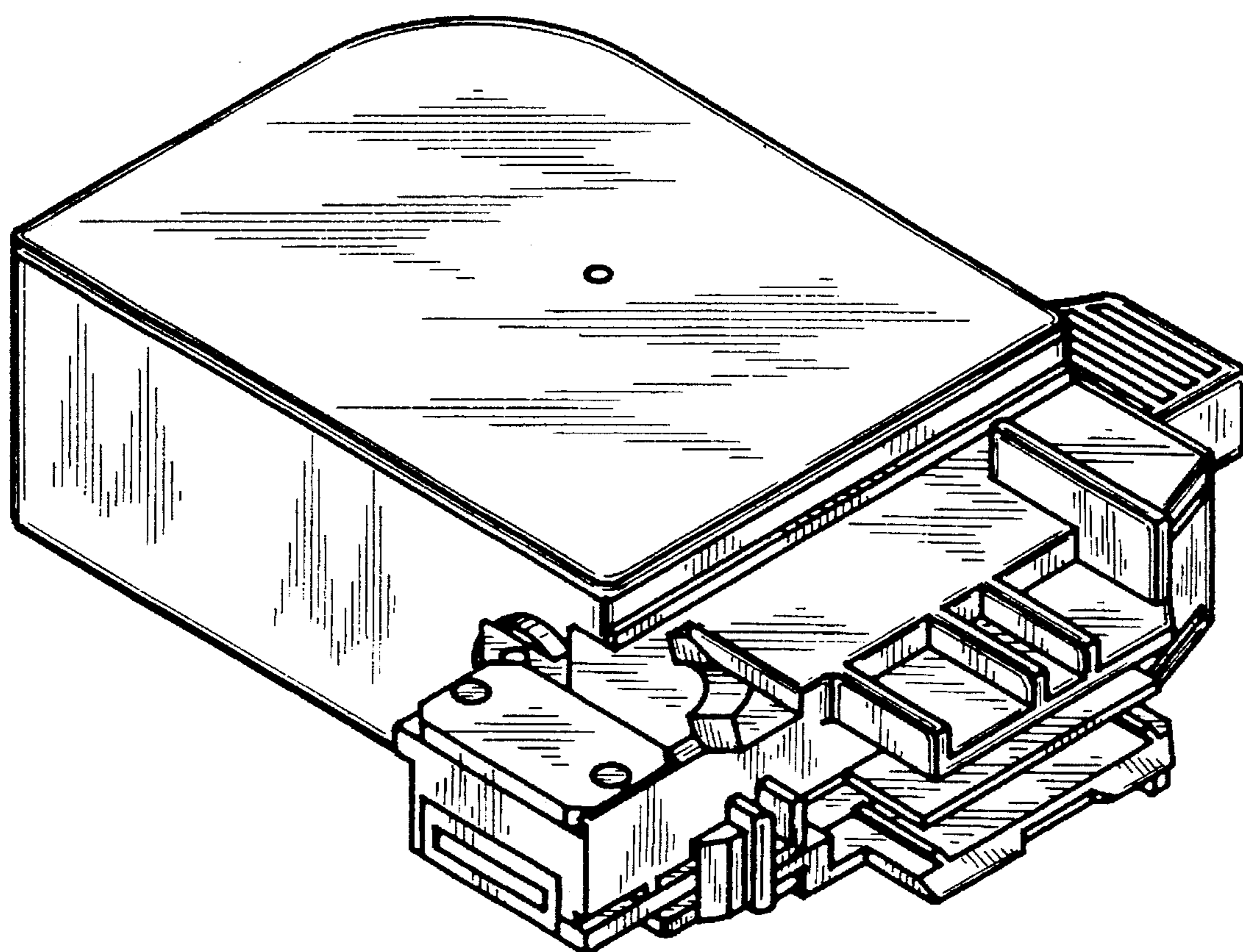


FIG. 7



UNITED STATES PATENT AND TRADEMARK OFFICE
CERTIFICATE OF CORRECTION

PATENT NO. : Des. 363,507
DATED : October 24, 1995
INVENTOR(S) : Kashino et al.

It is certified that error appears in the above-identified patent and that said Letters Patent is hereby corrected as shown below:

On the title page, item

[57] DESCRIPTION OF FIG. 1

"showing for printer" should read --for printer showing
our--

Signed and Sealed this
Sixteenth Day of April, 1996



BRUCE LEHMAN

Commissioner of Patents and Trademarks

Attest:

Attesting Officer