



US00D363503S

United States Patent [19]

Ina

[11] Patent Number: **Des. 363,503**

[45] Date of Patent: ****Oct. 24, 1995**

[54] COMPACT CAMERA

[75] Inventor: **Takao Ina**, Tokyo, Japan

[73] Assignee: **Fuji Photo Film Co., Ltd.**, Kanagawa, Japan

[**] Term: **14 Years**

[21] Appl. No.: **27,479**

[22] Filed: **Aug. 22, 1994**

[30] Foreign Application Priority Data

Feb. 22, 1994 [JP] Japan 6-4296

[52] U.S. Cl. **D16/209**

[58] Field of Search D16/200-205,
D16/208, 209, 216-218; 354/126, 149.11,
195.12, 202, 288

[56] References Cited

U.S. PATENT DOCUMENTS

D. 325,211	4/1992	Leonard	D16/209
D. 345,989	4/1994	Akabane et al.	D16/209
D. 347,444	5/1994	Horikiri	D16/209
D. 351,400	10/1994	Suyama et al.	D16/209
D. 353,153	12/1994	Isozaki	D16/209
4,556,304	12/1985	Fukuda	354/288

FOREIGN PATENT DOCUMENTS

733301	1/1988	Japan .
746191	7/1988	Japan .

OTHER PUBLICATIONS

Popular Photography, Oct. 1988 p. 67 (Olympus Infinity Twin).

Evans Catalog 1988-1989 p. 305Y (Kodak's 35 MM Camera, Item 5).

Primary Examiner—Terry A. Wallace

Assistant Examiner—Adir Aronovich

Attorney, Agent, or Firm—Young & Thompson

[57] CLAIM

The ornamental design for a compact camera, as shown and described.

DESCRIPTION

FIG. 1 is a front, top and side perspective view of a compact camera showing my new design, with a lens cover thereof in the open position;

FIG. 2 is a front elevational view thereof;

FIG. 3 is a rear elevational view thereof;

FIG. 4 is a top plan view thereof;

FIG. 5 is a bottom plan view thereof;

FIG. 6 is an end elevational view thereof from the left of FIG. 2;

FIG. 7 is an end elevational view thereof from the right of FIG. 2; and,

FIG. 8 is a view similar to FIG. 2 but with the lens cover thereof in a closed position.

1 Claim, 4 Drawing Sheets •

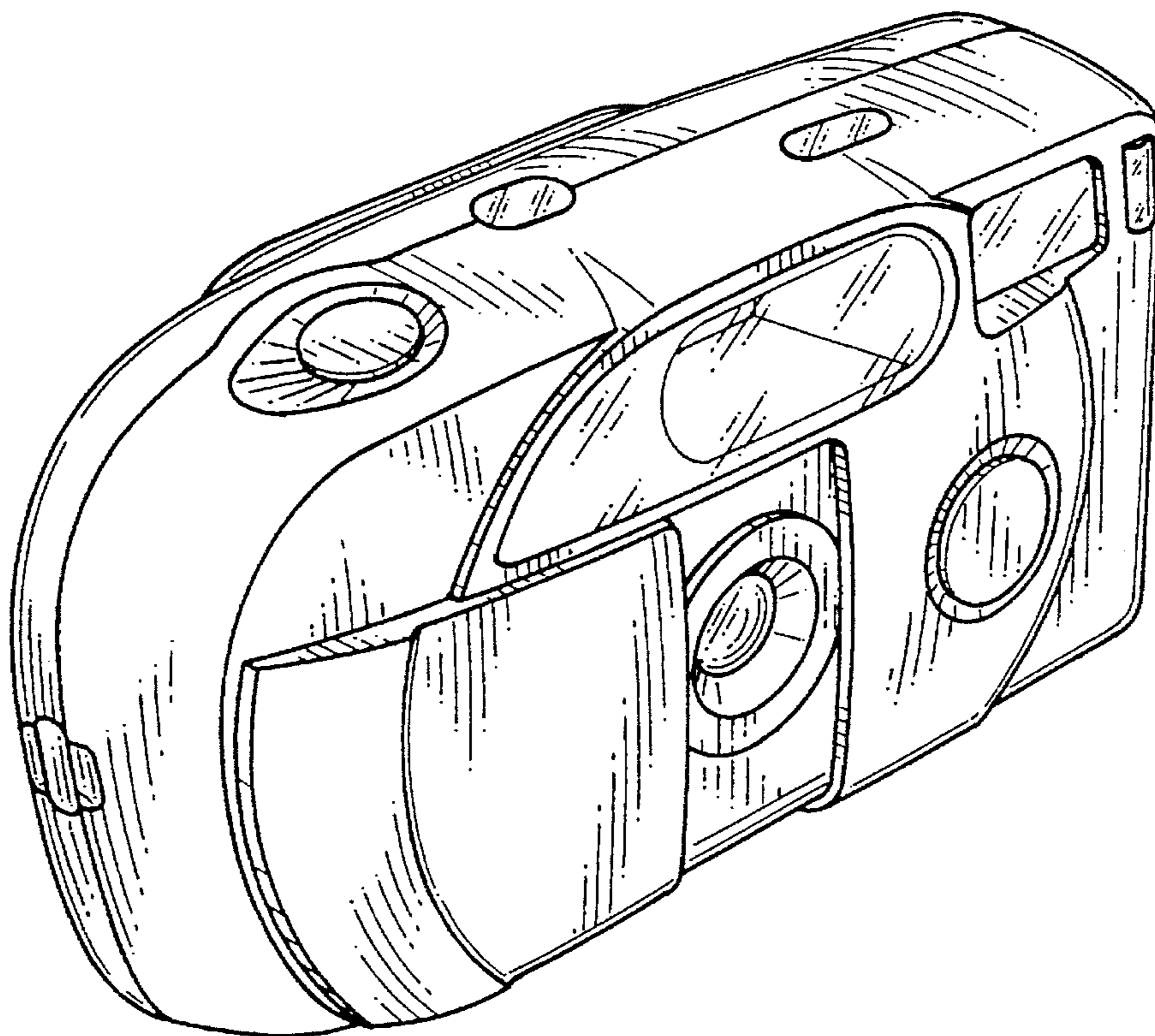


FIG. 1

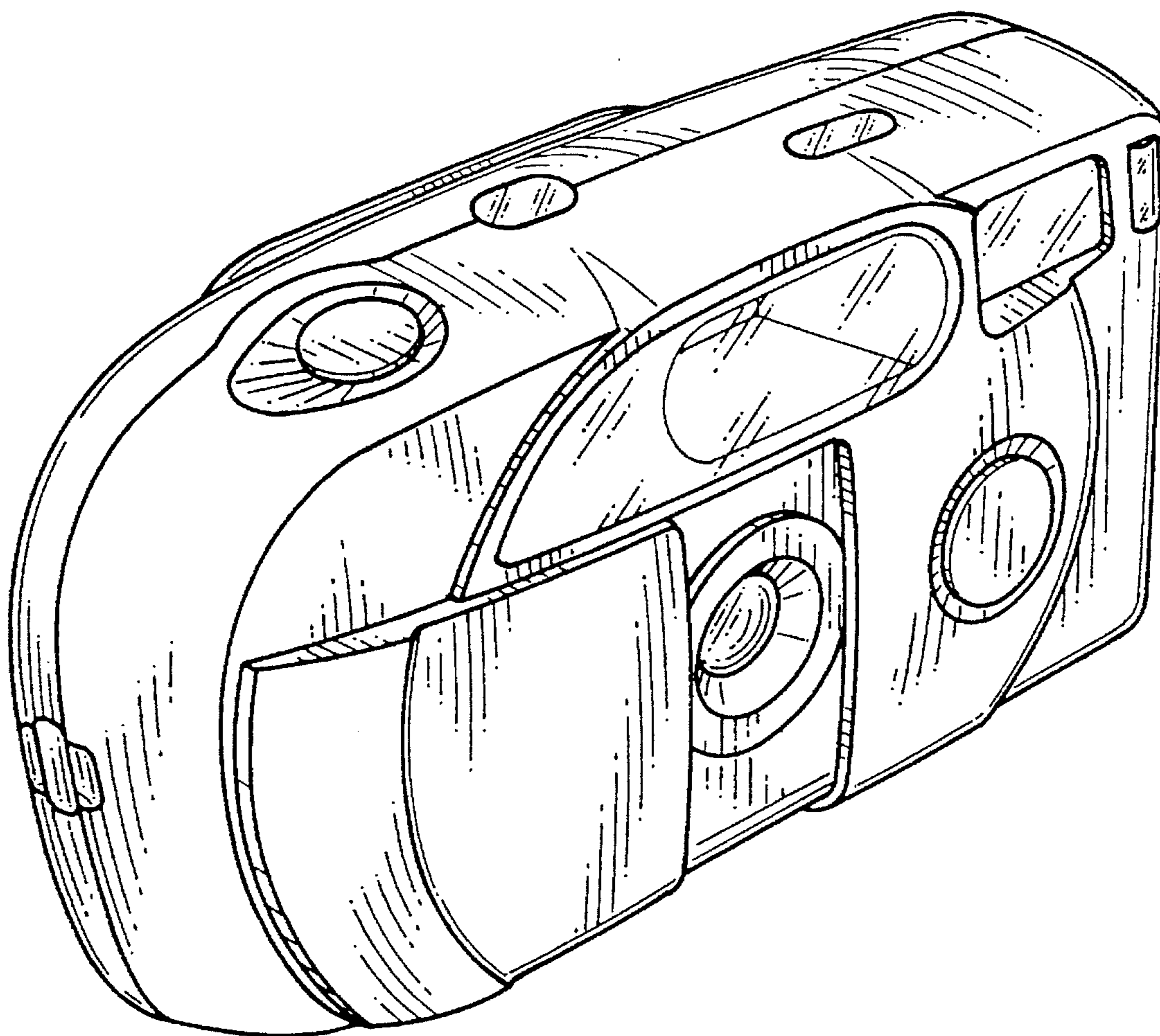


FIG. 2

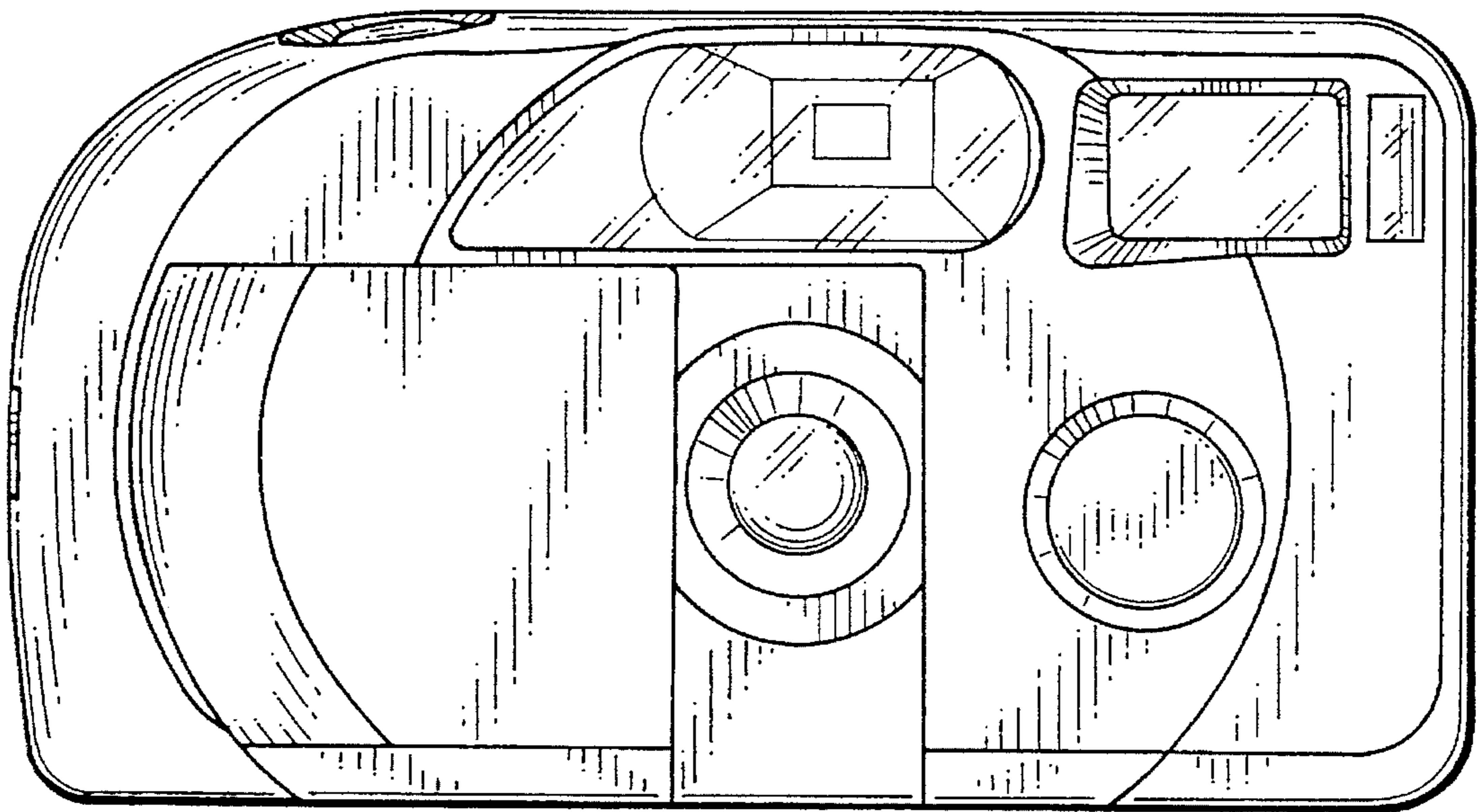


FIG. 3

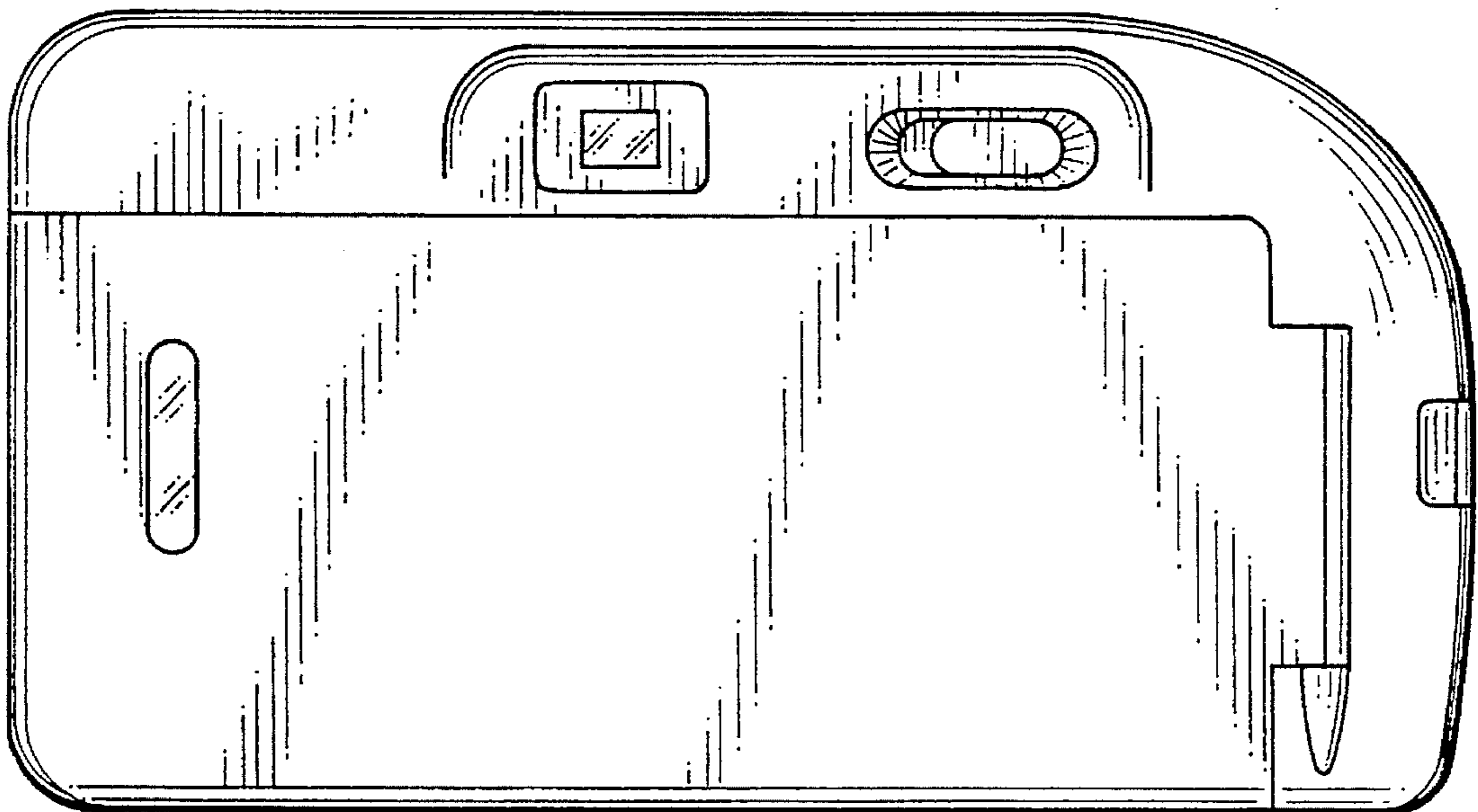


FIG. 4

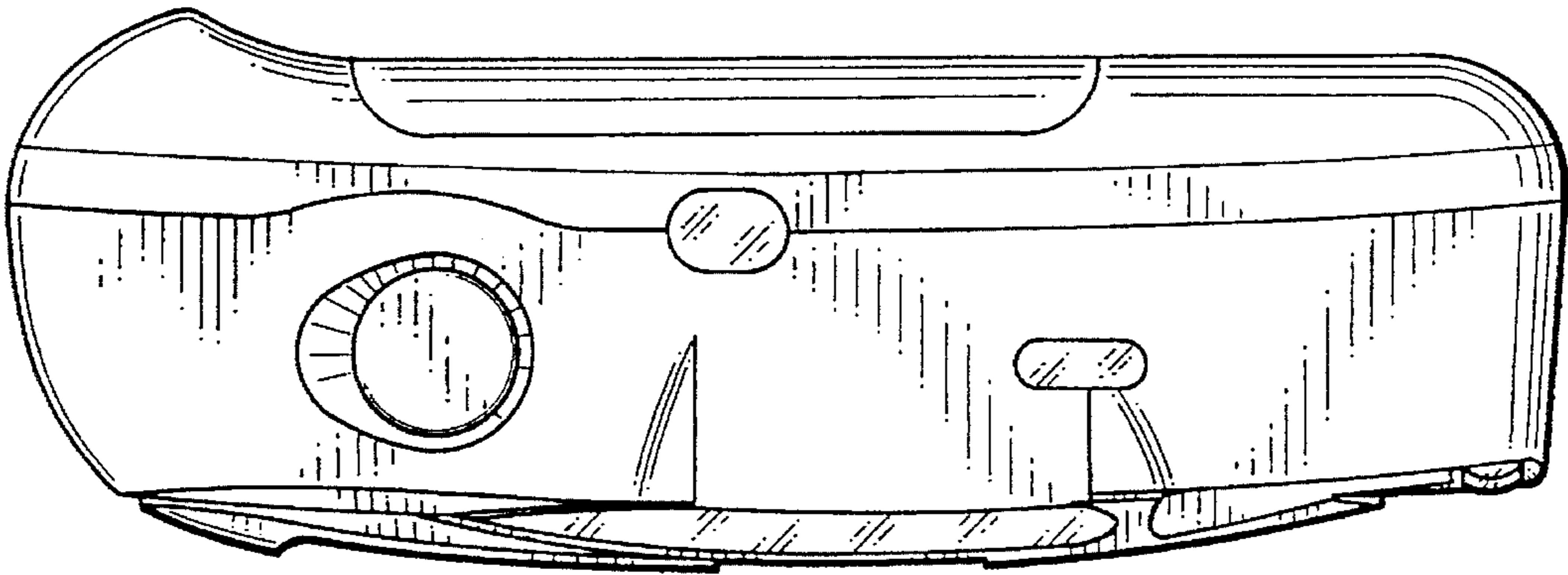


FIG. 5

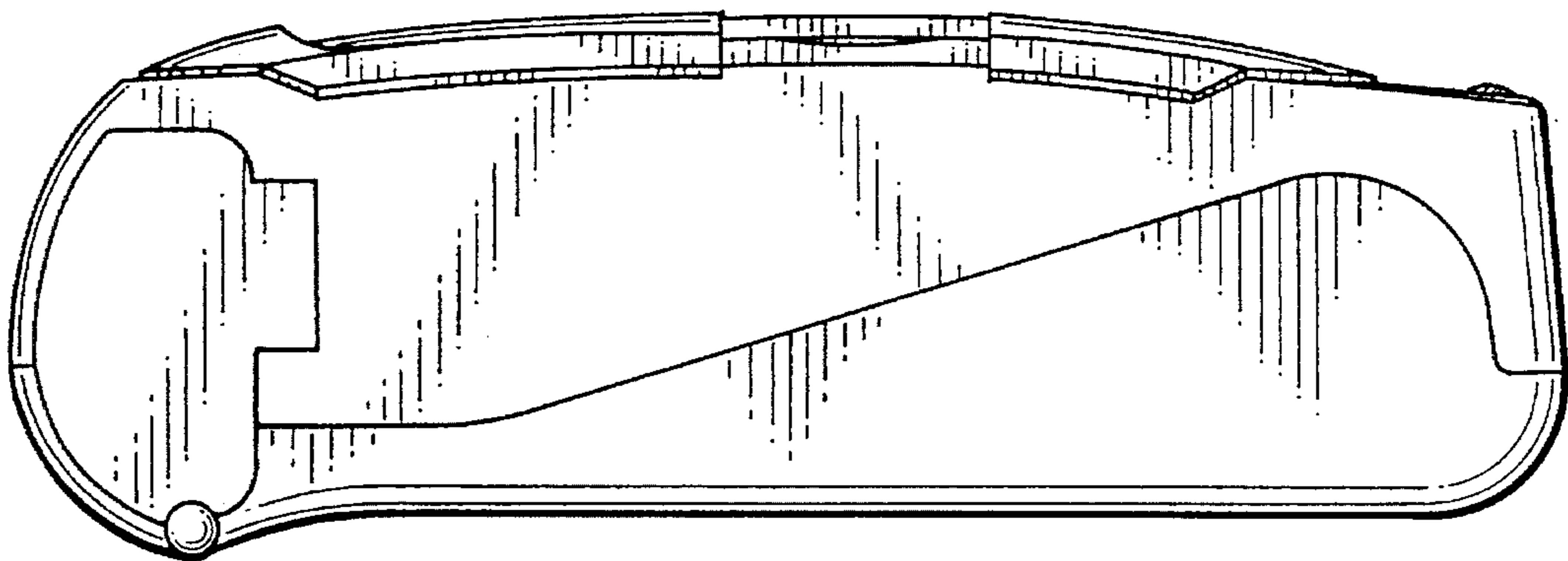


FIG. 6

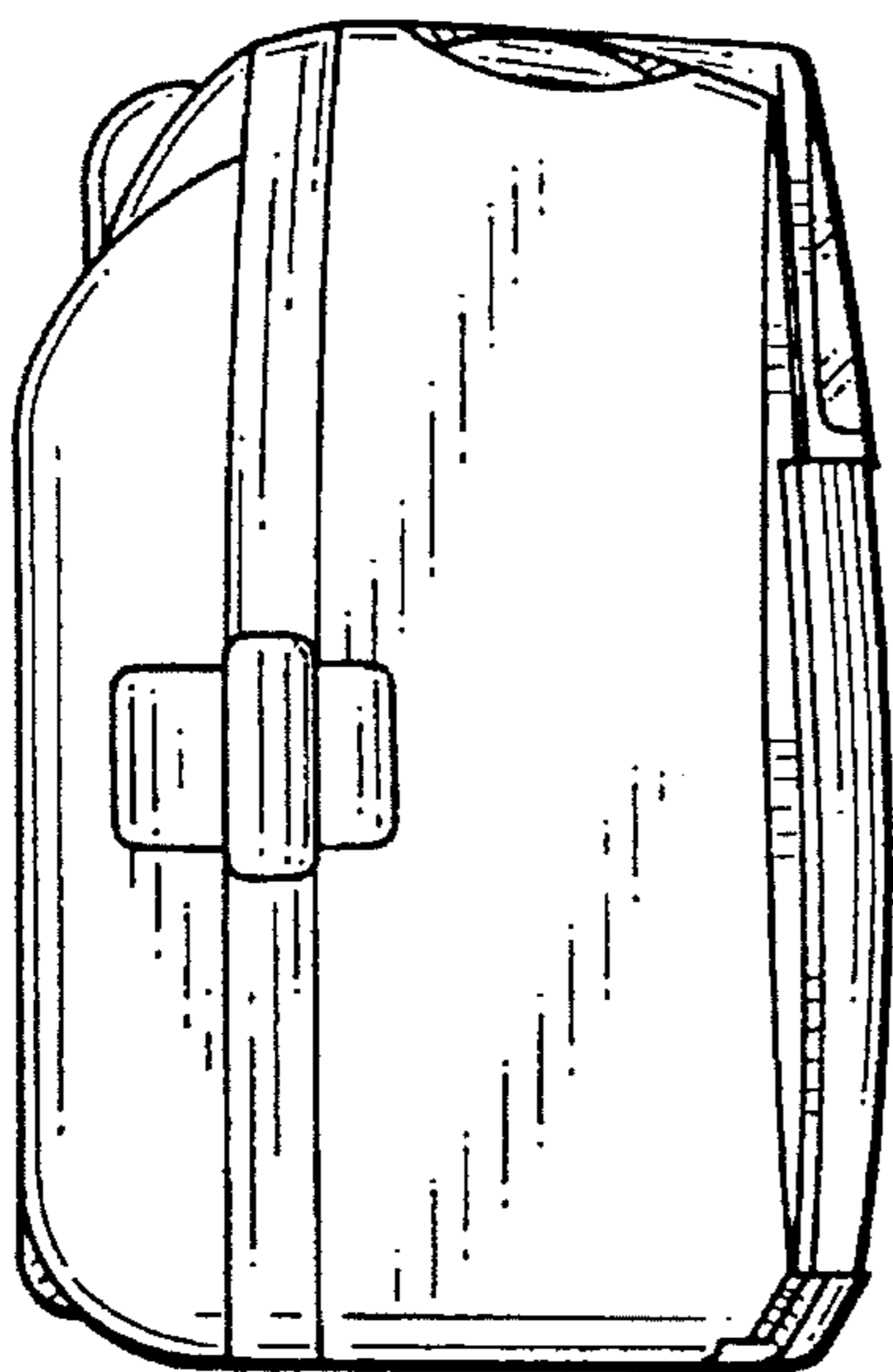


FIG. 7

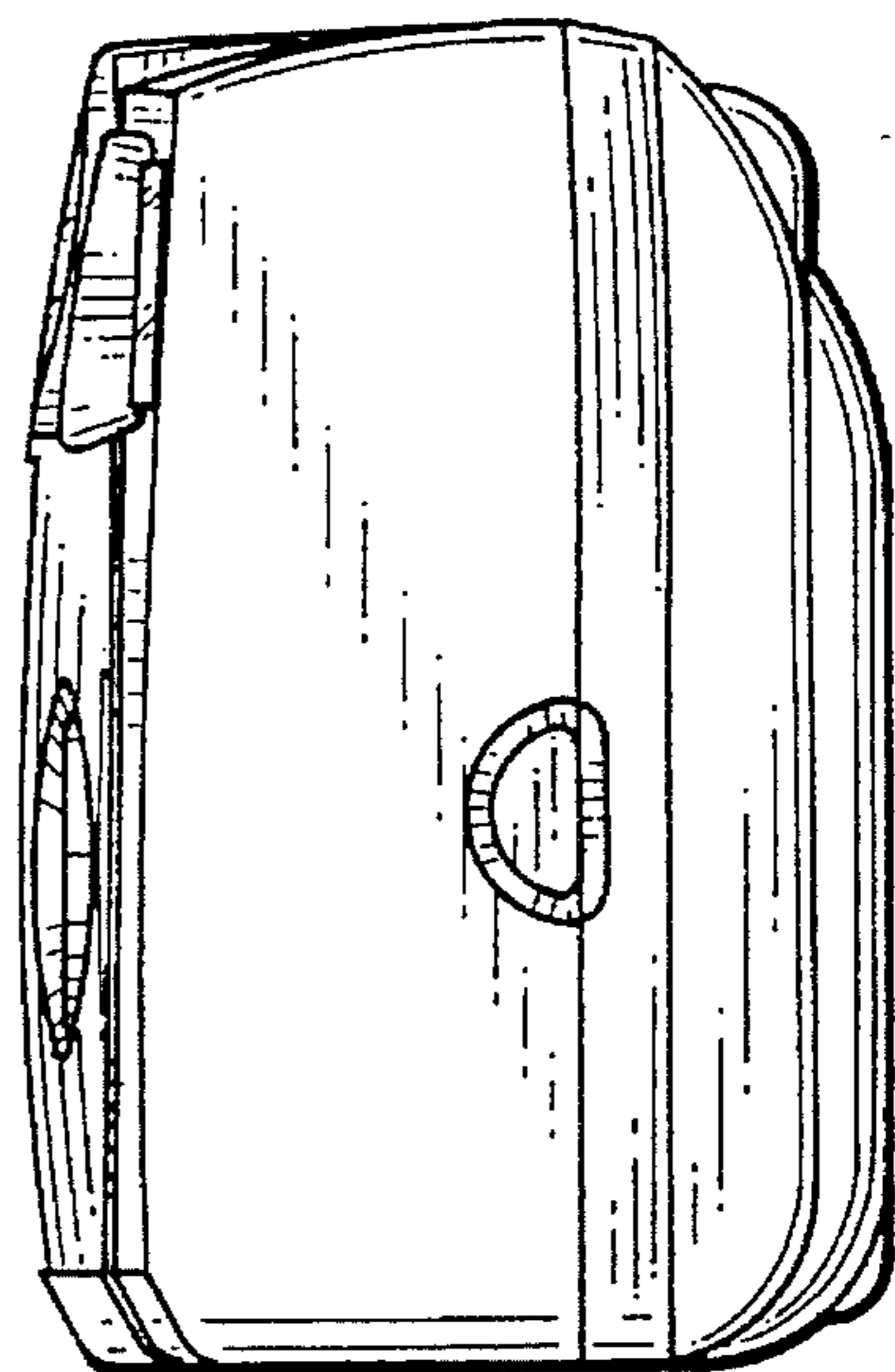


FIG. 8

