



US00D363502S

United States Patent [19]

MacMurtrie et al.

[11] Patent Number: **Des. 363,502**

[45] Date of Patent: ****Oct. 24, 1995**

[54] **MONITOR MOUNTED VIDEO CAMERA**

[75] Inventors: **Karen M. MacMurtrie**, Austin, Tex.;
Douglas E. Goodner, Fishers, Ind.

[73] Assignee: **International Business Machines Corporation**, Armonk, N.Y.

[**] Term: **14 Years**

[21] Appl. No.: **30,841**

[22] Filed: **Nov. 9, 1994**

[52] U.S. Cl. **D16/202**

[58] Field of Search D16/200-205;
348/11-20; 354/81, 288; 358/906; 379/53;
H04N 5/225

[56] **References Cited**

U.S. PATENT DOCUMENTS

D. 307,029	4/1990	Tominaga et al.	D16/203
D. 339,149	9/1993	Nakamura et al.	D16/202
D. 349,907	8/1994	Allmendinger	D16/202
5,359,362	10/1994	Lewis et al.	348/20

FOREIGN PATENT DOCUMENTS

4-7982 1/1992 Japan H04N 5/225

OTHER PUBLICATIONS

Teleconference, Nov./Dec. 1986 p. 46.

Primary Examiner—Ted Shooman

Assistant Examiner—Adir Aronovich

Attorney, Agent, or Firm—Casimer K. Salys

[57] **CLAIM**

The ornamental design for the monitor mounted video camera, as shown and described.

DESCRIPTION

FIG. 1 is a front plan view thereof, the lens cover being partially open;

FIG. 2 is a rear plan view thereof;

FIG. 3 is a top plan view thereof;

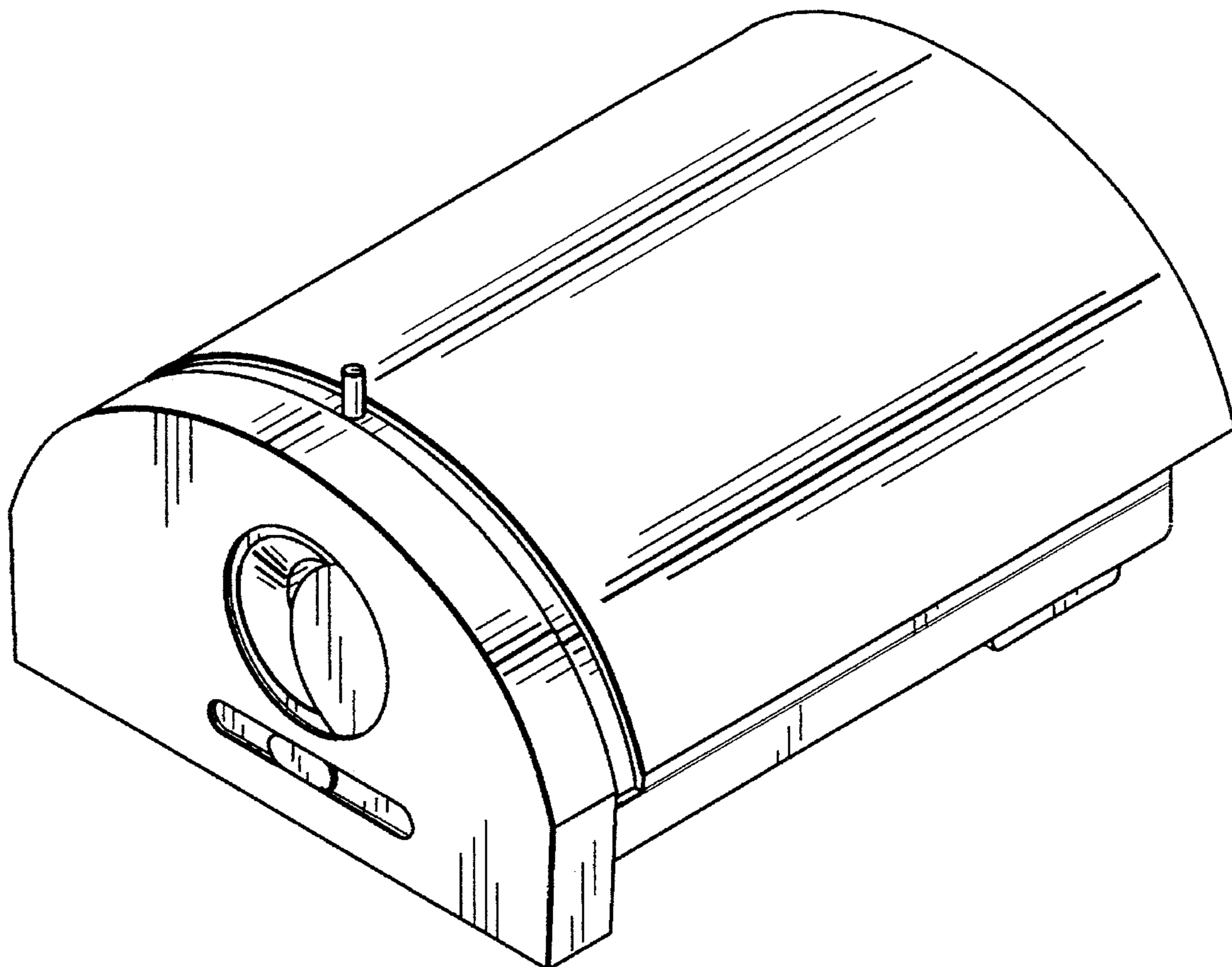
FIG. 4 is a bottom plan view thereof;

FIG. 5 is a right side plan view thereof;

FIG. 6 is a left side plan view thereof; and,

FIG. 7 is a front, right, top side perspective view thereof.

1 Claim, 4 Drawing Sheets



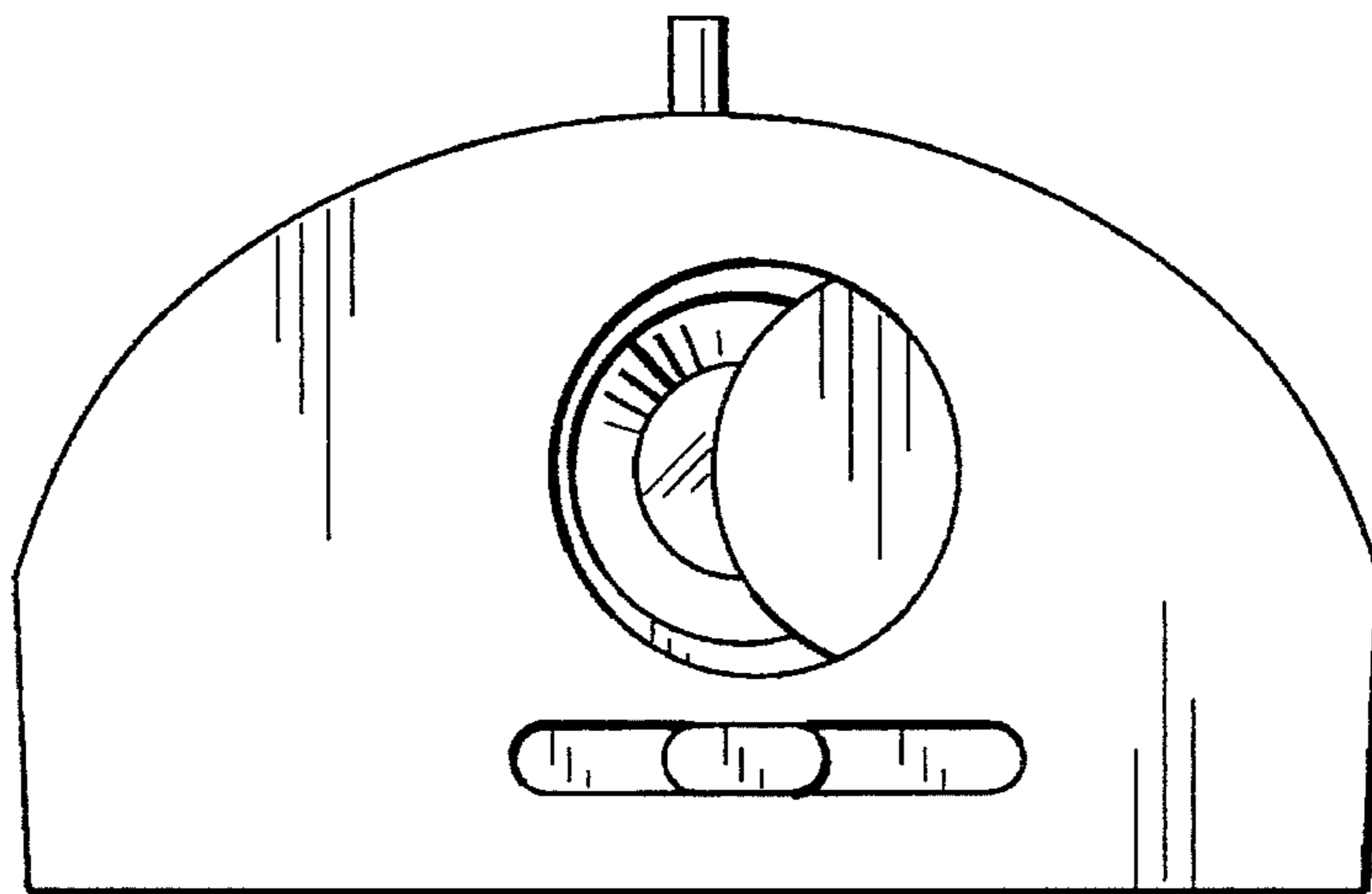


FIG. 1

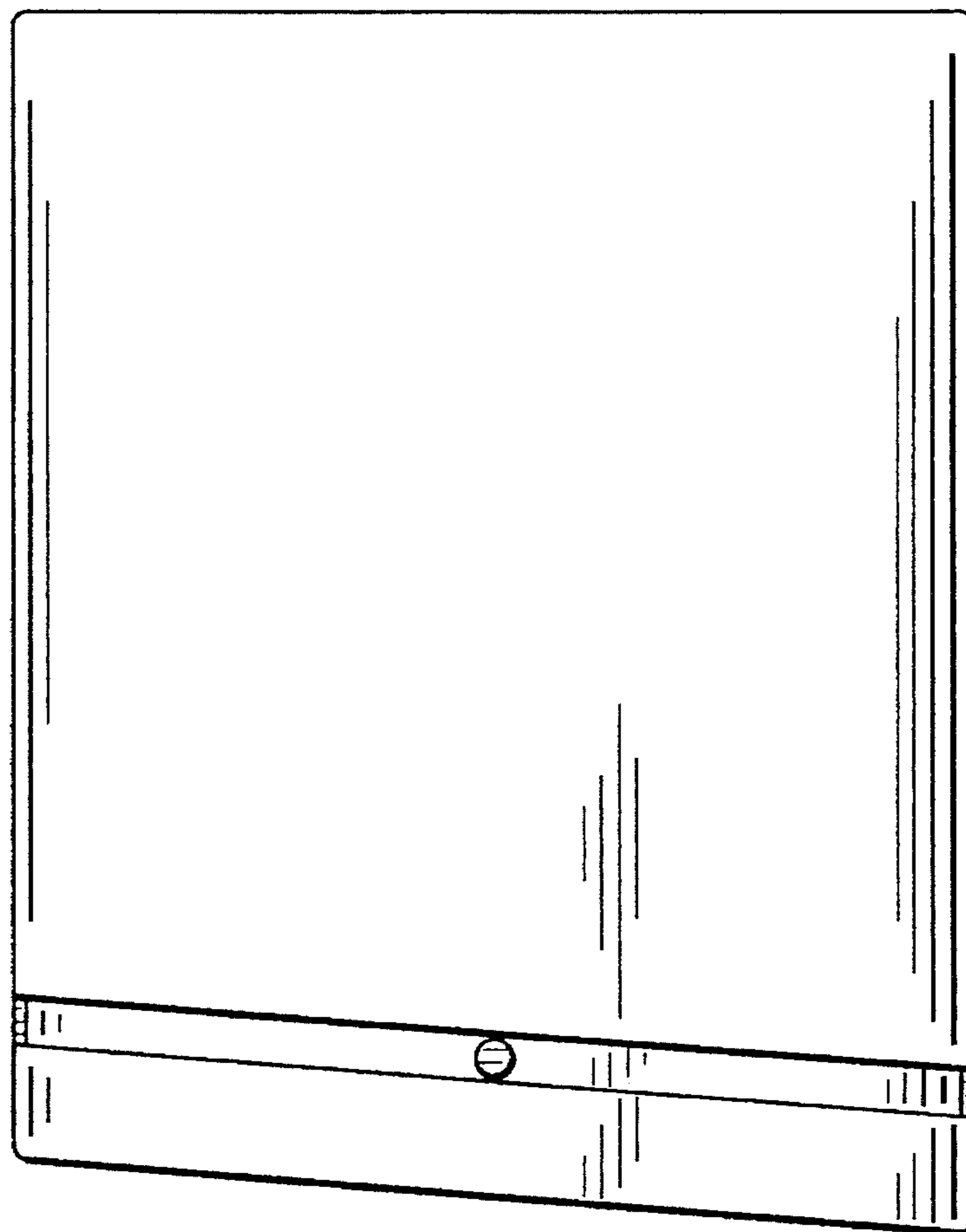


FIG. 3

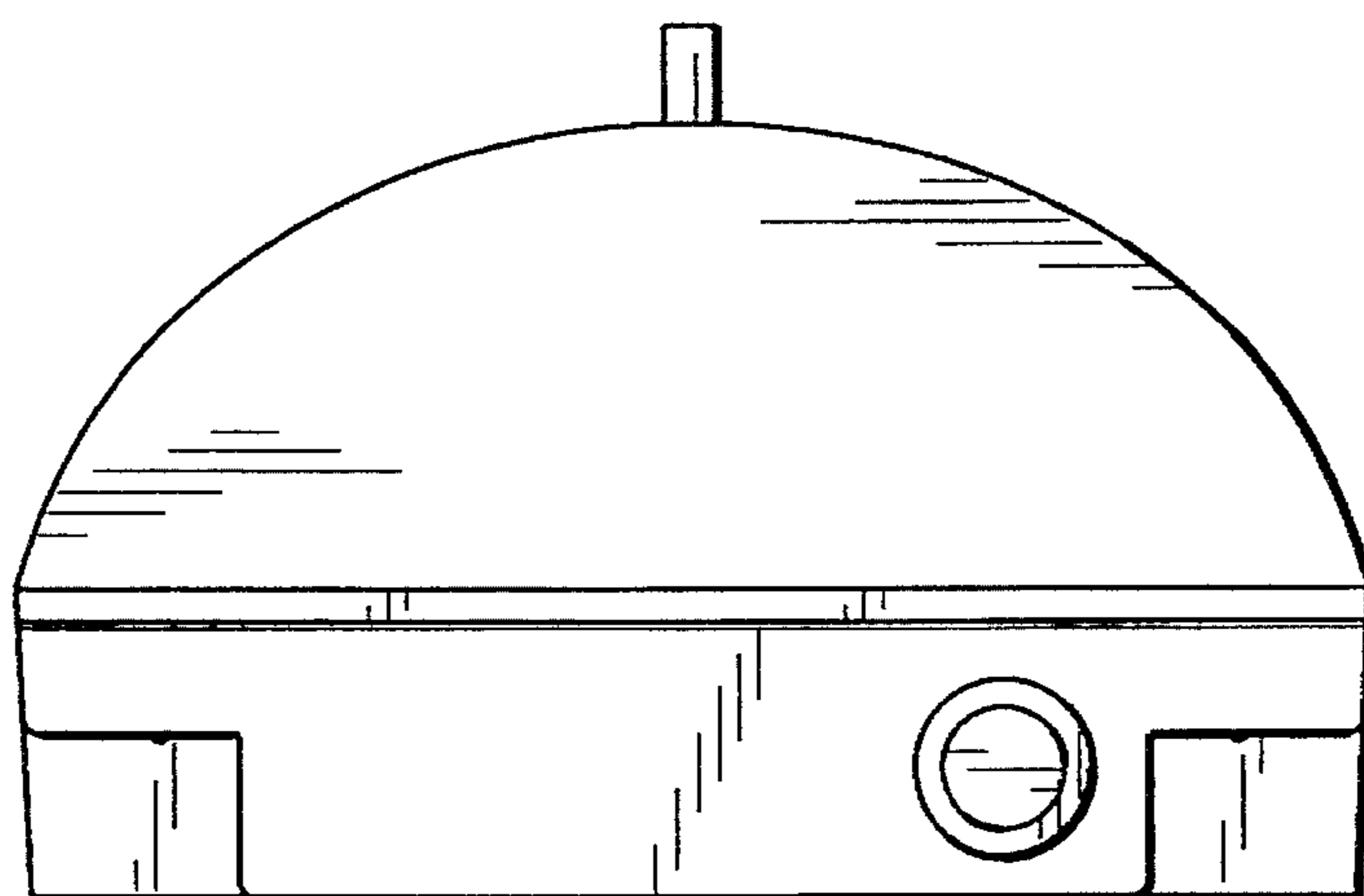


FIG. 2

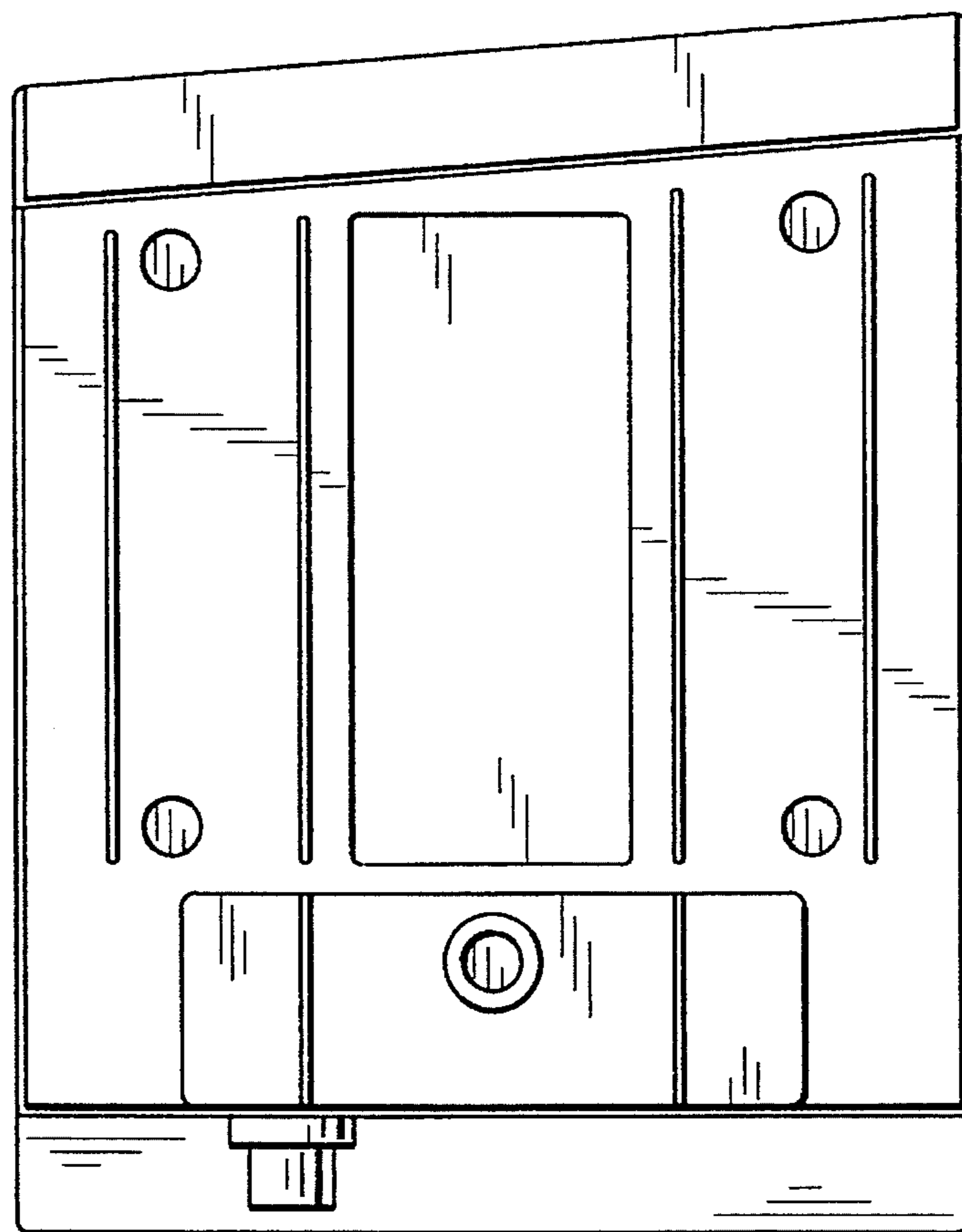


FIG. 4

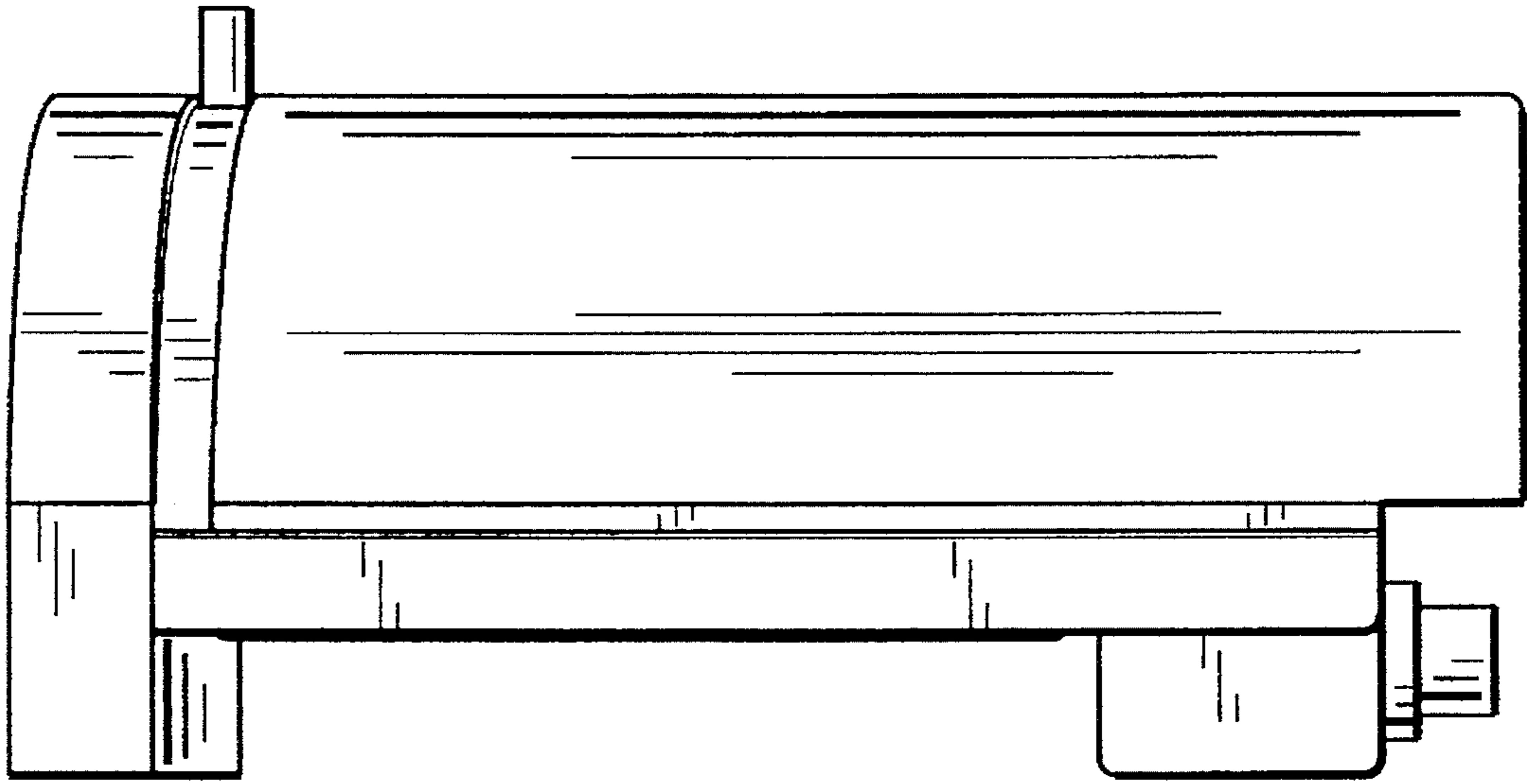


FIG. 5

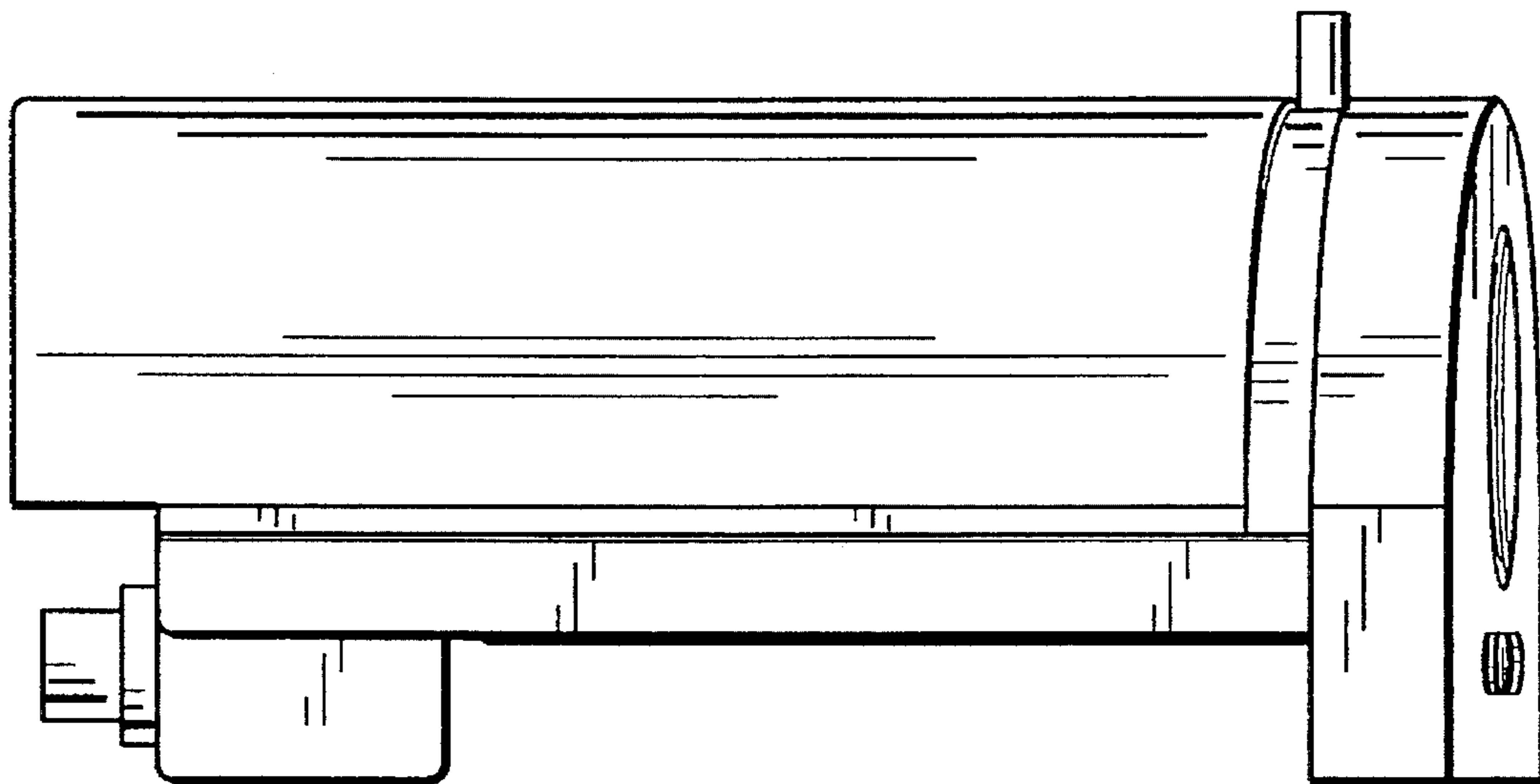


FIG. 6

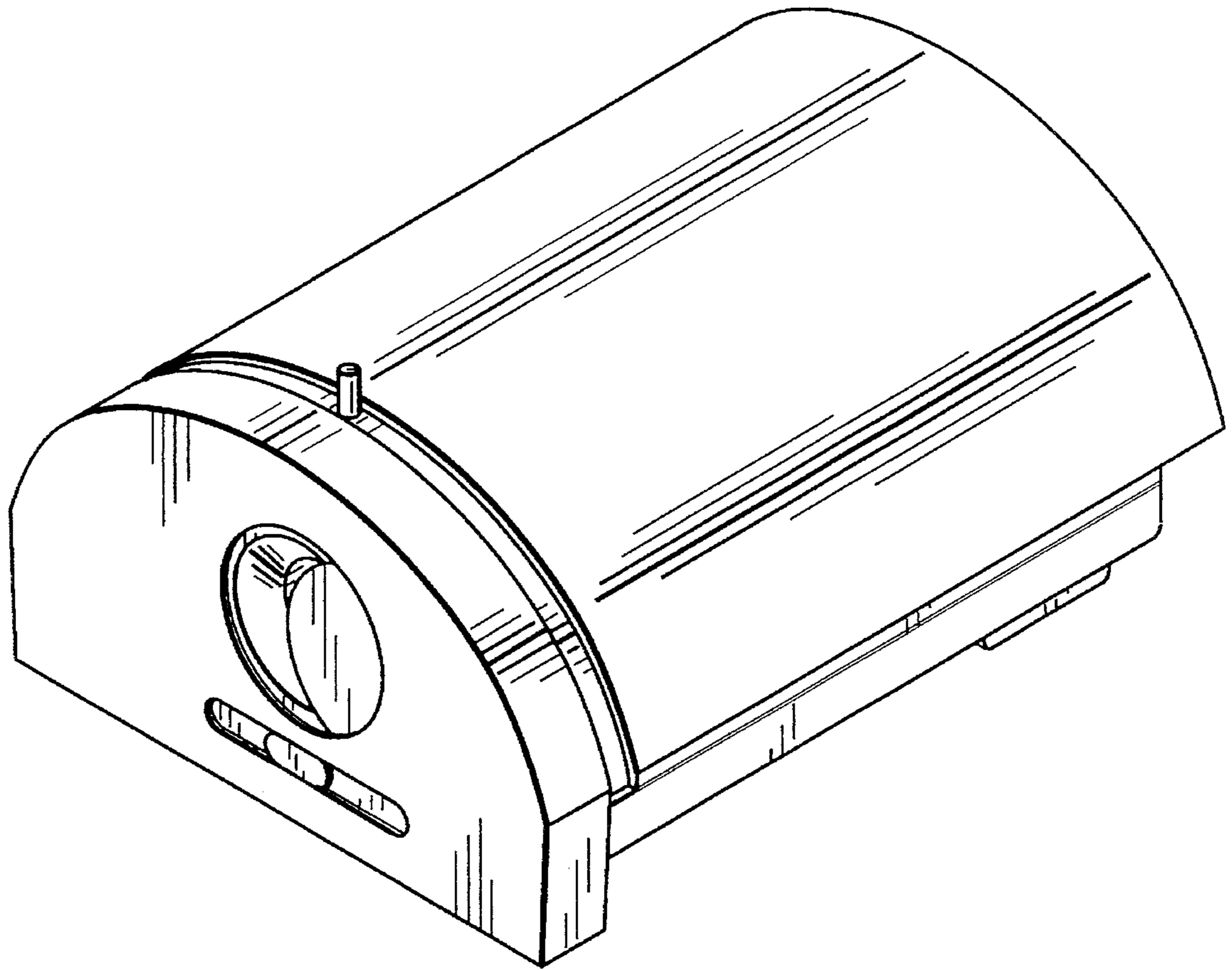


FIG. 7