



US00D363501S

# United States Patent [19]

[11] Patent Number: **Des. 363,501**

**Daniel**

[45] Date of Patent: **\*\*Oct. 24, 1995**

[54] ANTI-SPILL FLUID RECEPTACLE

4,714,138 12/1987 Zaccone .

[76] Inventor: **Peter E. Daniel**, 13607 Chevy Chase La., Chantilly, Va. 22021

4,800,933 1/1989 Moore et al. .

4,951,721 8/1990 Moore et al. .

4,970,817 11/1990 Mansfield ..... 141/98 X

5,121,776 6/1992 Kovach .

[\*\*] Term: **14 Years**

*Primary Examiner*—Antoine Duval Davis

[21] Appl. No.: **18,276**

[57] **CLAIM**

[22] Filed: **Feb. 2, 1994**

The ornamental design for an anti-spill fluid receptacle, as shown and described.

[52] U.S. Cl. .... **D15/150**

[58] Field of Search ..... D15/150, 151, D15/152; 7/100, 138, 142, 151, 152, 156, 158; 81/2, 3.07, 3.09, 3.29, 52, 124.7; 141/1, 98, 329-334, 340-345, 392; 184/1.5, 106, 124.7

### DESCRIPTION

FIG. 1 is a front elevational view of the anti-spill fluid receptacle showing my new design; FIG. 2 is a rear elevational view thereof; FIG. 3 is a left side elevational view thereof; FIG. 4 is a right side elevational view thereof; FIG. 5 is a top plan view thereof; and, FIG. 6 is a bottom plan view thereof.

The broken line lettering and drops of fluid in FIGS. 1, 2, and 3 is for illustrative purposes only and forms no part of the claimed design.

The broken portion in FIGS. 1 through 4 indicates indeterminate length of the orthogonal nose portion of the design.

### [56] References Cited

#### U.S. PATENT DOCUMENTS

D. 212,036	8/1968	Hasenbank .....	D15/150
D. 340,468	10/1993	Pollak et al. ....	D15/150
1,711,305	4/1929	Bond .....	141/331 X
2,777,293	1/1957	Hawkins .....	141/334 X
3,899,012	8/1975	Sather .....	141/331
4,130,147	12/1978	Langlie et al. ....	141/98
4,230,002	10/1980	Skidmore .	
4,347,878	9/1982	Schofield .....	141/334 X

**1 Claim, 3 Drawing Sheets**

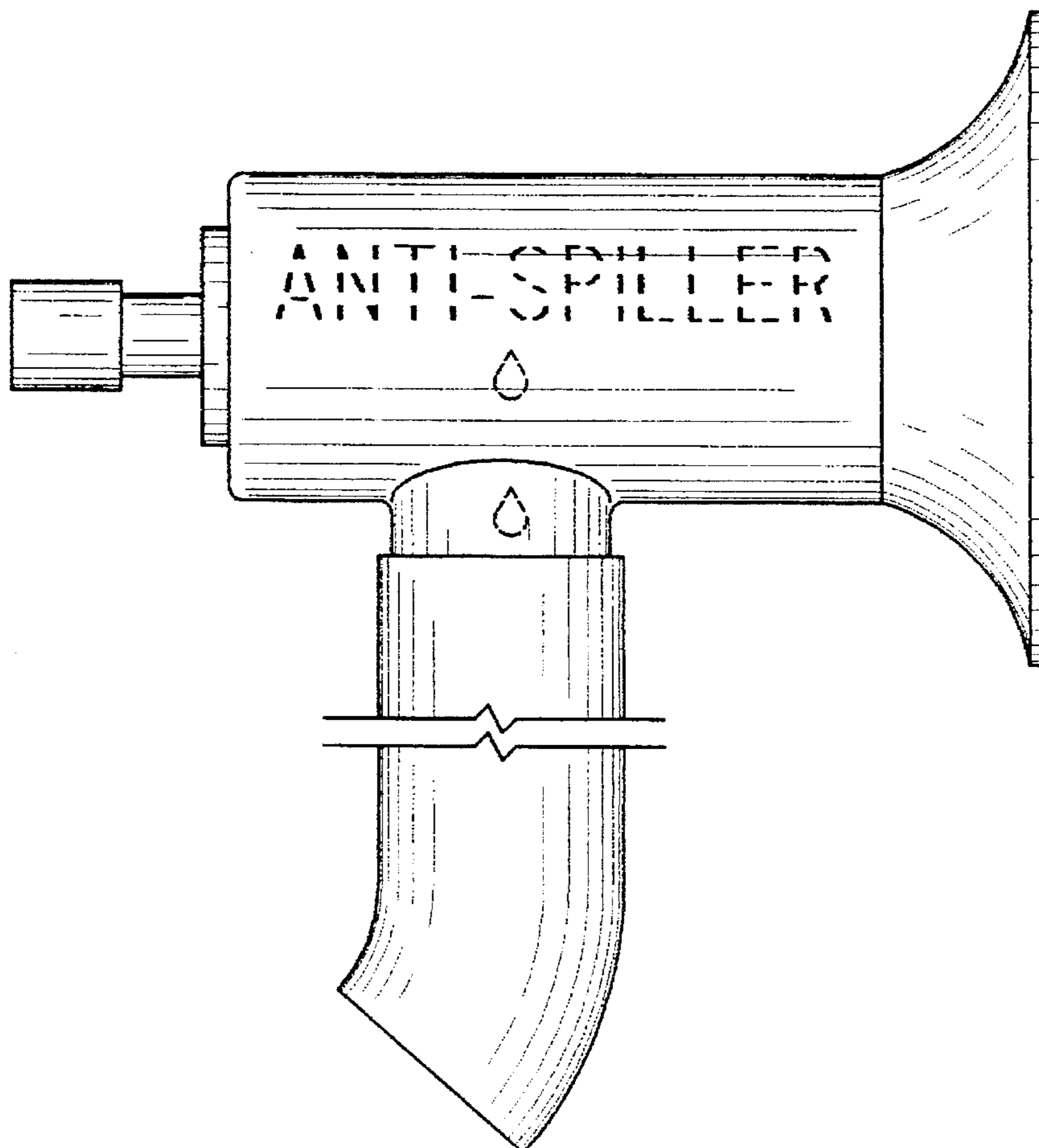


FIG. 1

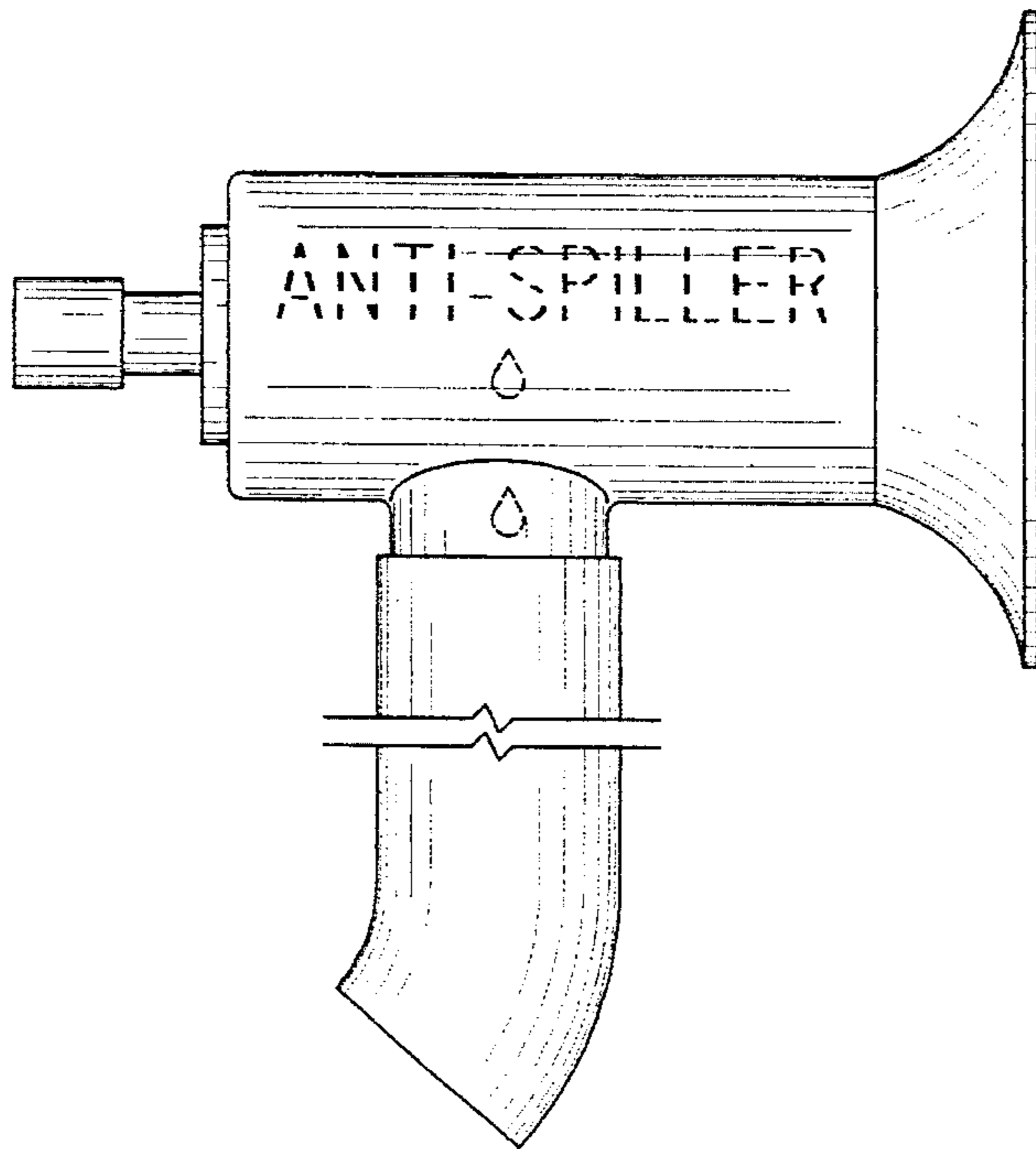


FIG. 2

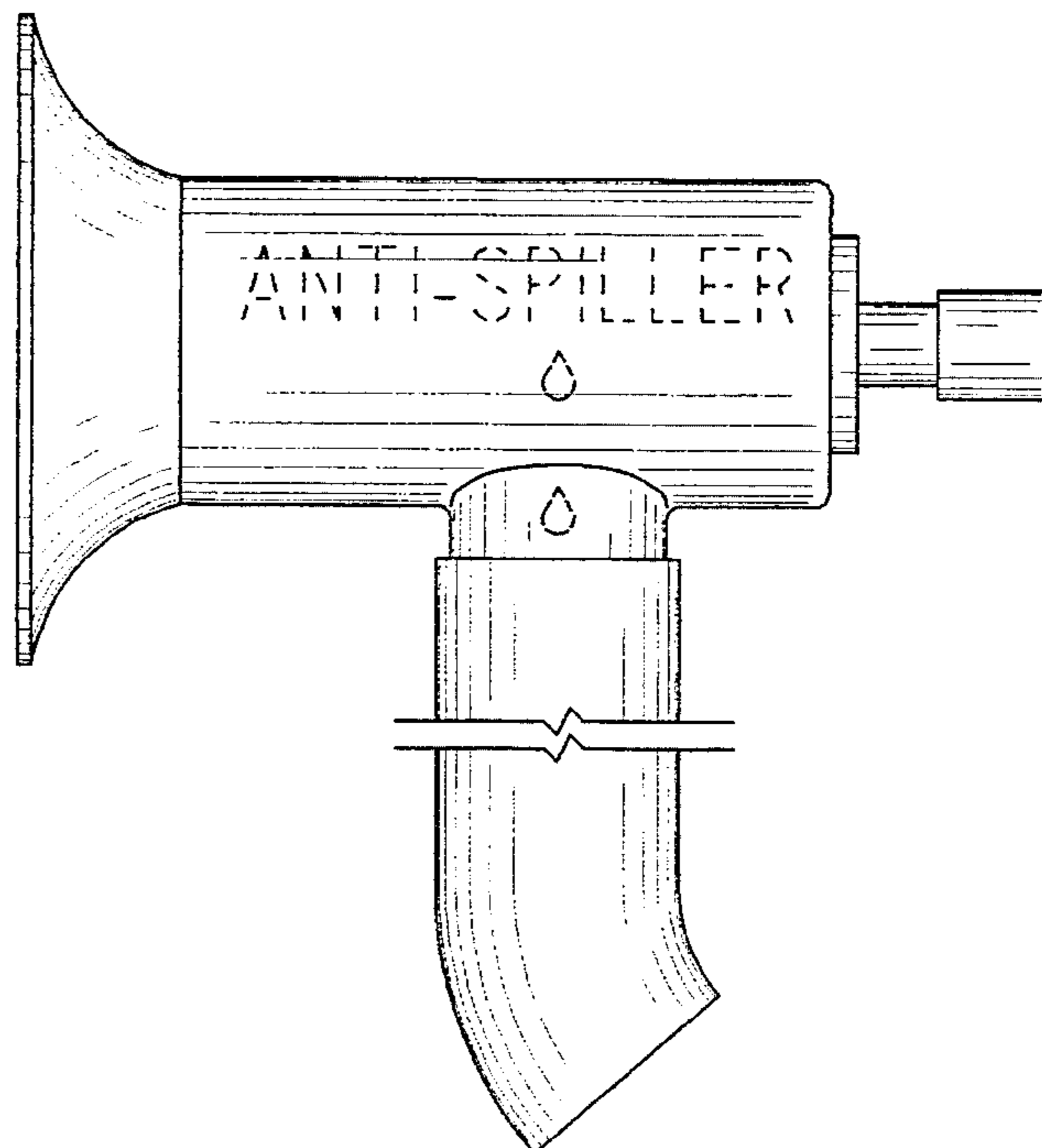


FIG. 3

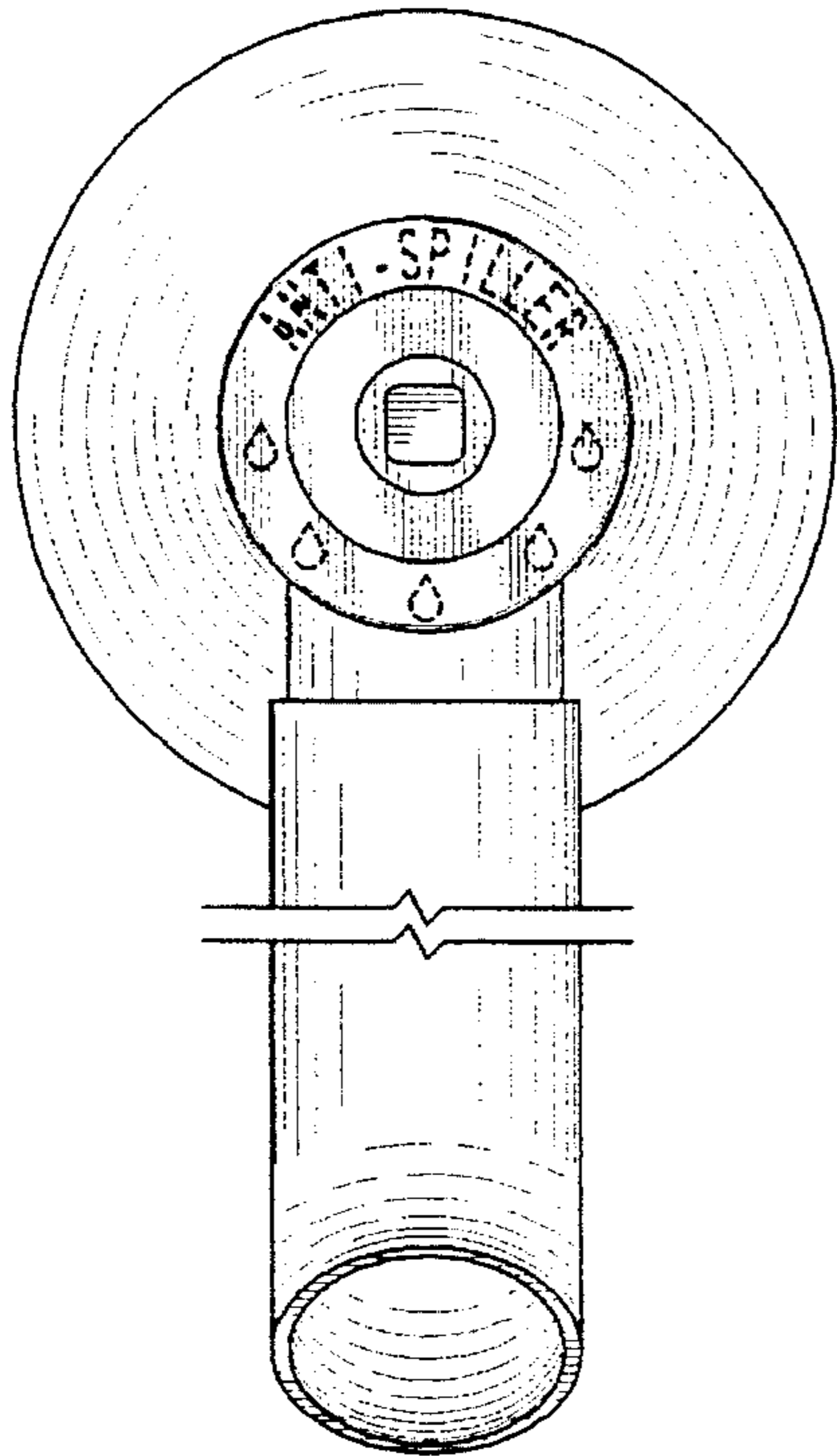
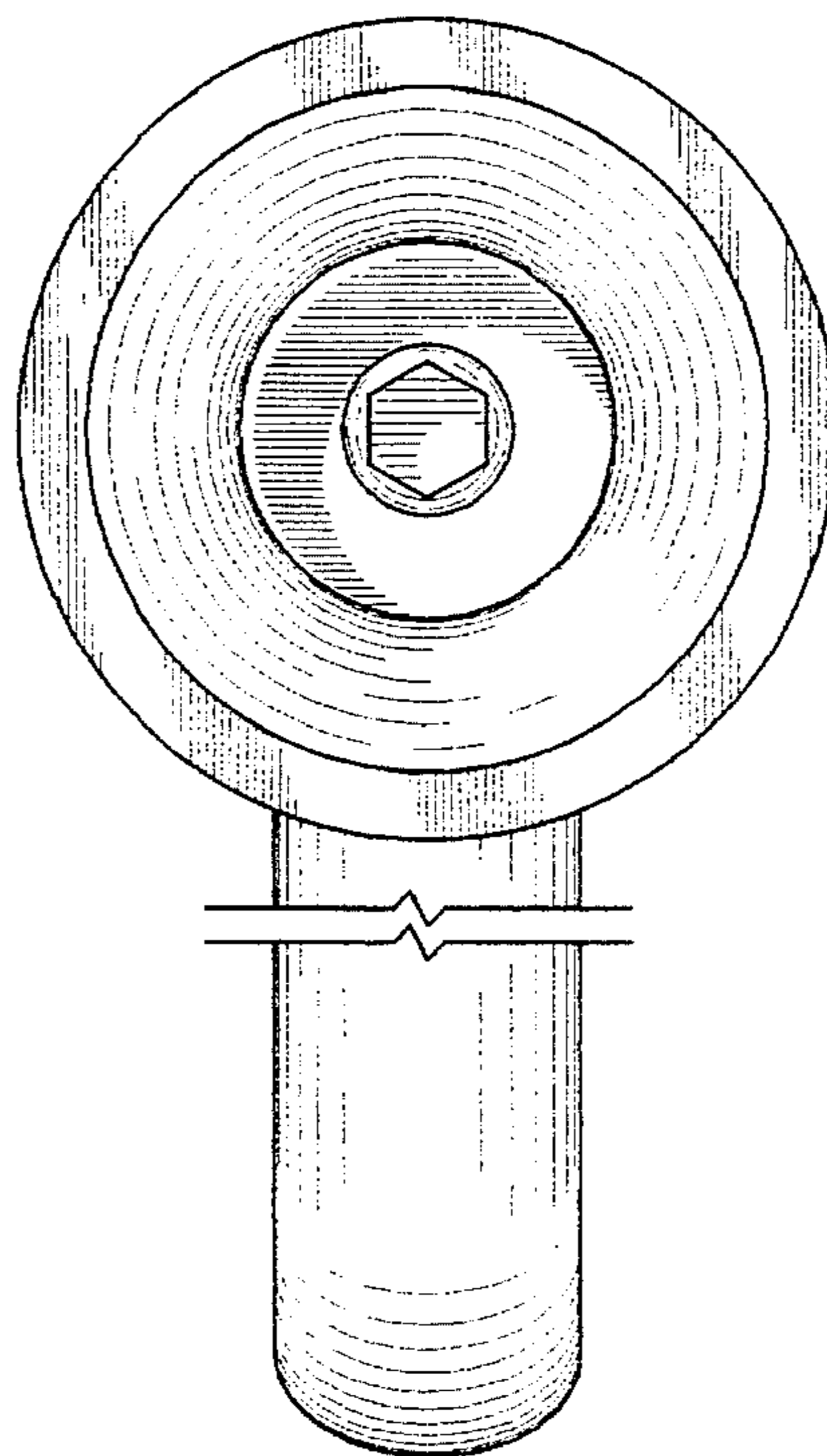
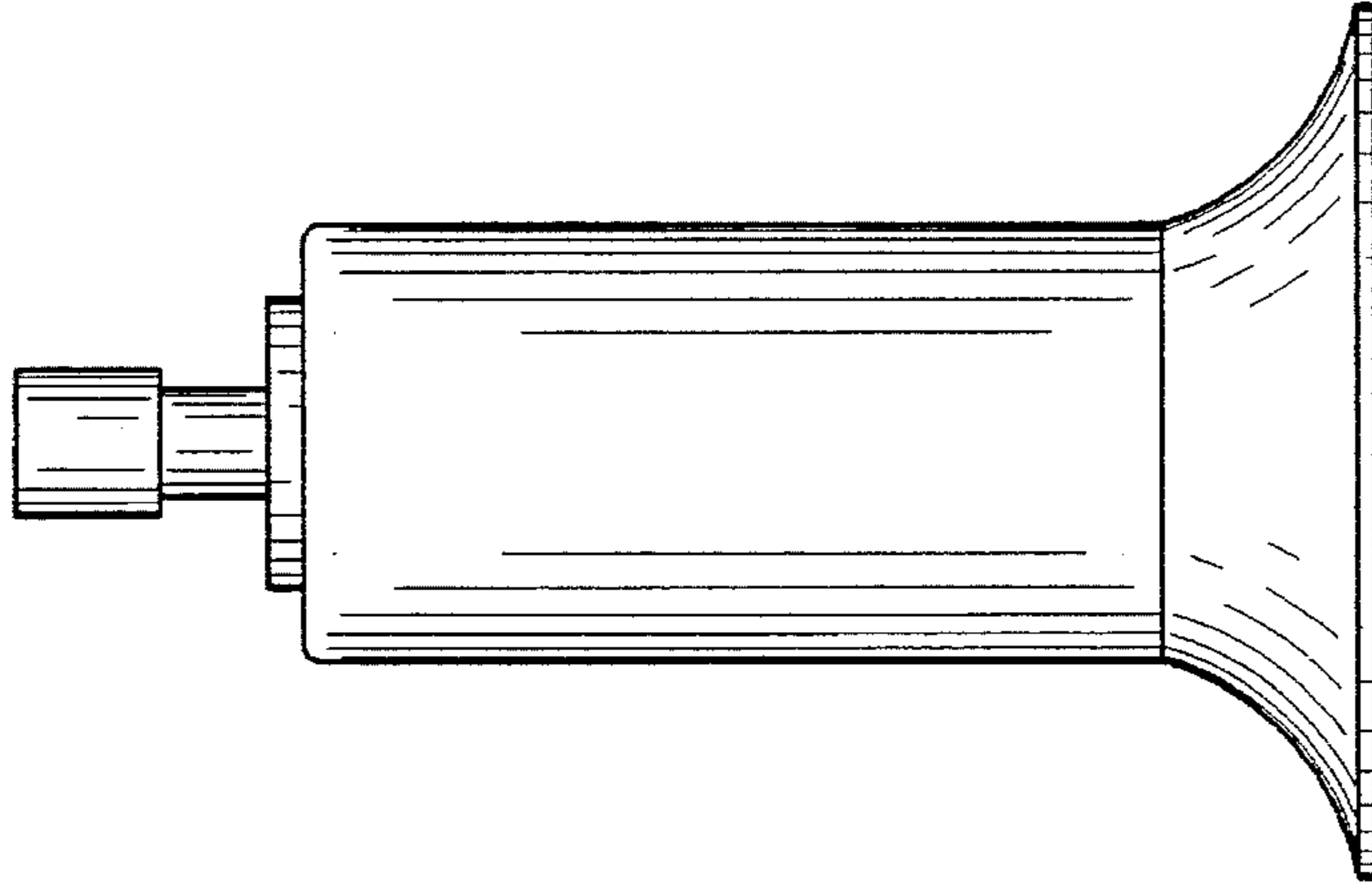


FIG. 4



*FIG. 5*



*FIG. 6*

