



US00D363498S

United States Patent [19] Hatcher

[11] Patent Number: **Des. 363,498**

[45] Date of Patent: ***** Oct. 24, 1995**

[54] **ANGLED SEVERING HEAD WITH STABILIZING ASSEMBLY**

4,125,161	11/1978	Chammas	166/297
4,250,960	2/1981	Chammas	166/55
4,494,601	1/1985	Pratt et al.	166/55
4,619,318	10/1986	Terrell et al.	166/55

[76] Inventor: **Wayne B. Hatcher**, P.O. Box 305, Harvey, La. 70059

OTHER PUBLICATIONS

[*] Notice: The portion of the term of this patent subsequent to Oct. 17, 2009 has been disclaimed.

McCulloch Tool Company; McCulloch Chemical Cutter; 3/1957; p. 135; Applicant Provided.

[**] Term: **14 Years**

Primary Examiner—Antoine Duval Davis
Attorney, Agent, or Firm—George A. Bode

[21] Appl. No.: **24,964**

[57] CLAIM

[22] Filed: **Jun. 24, 1994**

The ornamental design for an angled severing head with stabilizing assembly, as shown and described.

Related U.S. Application Data

DESCRIPTION

[63] Continuation-in-part of Ser. No. 13,544, Sep. 27, 1993, and a continuation-in-part of Ser. No. 13,560, Sep. 27, 1993, and a continuation-in-part of Ser. No. 13,563, Sep. 27, 1993, and a continuation-in-part of Ser. No. 13,565, Sep. 27, 1993.

FIG. 1 is a top, front and left side perspective view of an angled severing head with stabilizing assembly showing my new design;

[52] **U.S. Cl.** **D15/139**

FIG. 2 is a front elevational view thereof;

[58] **Field of Search** D15/138, 139; 29/525; 53/374.4, 375.3, 550, 552, 390, 397, 139.4; 89/1.15; 102/306, 310; 156/494, 496, 498, 582, 583.3; 166/55, 55.1, 63, 55.7, 212, 287, 297, 298, 299, 319; 175/2-4.6

FIG. 3 is a right side elevational view thereof;

FIG. 4 is a top plan view thereof;

FIG. 5 is a bottom plan view thereof;

FIG. 6 is a rear elevational view thereof; and,

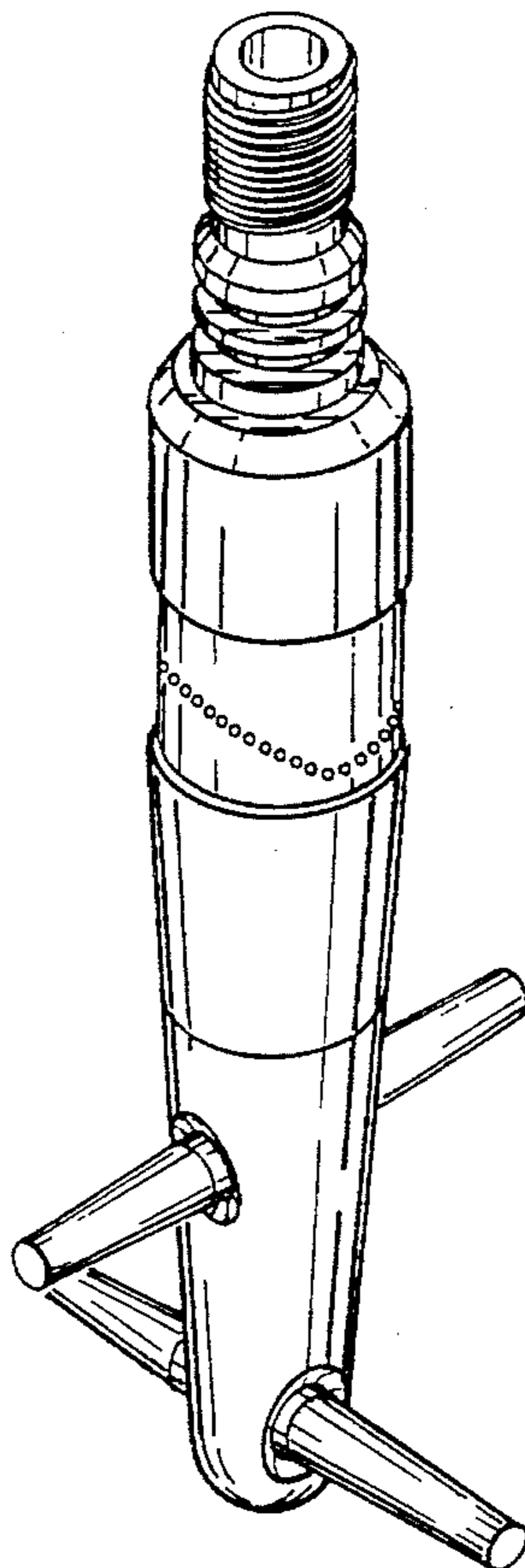
FIG. 7 is a left side elevational view thereof.

[56] References Cited

U.S. PATENT DOCUMENTS

D. 308,874 6/1990 Tsujimura et al. D15/139

1 Claim, 2 Drawing Sheets



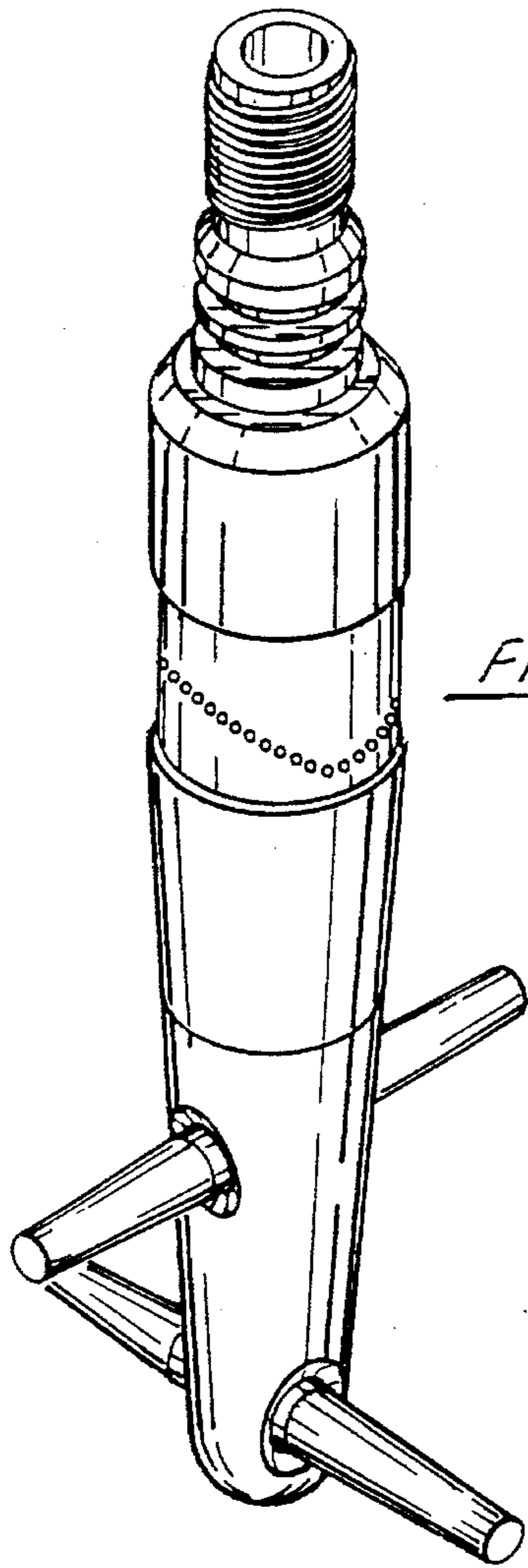


FIG. 1

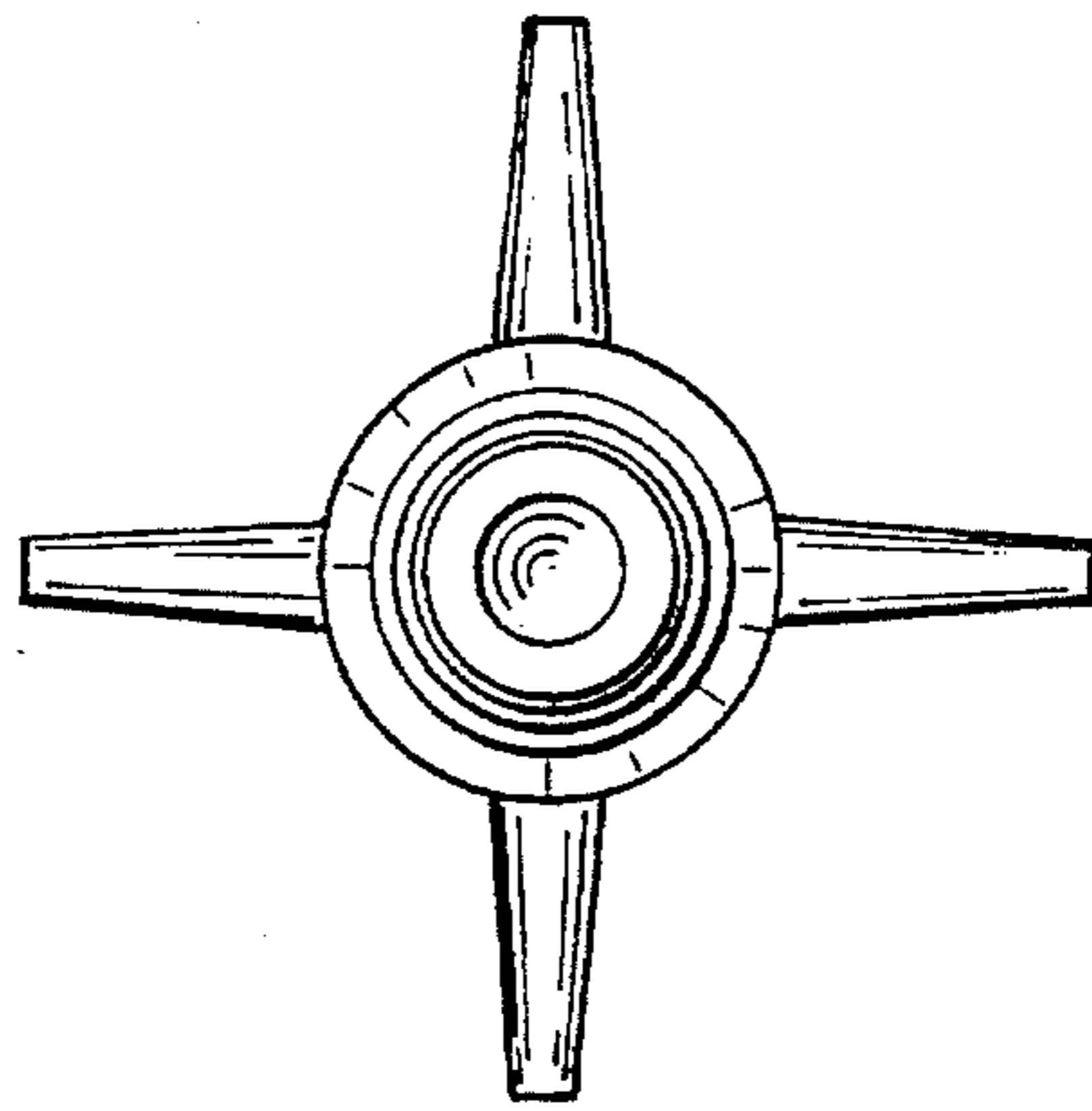


FIG. 4

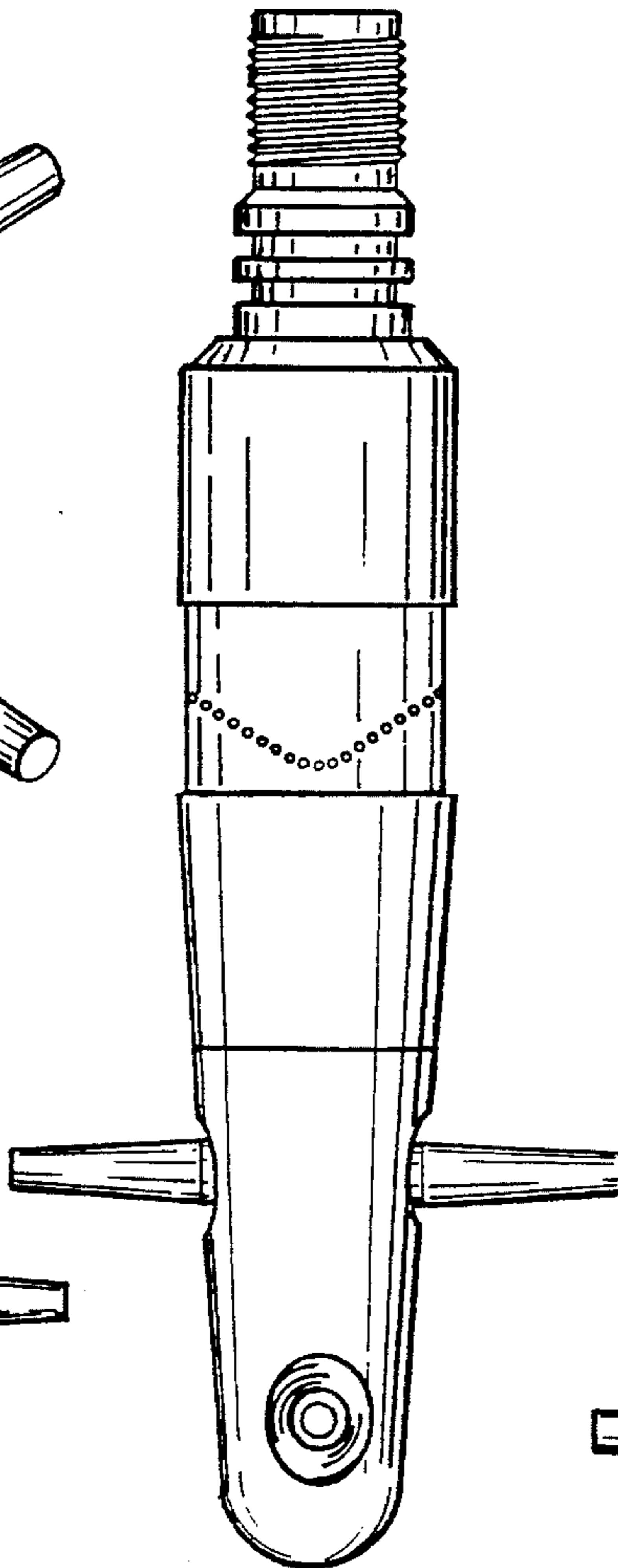


FIG. 2

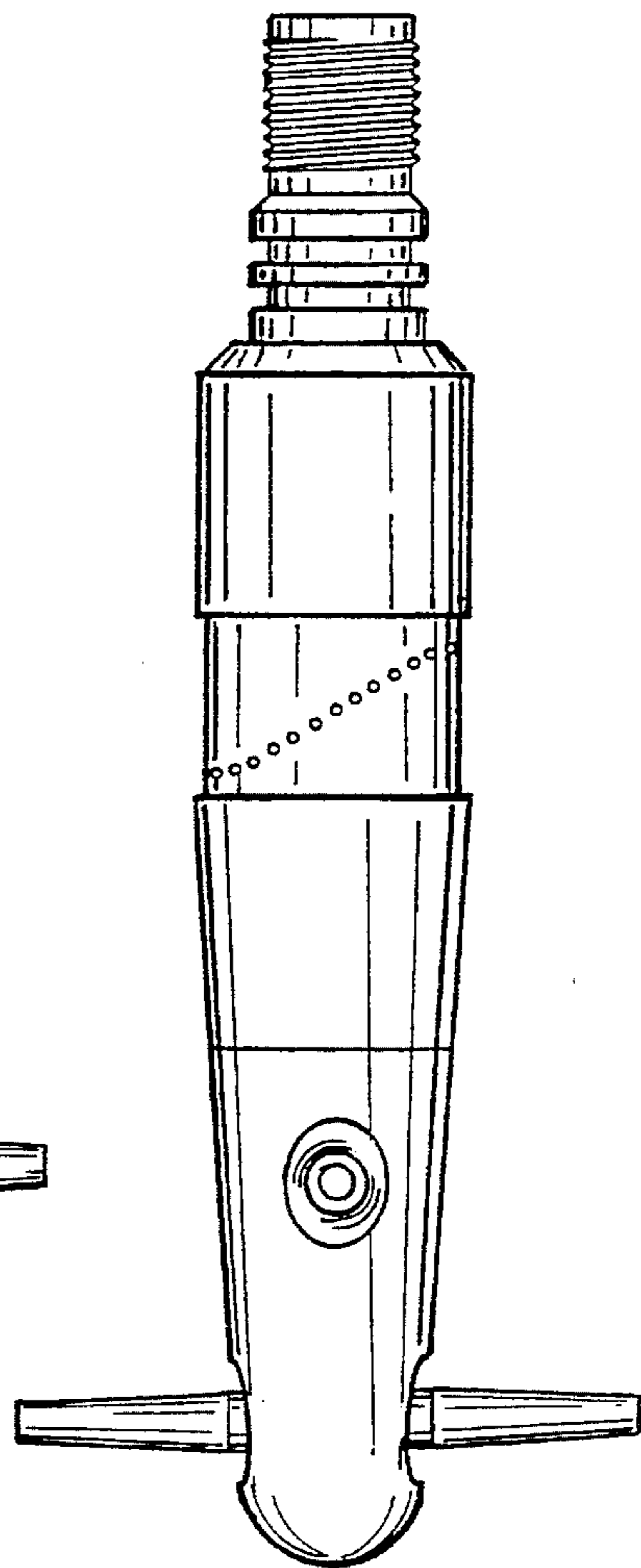


FIG. 3

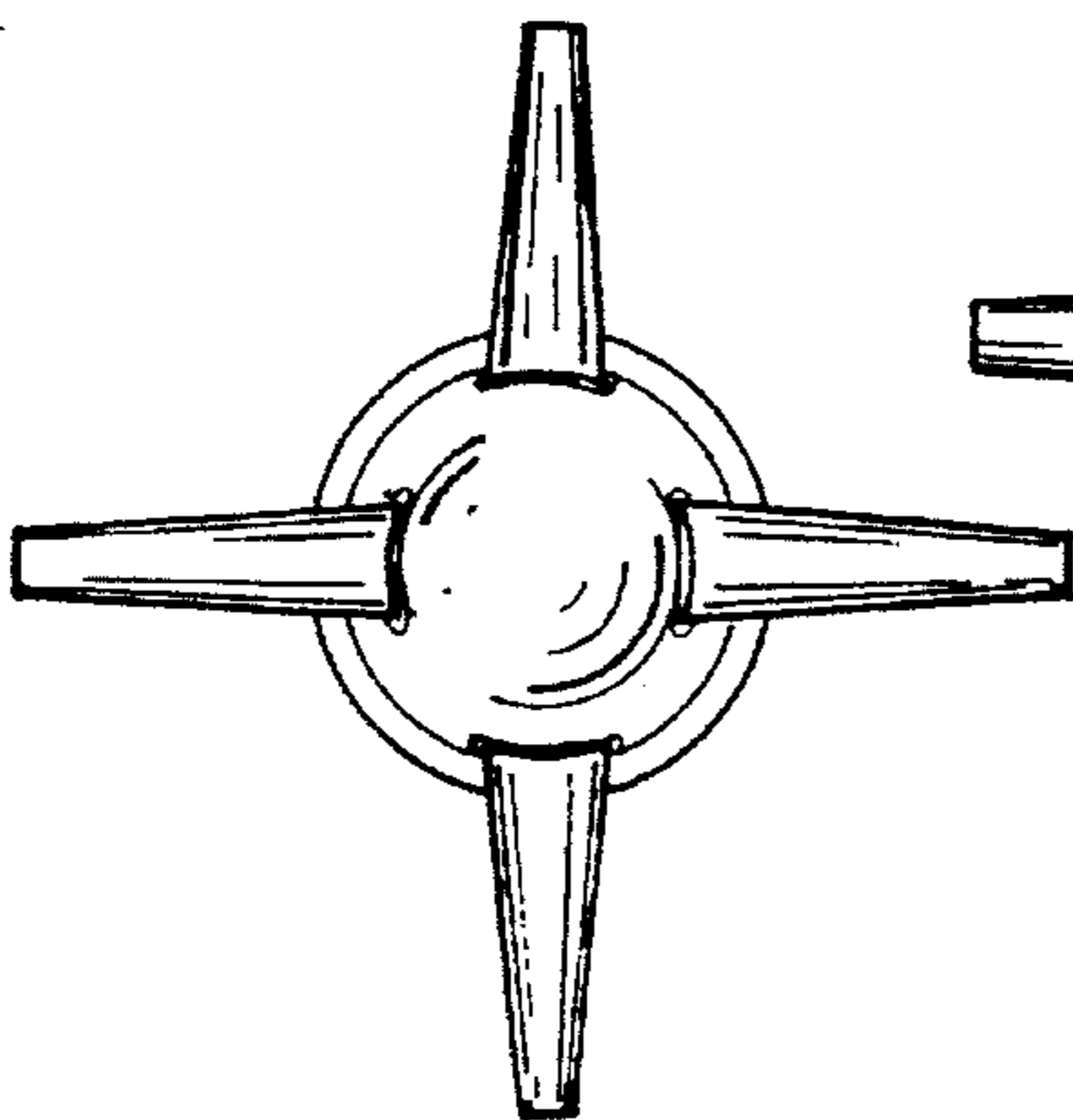


FIG. 5

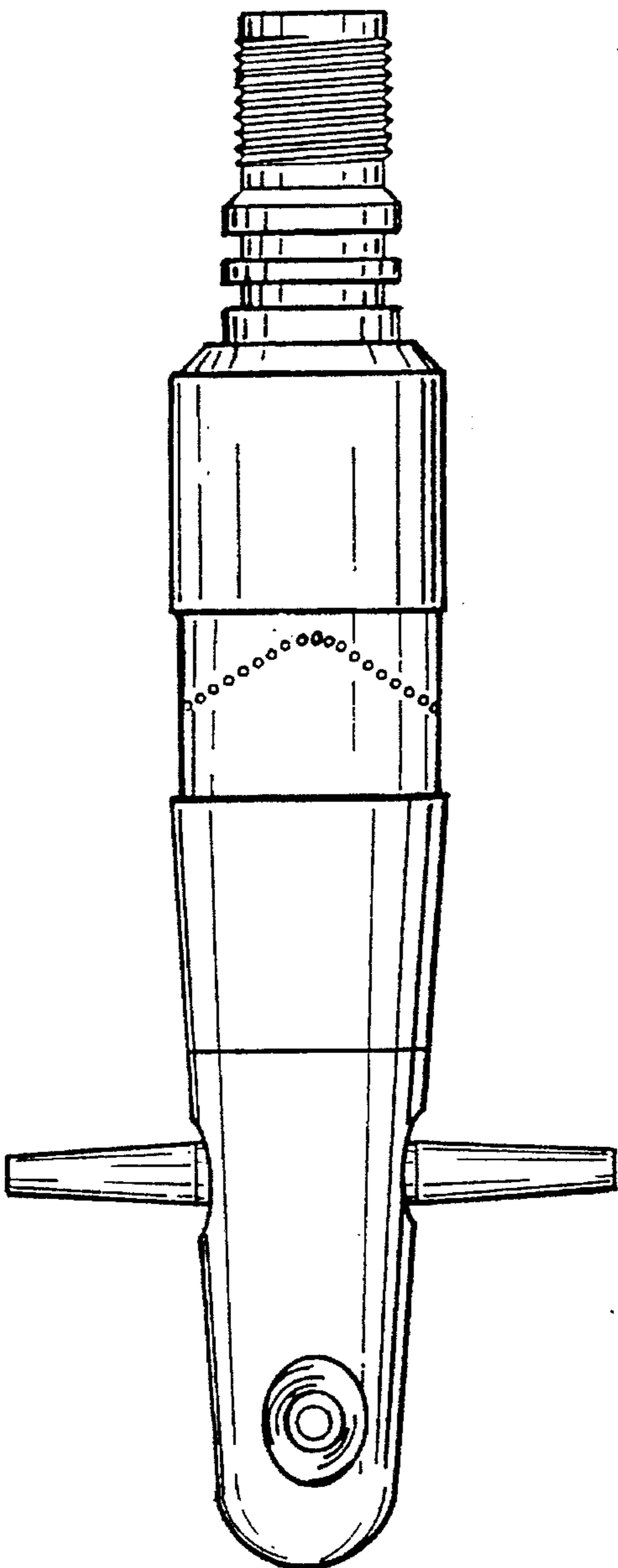


FIG. 6

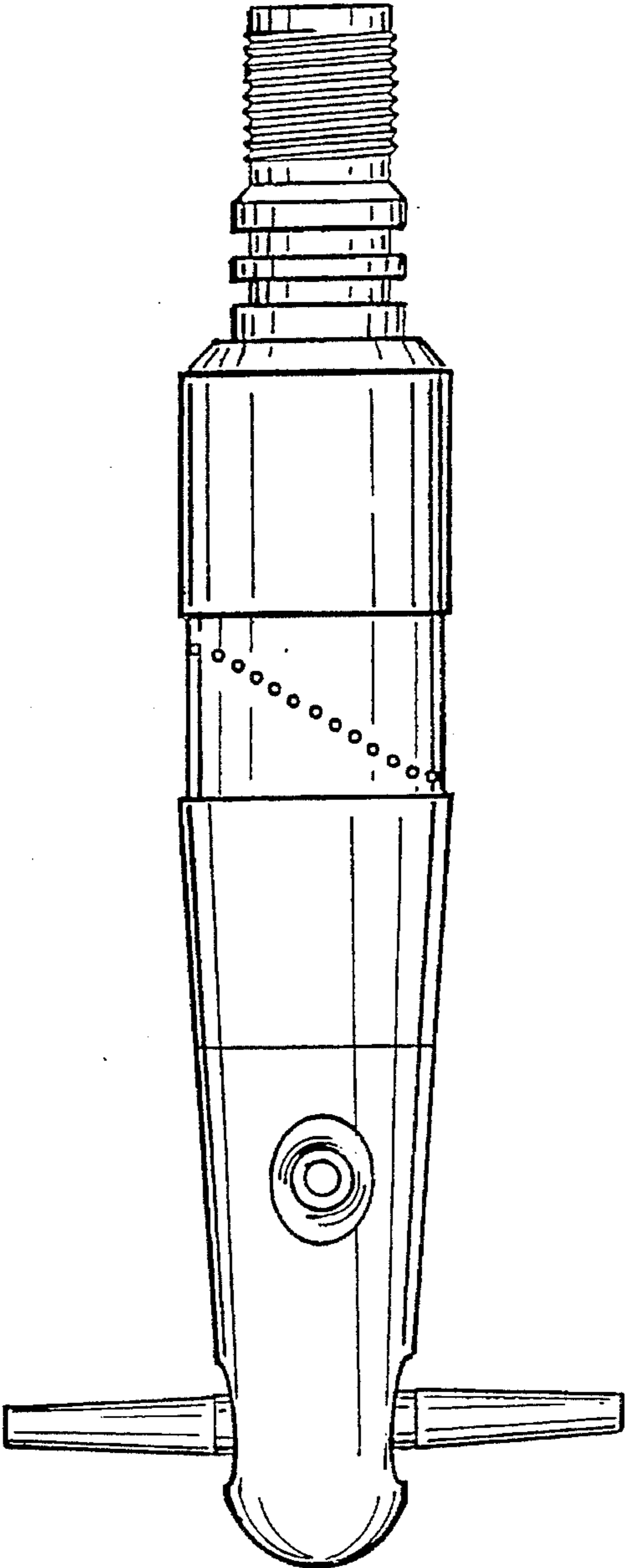


FIG. 7