



US00D363493S

# United States Patent [19]

[11] Patent Number: **Des. 363,493**

**Makino**

[45] Date of Patent: **\*\*\* Oct. 24, 1995**

[54] **PUMP**

D. 324,279	2/1992	Grass	.....	D3/106
4,472,113	9/1984	Roger	.....	417/321
4,702,830	10/1987	Makino et al.	.....	210/220
4,752,421	6/1988	Makino	.....	261/120
4,911,838	3/1990	Tanaka	.....	210/242.2

[75] Inventor: **Hisao Makino**, Ichikawa, Japan

[73] Assignee: **Kaiyo Kogyo Kabushiki Kaisha**,  
Tokyo, Japan

[\*] Notice: The portion of the term of this patent subsequent to Aug. 22, 2009 has been disclaimed.

[\*\*] Term: **14 Years**

*Primary Examiner*—Ralf T. Seifert  
*Attorney, Agent, or Firm*—Wenderoth, Lind & Ponack

### [57] CLAIM

The ornamental design for a pump, as shown and described.

### DESCRIPTION

[21] Appl. No.: **12,886**

[22] Filed: **Sep. 14, 1993**

[52] U.S. Cl. .... **D15/7**

[58] Field of Search ..... D23/231, 232,  
D23/213, 207; 417/234, 258, 321, 410 B,  
415-416, 426, 535-537; 152/415-416,  
426; D30/106; D15/7-8; D22/134; 210/242.2,  
220; 261/77, 120, 123

FIG. 1 is a front elevational view of a pump showing my new design, rear corresponds;

FIG. 2 is a side elevational view taken from the right of FIG. 1, other side corresponds;

FIG. 3 is a top plan view of FIG. 1;

FIG. 4 is a bottom plan view of FIG. 1;

FIG. 5 is a section view on line 5—5 in FIG. 2; and,

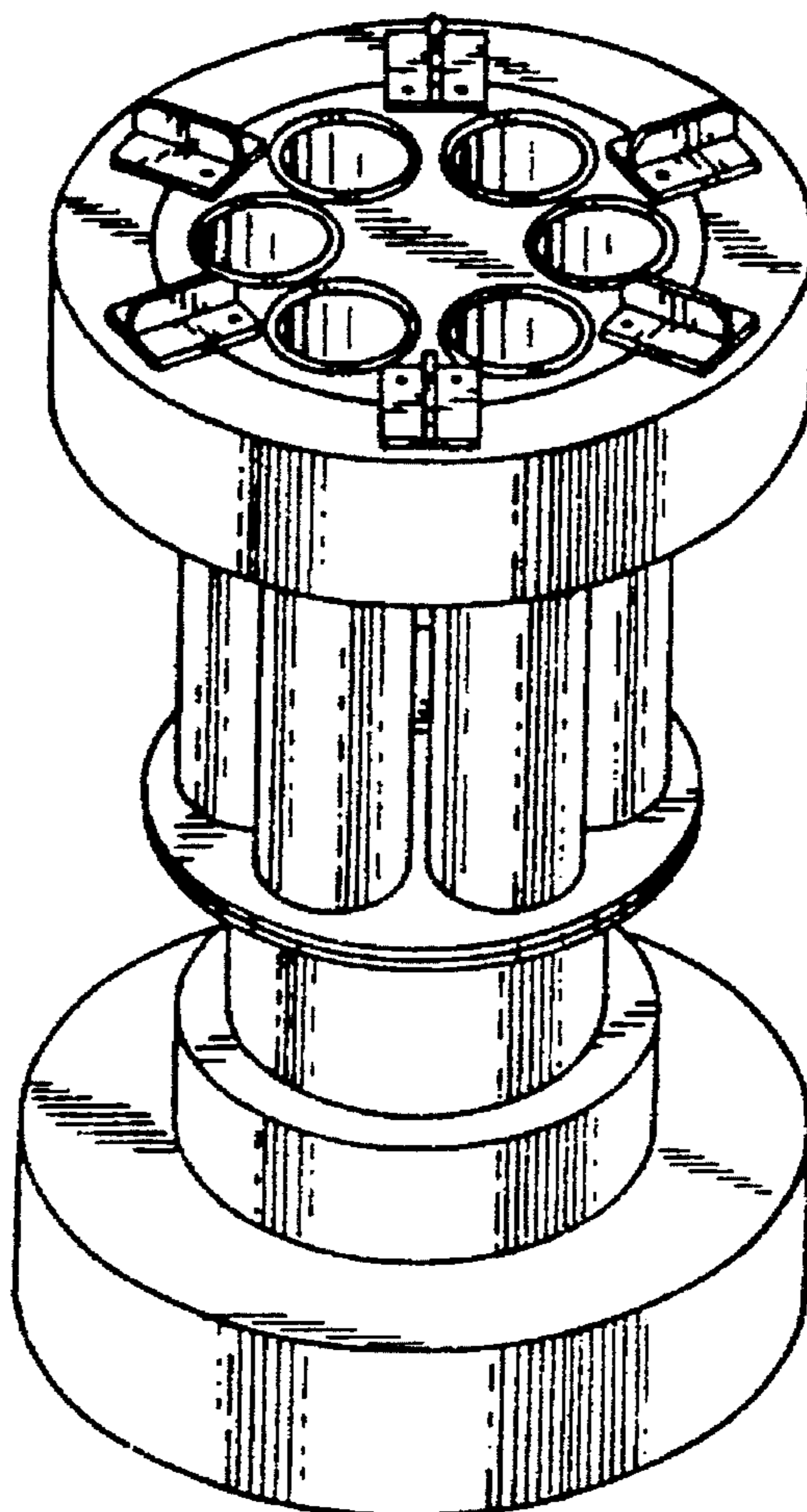
FIG. 6 is a perspective view thereof.

### [56] References Cited

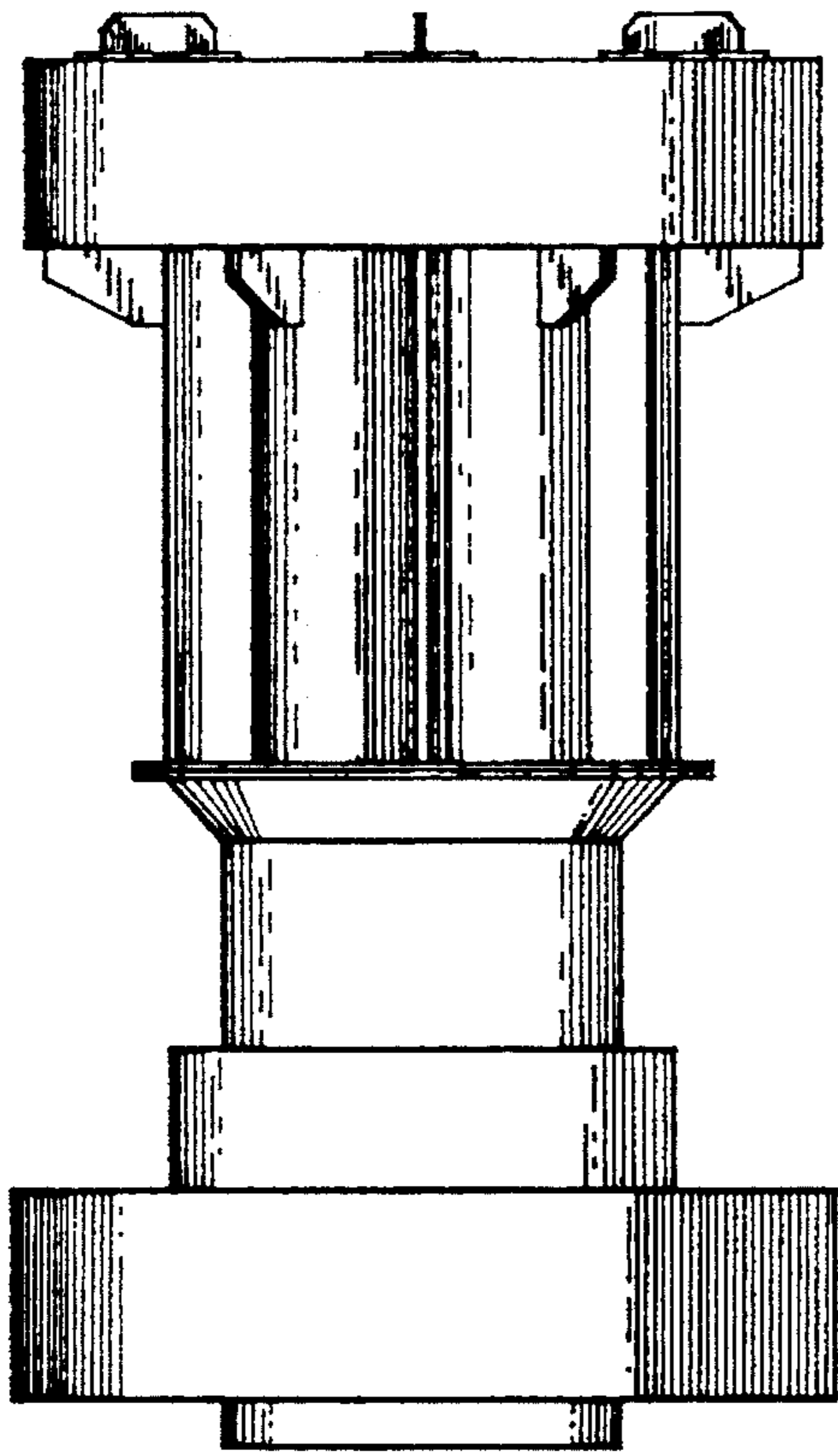
#### U.S. PATENT DOCUMENTS

D. 208,618 9/1967 Munch ..... D23/213

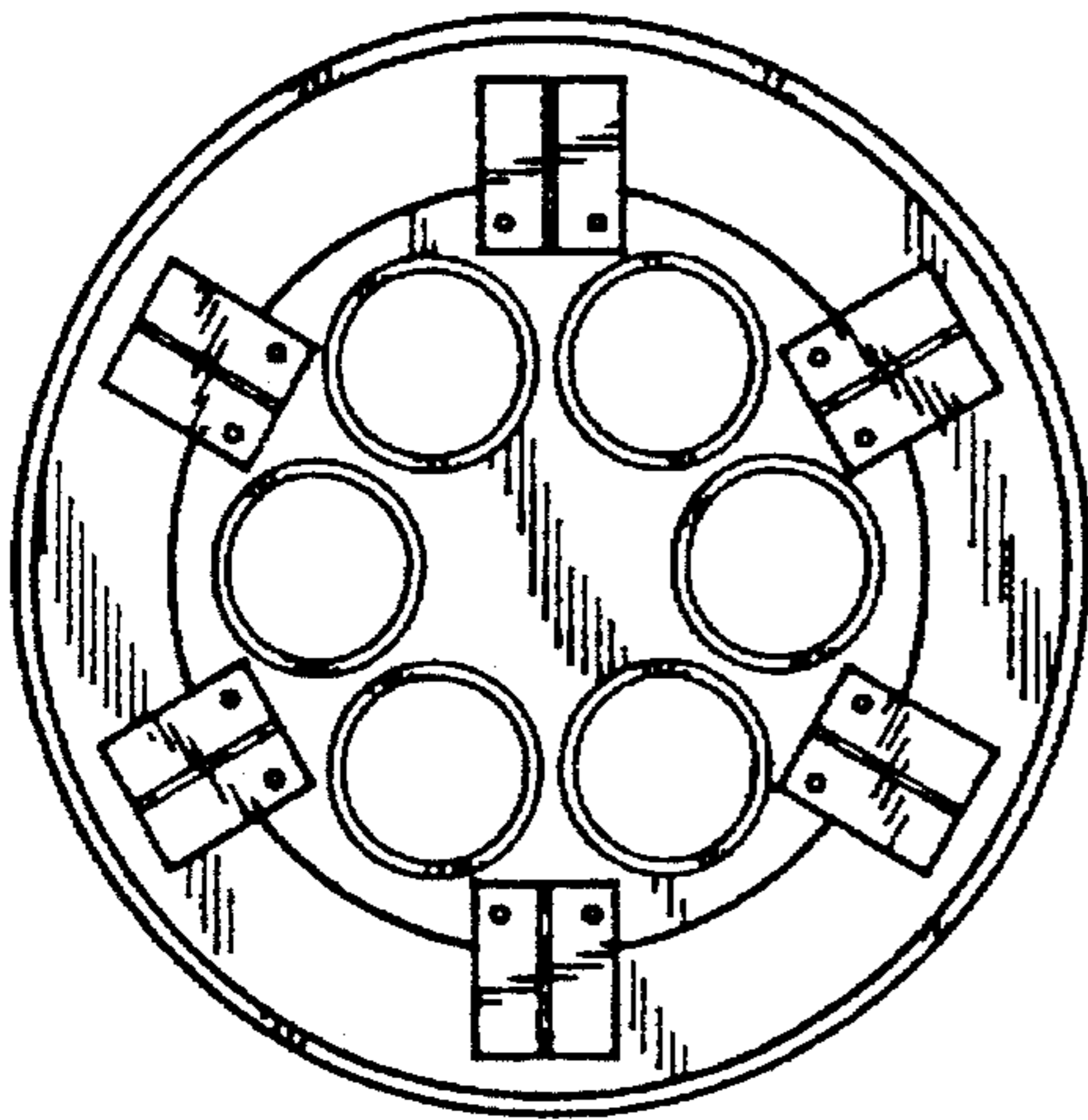
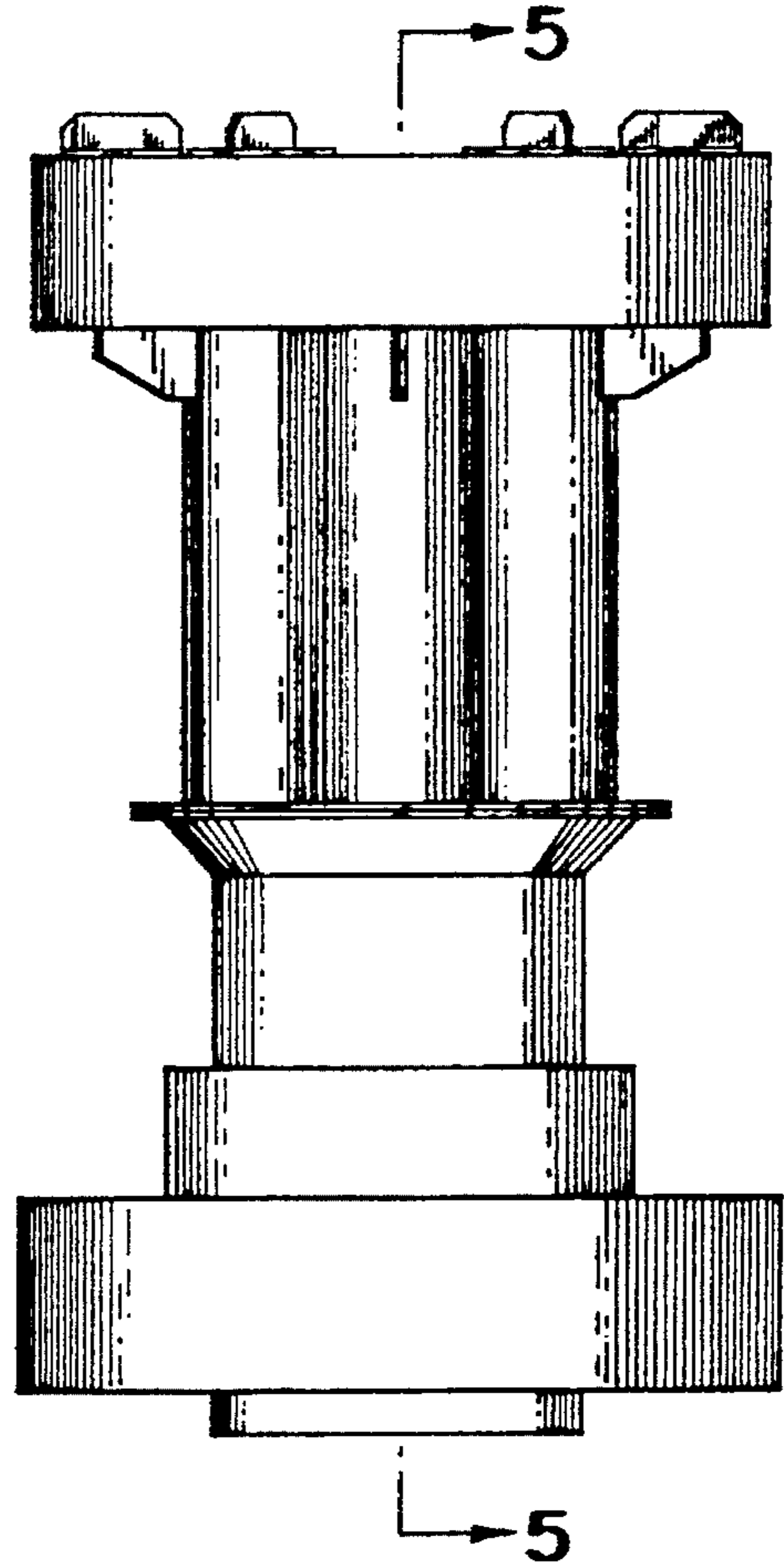
**1 Claim, 2 Drawing Sheets**



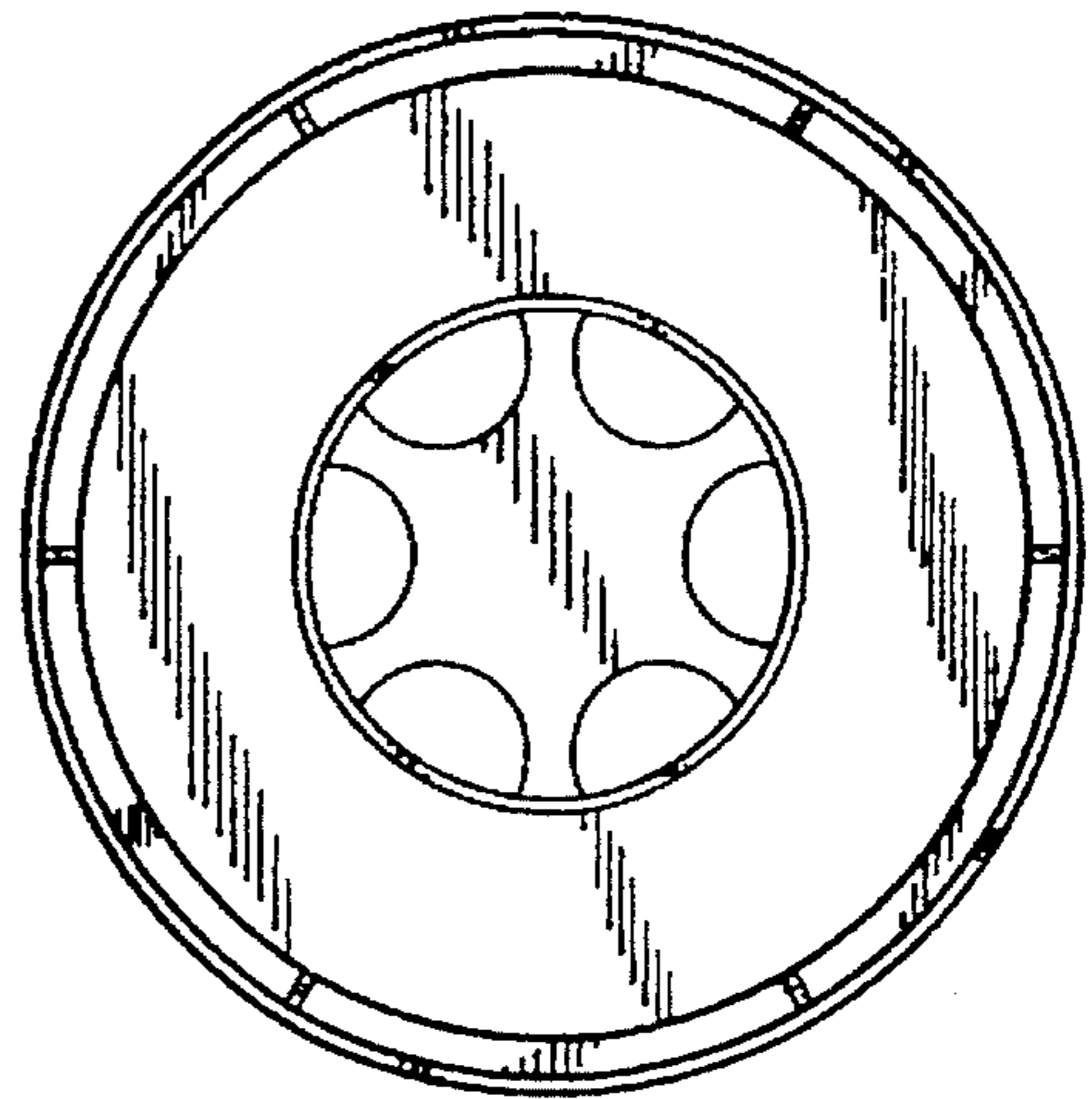
**FIG. 1**



**FIG. 2**

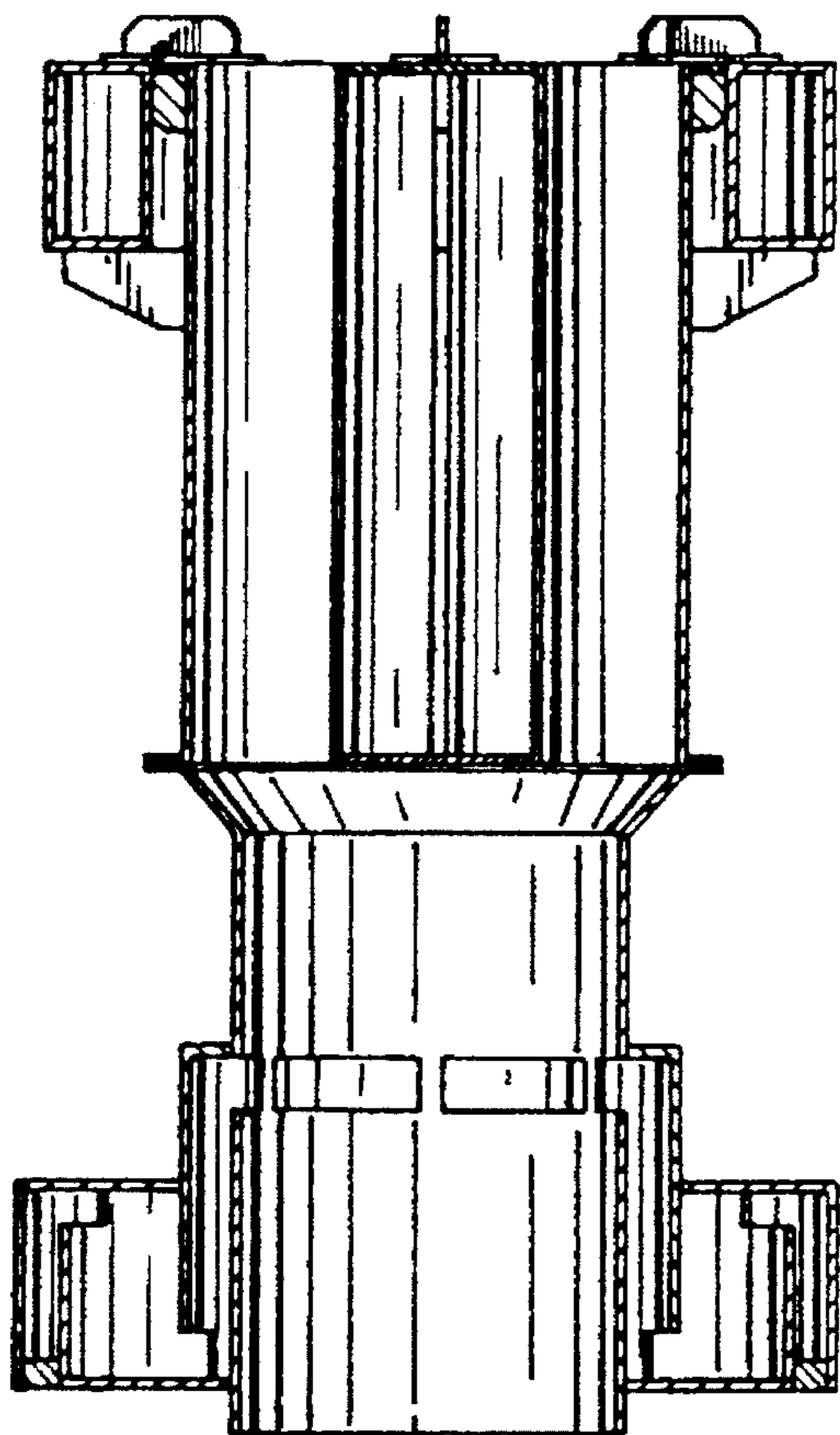


**FIG. 3**



**FIG. 4**

**FIG. 5**



**FIG. 6**

