



US00D363492S

United States Patent [19] Brüssing

[11] **Patent Number: Des. 363,492**
[45] **Date of Patent: **Oct. 24, 1995**

[54] **ARTICULATED-ARM TELEPHONE SET SUPPORT**

[75] Inventor: **Bernd Brüssing**, Ulm/Donau, Germany

[73] Assignee: **Helit Innovative Buroprodukte GmbH**, Kierspe, Germany

[**] Term: **14 Years**

[21] Appl. No.: **22,491**

[22] Filed: **May 5, 1994**

[30] Foreign Application Priority Data

Nov. 6, 1993 [DE] Germany 93 08 824.8

[52] U.S. Cl. **D14/251; D19/88; D19/92**

[58] Field of Search D14/114, 140, D14/240, 251, 252, 253, 299; 379/455, 454, 457, 441; 248/458, 346, 122, 281.1; D6/418, 511; D19/87, 92, 88

[56] References Cited

U.S. PATENT DOCUMENTS

D. 34,084 2/1901 Griggs D14/251
D. 311,829 11/1990 Vossoughi D6/511 X

D. 320,980 10/1991 Howard et al. D14/114
D. 321,351 11/1991 Kirchner D14/251
D. 331,921 12/1992 Gutke et al. D14/114
D. 342,173 12/1993 Kirchner D6/511
D. 347,841 6/1994 Rossman D14/114
4,854,538 8/1989 Von Schalscha 248/346
4,923,154 5/1990 Konkle D14/114 X
5,071,049 12/1991 Mozer 379/455

Primary Examiner—Jeffrey Asch
Attorney, Agent, or Firm—Herbert Dubno

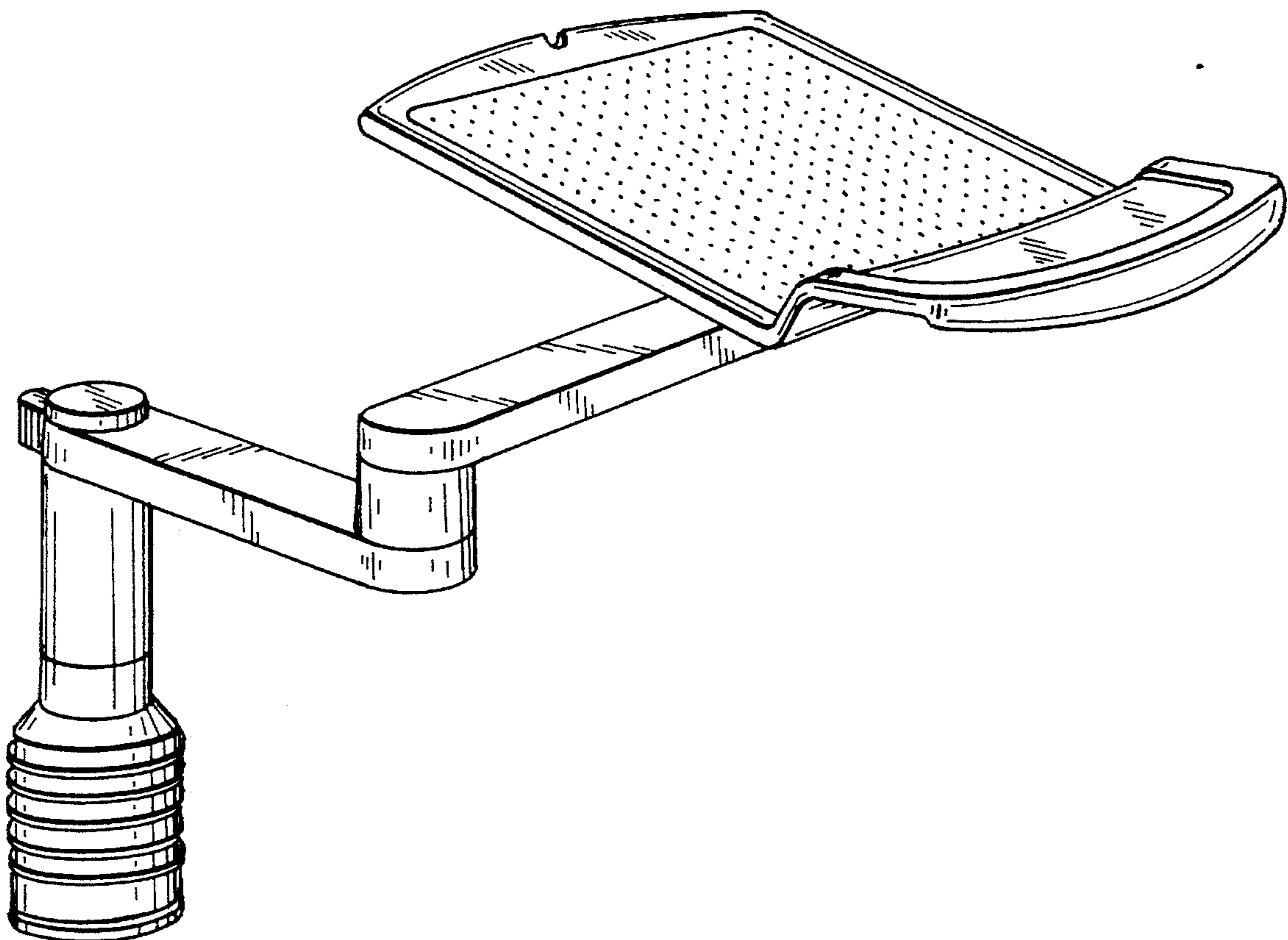
[57] CLAIM

The ornamental design for an articulated-arm telephone set support, as shown and described.

DESCRIPTION

FIG. 1 is a top left-side perspective view of an articulated-arm telephone set support showing my new design; FIG. 2 is a left-side elevational view thereof, the right side being mirror symmetrical thereto; FIG. 3 is a top plan view thereof; FIG. 4 is a bottom plan view thereof; FIG. 5 is a front view thereof; and, FIG. 6 is a rear view thereof.

1 Claim, 6 Drawing Sheets



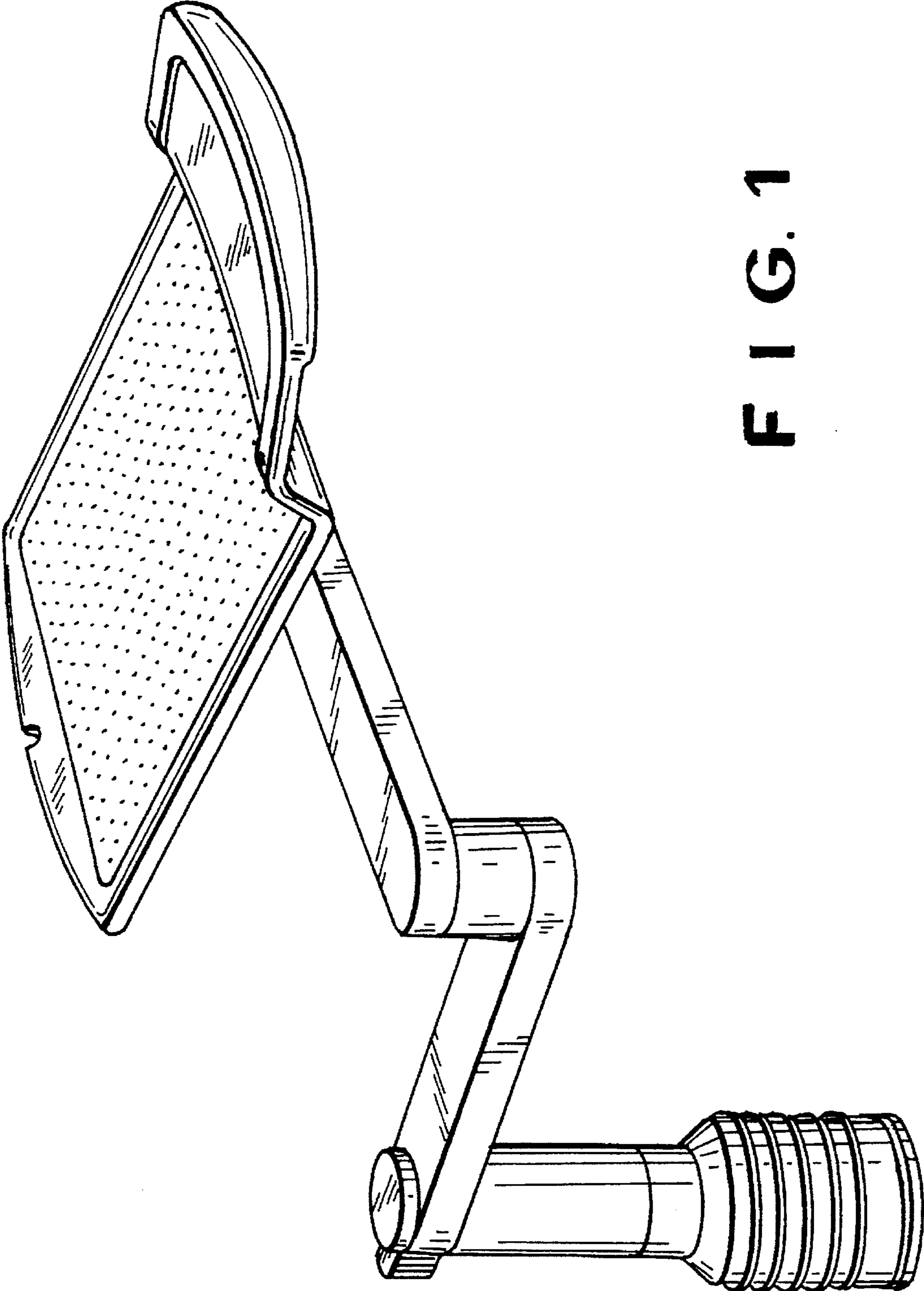
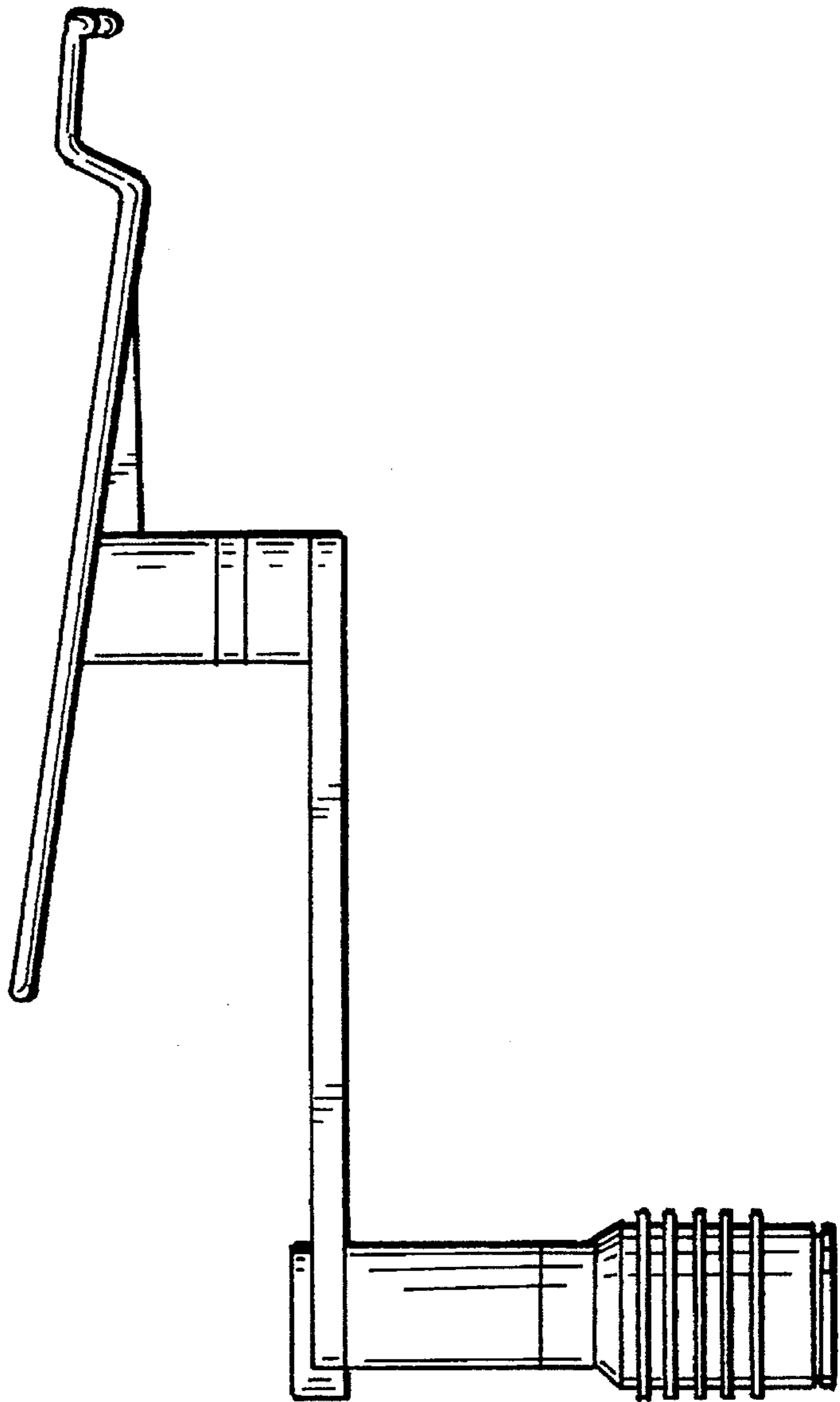


FIG. 1

FIG. 2



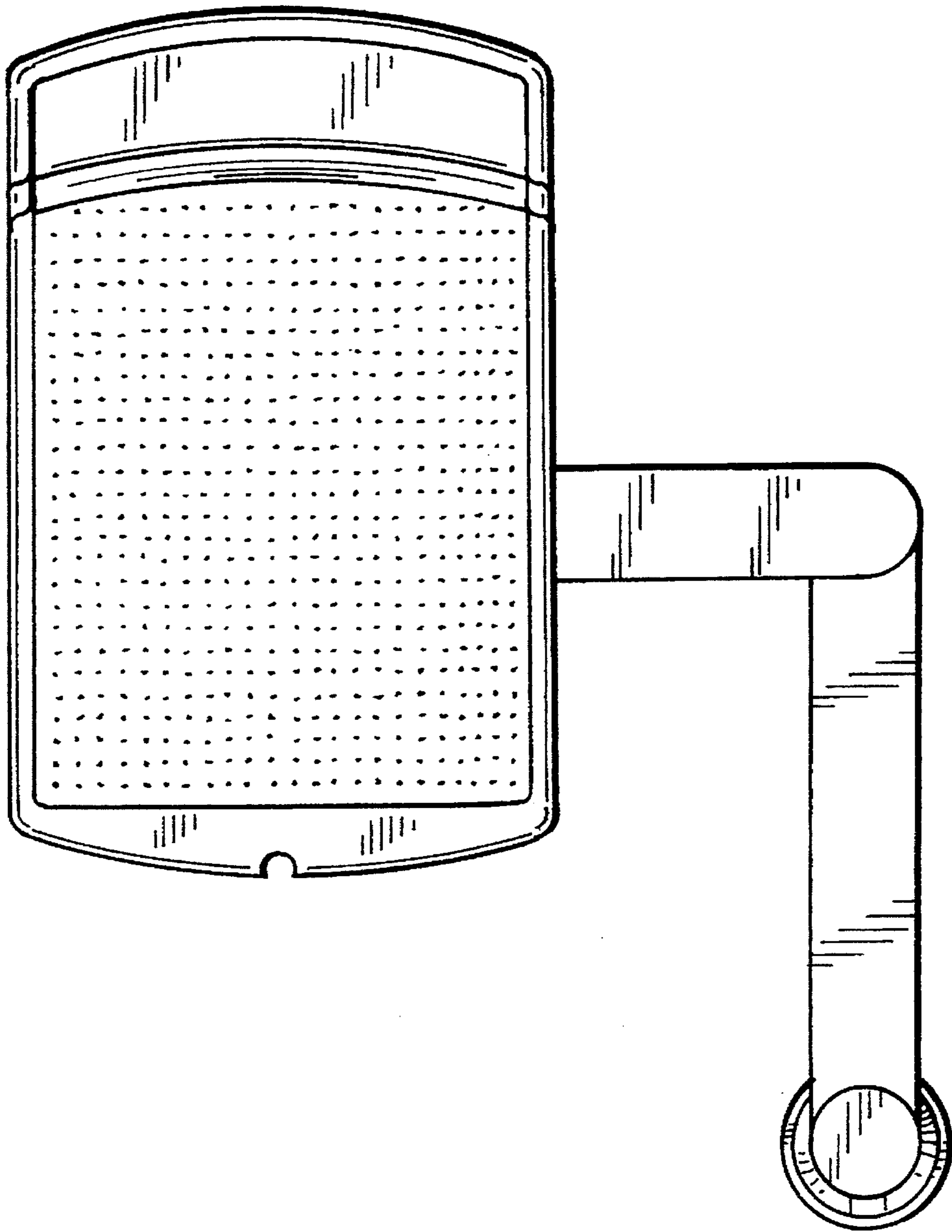


FIG. 3

FIG. 4

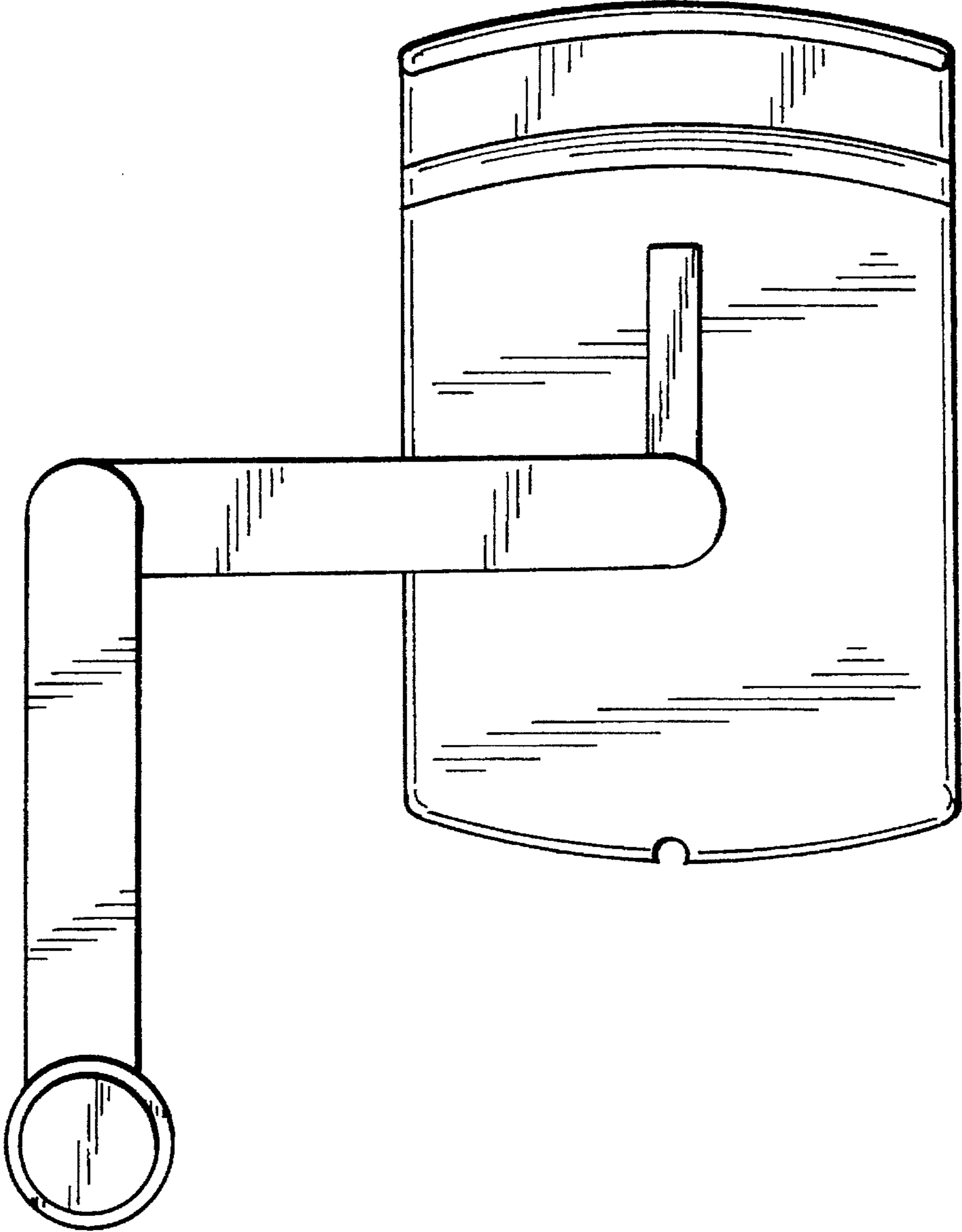


FIG. 5

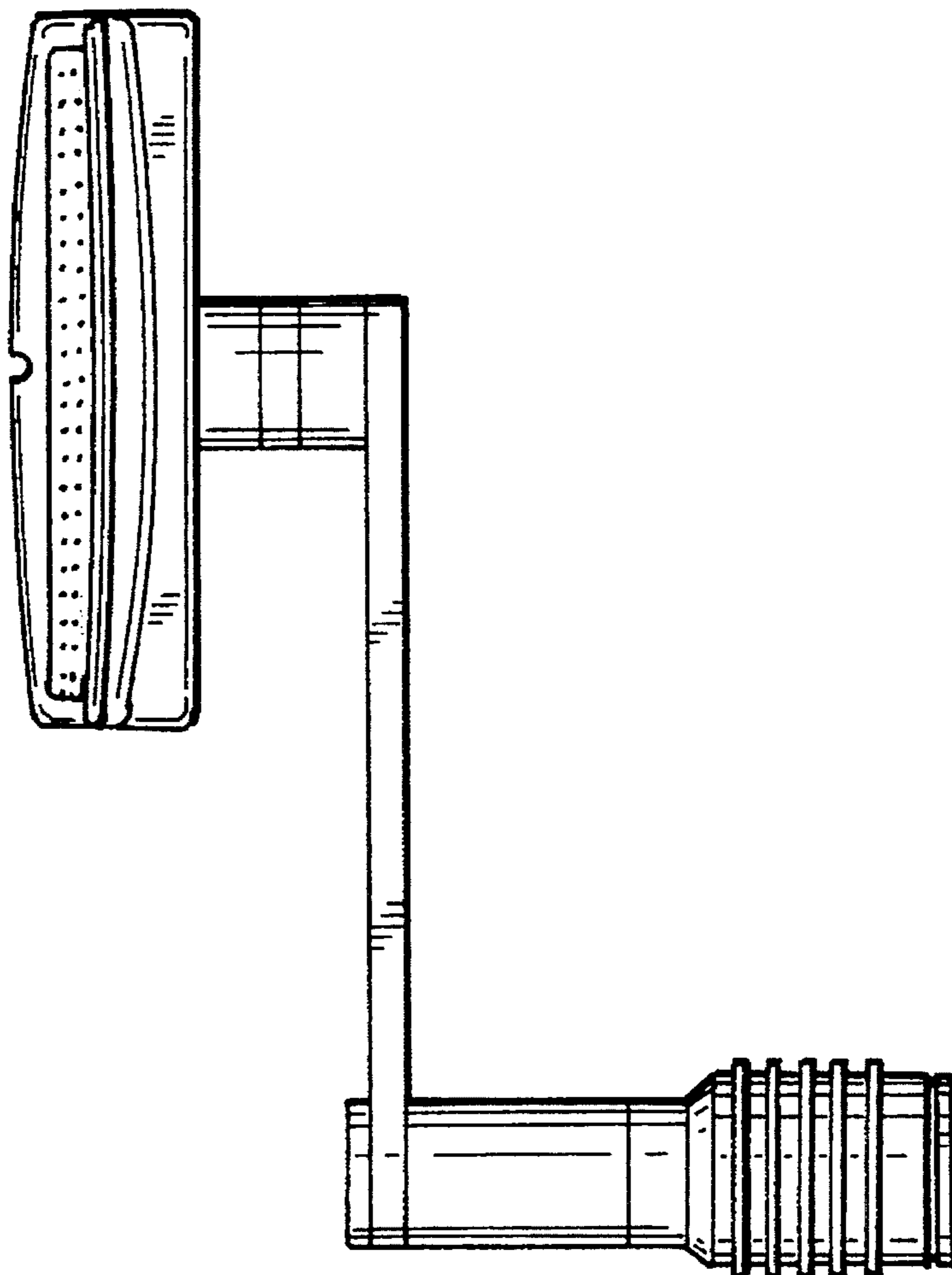


FIG. 6

