



US00D363489S

United States Patent [19]

Geneve et al.

[11] Patent Number: Des. 363,489

[45] Date of Patent: **Oct. 24, 1995

[54] TELEVISION ANTENNA

[76] Inventors: **Francois Geneve; Luc Heiligstein; Stephen Melamed**, all of Chicago, Ill.

[**] Term: 14 Years

[21] Appl. No.: 7,086

[22] Filed: Mar. 5, 1993

[52] U.S. Cl. D14/235

[58] Field of Search D14/230-238, D14/299; 343/713, 795

[56] References Cited

U.S. PATENT DOCUMENTS

2,699,348	1/1955	Fulop	343/805 X
2,755,465	7/1956	Ramsay	D14/236 X
2,932,822	4/1960	Hills et al.	343/807 X
3,564,554	2/1971	Schuller	343/880 X

Primary Examiner—Terry A. Wallace
Attorney, Agent, or Firm—R. Neil Sudol; Henry D. Coleman

[57] CLAIM

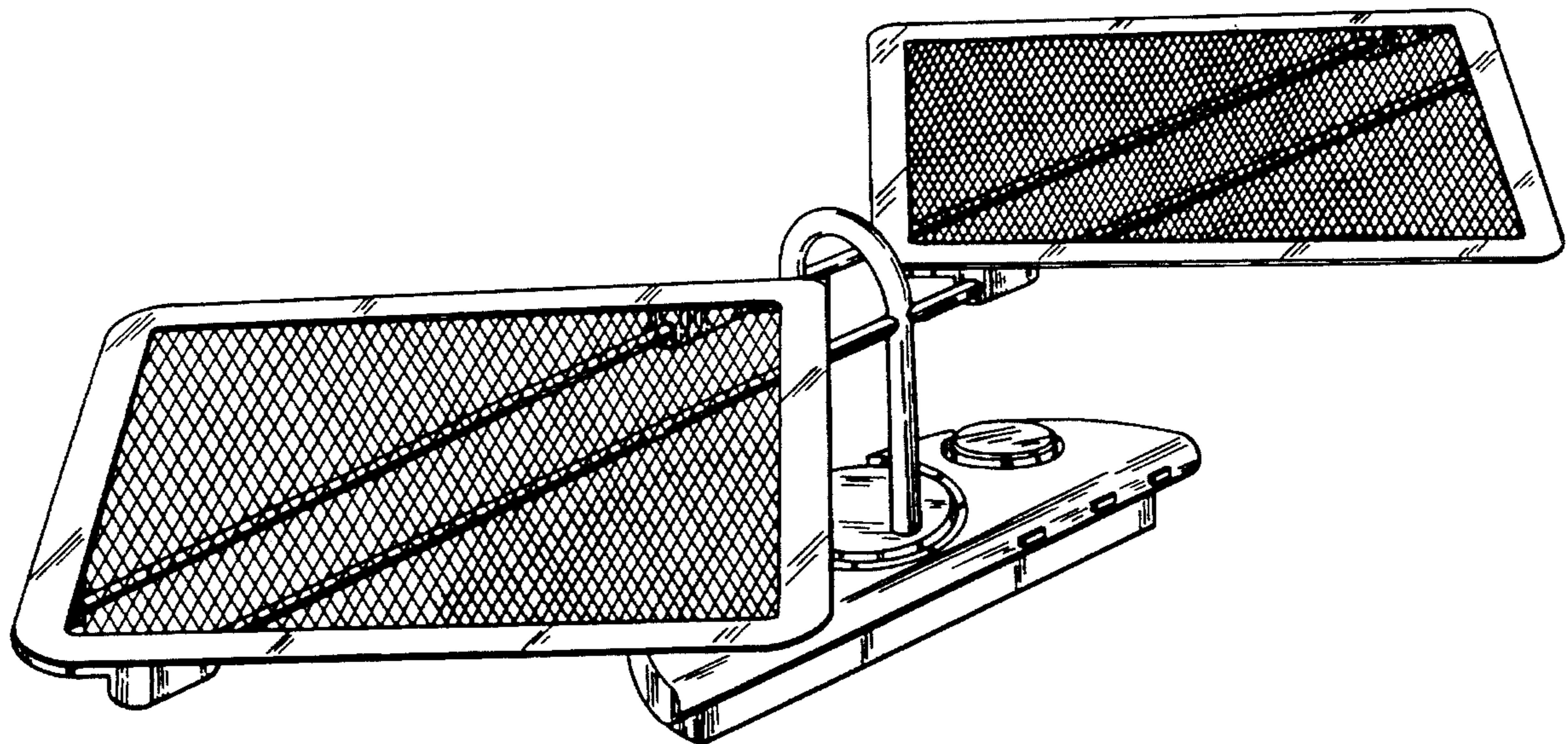
The ornamental design for the television antenna, as shown and described.

DESCRIPTION

FIG. 1 is a top, front, left side perspective view of a television antenna showing our new design;
 FIG. 2 is a top plan view thereof;
 FIG. 3 is a front elevational view thereof;
 FIG. 4 is a bottom plan view thereof;
 FIG. 5 is a rear elevational view thereof;
 FIG. 6 is a left side elevational view thereof;
 FIG. 7 is a right side elevational view thereof;
 FIG. 8 is a top plan view of one of the receiver portions shown separately for clarity of illustration; and,
 FIG. 9 is a bottom plan view of FIG. 8.

The receiver is partially shown in FIGS. 2-7 for ease of illustration. The screening of the receiver portion is shown partially in FIG. 8 for ease of illustration.

1 Claim, 6 Drawing Sheets



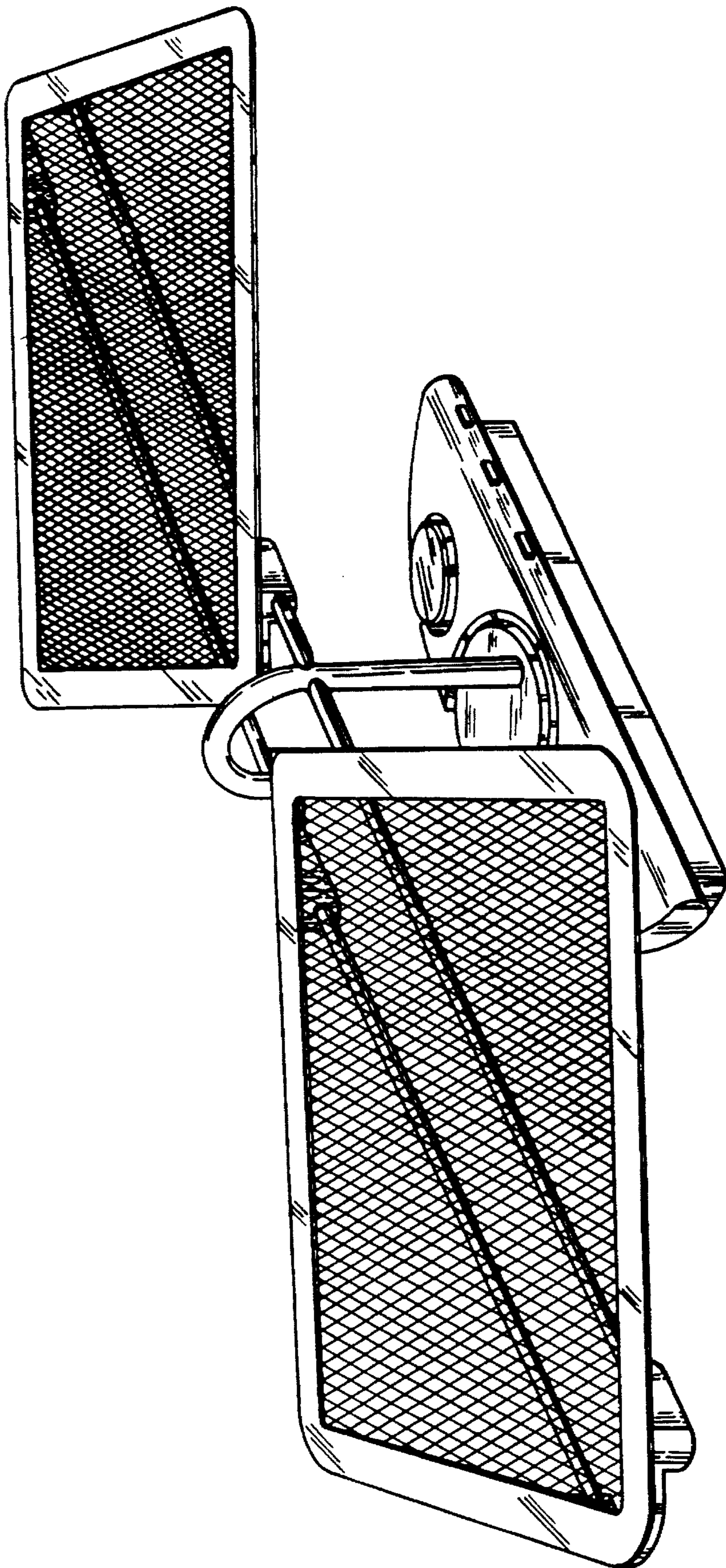


FIG. 1

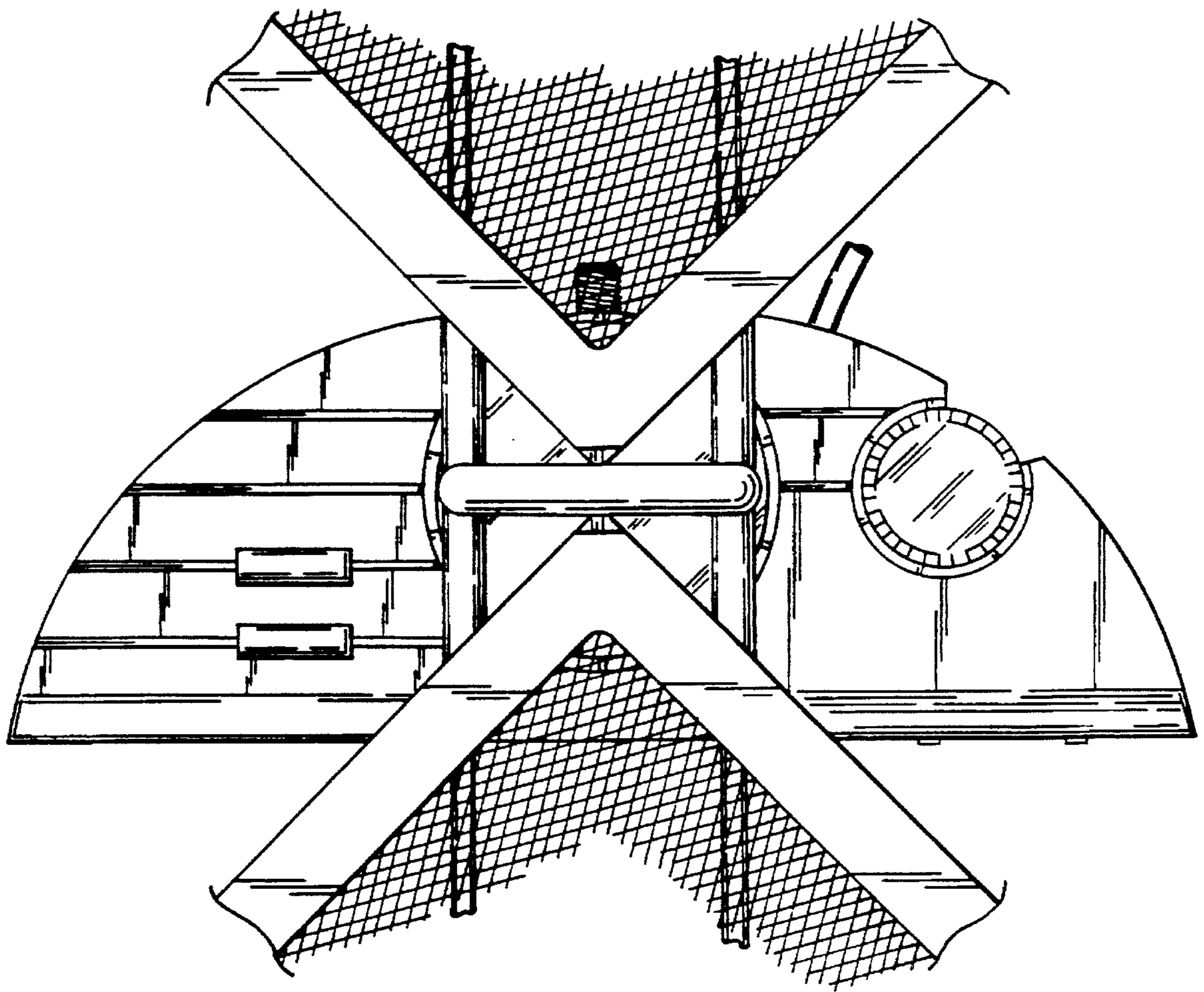


FIG. 2

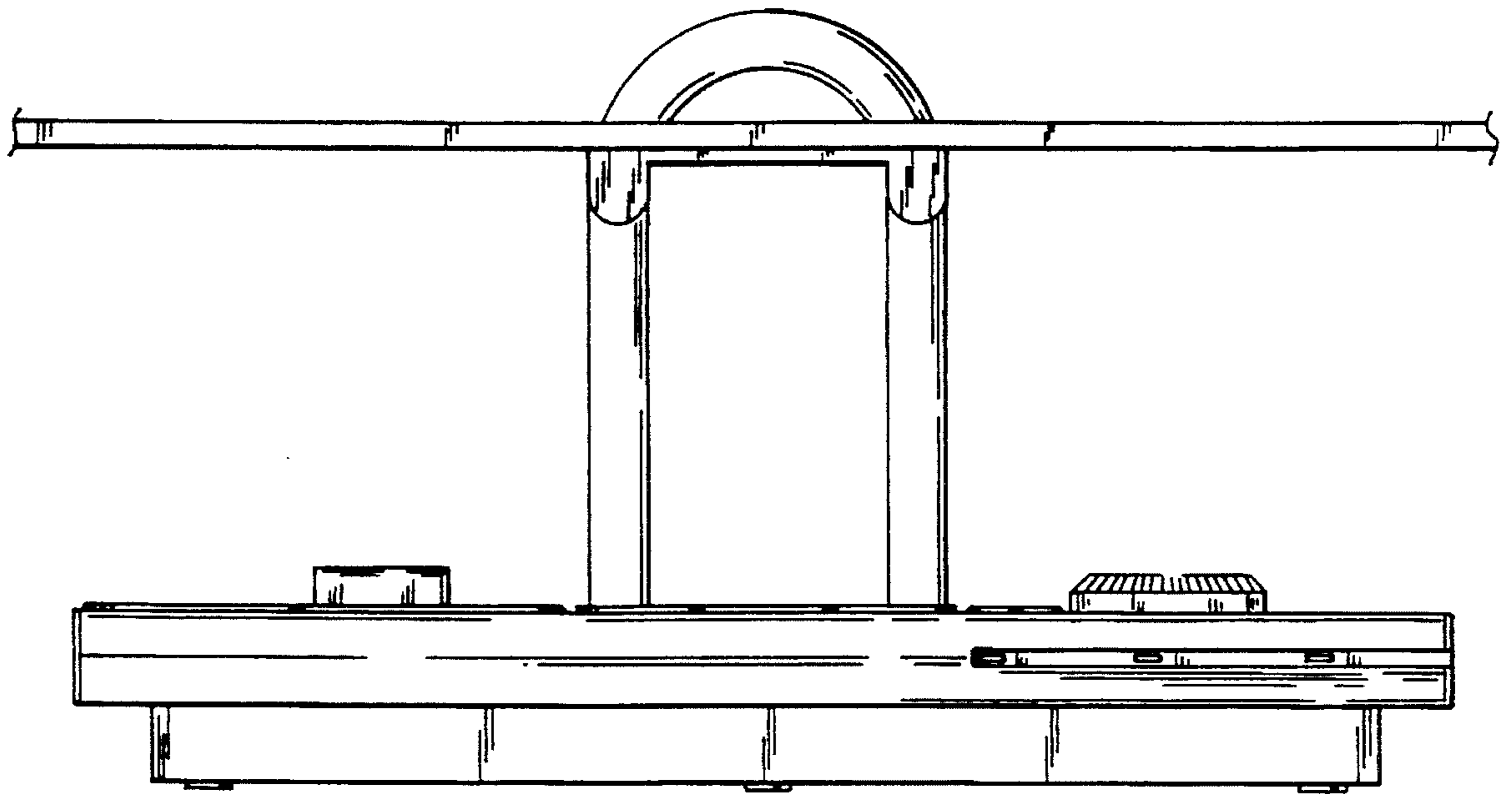


FIG. 3

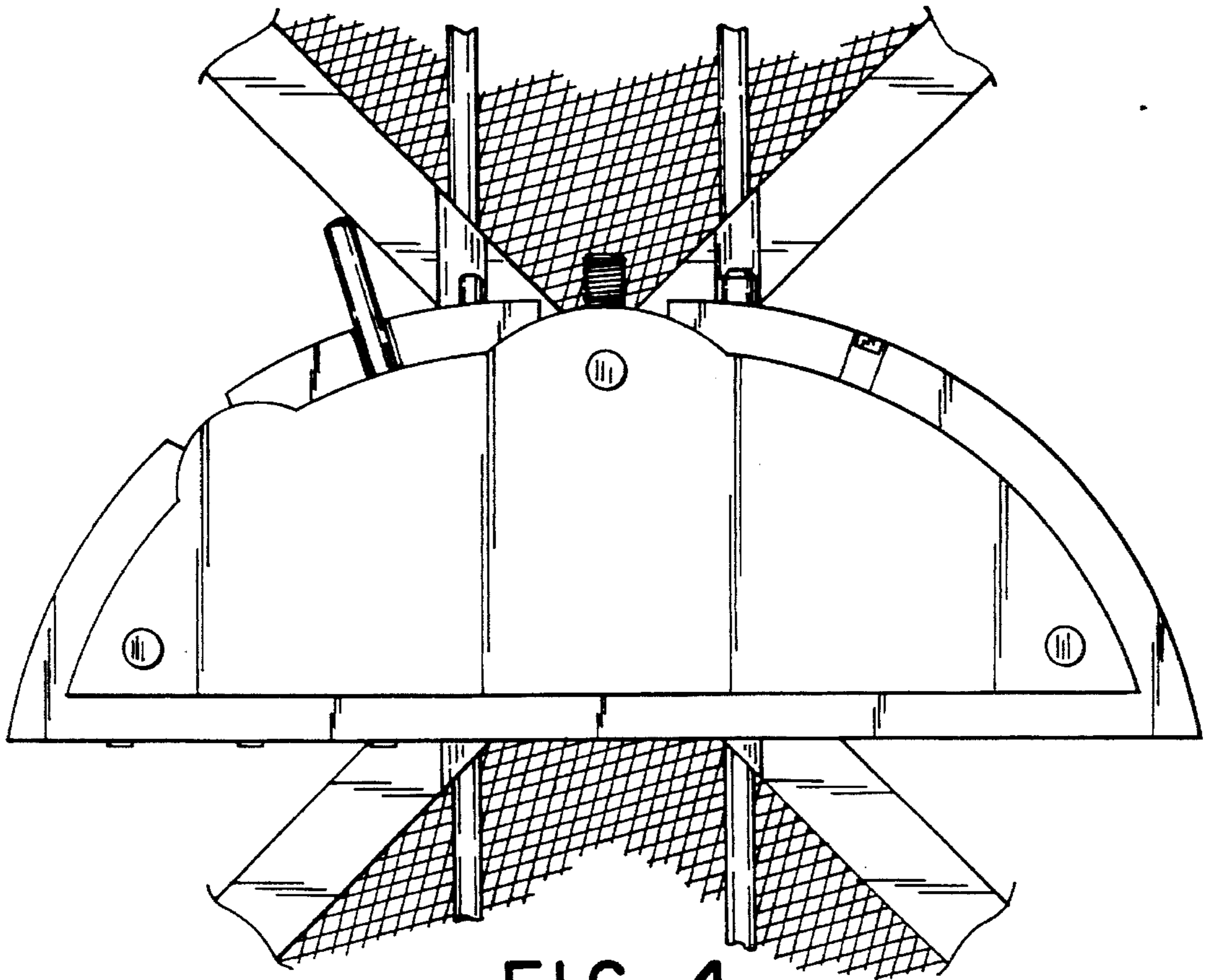


FIG. 4

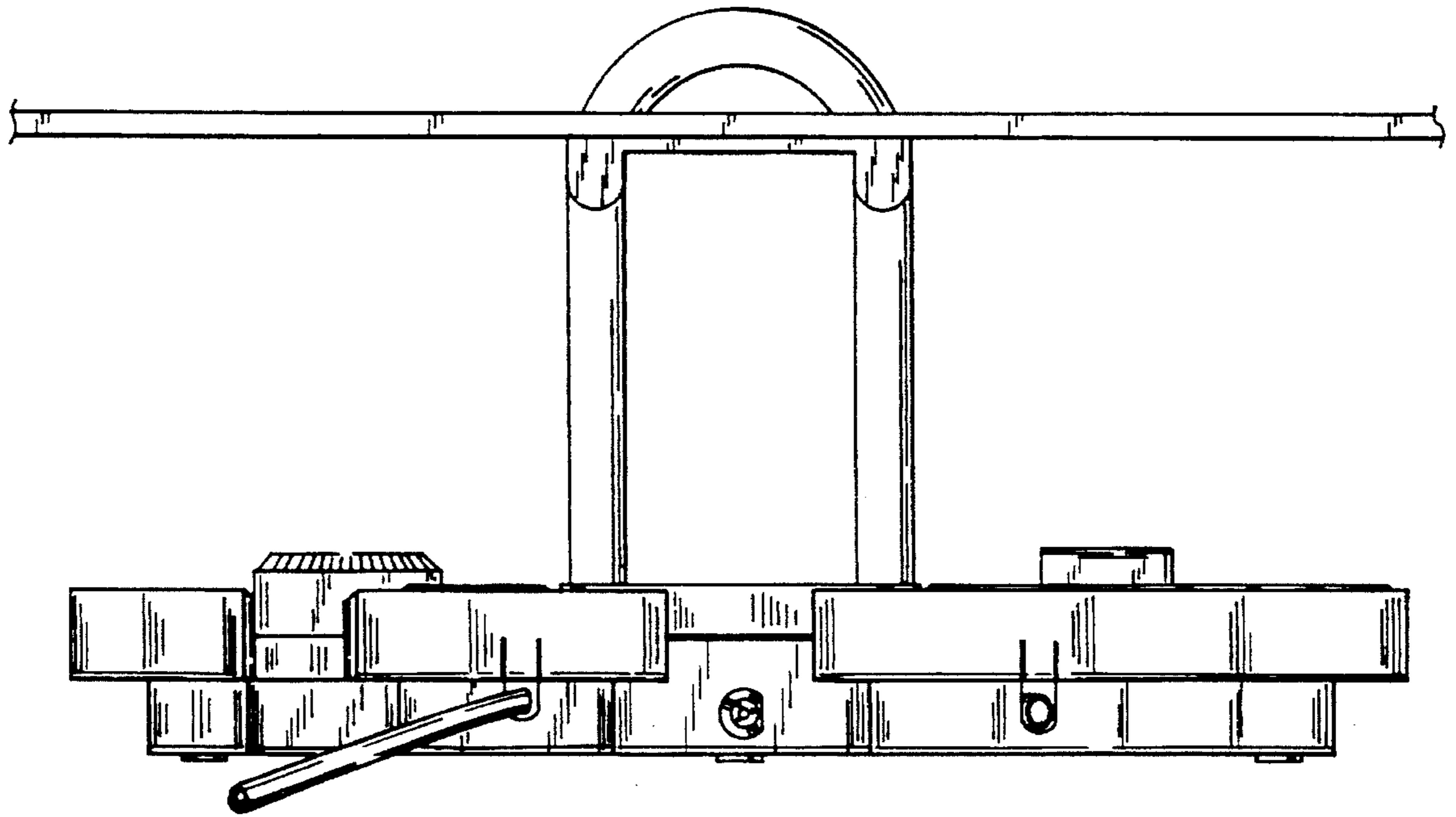


FIG. 5

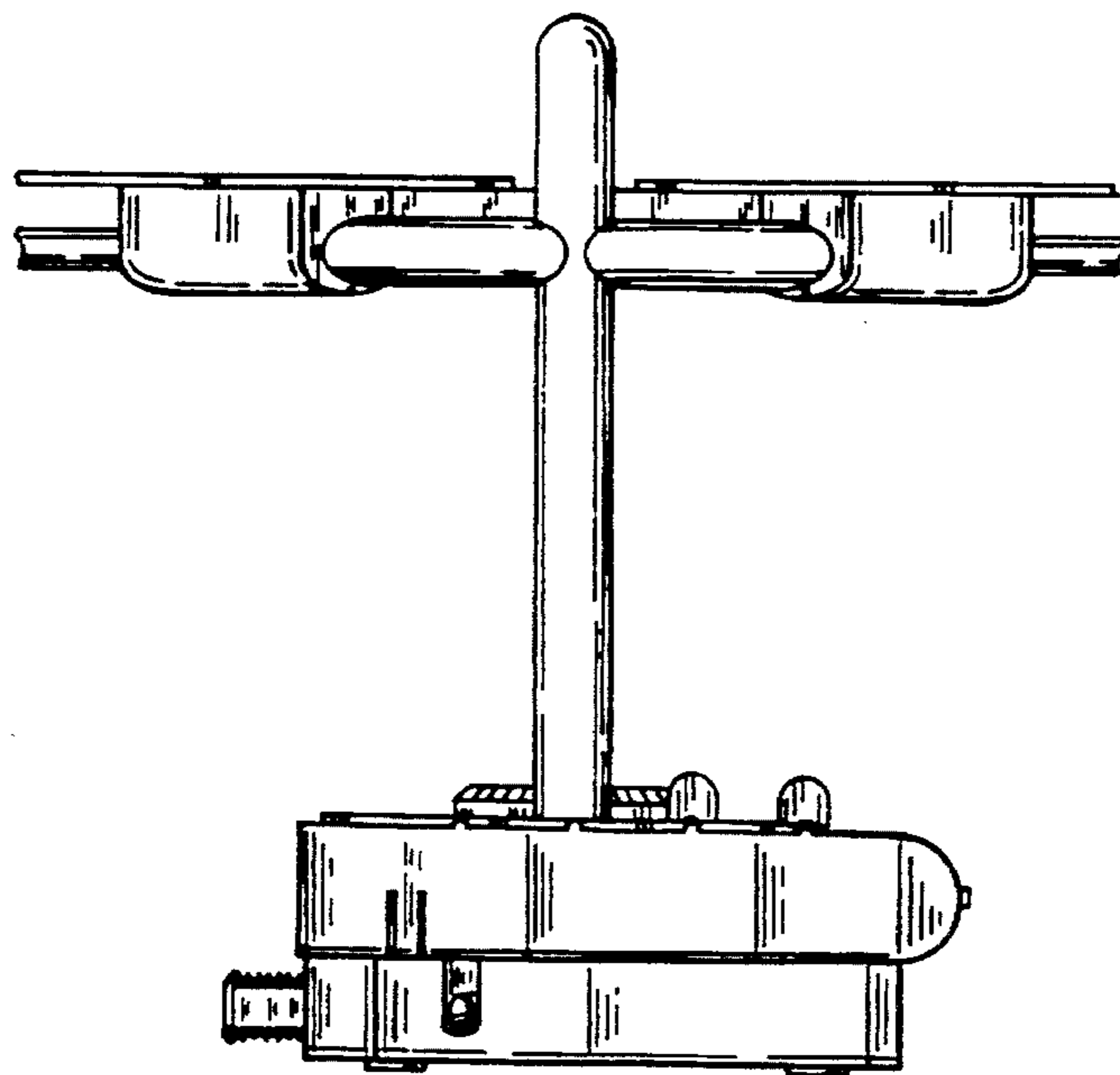


FIG. 6

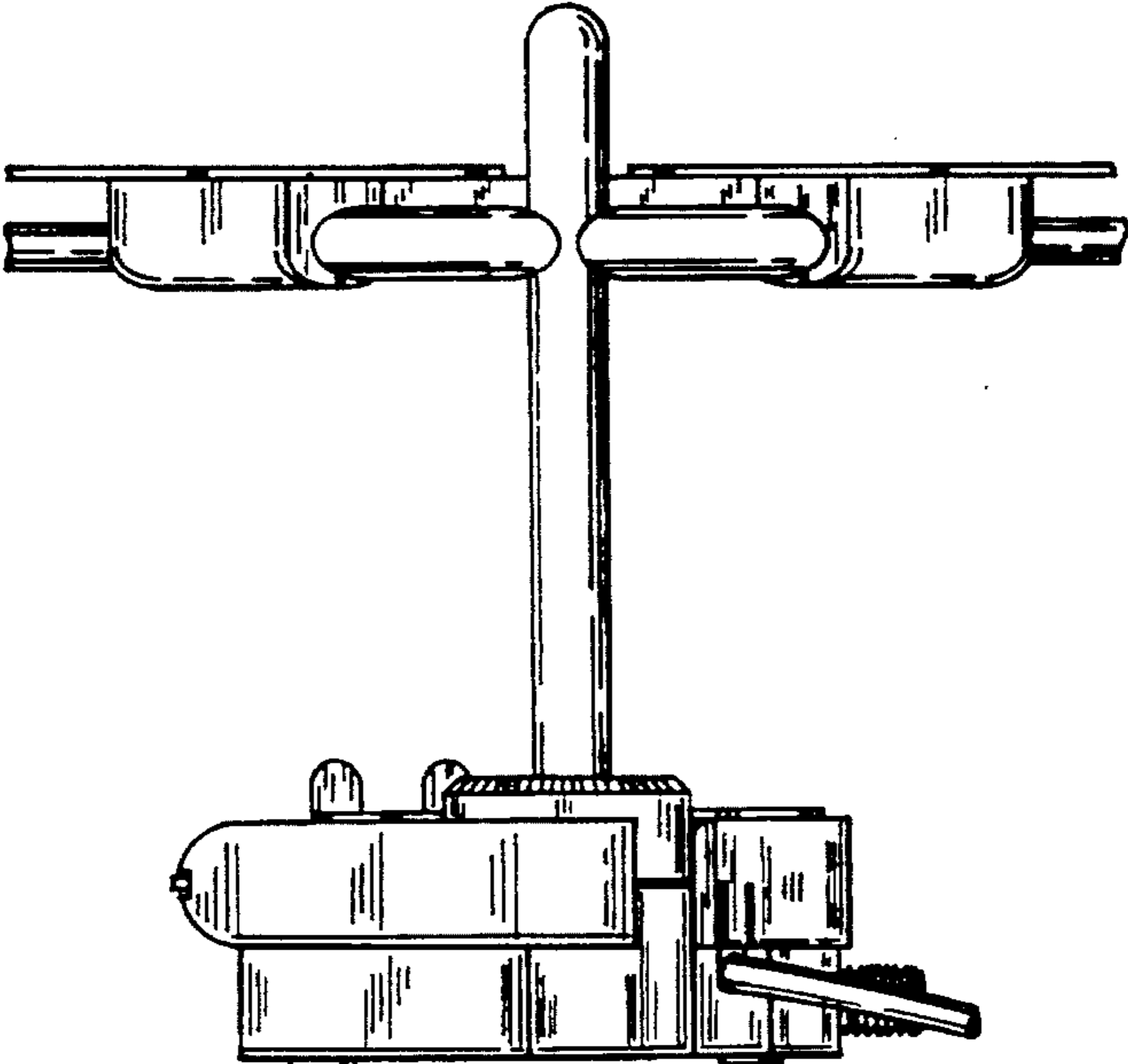


FIG. 7

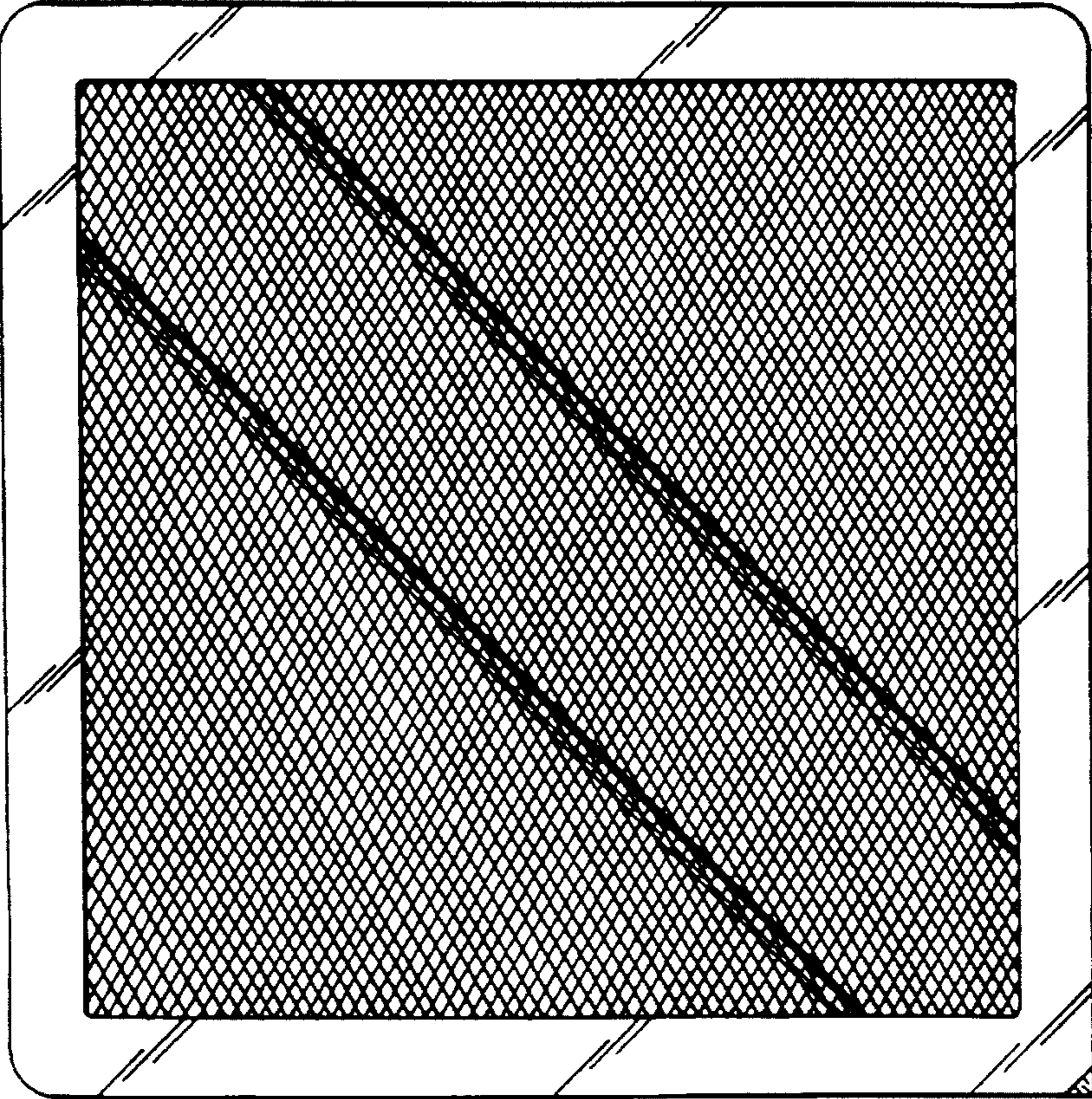


FIG. 8

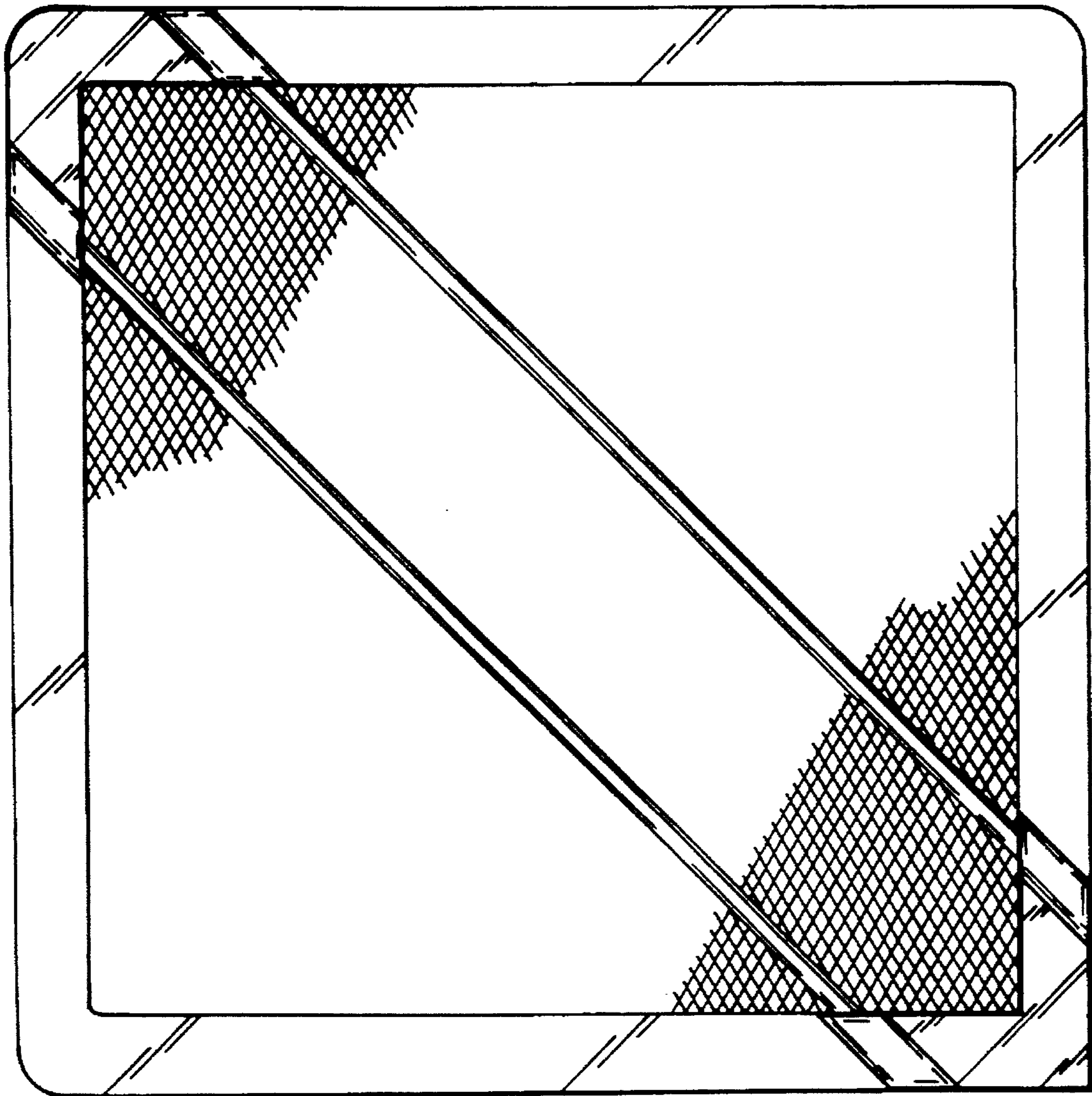


FIG. 9