



US00D363488S

United States Patent [19] Shumaker

[11] Patent Number: **Des. 363,488**

[45] Date of Patent: ****Oct. 24, 1995**

[54] **QUARTER WAVE HELIX ANTENNA**

2,510,688 6/1950 Evans et al. D14/238 X

[75] Inventor: **Paul Shumaker**, Olathe, Kans.

Primary Examiner—Dominic Simone

Attorney, Agent, or Firm—Kokjer, Kircher, Bowman & Johnson

[73] Assignee: **Garmin Corporation**, Lenexa, Kans.

[**] Term: **14 Years**

[57] CLAIM

[21] Appl. No.: **28,931**

The ornamental design for a quarter wave helix antenna, as shown and described.

[22] Filed: **Sep. 26, 1994**

DESCRIPTION

[52] U.S. Cl. **D14/230**

[58] **Field of Search** D14/230, 236,
D14/237; 343/720, 761, 781 R, 900, 901,
907, 908, 912

FIG. 1 is a front elevational view of a quarter wave helix antenna showing my new design, the rear being a mirror image;

FIG. 2 is a left side elevational view thereof;

FIG. 3 is a right side elevational view thereof;

FIG. 4 is a top plan view thereof; and,

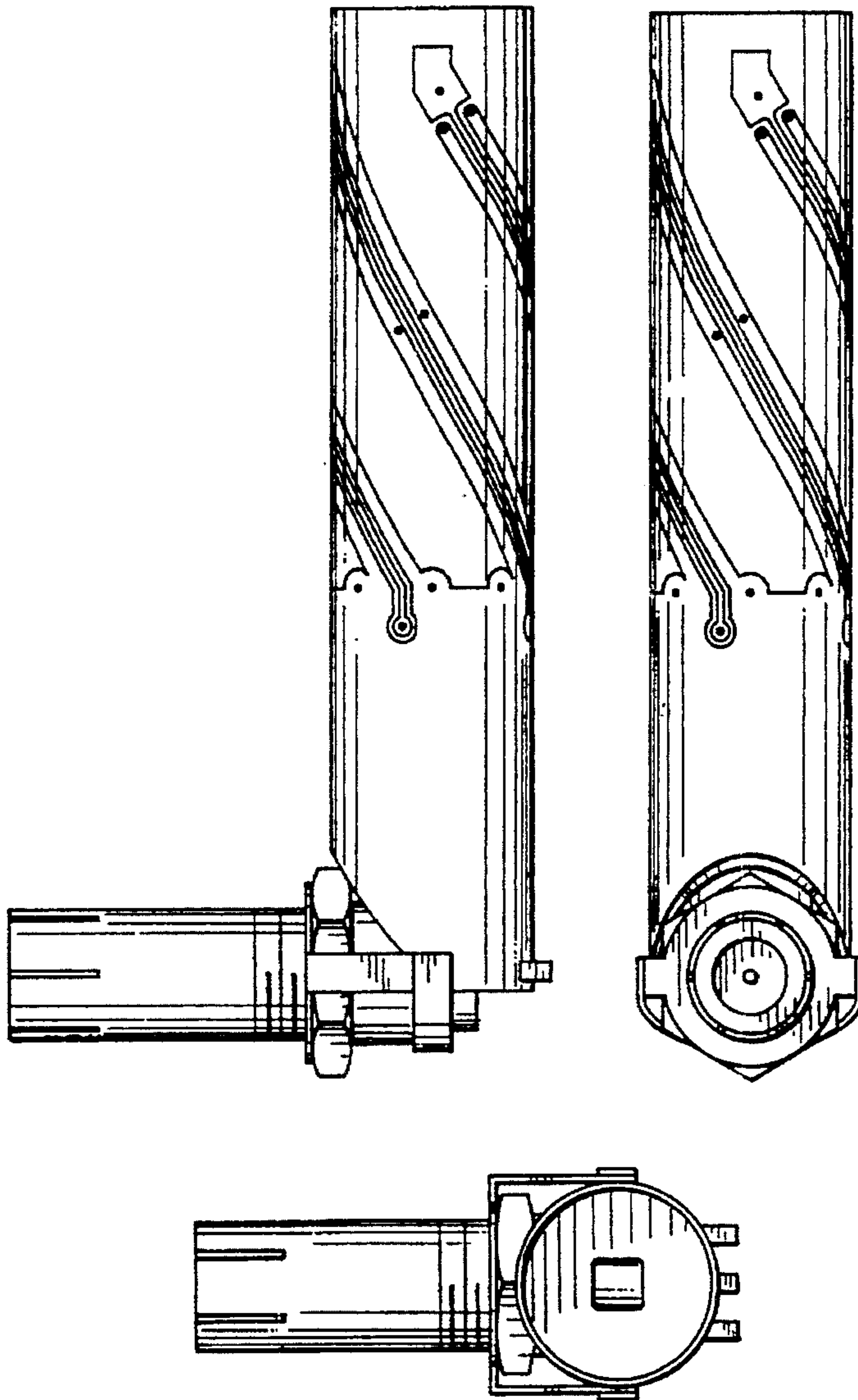
FIG. 5 is a bottom plan view thereof.

[56] References Cited

U.S. PATENT DOCUMENTS

D. 158,122	4/1950	Pennington	D14/238
D. 212,849	12/1968	Miller	D14/230
D. 315,351	3/1991	Velazquez	D14/238

1 Claim, 1 Drawing Sheet



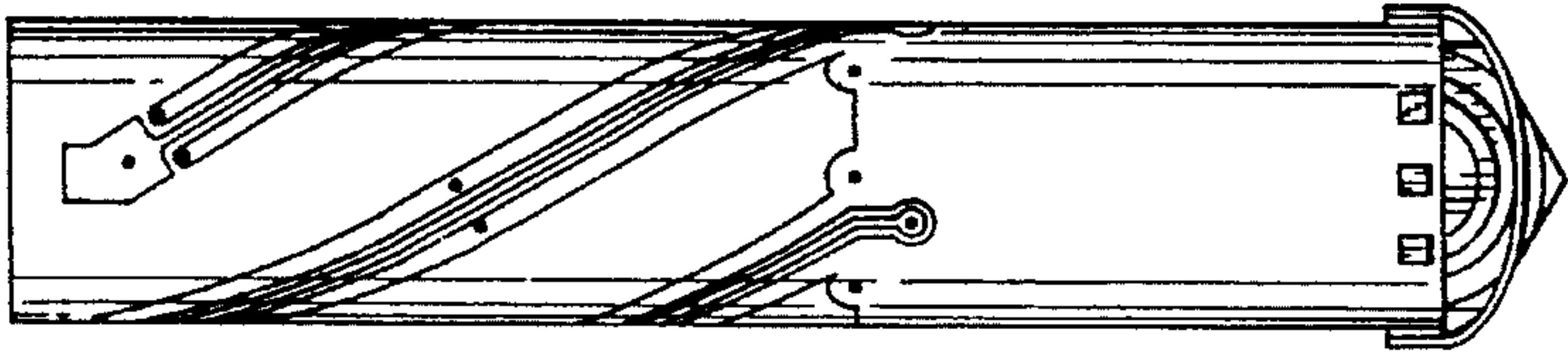


Fig. 3.

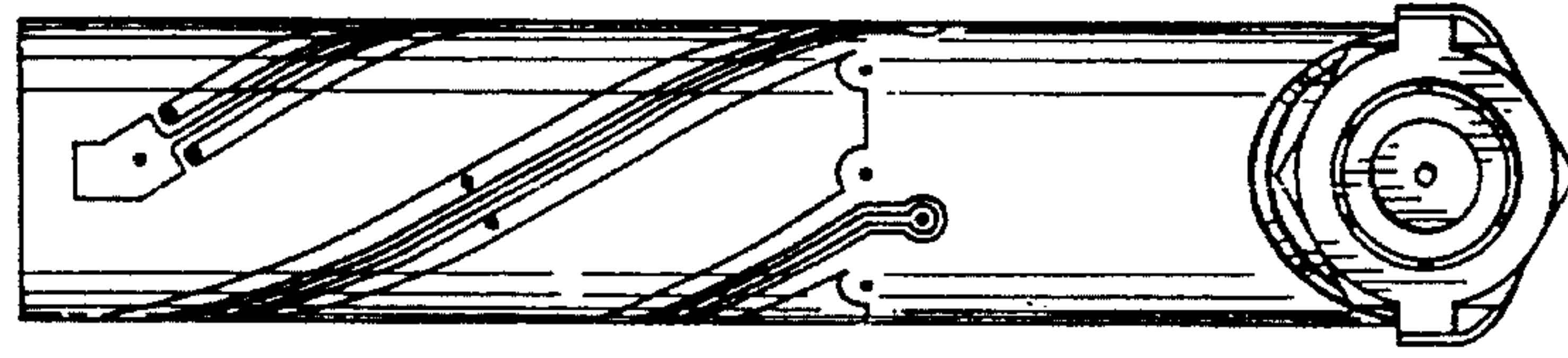


Fig. 2.

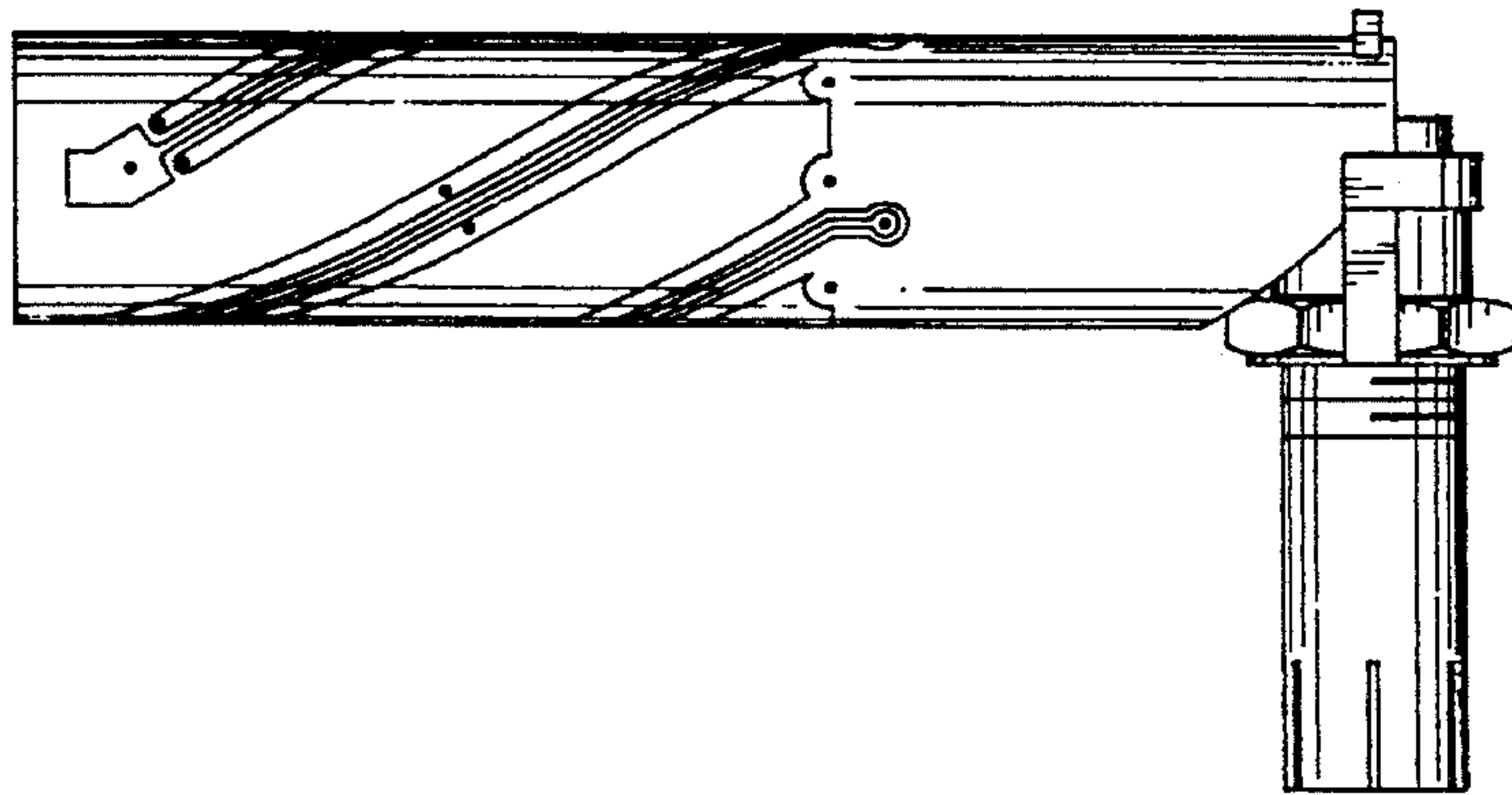


Fig. 1.

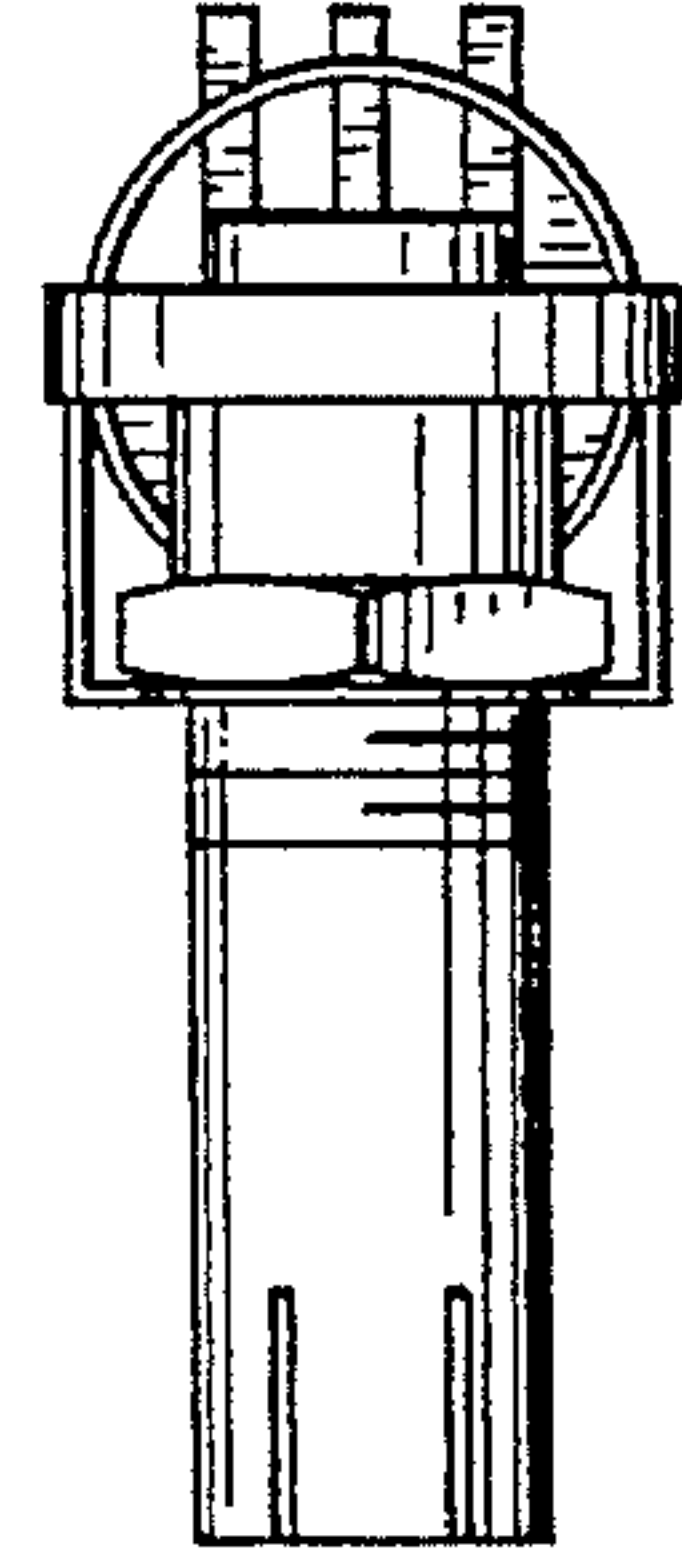


Fig. 5.

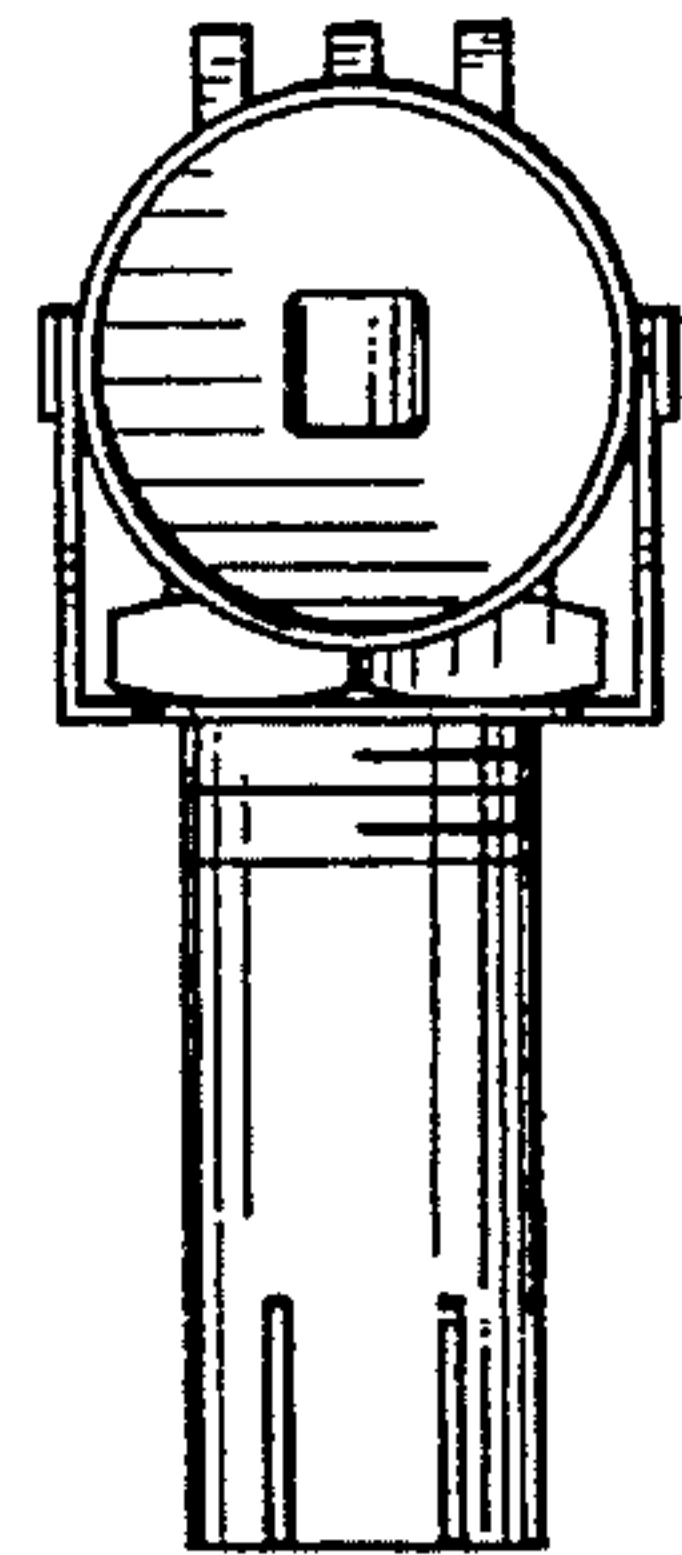


Fig. 4.