



US00D363484S

# United States Patent [19]

[11] Patent Number: **Des. 363,484**

**Klitsner et al.**

[45] Date of Patent: **\*\*Oct. 24, 1995**

[54] **CHILD'S RADIO RECEIVER**

[75] Inventors: **Dan Klitsner**, Oakland; **Mark Eastwood**, San Francisco, both of Calif.; **Richard R. Neitz**, Sugarland, Tex.

[73] Assignee: **Diversified Specialists, Inc.**, Houston, Tex.

[\*\*] Term: **14 Years**

[21] Appl. No.: **27,511**

[22] Filed: **Aug. 23, 1994**

|            |         |          |       |         |
|------------|---------|----------|-------|---------|
| D. 304,832 | 11/1989 | Murphy   | ..... | D14/165 |
| D. 311,006 | 10/1990 | Hino     | ..... | D14/165 |
| D. 311,537 | 10/1990 | Tsuchiya | ..... | D14/165 |
| D. 333,136 | 2/1993  | Yu       | .     |         |

**OTHER PUBLICATIONS**

Radio Shack 1991 Cat. No. 459 p. 35; toy portable sing-along player #1.

*Primary Examiner*—B. J. Bullock

*Attorney, Agent, or Firm*—Schweitzer Cornman & Gross

[57] **CLAIM**

The ornamental design for a child's radio receiver, as shown and described.

**Related U.S. Application Data**

[62] Division of Ser. No. 864,915, Apr. 3, 1992, Pat. No. Des. 350,132.

[52] **U.S. Cl.** ..... **D14/196; D14/198**

[58] **Field of Search** ..... D14/164, 165, D14/167, 168, 188, 194-198; D21/111-113; 455/344, 350-351

**DESCRIPTION**

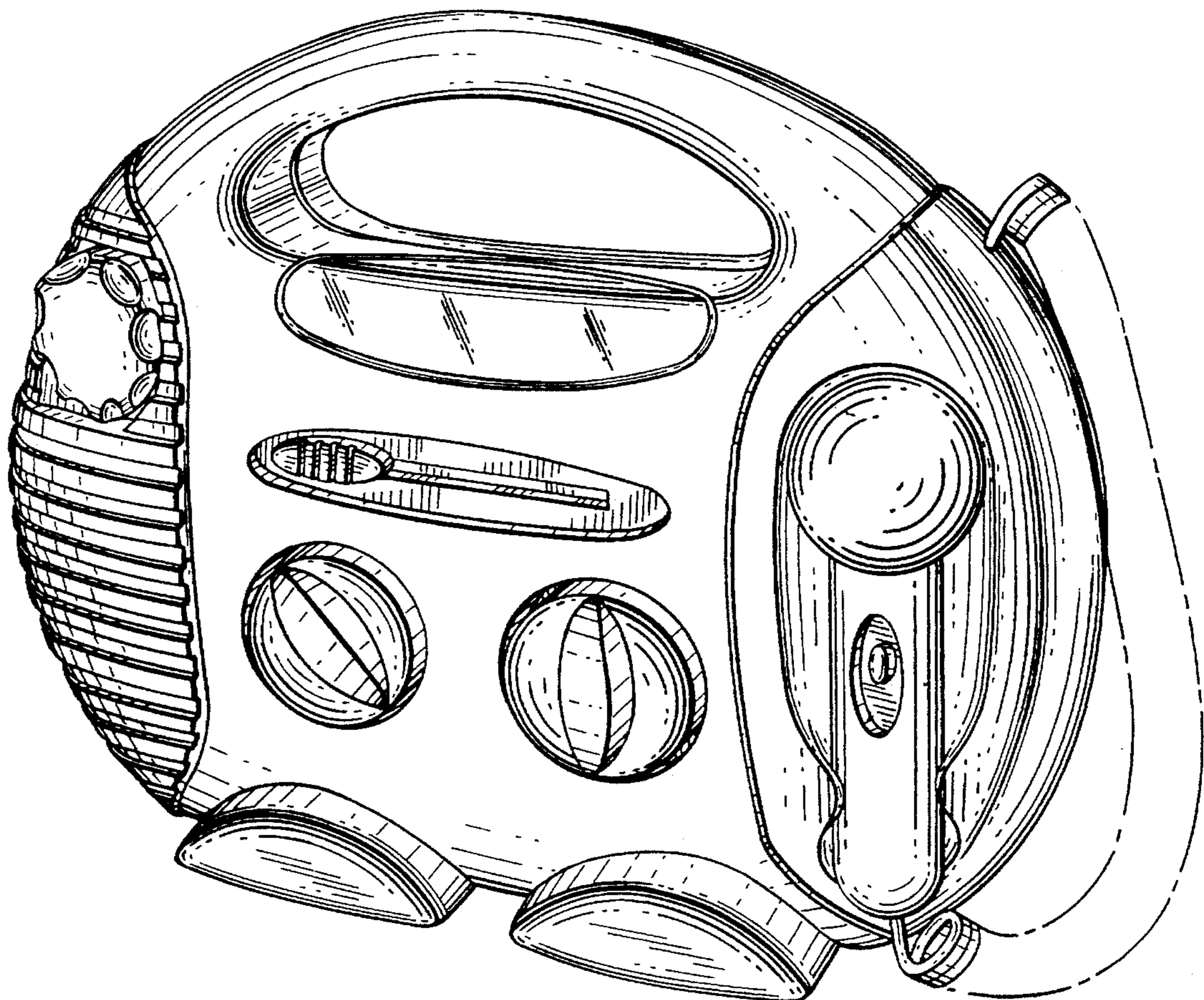
FIG. 1 is a perspective view of a child's radio receiver embodying our new design;  
FIG. 2 is a front elevational view thereof, the coiled cord which is partially shown is understood to repeat uniformly throughout the circumscribed area;  
FIG. 3 is a right side elevational view thereof;  
FIG. 4 is a top plan view thereof;  
FIG. 5 is a bottom plan view thereof;  
FIG. 6 is a left side elevational view thereof; and,  
FIG. 7 is a rear elevational view thereof.

[56] **References Cited**

**U.S. PATENT DOCUMENTS**

|            |        |                |       |         |
|------------|--------|----------------|-------|---------|
| D. 267,662 | 1/1983 | Lambert et al. | .     |         |
| D. 277,474 | 2/1985 | Miura          | ..... | D14/165 |
| D. 290,843 | 7/1987 | Murphy         | ..... | D14/196 |

**1 Claim, 4 Drawing Sheets**



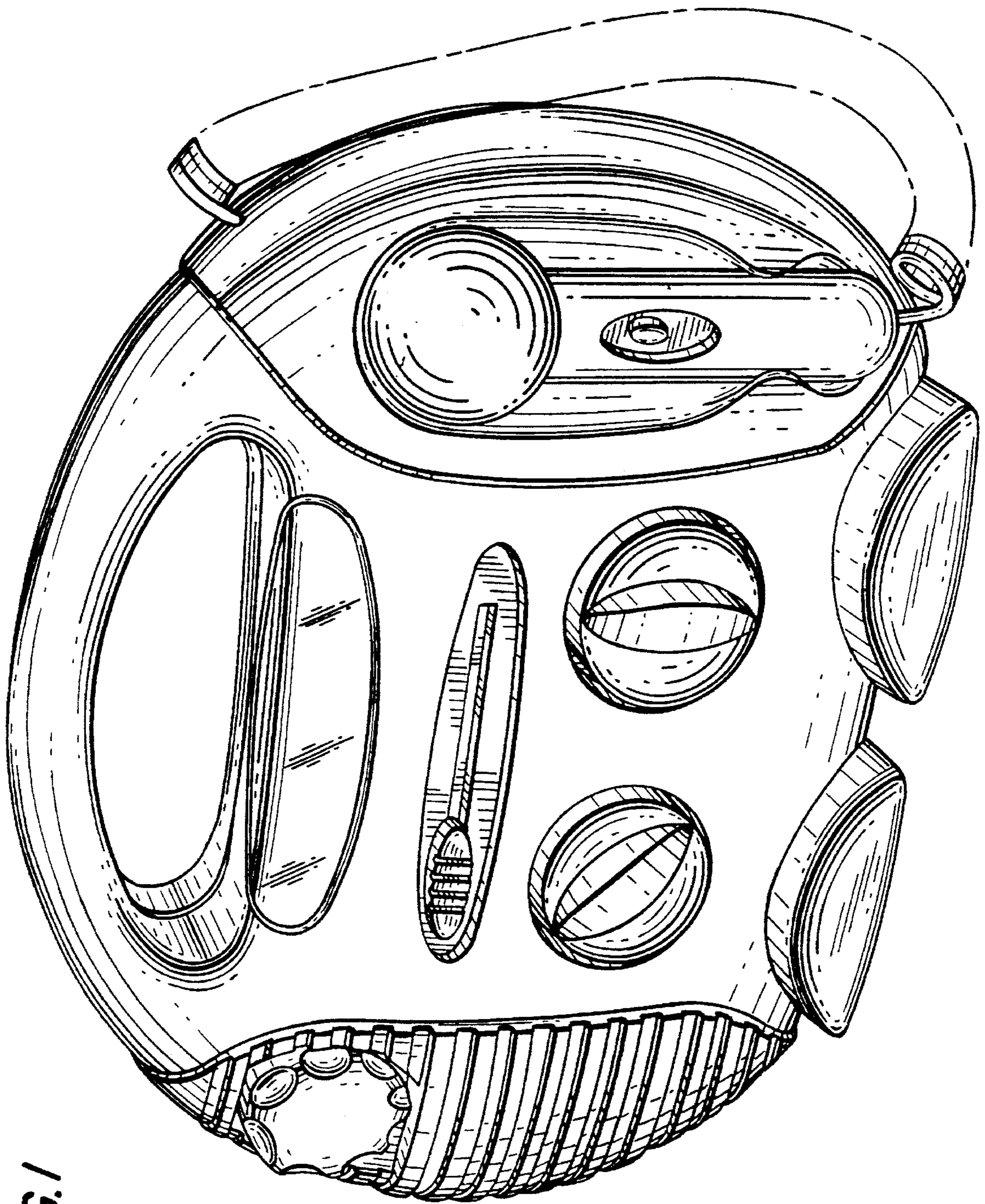


FIG. 1

FIG.3

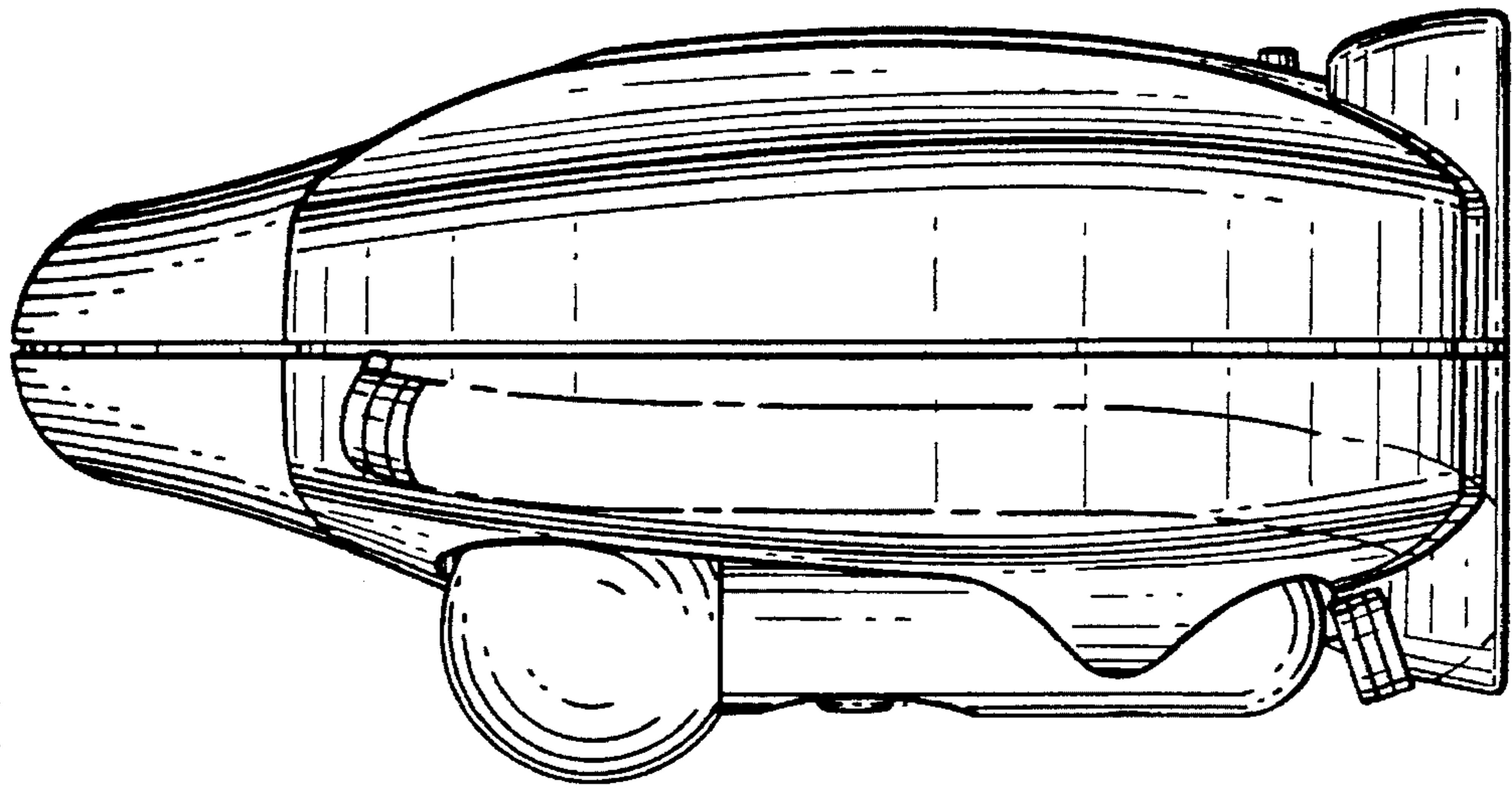
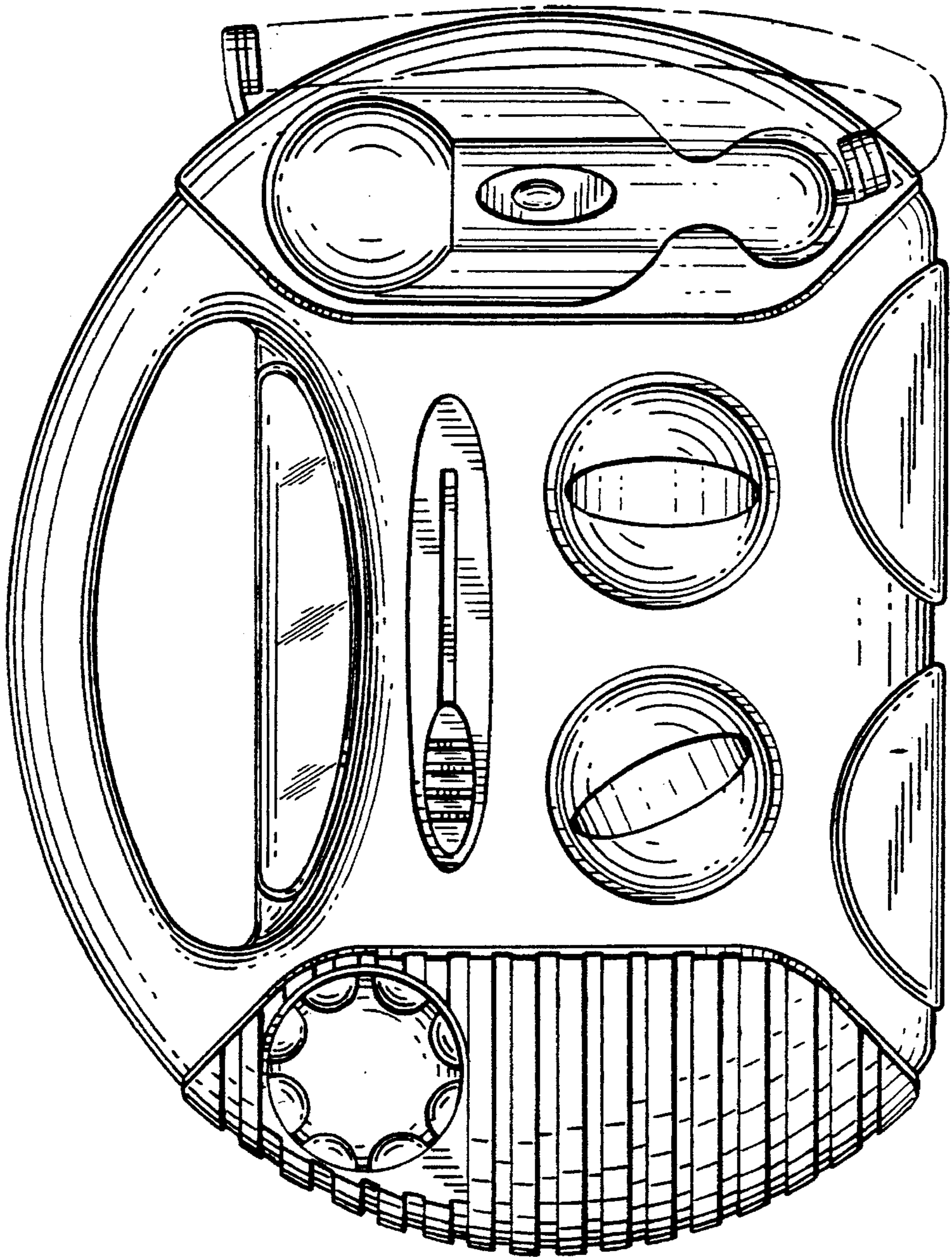


FIG.2



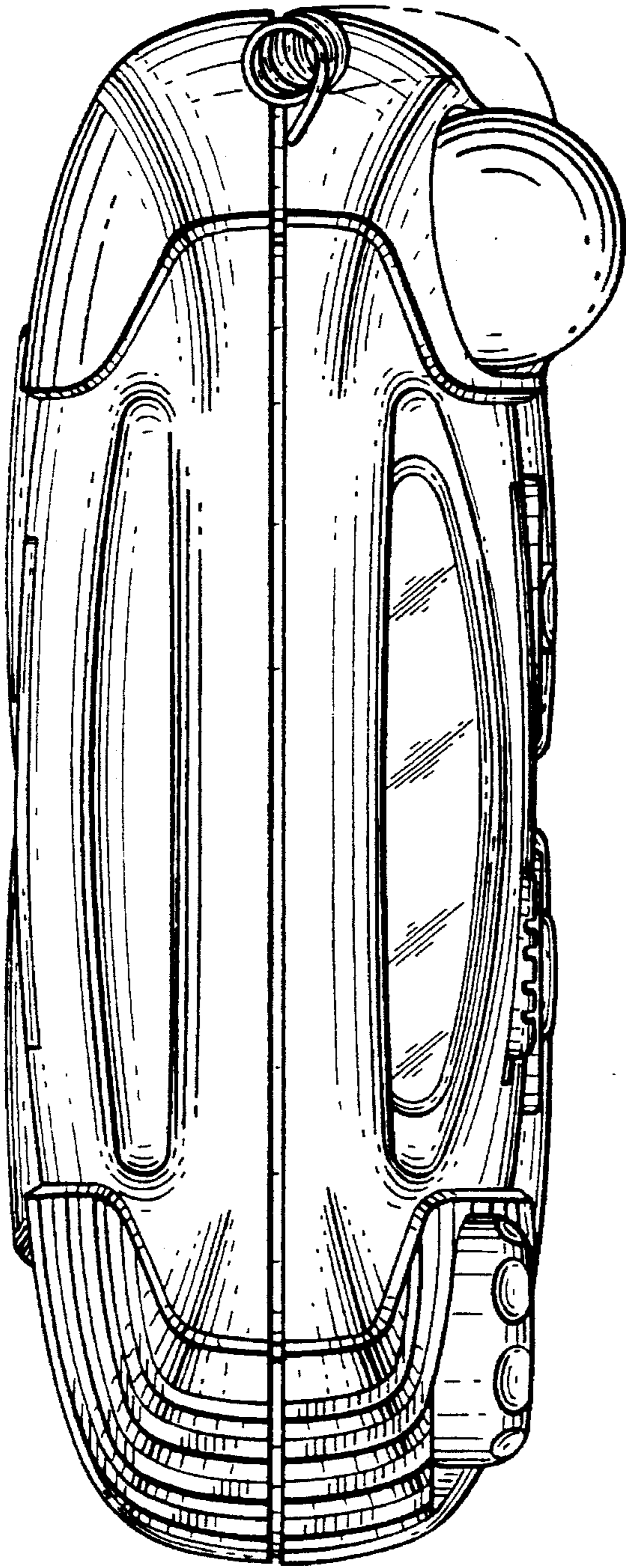


FIG. 4

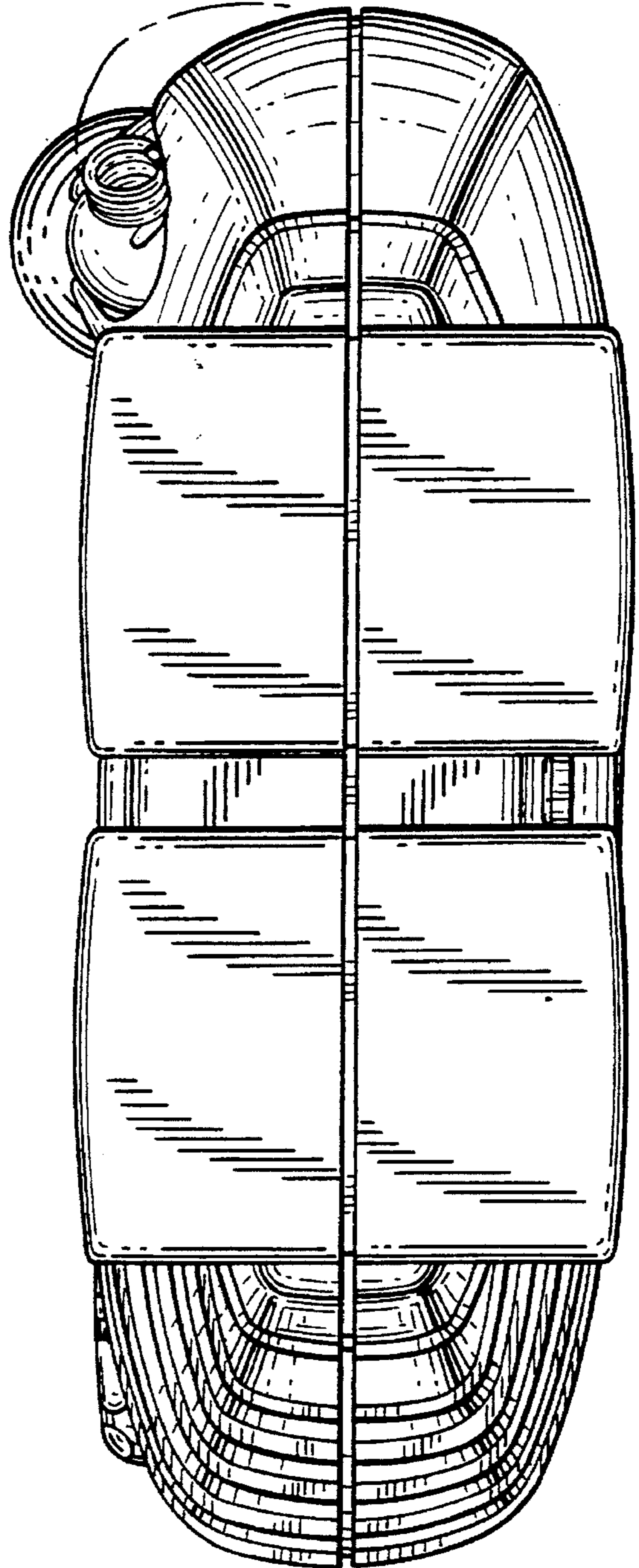


FIG. 5

FIG. 7

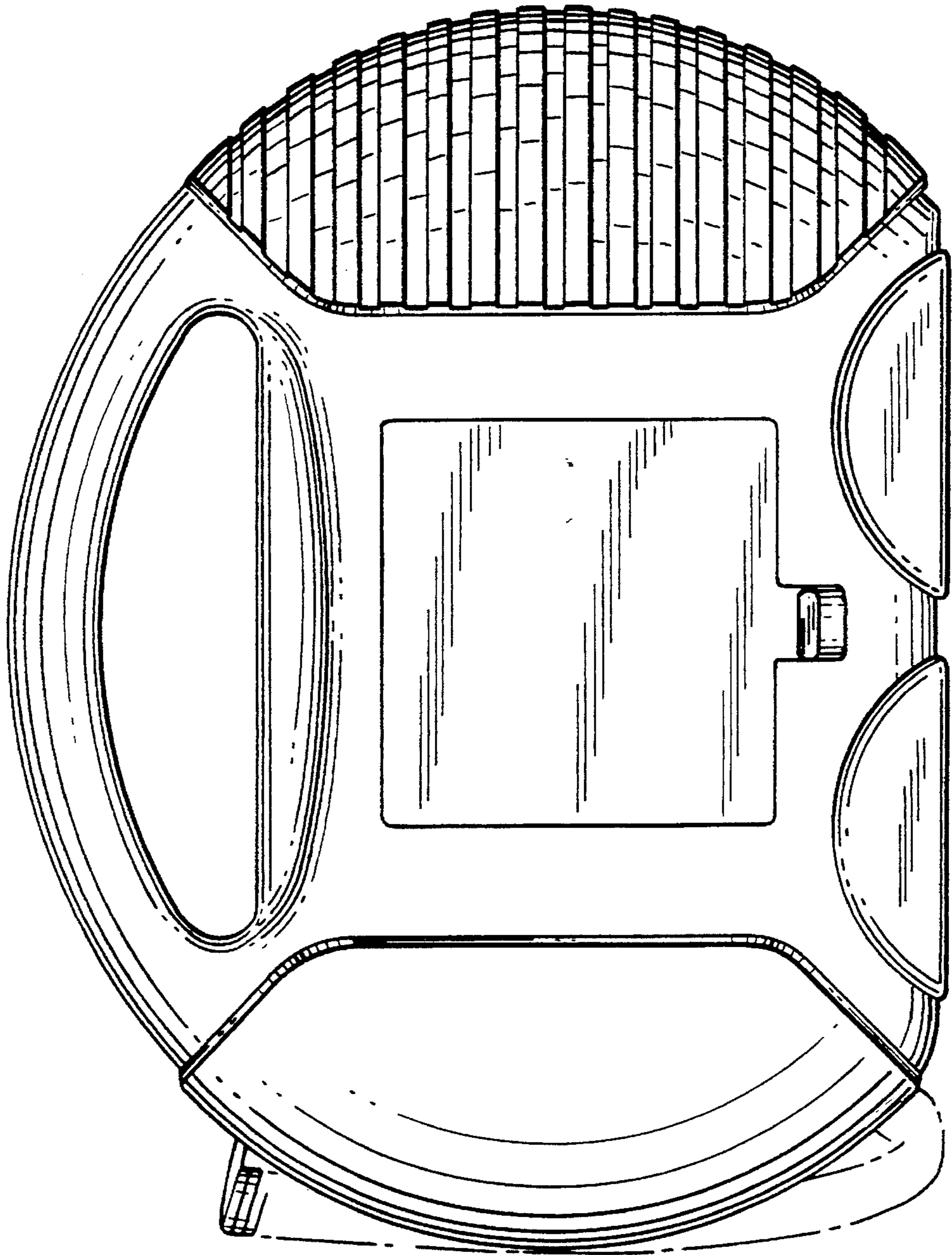


FIG. 6

