



US00D363481S

United States Patent [19]

Tsuruoka

[11] Patent Number: **Des. 363,481**

[45] Date of Patent: ****Oct. 24, 1995**

[54] FACSIMILE TRANSCEIVER

[75] Inventor: **Hideo Tsuruoka**, Chiba, Japan

[73] Assignee: **Tokyo Electric Co., Ltd.**, Tokyo, Japan

[**] Term: **14 Years**

[21] Appl. No.: **19,710**

[22] Filed: **Mar. 10, 1994**

[52] U.S. Cl. **D14/118**

[58] Field of Search D14/116, 118,
D14/124, 299; D18/36, 37; 358/400, 401

[56] References Cited

U.S. PATENT DOCUMENTS

D. 314,957	2/1991	Tsukada	D14/118
D. 316,255	4/1991	Yokoyama et al.	D14/118
D. 331,051	11/1992	Inukai	D14/118
D. 355,178	2/1995	Sawada et al.	D14/118
5,172,243	12/1992	Hayashi et al.	388/400
5,183,431	2/1993	Todokoro	D14/118 X
5,337,165	8/1994	Riousset et al.	358/401 X

FOREIGN PATENT DOCUMENTS

0070867 4/1985 Japan 358/400

OTHER PUBLICATIONS

Soft Warehouse, The Computer Superstore 1989-1990, p. 34.

Radio Shack, Aug. 1990, p. 4.

Primary Examiner—Prabhakar G. Deshmukh

Attorney, Agent, or Firm—Bacon & Thomas

[57] CLAIM

The ornamental design for a facsimile transceiver, as shown.

DESCRIPTION

FIG. 1 is a front, top and right side perspective view of a facsimile transceiver, showing my new design; FIG. 2 is a front elevational view thereof; FIG. 3 is a rear elevational view thereof; FIG. 4 is a right side elevational view thereof; FIG. 5 is a left side elevational view thereof; FIG. 6 is a top plan view thereof; and, FIG. 7 is a bottom plan view thereof.

1 Claim, 3 Drawing Sheets

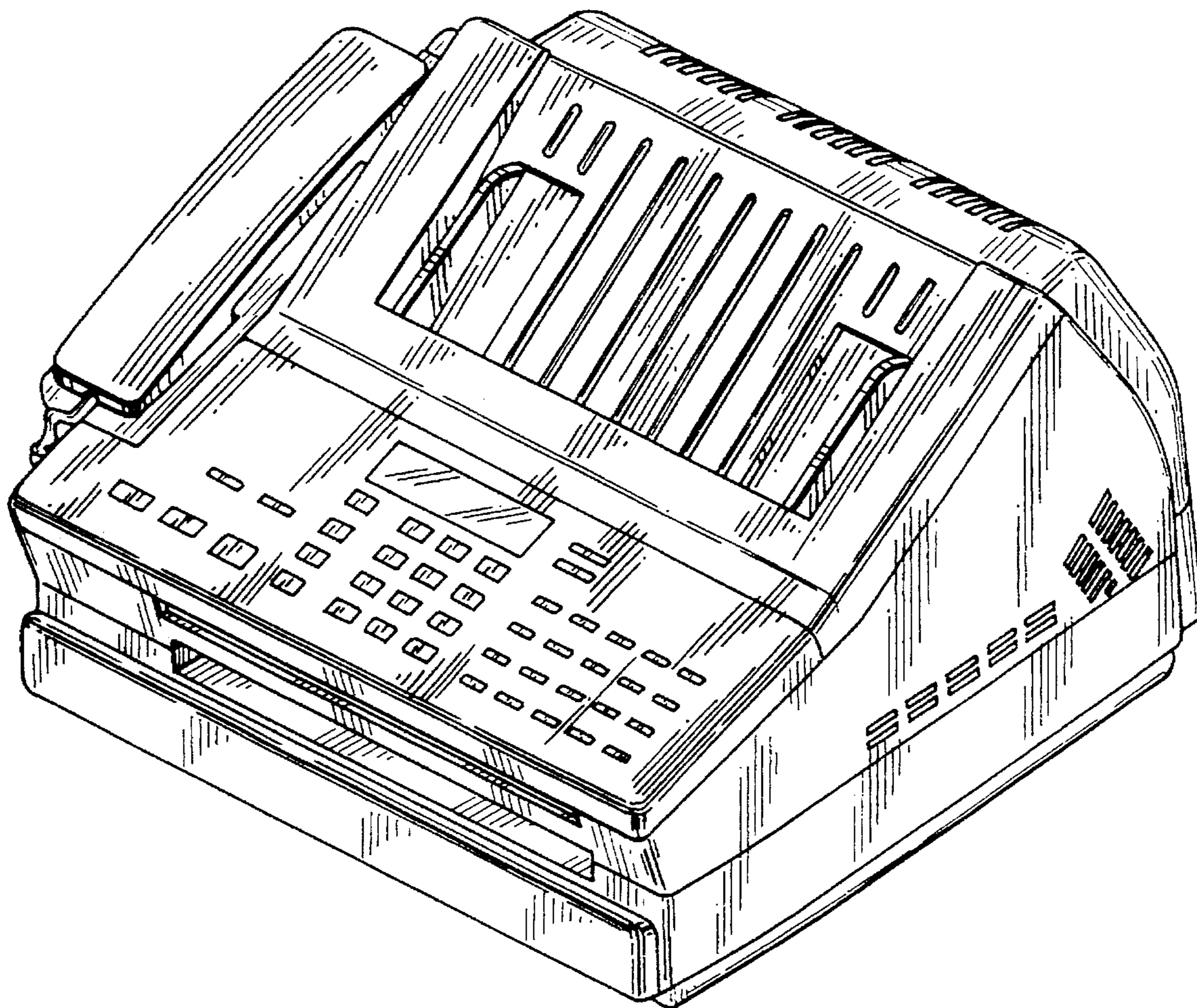


FIG. 1

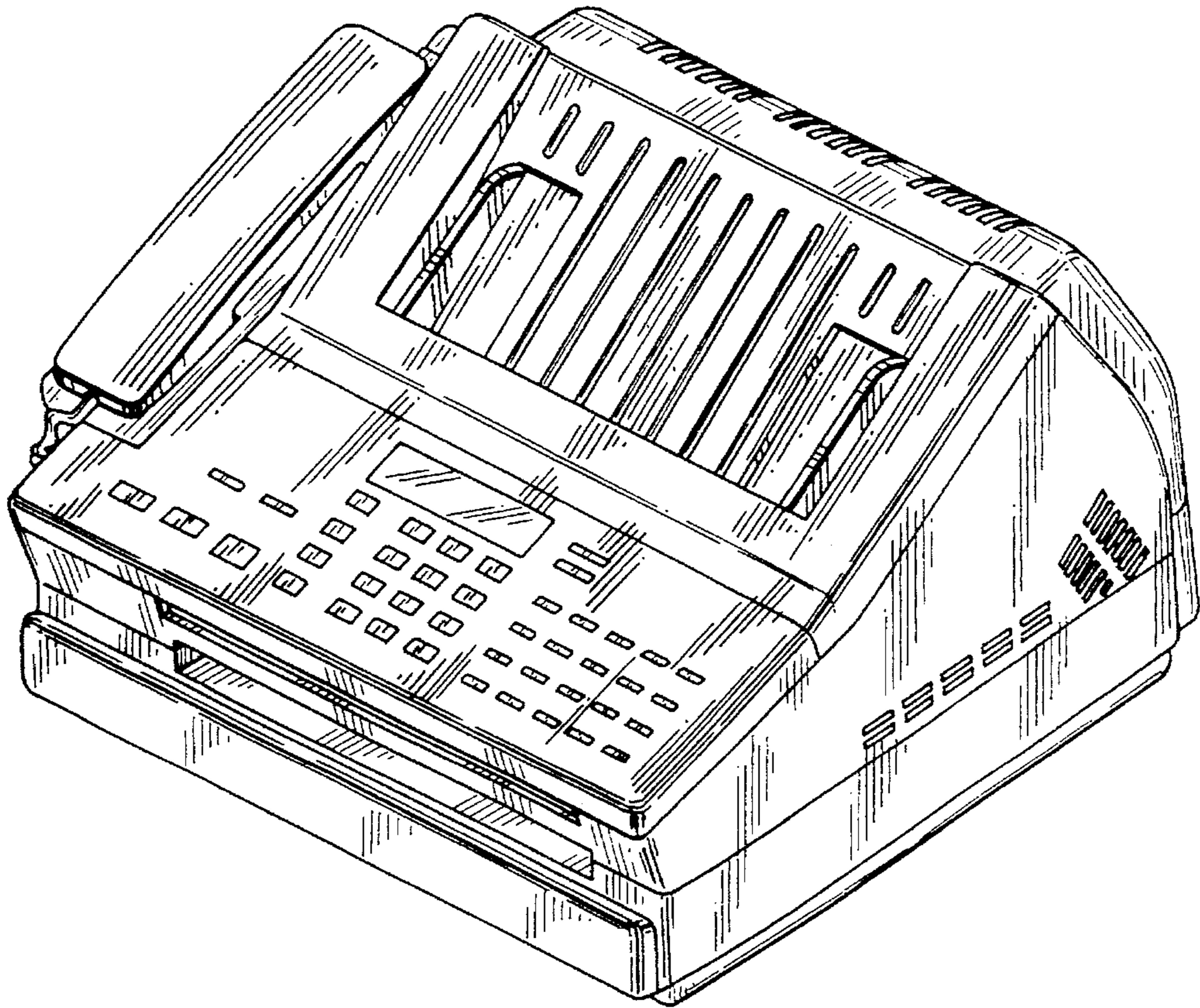


FIG. 2

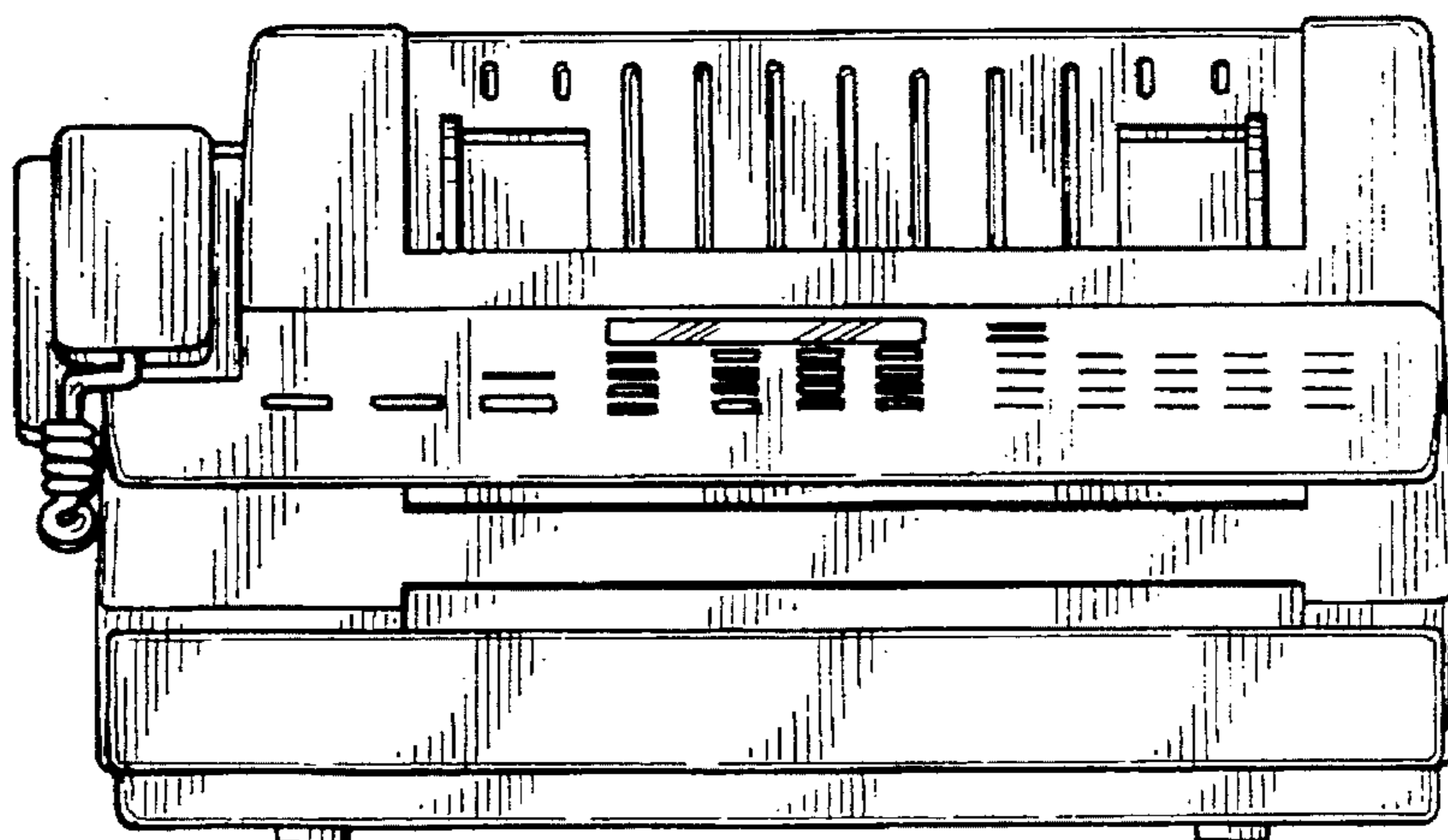


FIG. 3

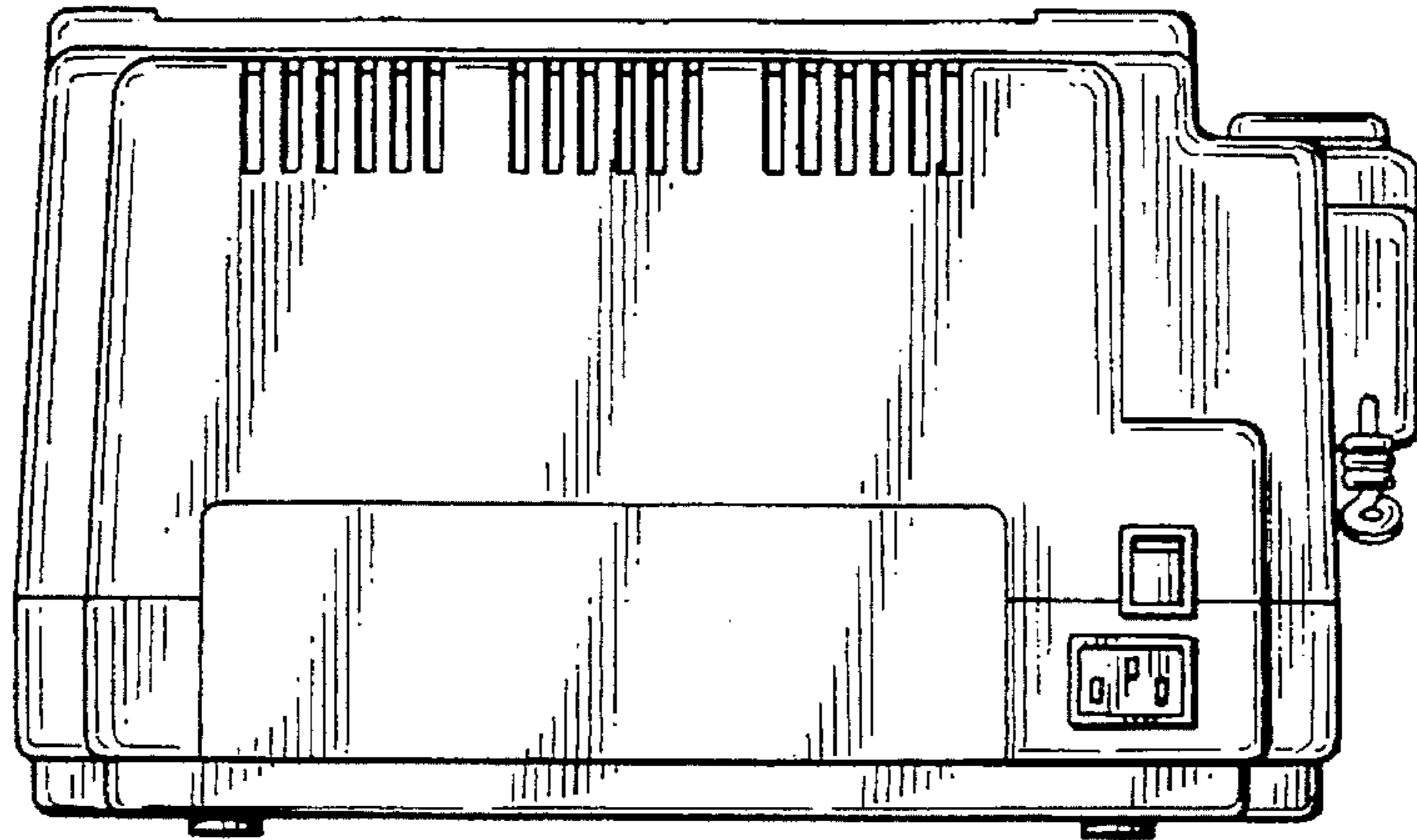


FIG. 4

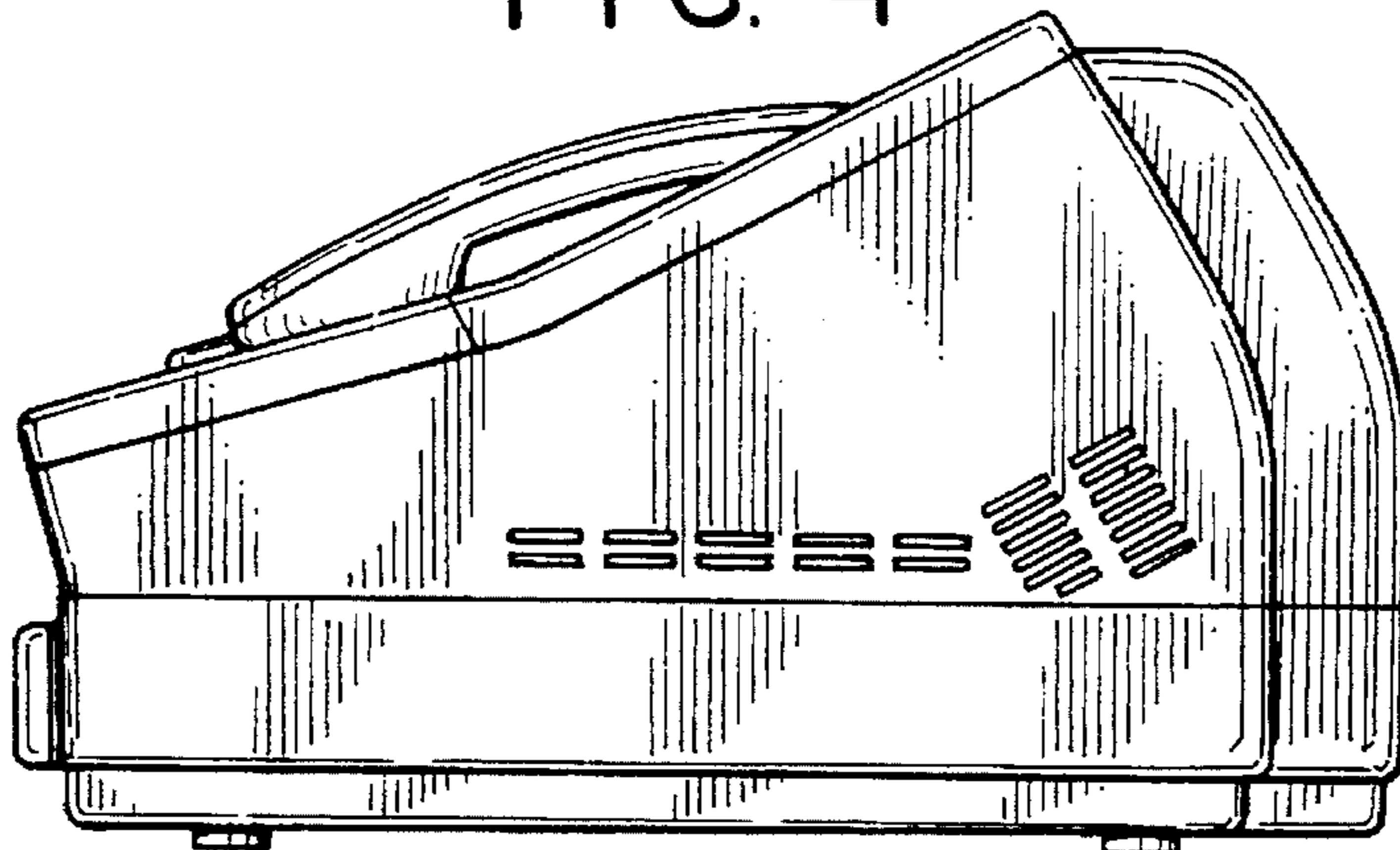


FIG. 5

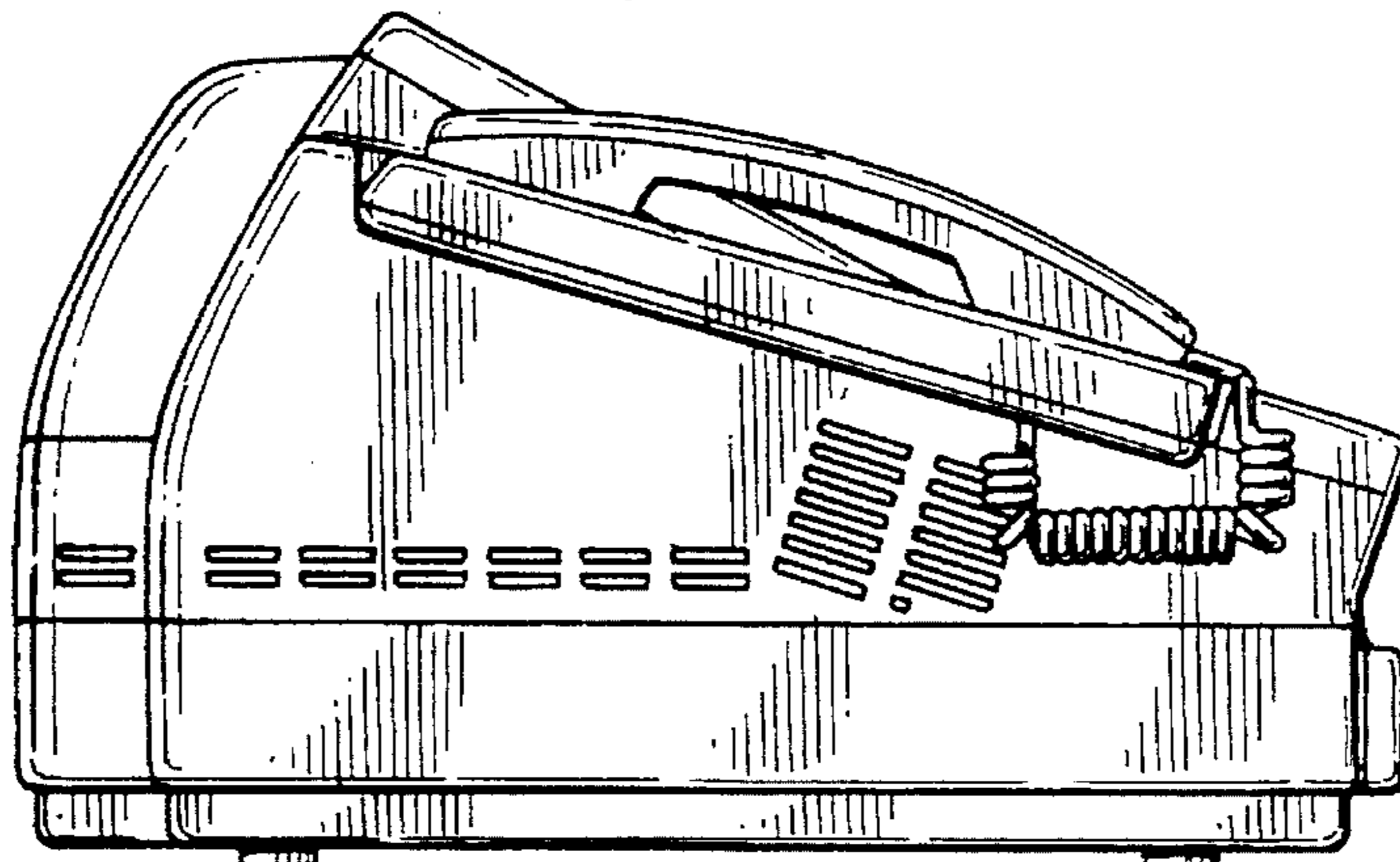


FIG. 6

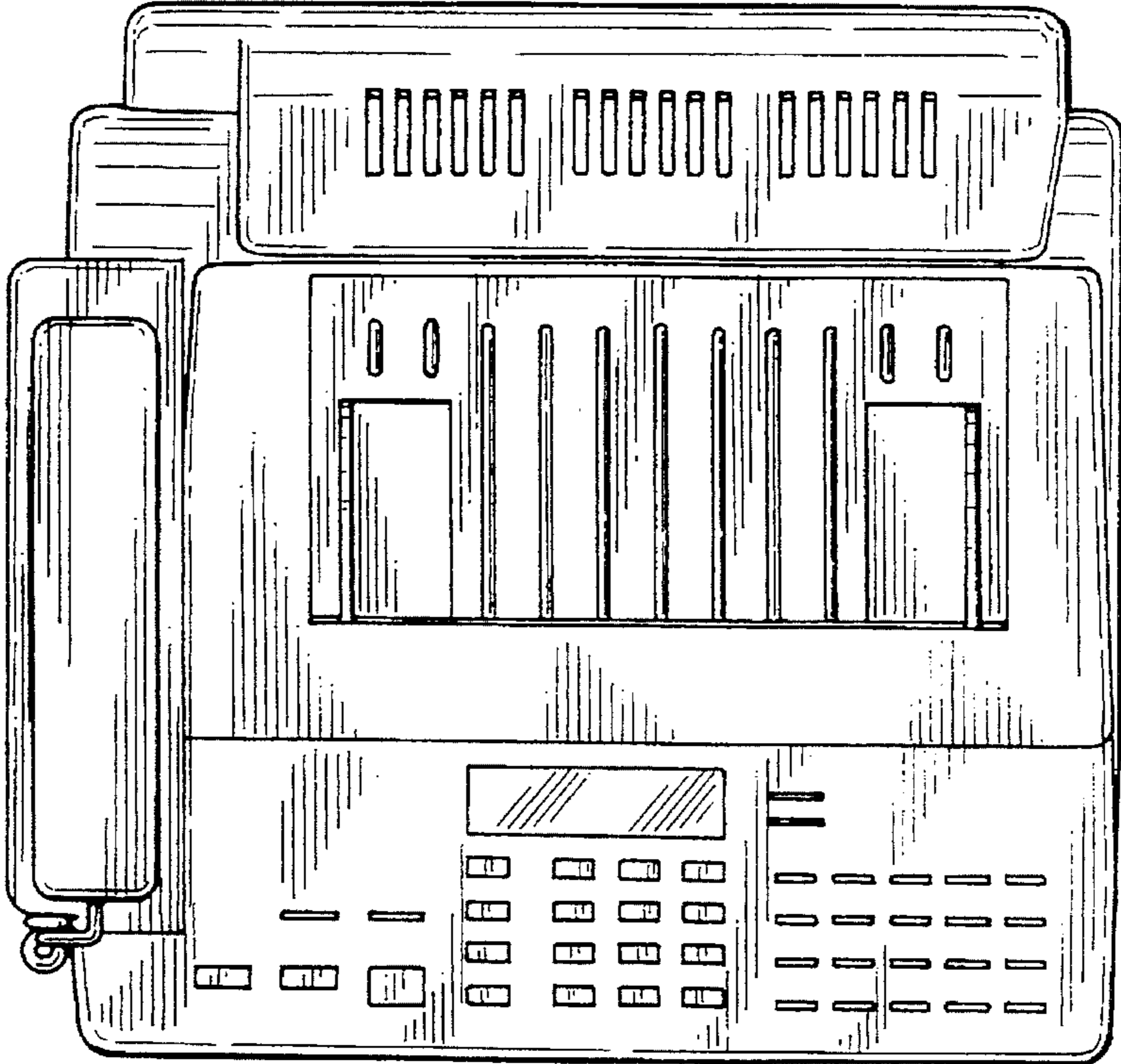


FIG. 7

