



US00D363478S

United States Patent [19]

[11] Patent Number: **Des. 363,478**

Tinsley, Jr. et al.

[45] Date of Patent: ****Oct. 24, 1995**

[54] **COMPUTER HOUSING FRONT PANEL**

D. 349,108 7/1994 Chang et al. D14/115

[75] Inventors: **Edwin C. Tinsley, Jr.**, Austin; **James H. Quiggins**, Houston, both of Tex.

Primary Examiner—Freda S. Nunn
Attorney, Agent, or Firm—Baker & Botts

[73] Assignee: **Compuadd Corporation**, Austin, Tex.

[57] **CLAIM**

[**] Term: **14 Years**

The ornamental design for a computer housing front panel, as shown and described.

[21] Appl. No.: **12,798**

DESCRIPTION

[22] Filed: **Sep. 10, 1993**

[52] U.S. Cl. **D14/115**

[58] **Field of Search** D14/100, 102,
D14/107-109, 115, 258; D13/162, 184,
199; 312/223.2; 358/249, 254; 361/600,
622, 724-728

FIG. 1 is a perspective view of a computer housing front panel showing our new design;

FIG. 2 is a front elevational view thereof;

FIG. 3 is a right side elevational view thereof;

FIG. 4 is a left side elevational view thereof;

FIG. 5 is a top plan view thereof; and,

FIG. 6 is a bottom plan view thereof.

The broken lines are shown in the view for illustrative purposes only and form no part of the claimed design.

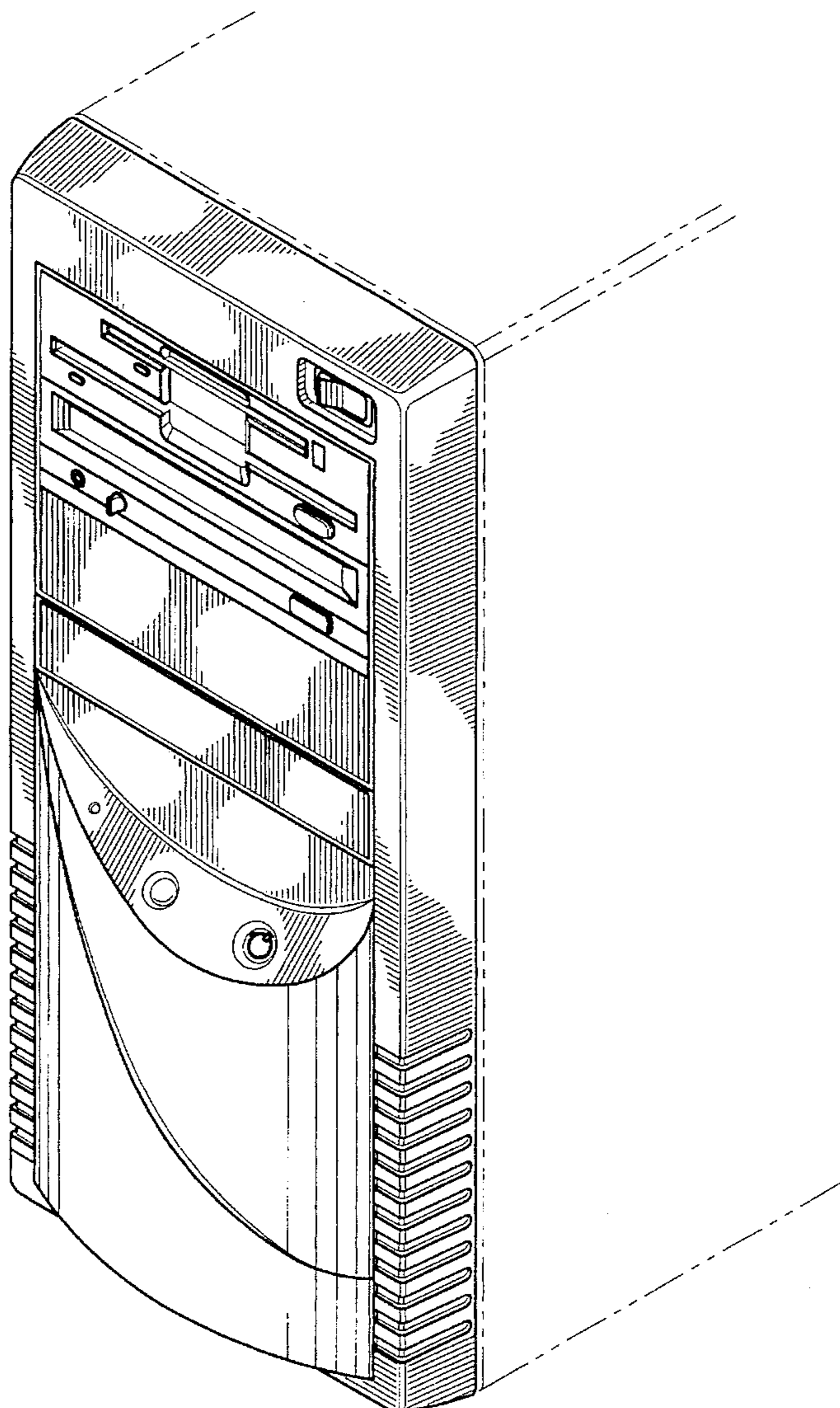
[56] **References Cited**

U.S. PATENT DOCUMENTS

D. 315,149 3/1991 Welch D14/115

D. 340,044 10/1993 Chu D14/115

1 Claim, 2 Drawing Sheets



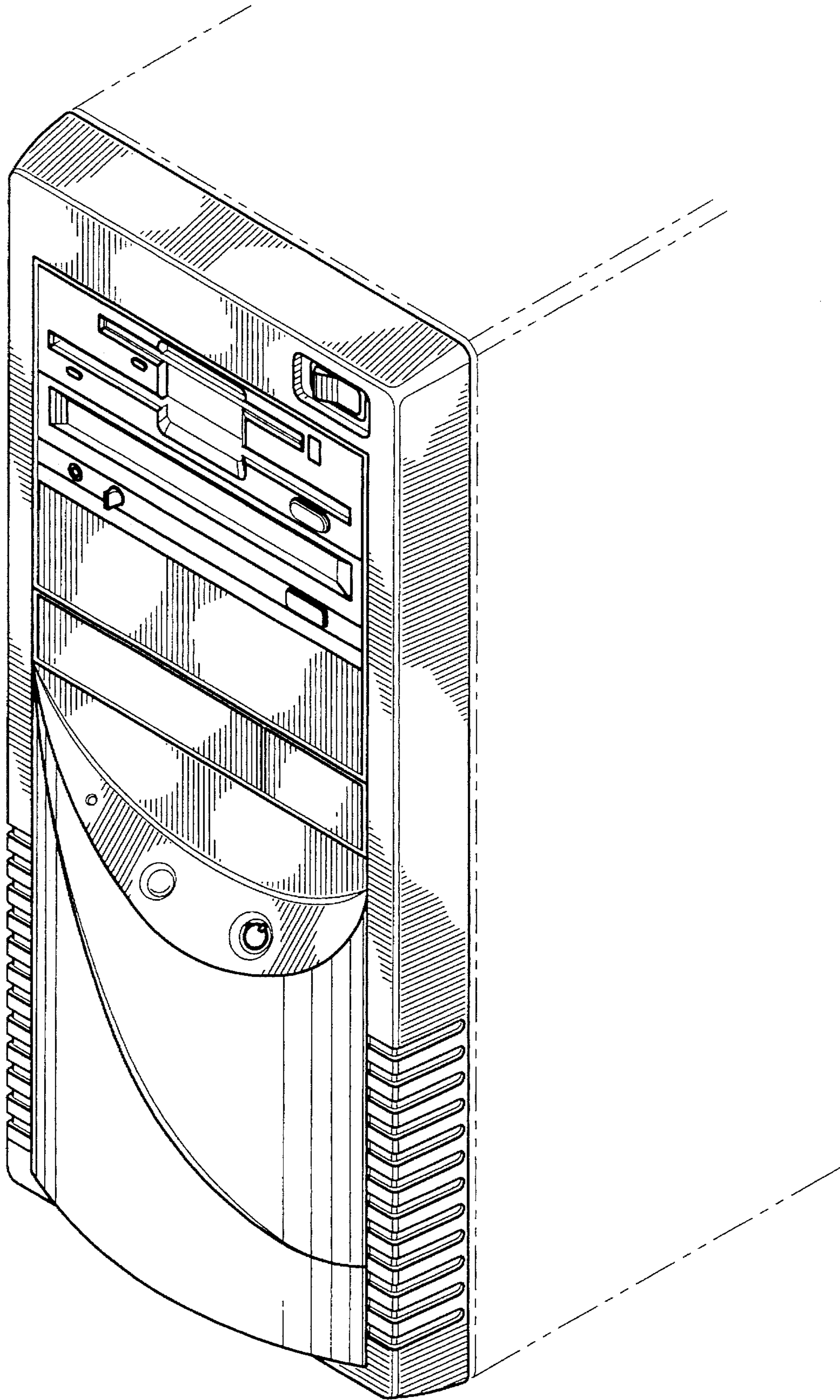


FIG. 1

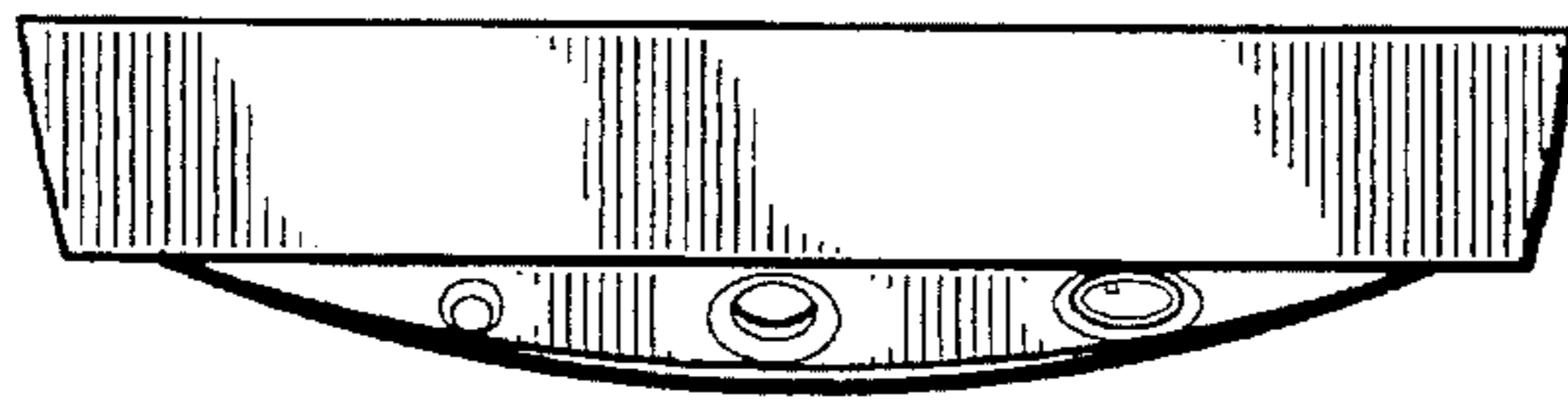


FIG. 5

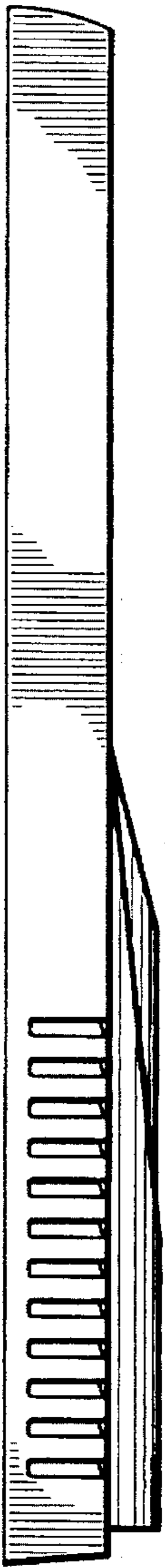


FIG. 3

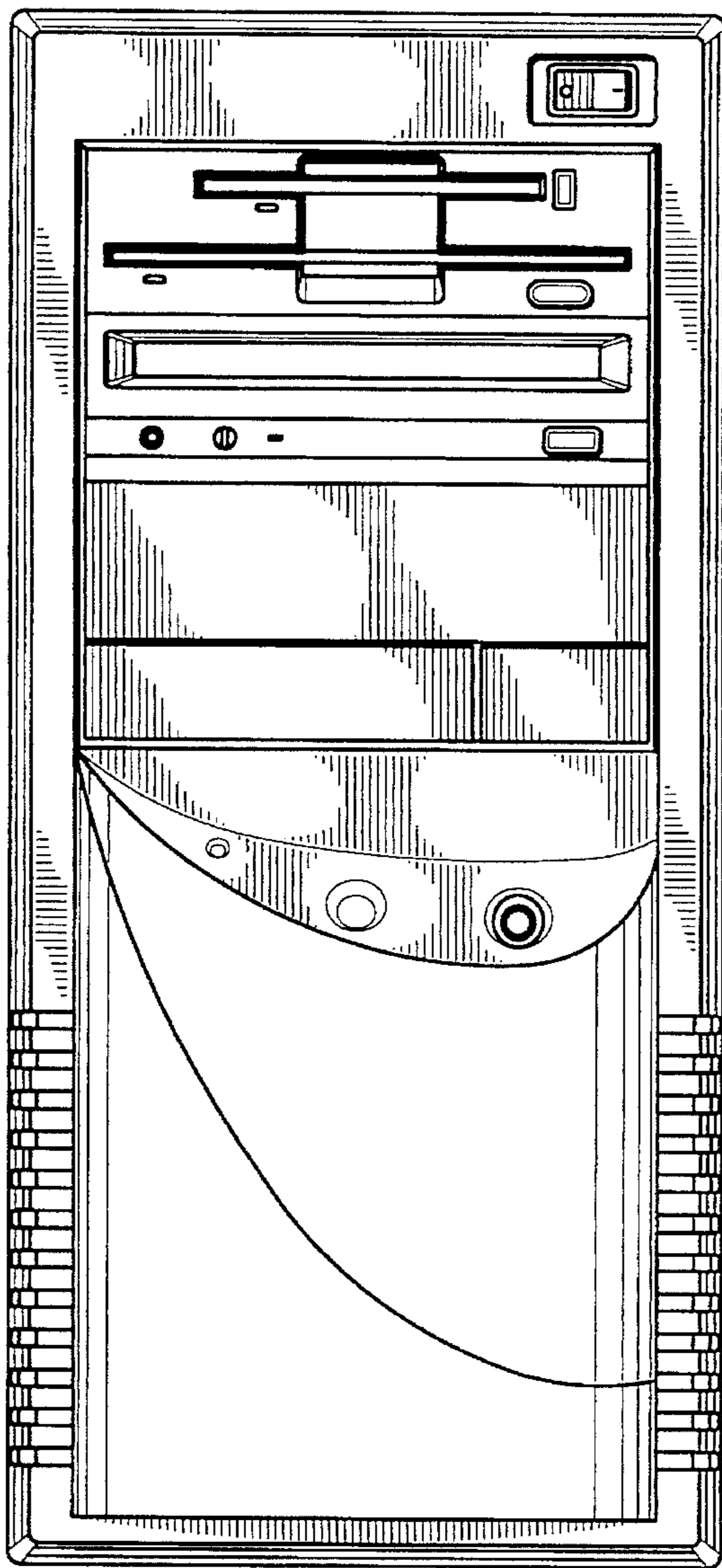


FIG. 2



FIG. 4

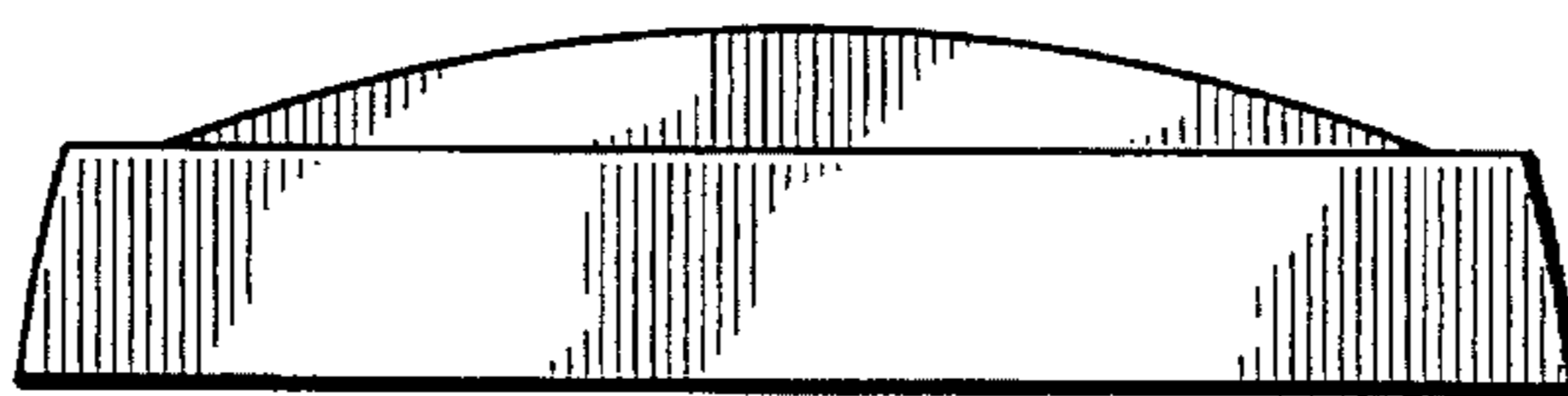


FIG. 6