



US00D363477S

United States Patent [19]

Tinsley, Jr. et al.

[11] Patent Number: **Des. 363,477**

[45] Date of Patent: ****Oct. 24, 1995**

[54] **COMPUTER HOUSING FRONT PANEL**

[75] Inventors: **Edwin C. Tinsley, Jr.**, Austin; **James H. Quiggins**, Houston, both of Tex.

[73] Assignee: **Compuadd Corporation**, Austin, Tex.

[**] Term: **14 Years**

[21] Appl. No.: **12,796**

[22] Filed: **Sep. 10, 1993**

[52] U.S. Cl. **D14/115**

[58] Field of Search D14/100, 102,
D14/107-109, 115, 258; D13/162, 184,
199; 312/223.2; 358/249, 254; 361/600,
622, 724-728

[56] **References Cited**

U.S. PATENT DOCUMENTS

- D. 313,982 1/1991 Eilert et al. D14/115
- D. 328,737 8/1992 Hill D14/115
- D. 332,947 2/1993 Kline et al. D14/115

- D. 340,045 10/1993 Chu D14/115
- D. 340,046 10/1993 Chu D14/115
- D. 340,449 10/1993 Chu D14/115

Primary Examiner—Freda S. Nunn
Attorney, Agent, or Firm—Baker & Botts

[57] **CLAIM**

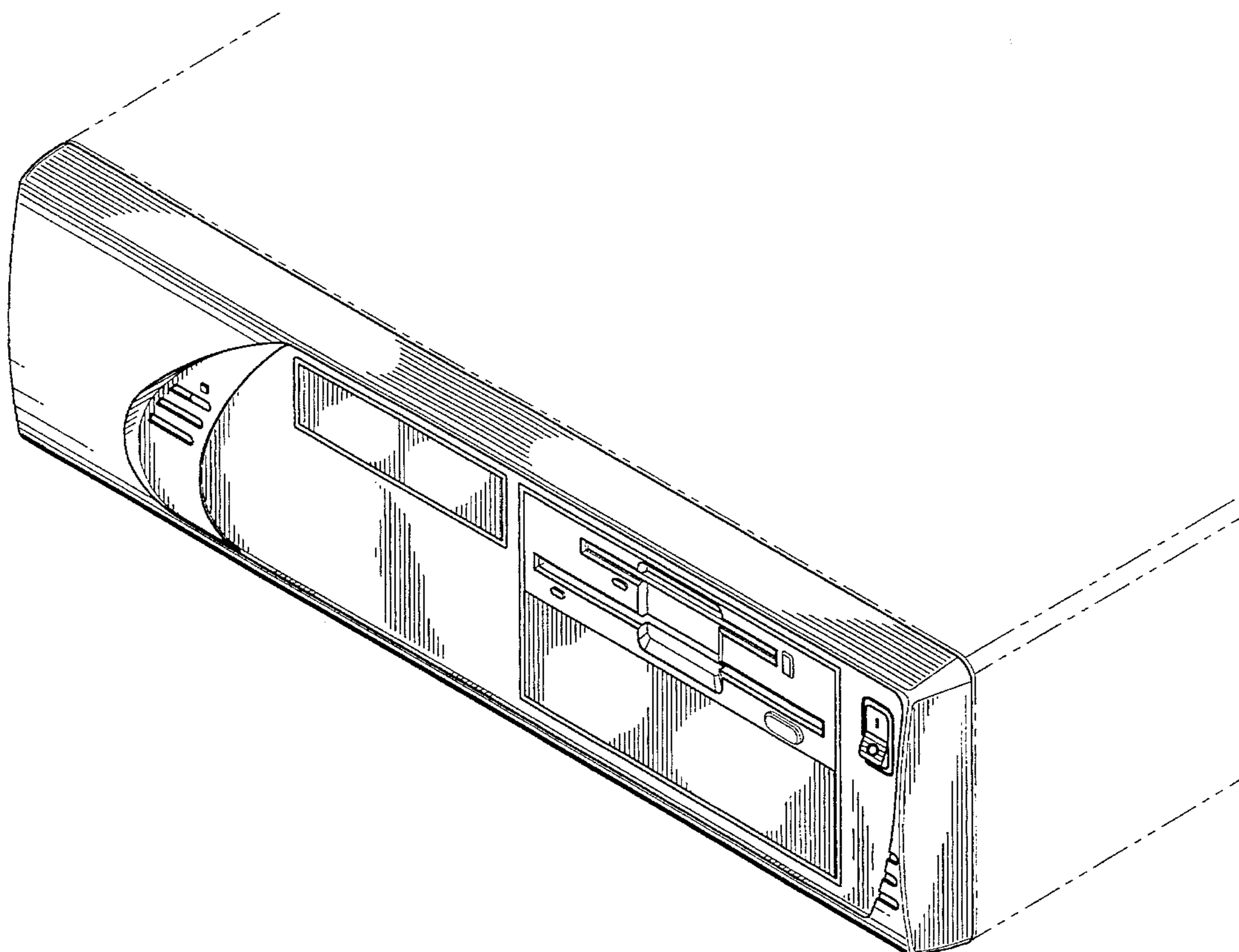
The ornamental design for a computer housing front panel, as shown and described.

DESCRIPTION

FIG. 1 is a perspective view of a computer housing front panel showing our new design; FIG. 2 is a front elevational view thereof; FIG. 3 is a top plan view thereof; FIG. 4 is a bottom plan view thereof; FIG. 5 is a right side elevational view thereof; and, FIG. 6 is a left side elevational view thereof.

The broken lines are shown in the view for illustrative purposes only and form no part of the claimed design.

1 Claim, 2 Drawing Sheets



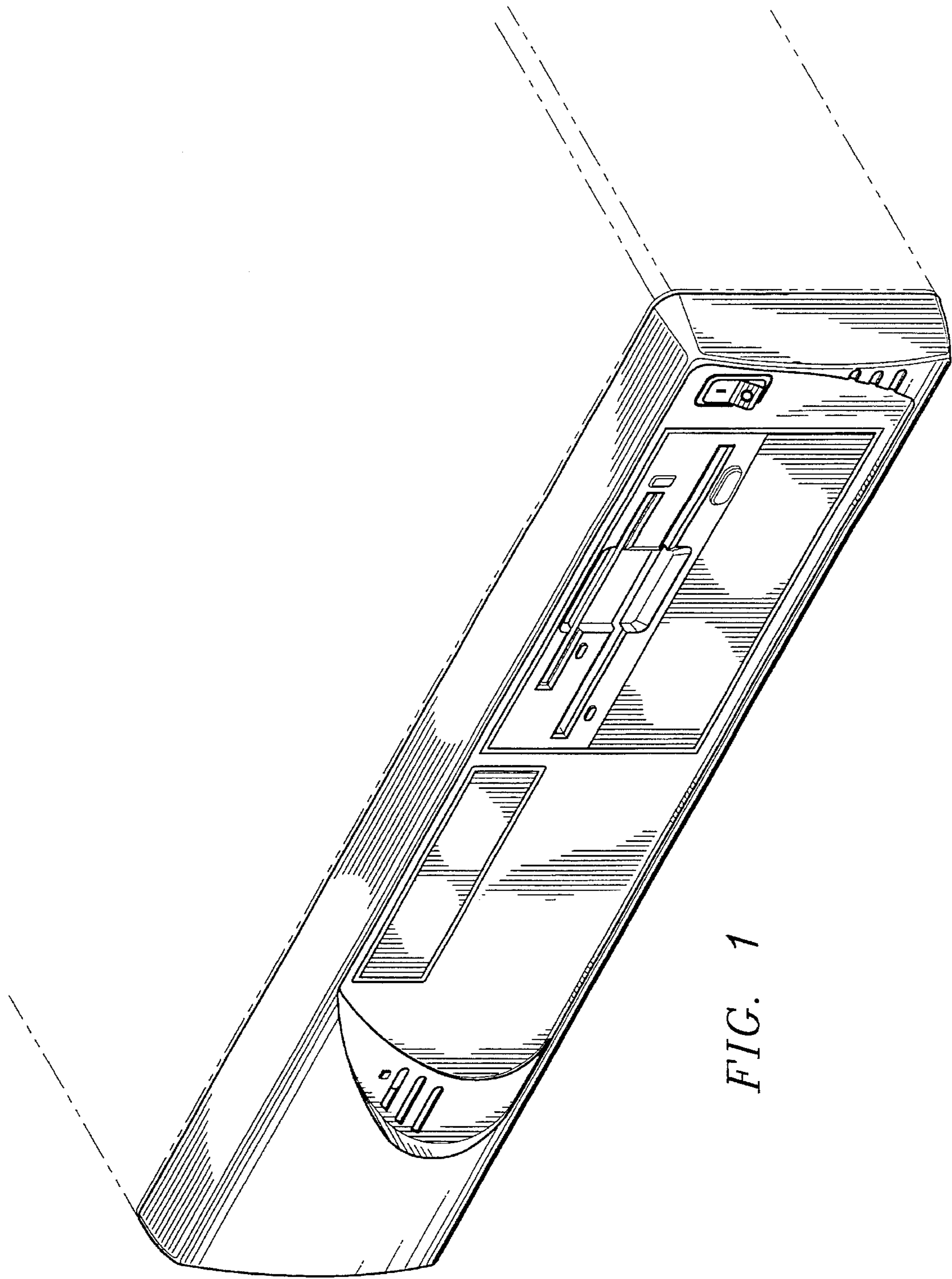


FIG. 1

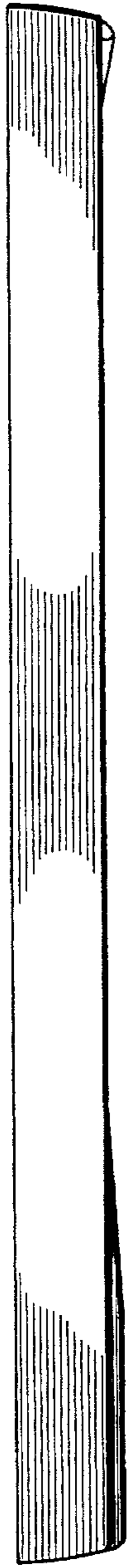


FIG. 3

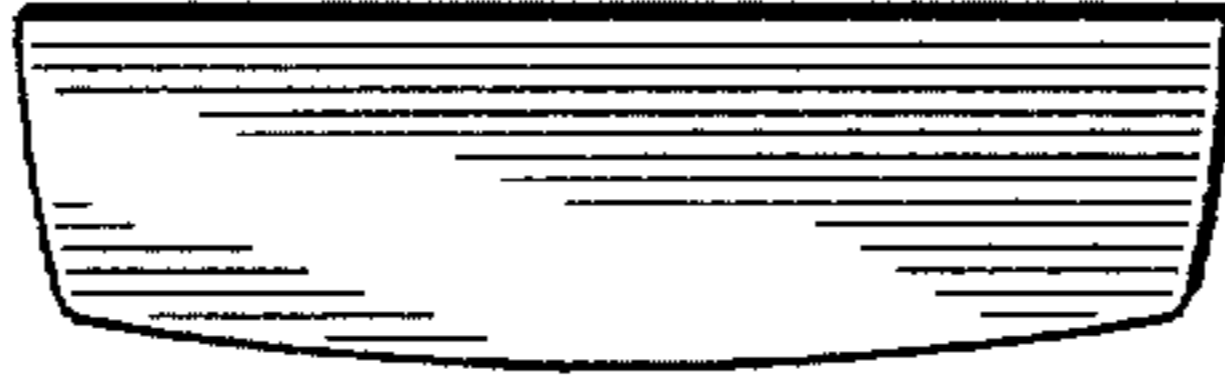


FIG. 6

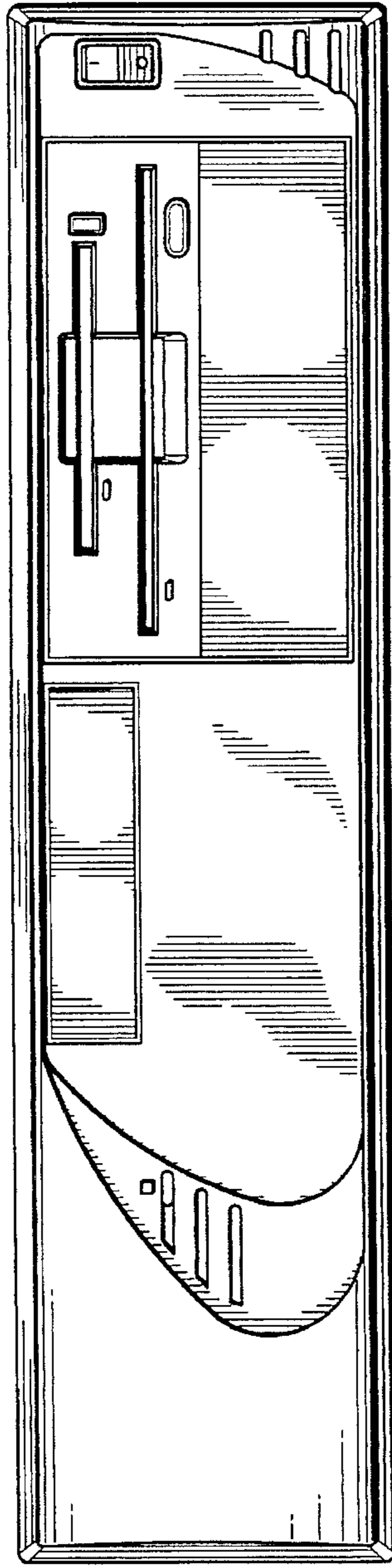


FIG. 2

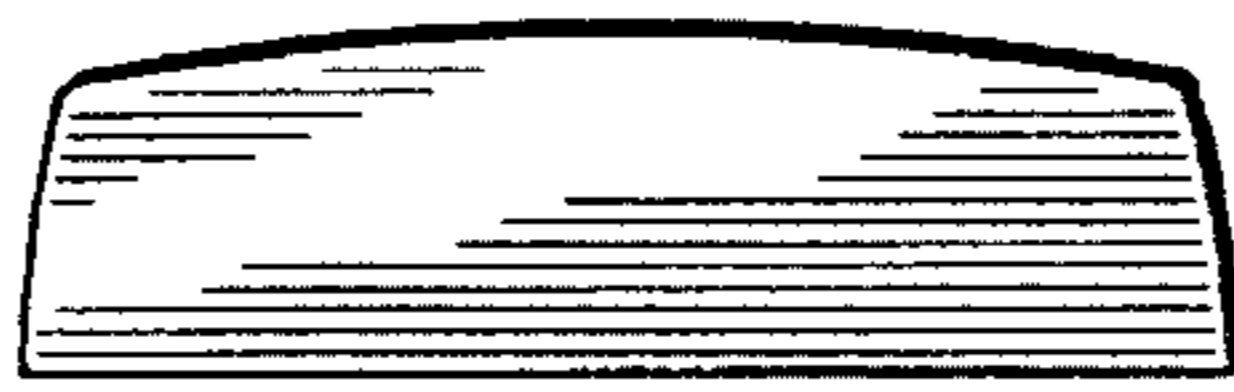


FIG. 5



FIG. 4