



US00D363475S

# United States Patent [19]

Oates et al.

[11] Patent Number: **Des. 363,475**

[45] Date of Patent: **\*\*Oct. 24, 1995**

[54] **VISUAL DISPLAY UNIT**

D. 346,595 5/1994 Oates ..... D14/113

[75] Inventors: **Markus Oates**, Farnham; **Gordon Grant**, Bishopton, both of United Kingdom

*Primary Examiner*—Freda S. Nunn  
*Attorney, Agent, or Firm*—Martin J. McKinley; Craig J. Yudell; Andrew J. Dillon

[73] Assignee: **International Business Machines Corporation**, Armonk, N.Y.

[57] **CLAIM**

[\*\*] Term: **14 Years**

The ornamental design for a visual display unit, as shown and described.

[21] Appl. No.: **18,578**

**DESCRIPTION**

[22] Filed: **Feb. 9, 1994**

[30] **Foreign Application Priority Data**

FIG. 1 is a front elevation of the visual display unit of the present invention;  
FIG. 2 is a rear elevation of the visual display unit of the present invention;  
FIG. 3 is a right side elevation of the visual display unit of the present invention;  
FIG. 4 is a left side elevation of the visual display unit of the present invention;  
FIG. 5 is a top plan view of the visual display unit of the present invention;  
FIG. 6 is a bottom plan view of the visual display unit of the present invention; and,  
FIG. 7 is a reduced top perspective view of the visual display unit of the present invention.

Sep. 3, 1993 [GB] United Kingdom ..... 2033562

[52] **U.S. Cl.** ..... **D14/113**

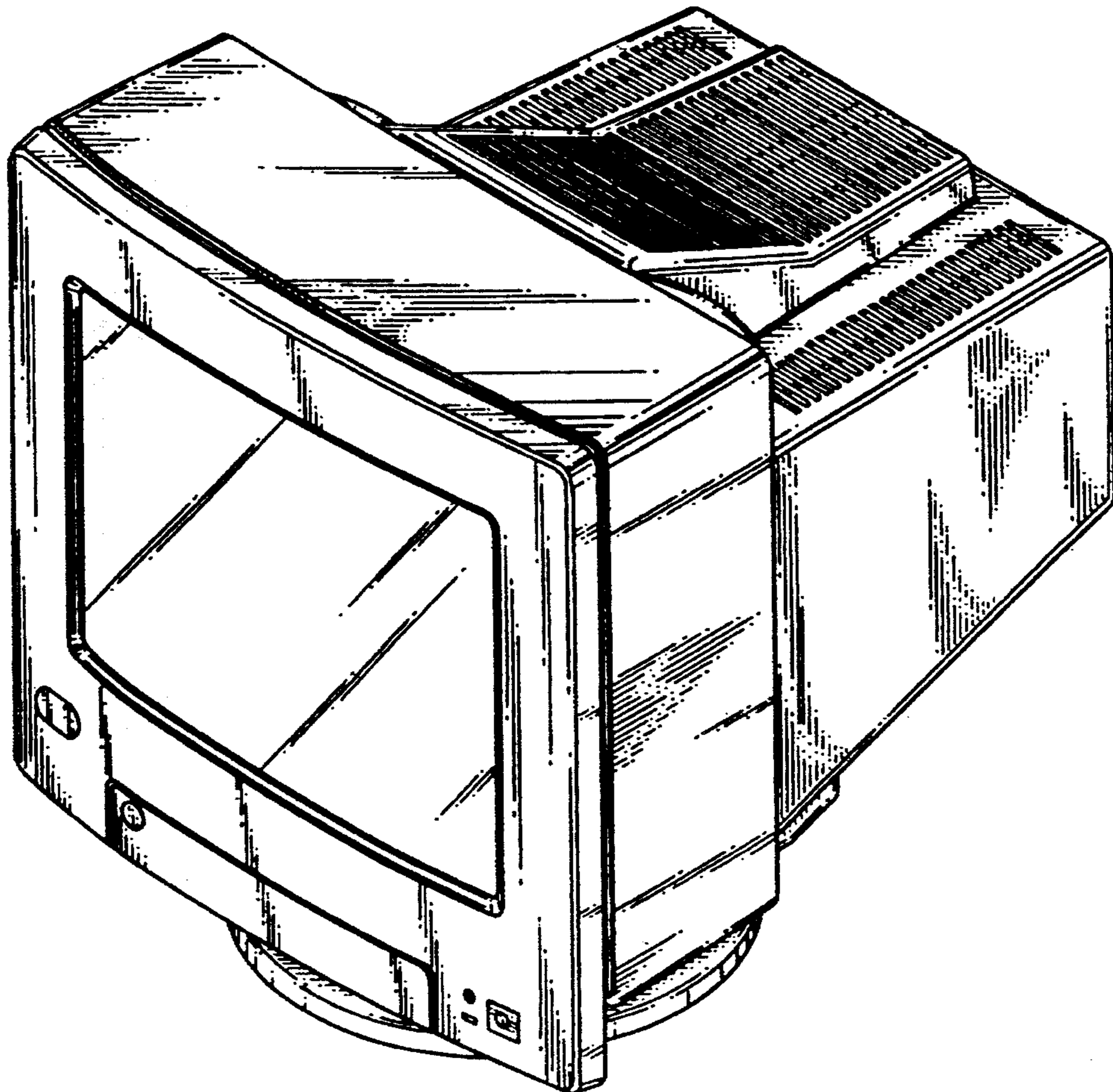
[58] **Field of Search** ..... D14/100, 101, D14/106, 113, 124-127, 129; 248/917-924; 345/104, 133, 156, 168, 87, 173, 901-905; 358/249, 254, 255

[56] **References Cited**

**U.S. PATENT DOCUMENTS**

D. 344,935 3/1994 Imai et al. .... D14/113

**1 Claim, 7 Drawing Sheets**



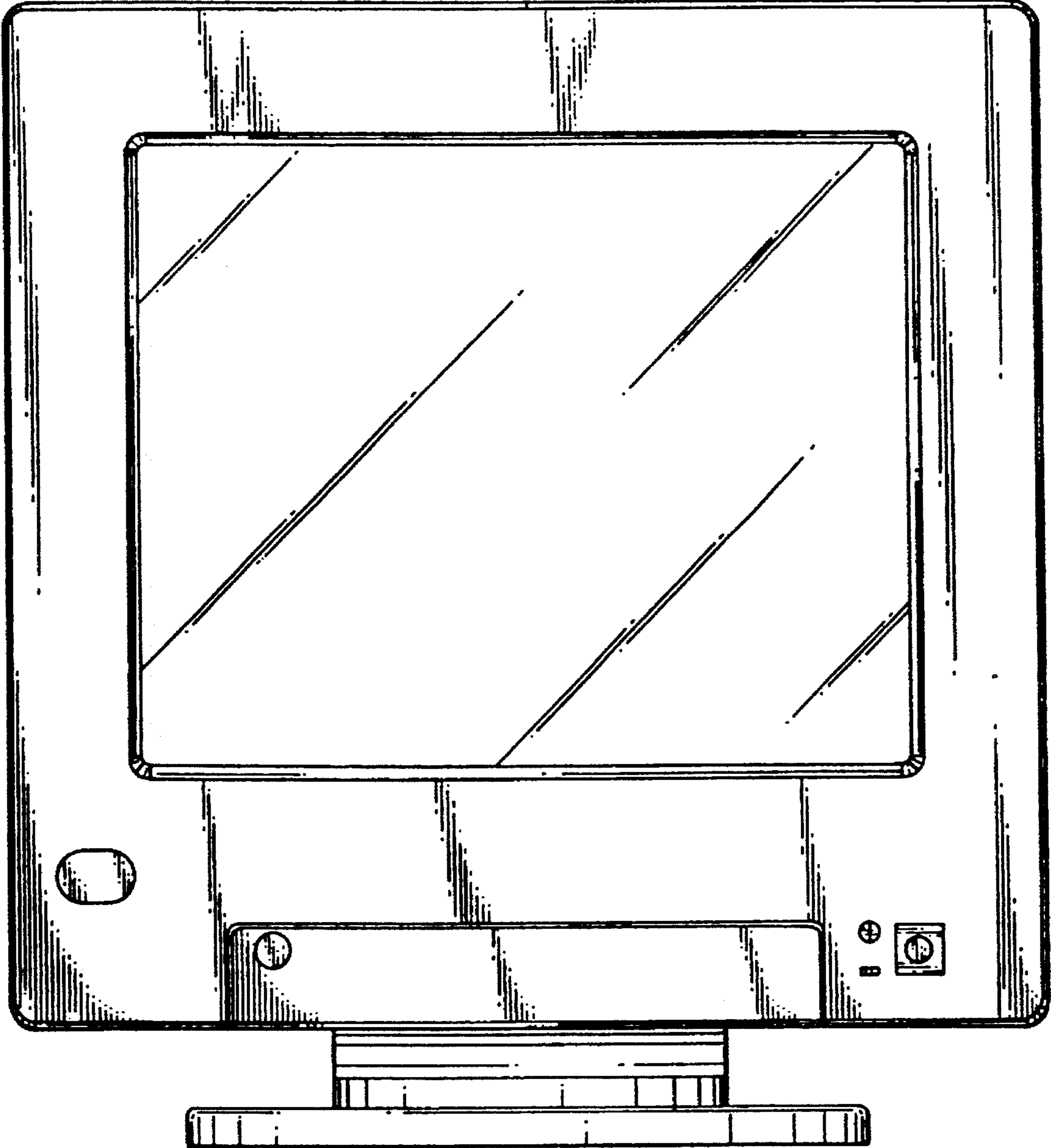
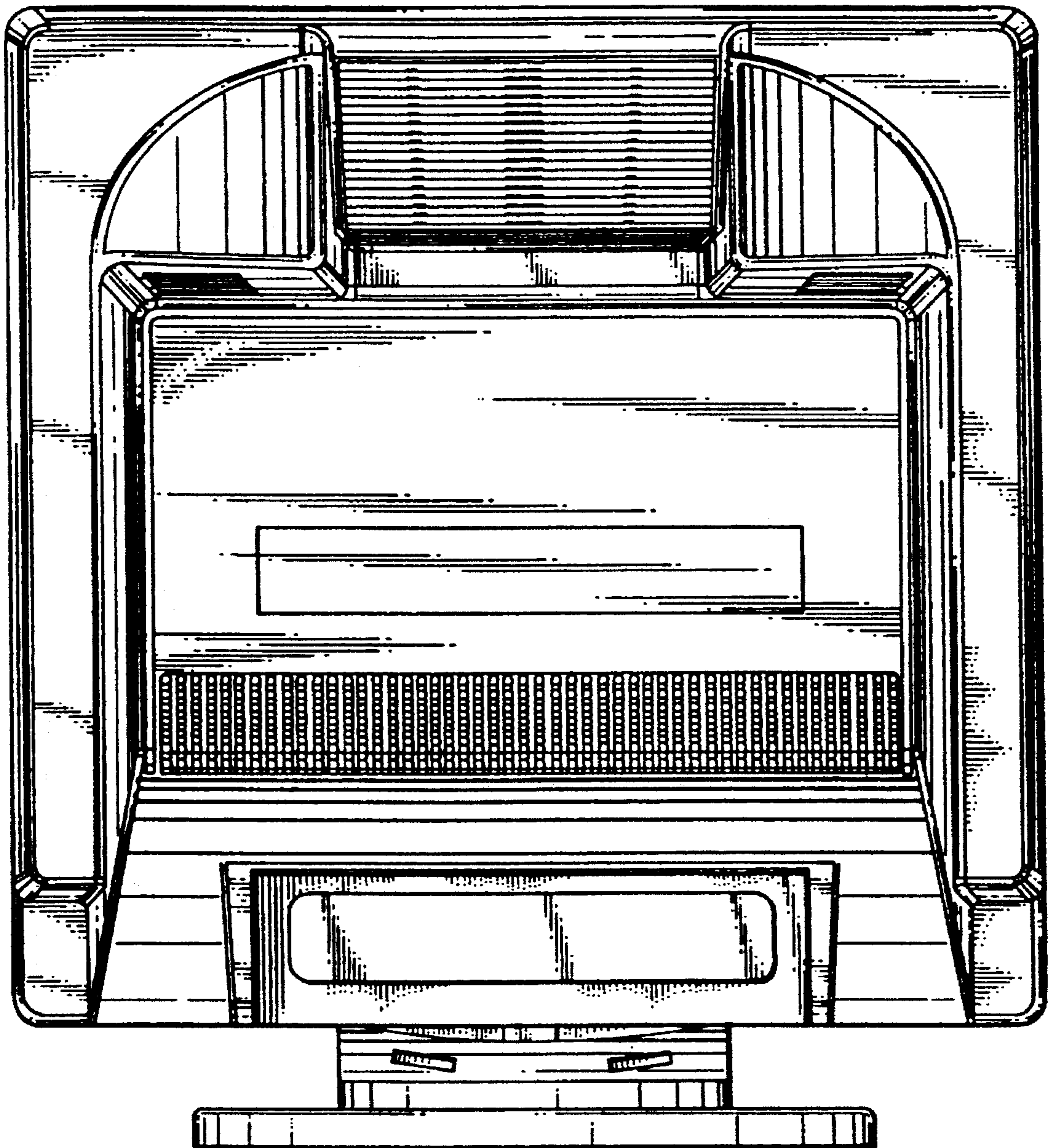


FIG. 1



*FIG. 2*



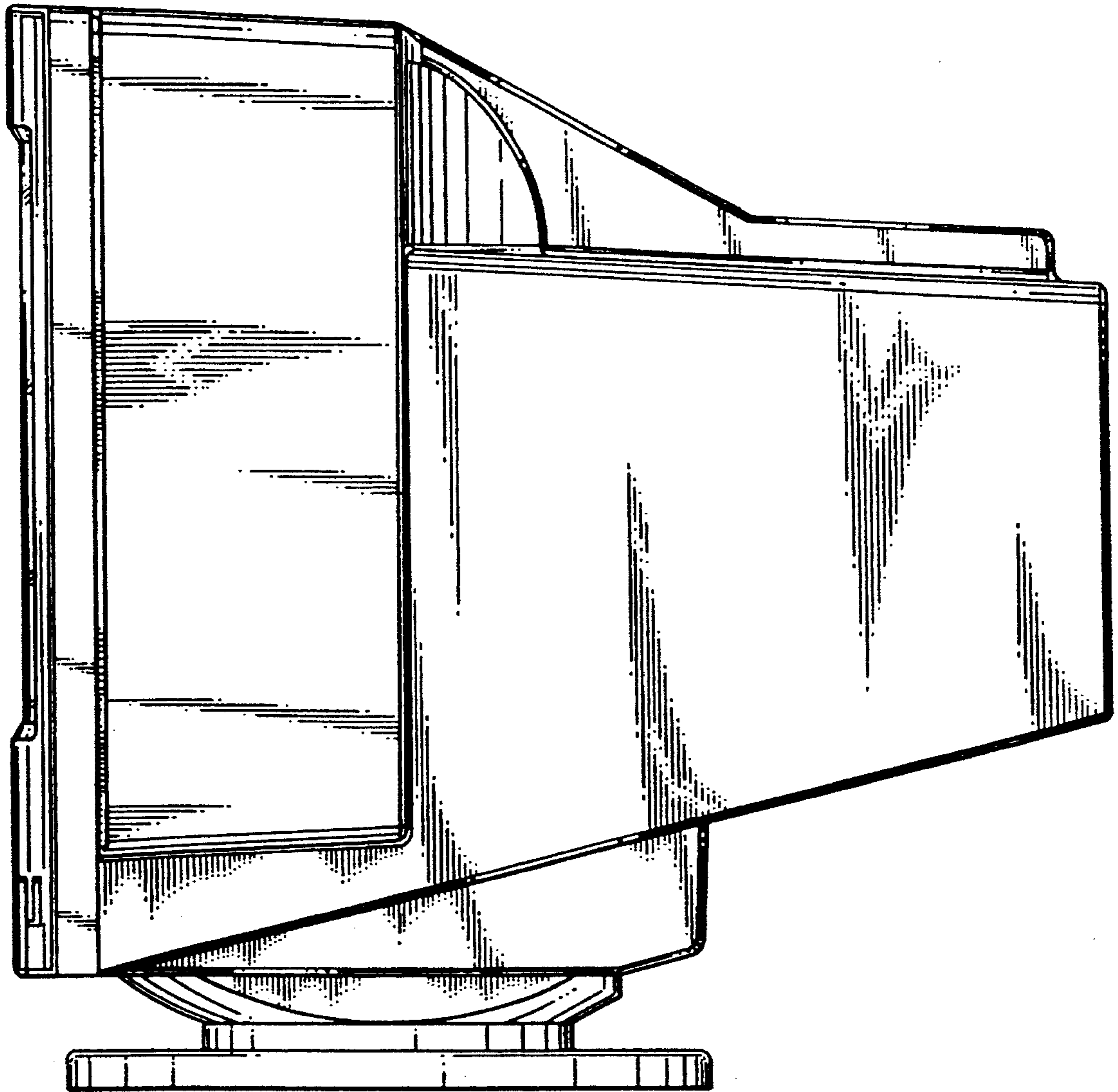
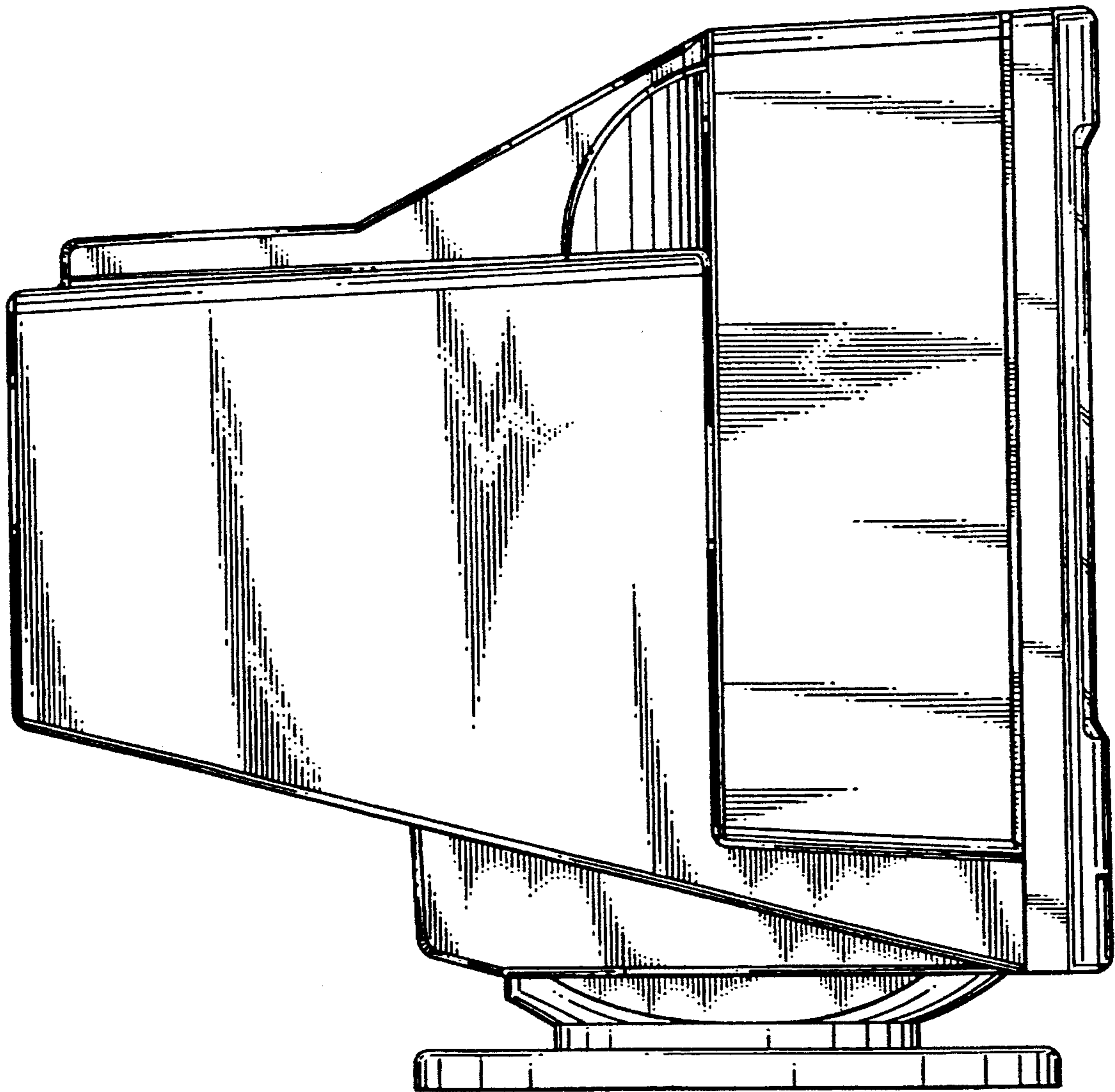
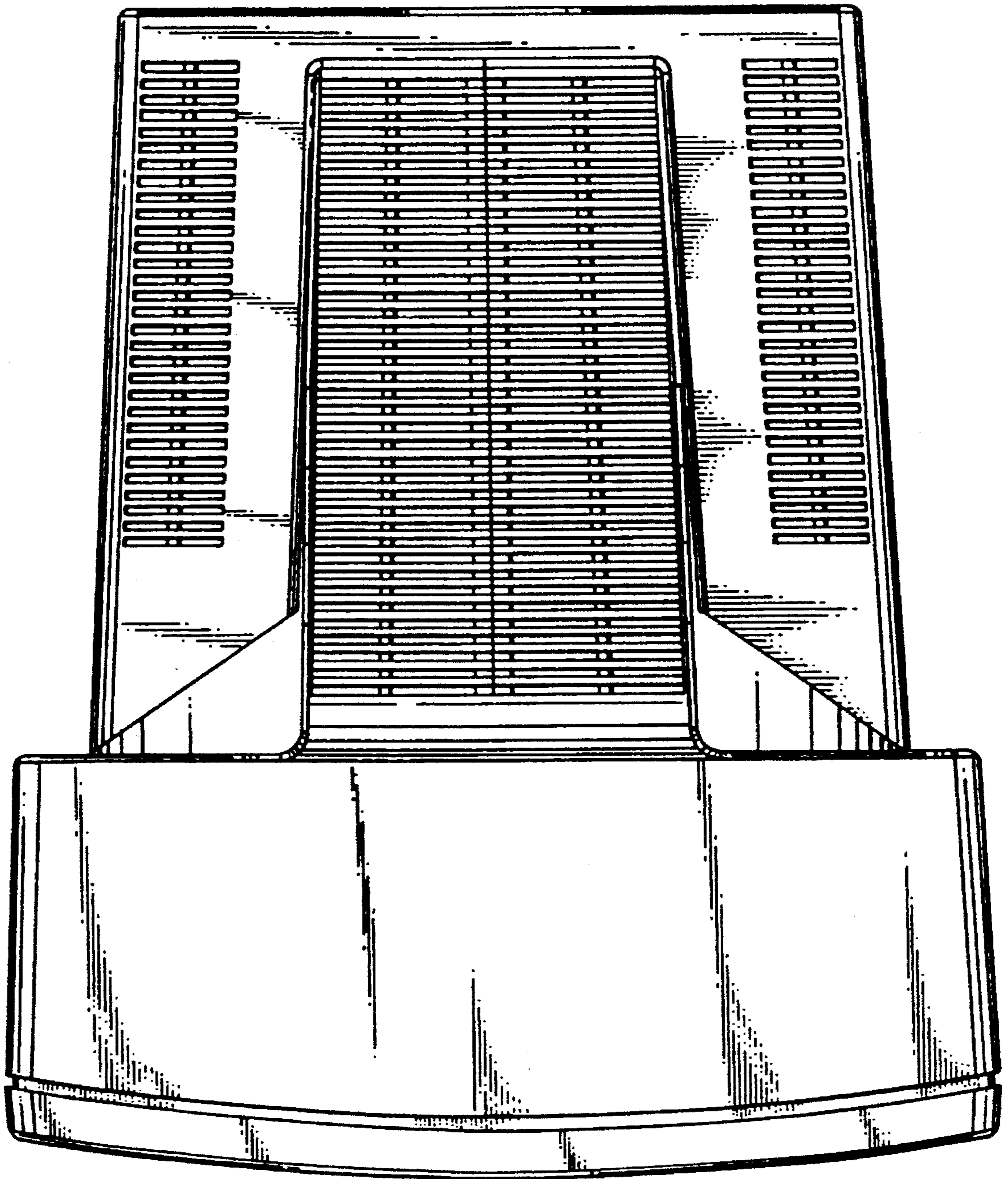


FIG. 3



**FIG. 4**



*FIG. 5*



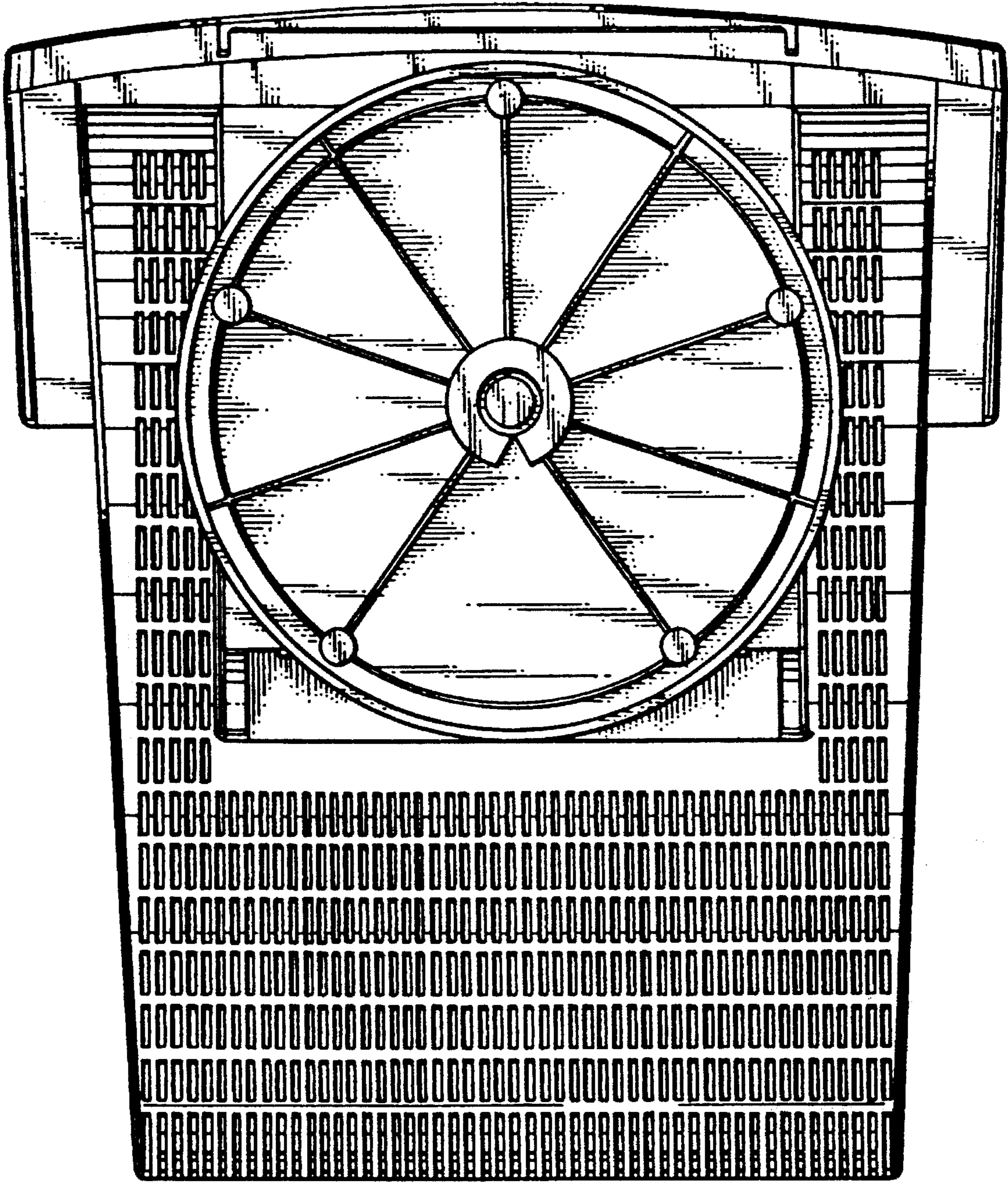
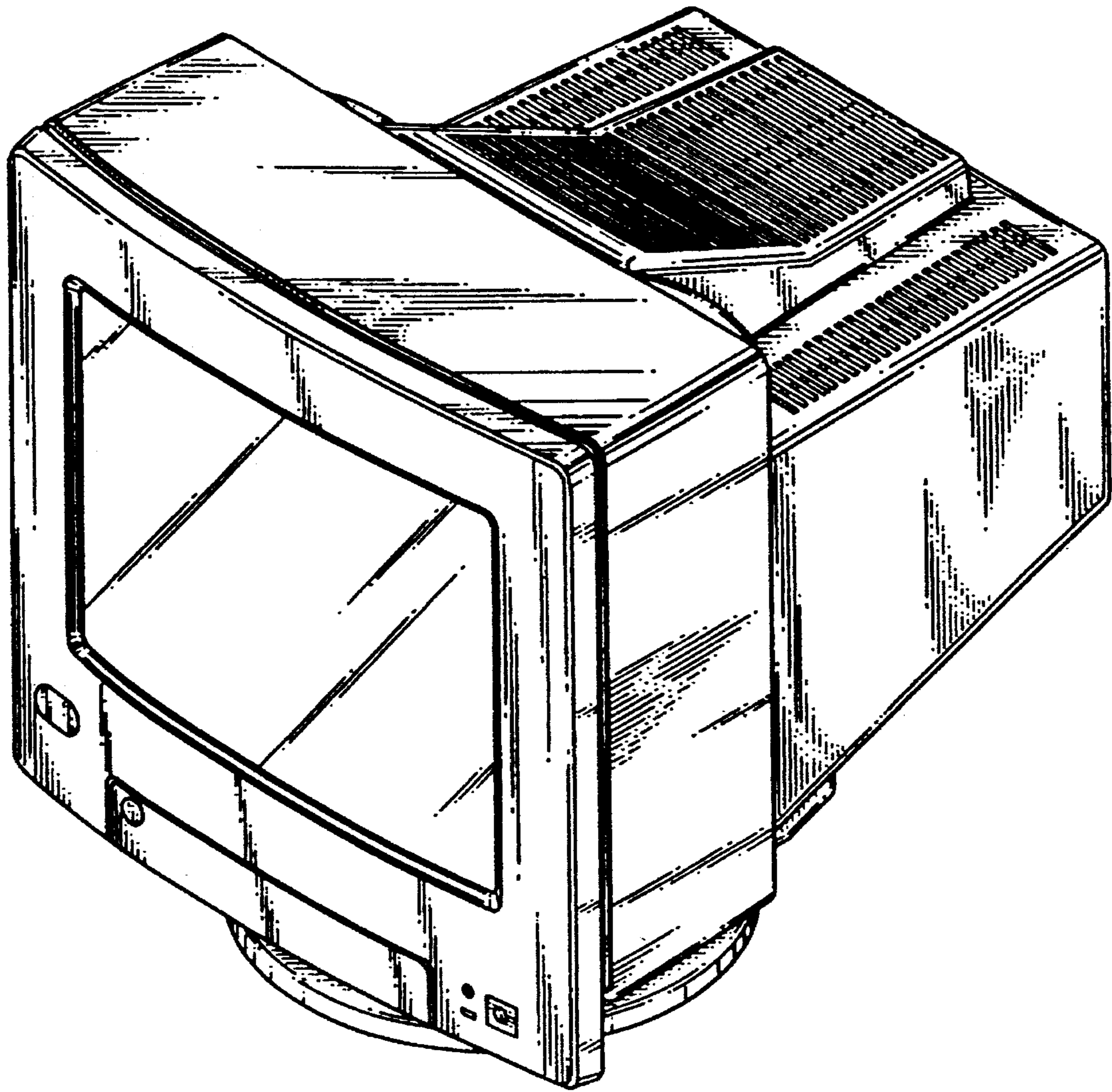


FIG. 6



*FIG. 7*