



US00D363471S

# United States Patent [19]

[11] Patent Number: **Des. 363,471**

Shima et al.

[45] Date of Patent: **\*\*Oct. 24, 1995**

[54] **MULTI-MEDIA PORTABLE COMPUTER**

[57] **CLAIM**

[75] Inventors: **Hisashi Shima; Kazuo Nakada; Kazuhiko Yamazaki**, all of Kanagawa, Japan; **Richard Sapper**, Milan, Italy

The ornamental design for a multi-media portable computer, as shown and described.

[73] Assignee: **International Business Machines Corporation**, Armonk, N.Y.

### DESCRIPTION

[\*\*] Term: **14 Years**

FIG. 1 is a perspective view of the personal computer with the cover fully opened;

[21] Appl. No.: **21,599**

FIG. 2 is a perspective view of the personal computer with the cover closed;

[22] Filed: **Apr. 18, 1994**

FIG. 3 is a perspective view thereof with the cover open and a camera extracted;

### [30] Foreign Application Priority Data

Nov. 12, 1993 [JP] Japan ..... 5-34411

FIG. 4 is a rear perspective view thereof with the cover open;

[52] U.S. Cl. .... **D14/106**

FIG. 5 is a front elevational view thereof with the cover opened;

[58] Field of Search ..... D14/100, 101, D14/106, 113, 115, 124-127, 195; D18/1, 2, 7, 11, 12; 235/145 A, 145 R; 341/22, 23; 345/104, 156, 168, 173, 901-905, 87; 361/679-686; 364/708.1, 709.04, 709.12; 400/486, 489; D19/59, 60; D16/208; D21/13

FIG. 6 is a rear elevational view thereof with the cover opened;

FIG. 7 is a top plan view thereof with the cover opened;

### [56] References Cited

#### U.S. PATENT DOCUMENTS

- D. 308,510 6/1990 Cheung ..... D14/106 X
- D. 310,071 8/1990 Kit ..... D19/59 X
- D. 311,527 10/1990 Fujii et al. .... D14/106
- D. 342,501 12/1993 Saeki et al. .... D14/106 X
- D. 347,856 6/1994 Marfori et al. .... D14/106 X

FIG. 8 is a bottom plan view thereof with the cover opened;

FIG. 9 is a left side elevational view thereof with the cover opened;

FIG. 10 is a right side elevational view thereof with the cover opened;

FIG. 11 is a front elevational view thereof with the cover closed;

FIG. 12 is a rear elevational view thereof with the cover closed;

FIG. 13 is a top plan view thereof with the cover closed;

FIG. 14 is a bottom plan view thereof with the cover closed;

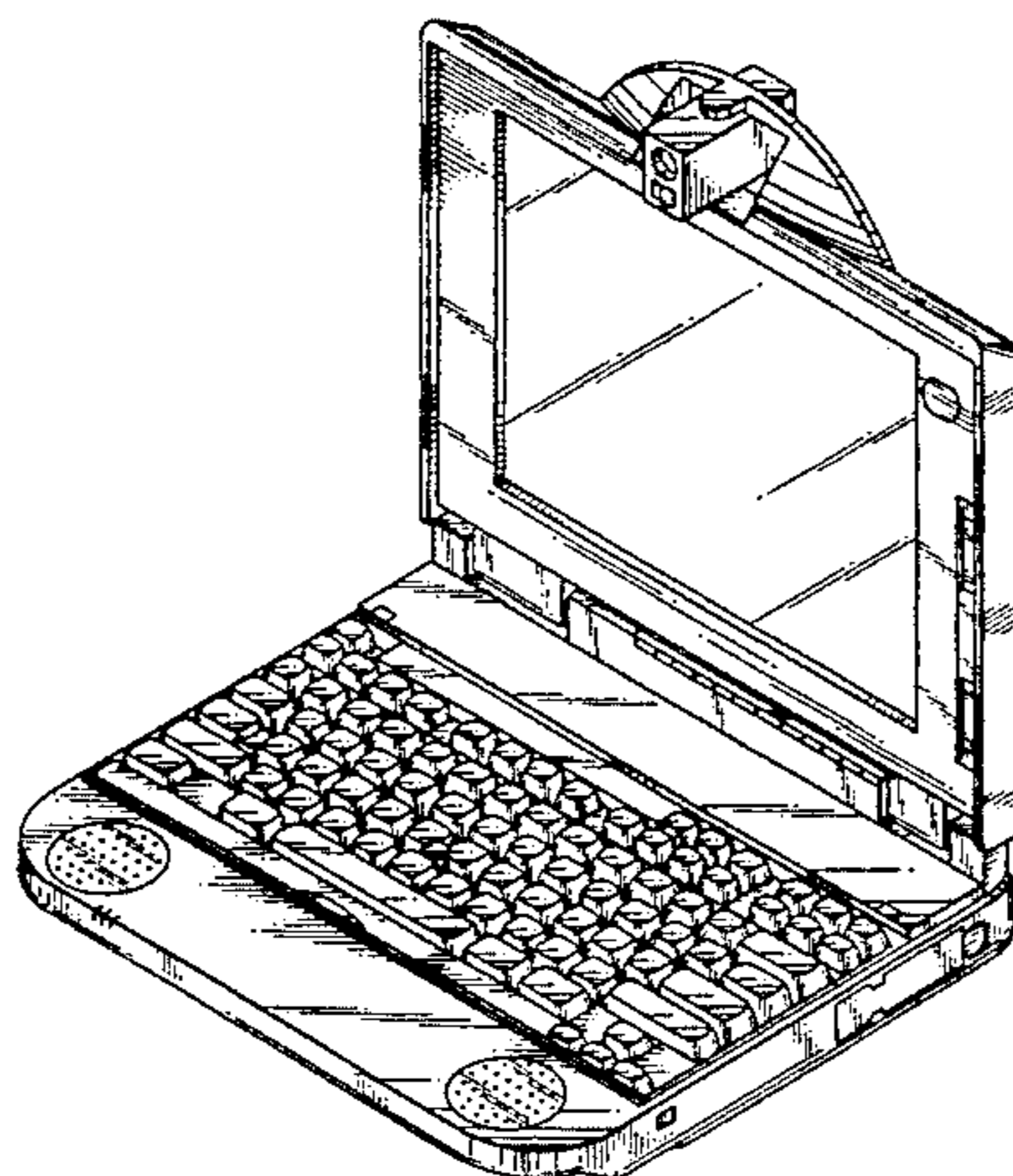
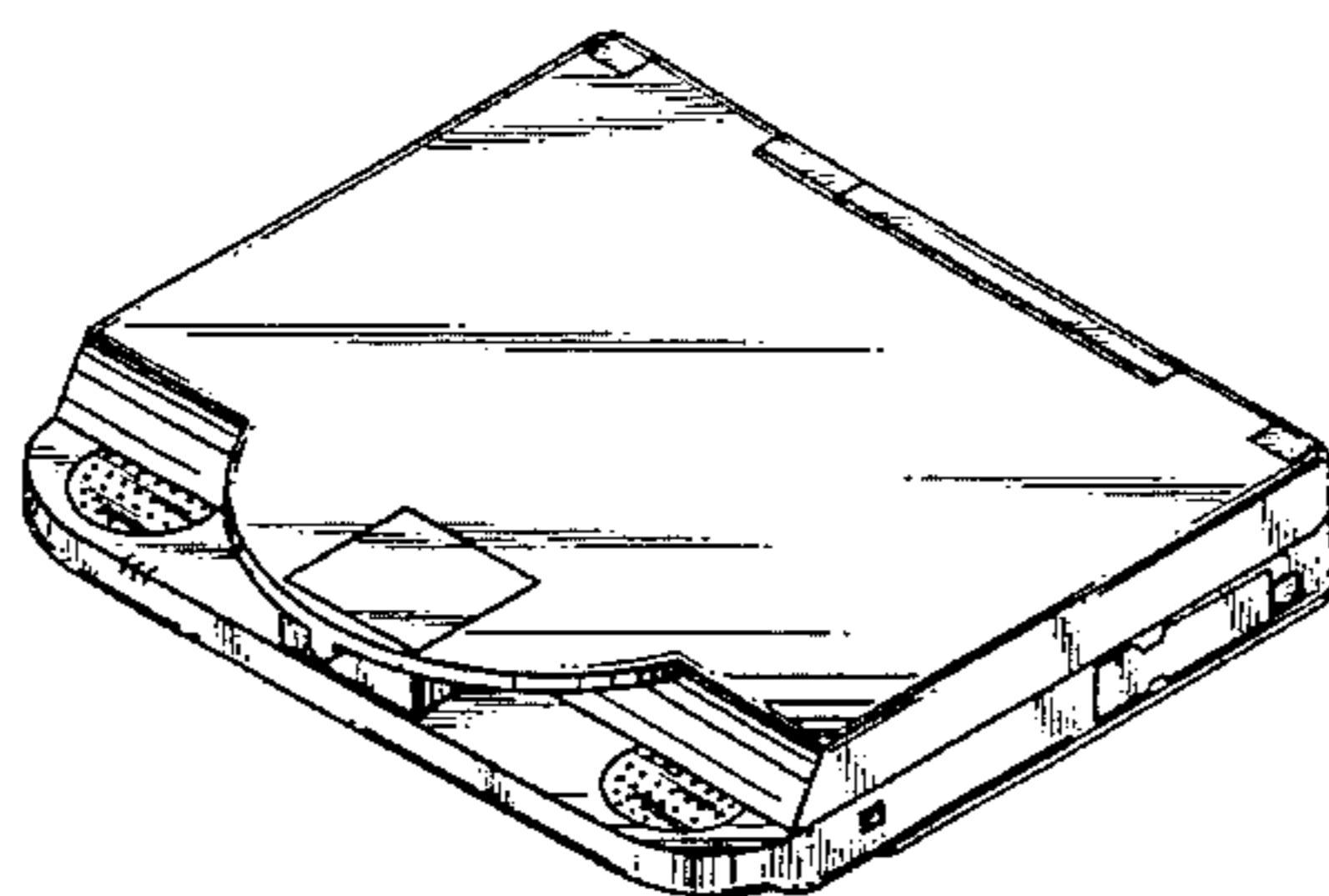
FIG. 15 is a left side elevational view thereof with the cover closed; and,

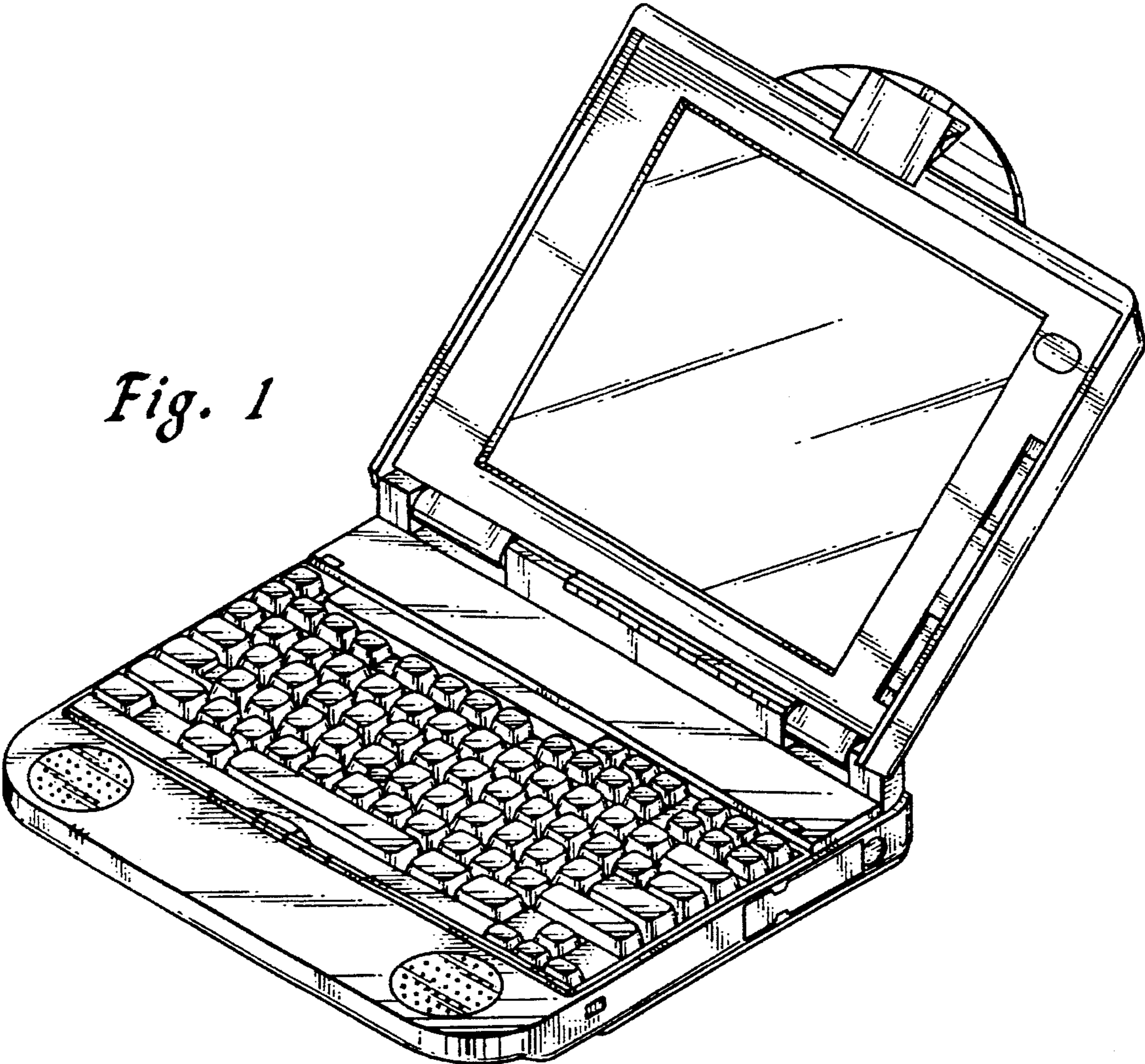
FIG. 16 is a right side elevational view thereof with the cover closed.

Primary Examiner—Freda Nunn

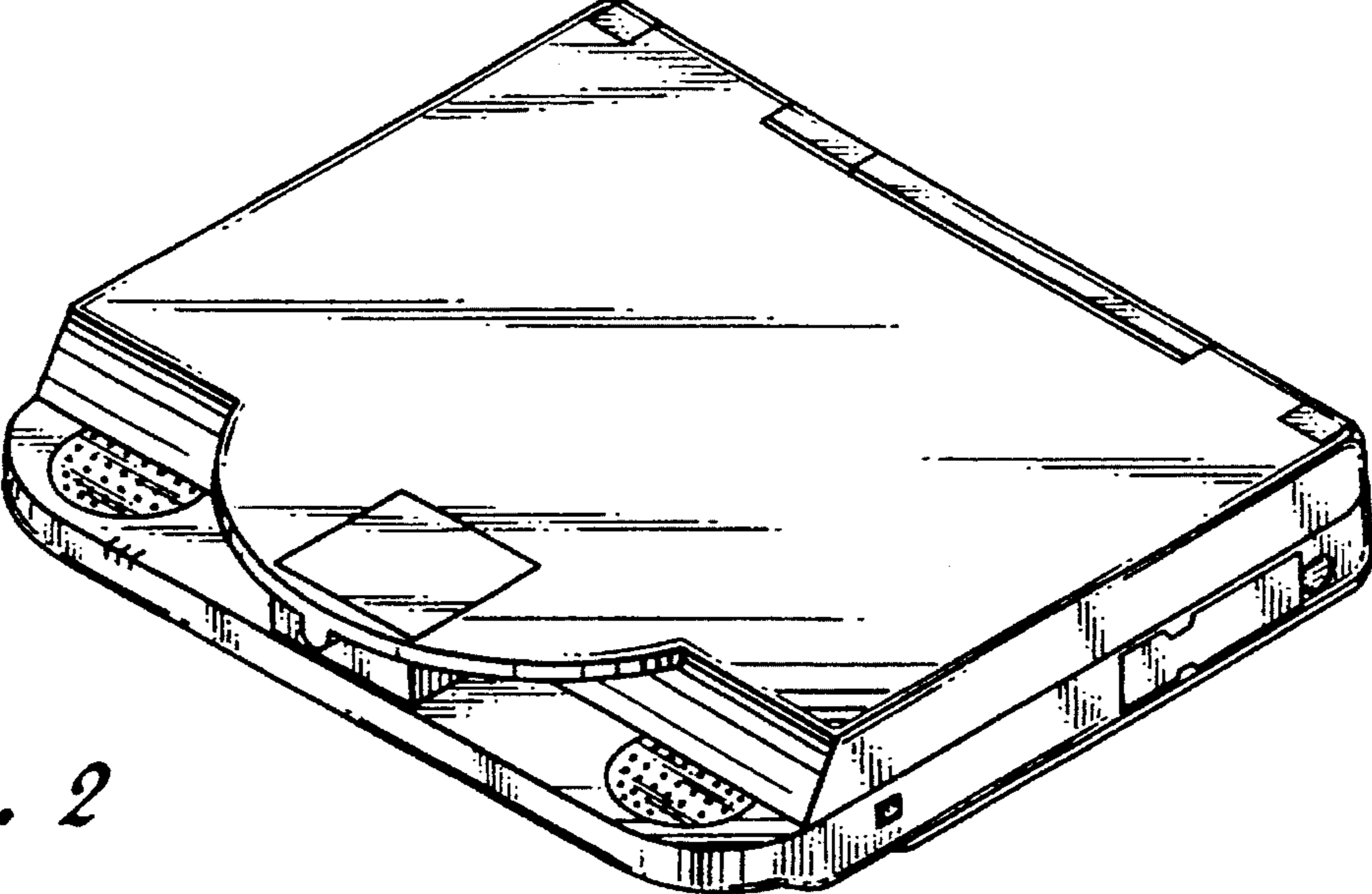
Attorney, Agent, or Firm—Martin J. McKinley; Craig J. Yudell; Andrew J. Dillon

**1 Claim, 5 Drawing Sheets**



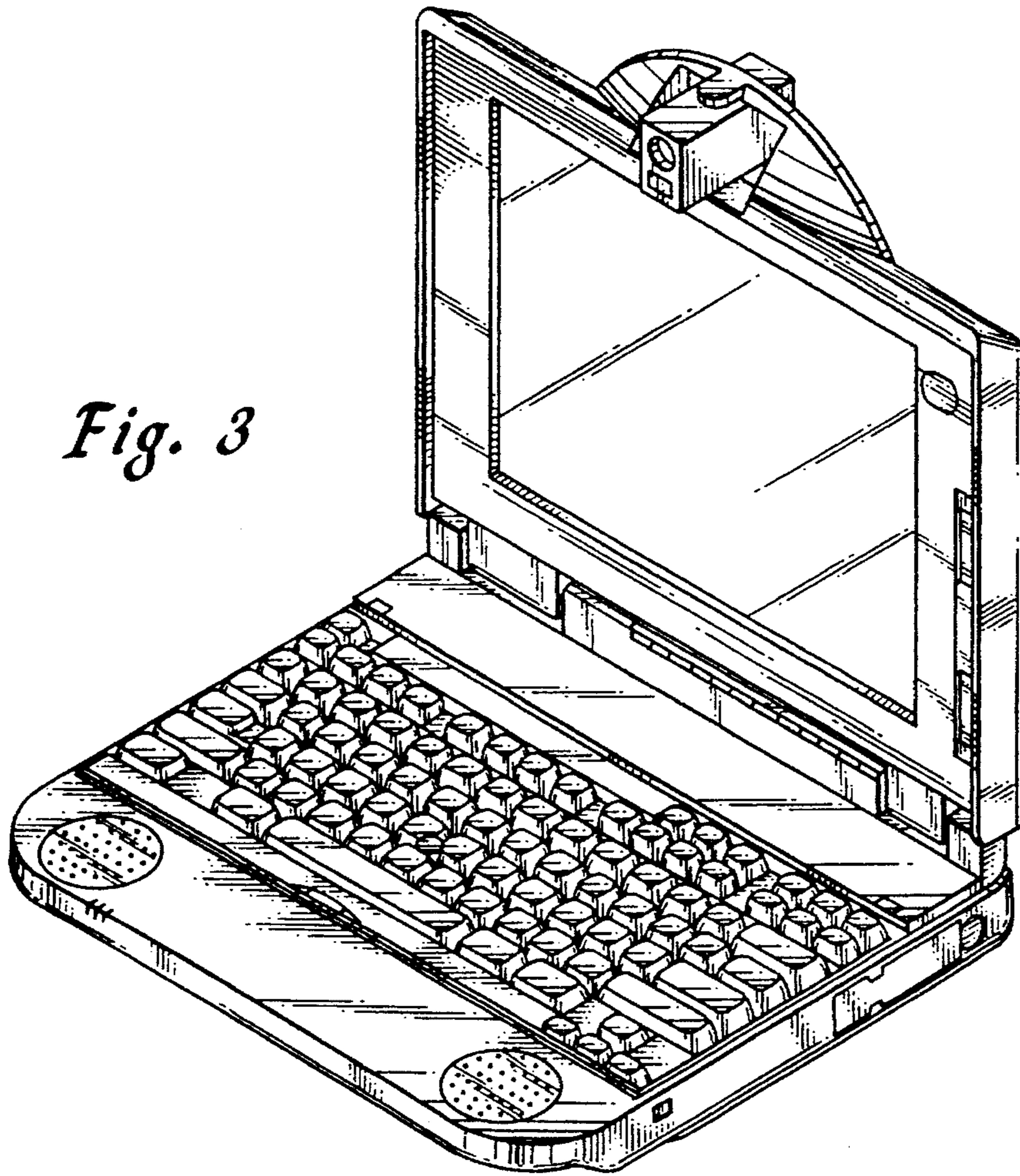


*Fig. 1*

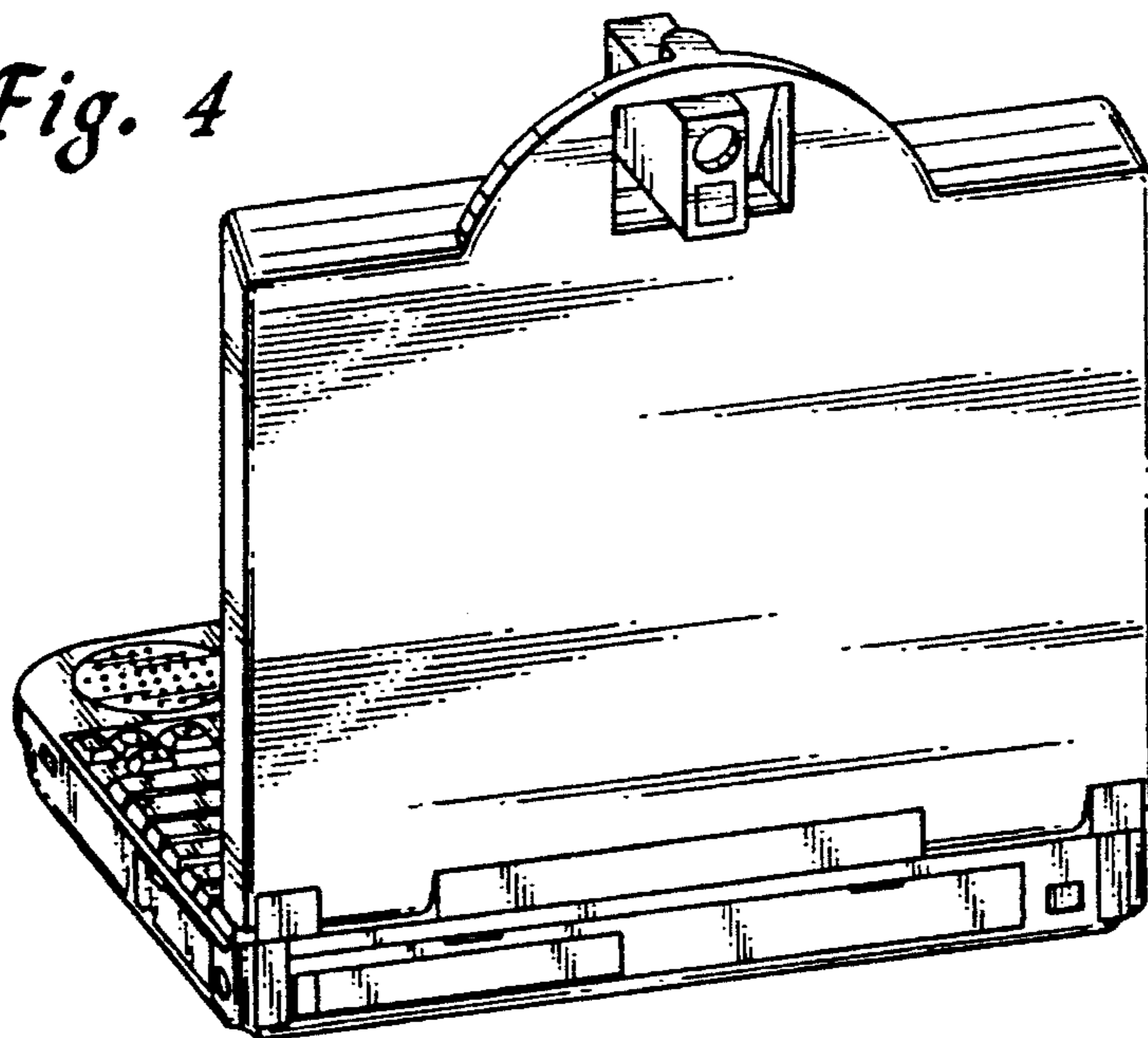


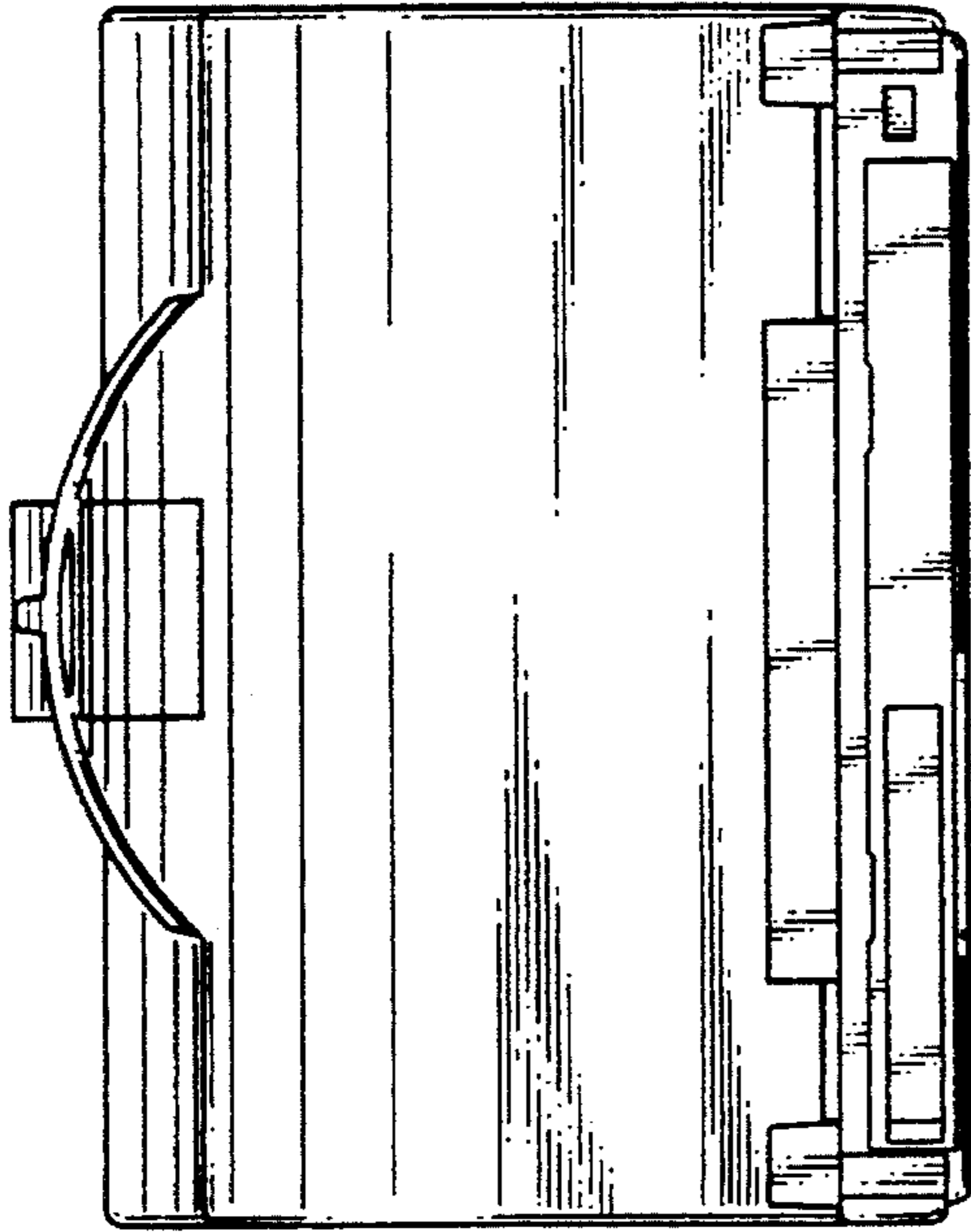
*Fig. 2*

*Fig. 3*

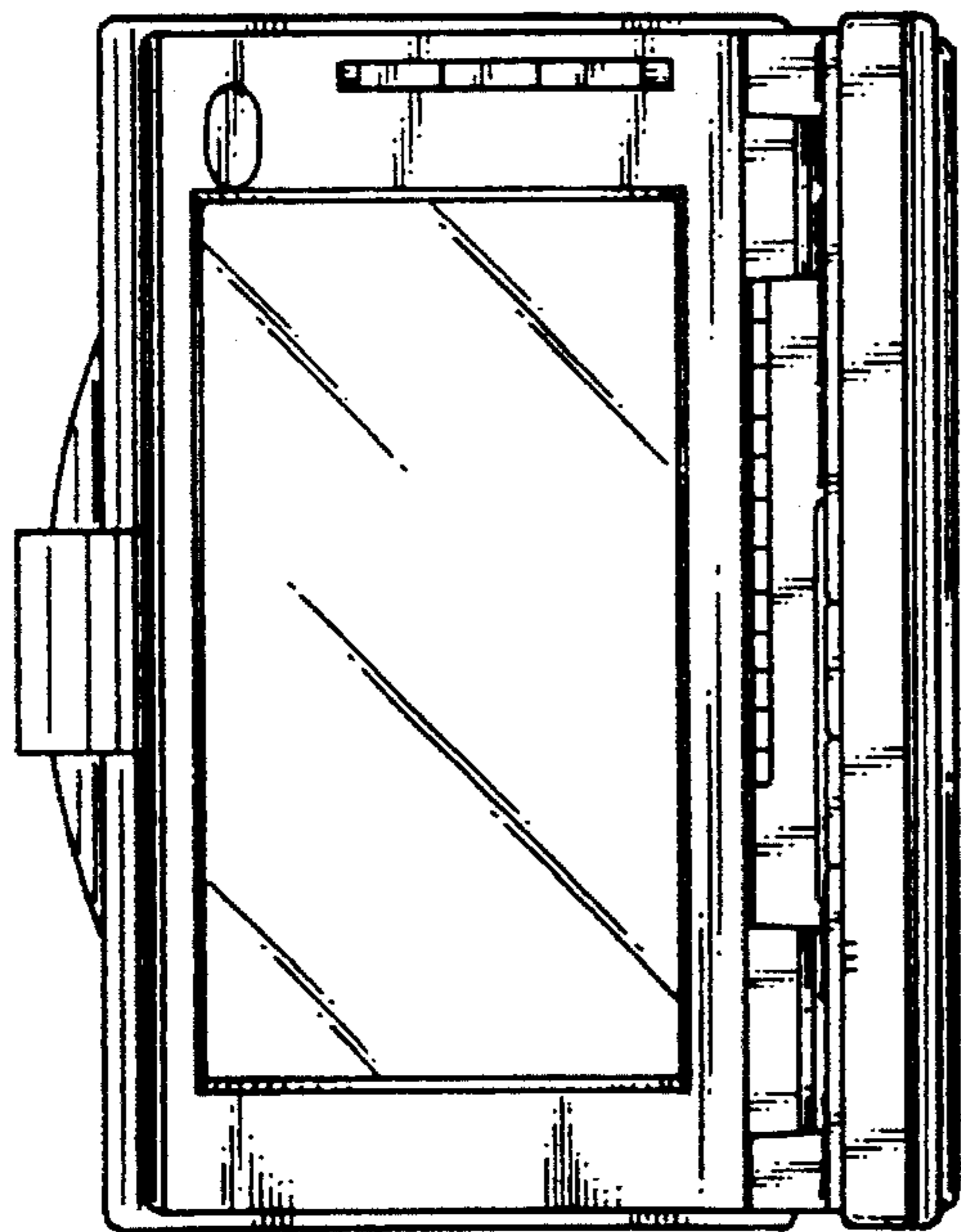


*Fig. 4*

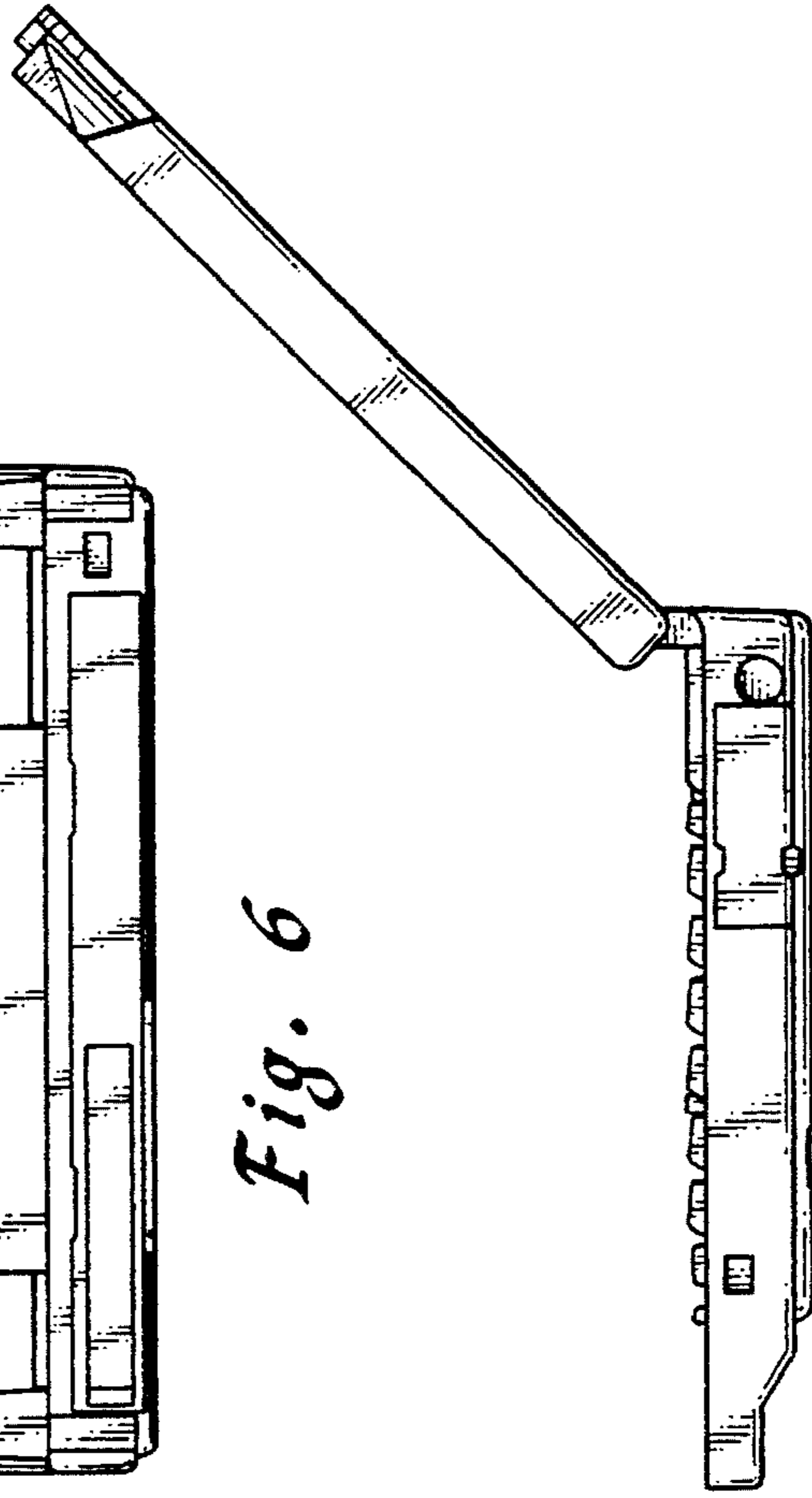




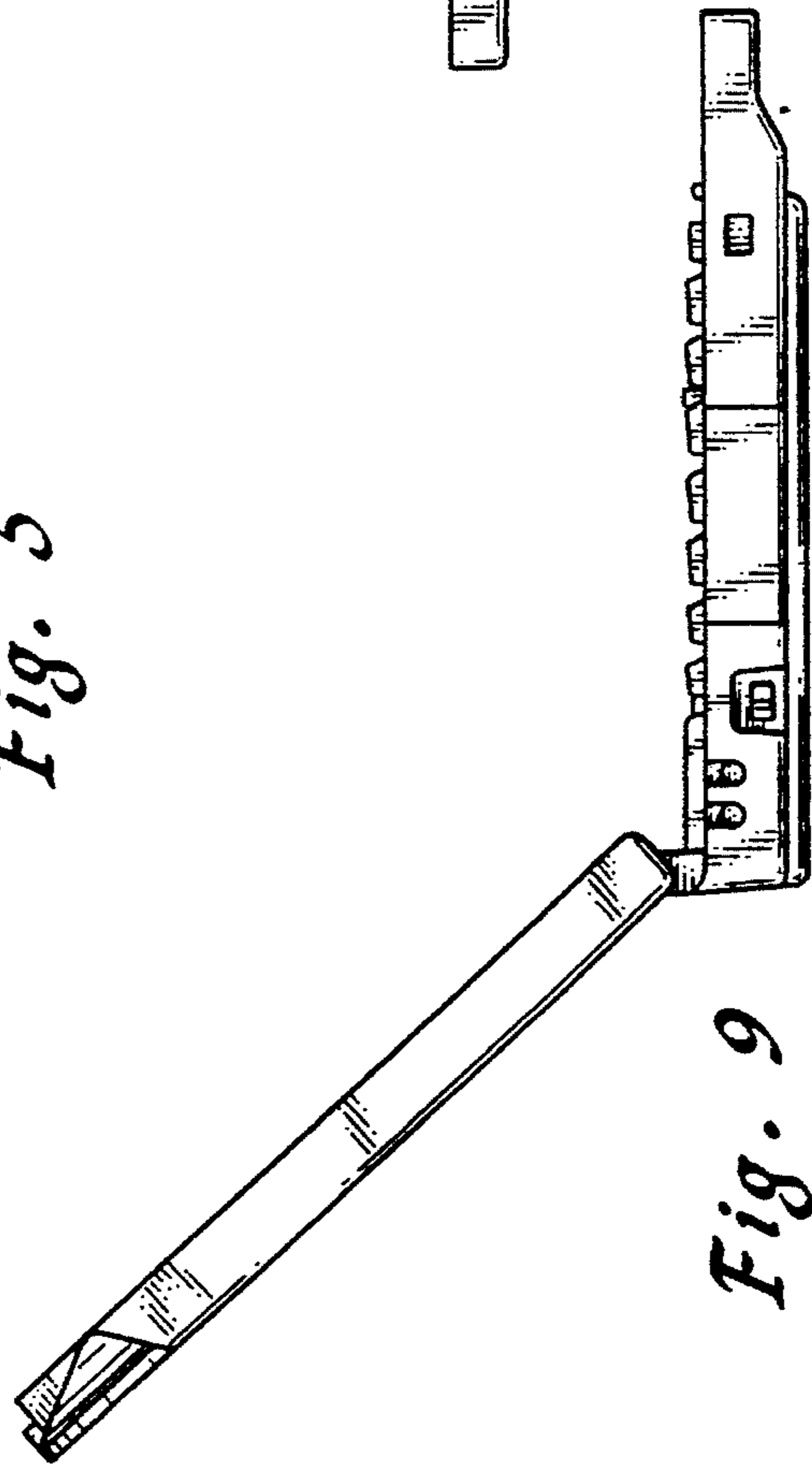
*Fig. 6*



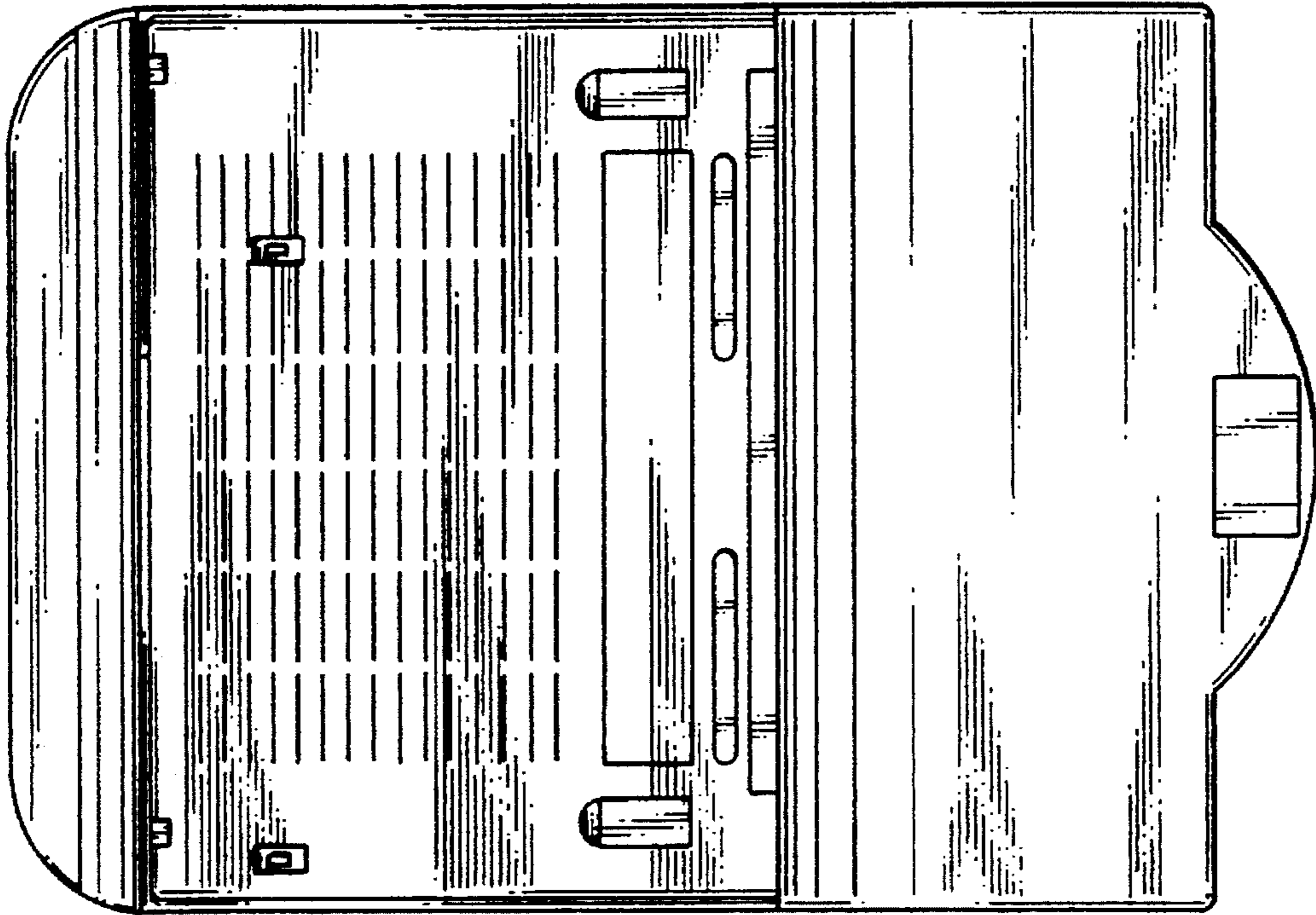
*Fig. 5*



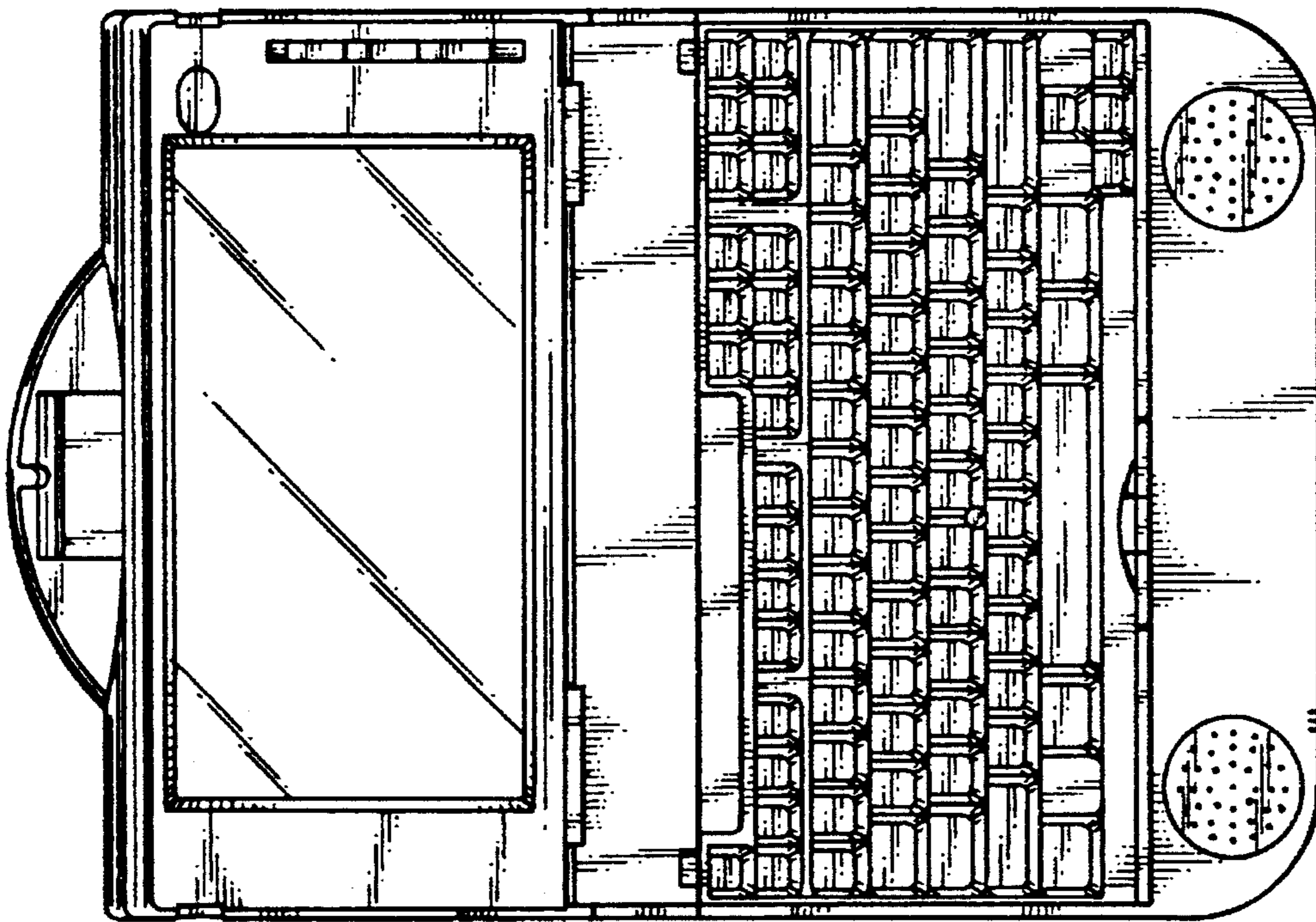
*Fig. 10*



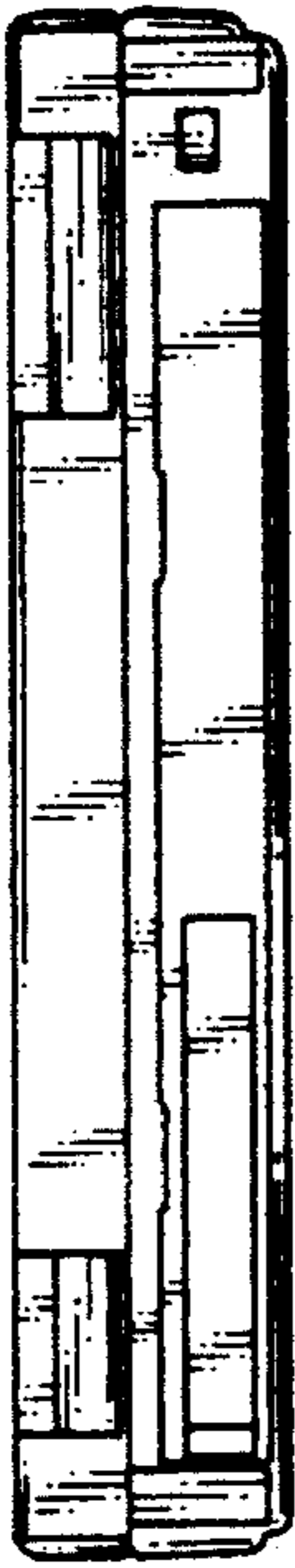
*Fig. 9*



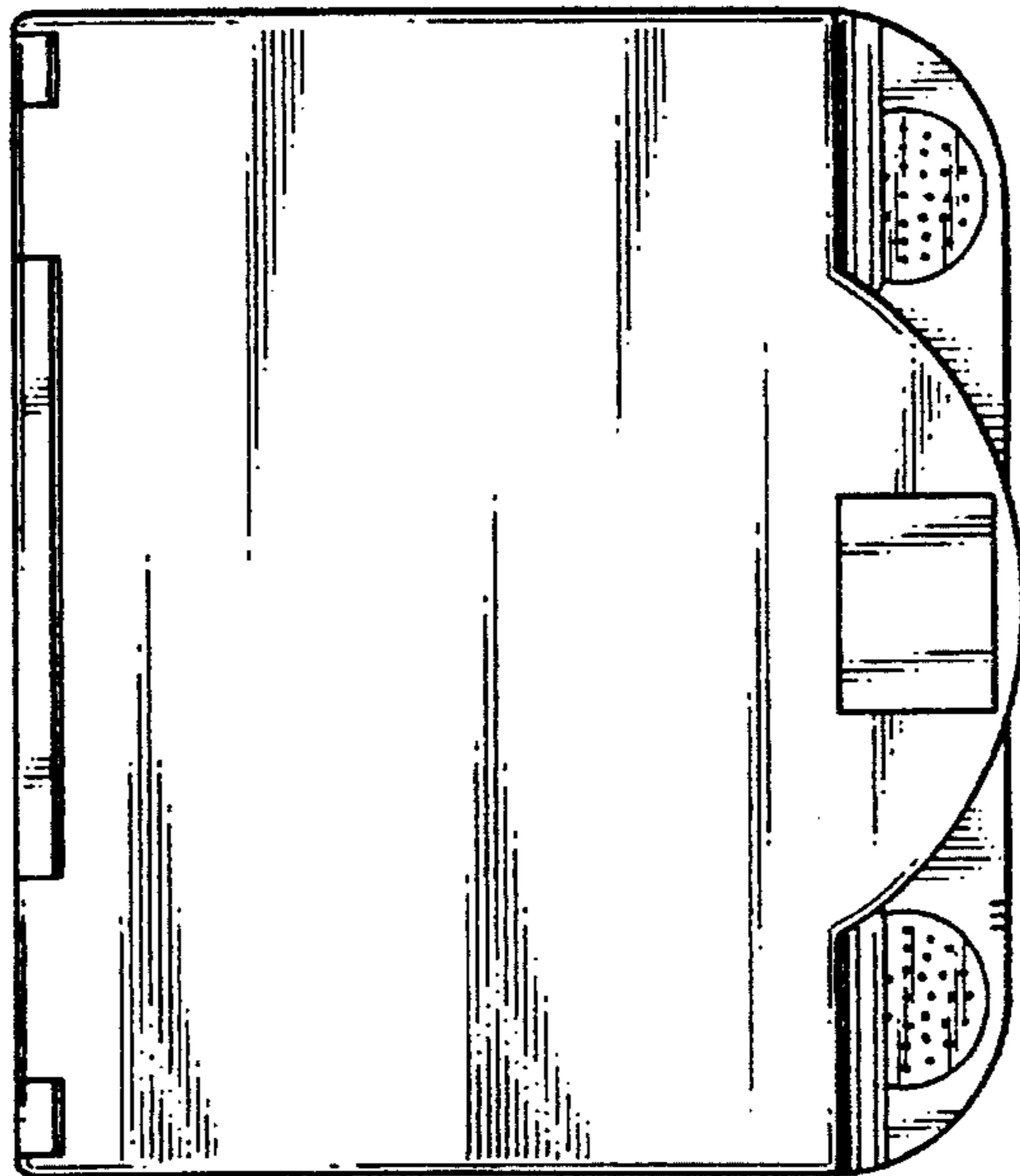
*Fig. 8*



*Fig. 7*

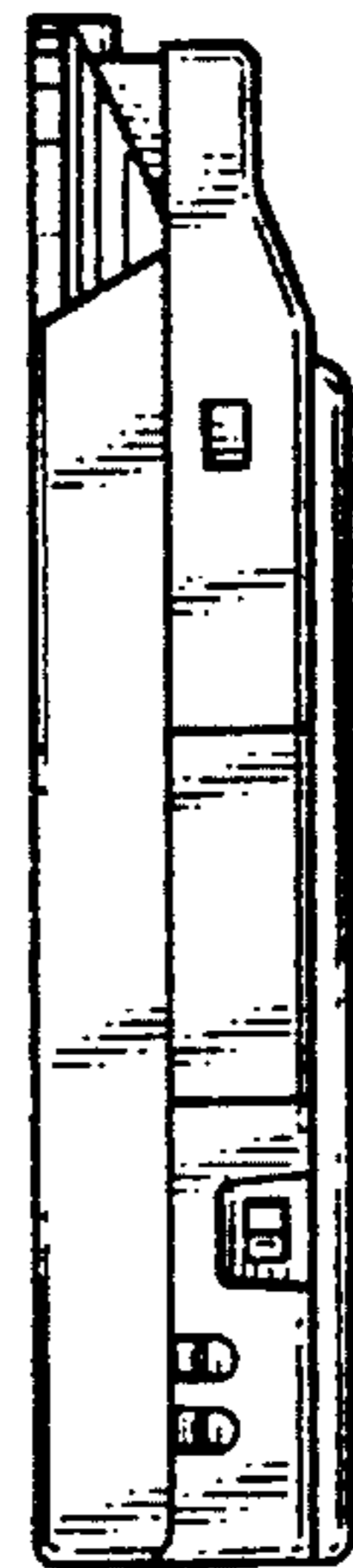


*Fig. 11*



*Fig. 12*

*Fig. 13*



*Fig. 14*

*Fig. 15*    *Fig. 16*

