



US00D363468S

# United States Patent [19]

[11] **Patent Number: Des. 363,468**

**Mieki et al.**

[45] **Date of Patent: \*\*Oct. 24, 1995**

[54] **TABLET-TYPE PORTABLE COMPUTER**

D. 352,279 11/1994 Foy et al. .... D14/100  
D. 353,803 12/1994 Kuzumoto et al. .... D14/100

[75] Inventors: **Nariaki Mieki; Seita Horikoshi**, both of Kanagawa, Japan

*Primary Examiner*—Freda Nunn  
*Attorney, Agent, or Firm*—Martin J. McKinley; Craig J. Yudell; Andrew J. Dillon

[73] Assignee: **International Business Machines Corporation**, Armonk, N.Y.

[\*\*] Term: **14 Years**

[57] **CLAIM**

[21] Appl. No.: **21,419**

The ornamental design for tablet-type portable computer, as shown and described.

[22] Filed: **Apr. 18, 1994**

**DESCRIPTION**

[30] **Foreign Application Priority Data**

Oct. 29, 1993 [JP] Japan ..... 5-33169

[52] **U.S. Cl.** ..... **D14/100; D14/113**

[58] **Field of Search** ..... D14/100, 106, D14/113, 115, 101, 124-127; D19/26, 59, 52, 60, 62; 178/18, 19; 345/104, 156, 168, 173, 901, 905; 364/708.1, 709.04, 709.12; 434/307-309, 317

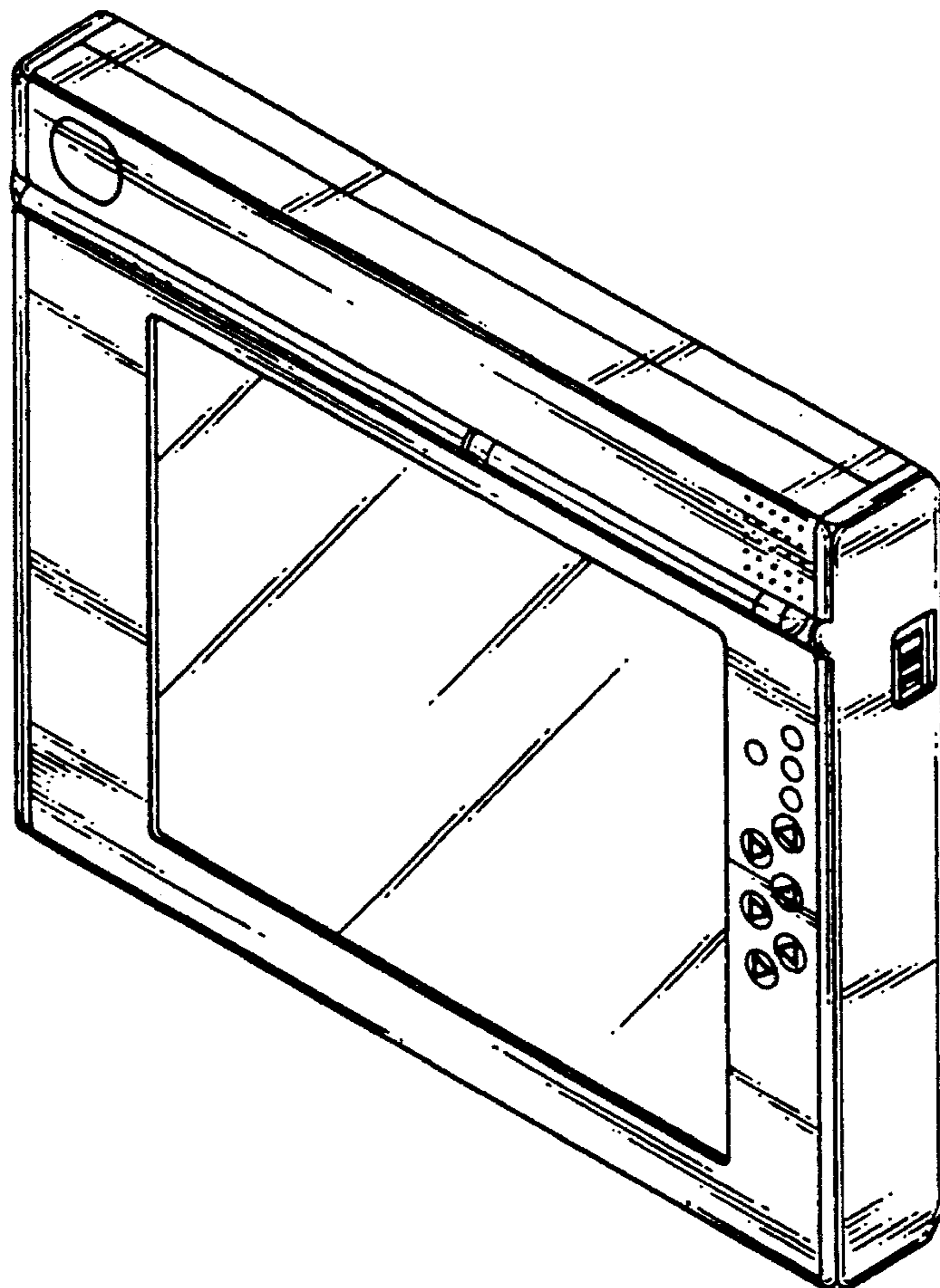
FIG. 1 is a perspective view of a tablet-type portable computer showing our new design;  
FIG. 2 is a front elevational view thereof;  
FIG. 3 is a rear elevational view thereof;  
FIG. 4 is a top plan view thereof;  
FIG. 5 is a bottom plan view thereof;  
FIG. 6 is a left side elevational view thereof; and,  
FIG. 7 is a right side elevational view thereof.

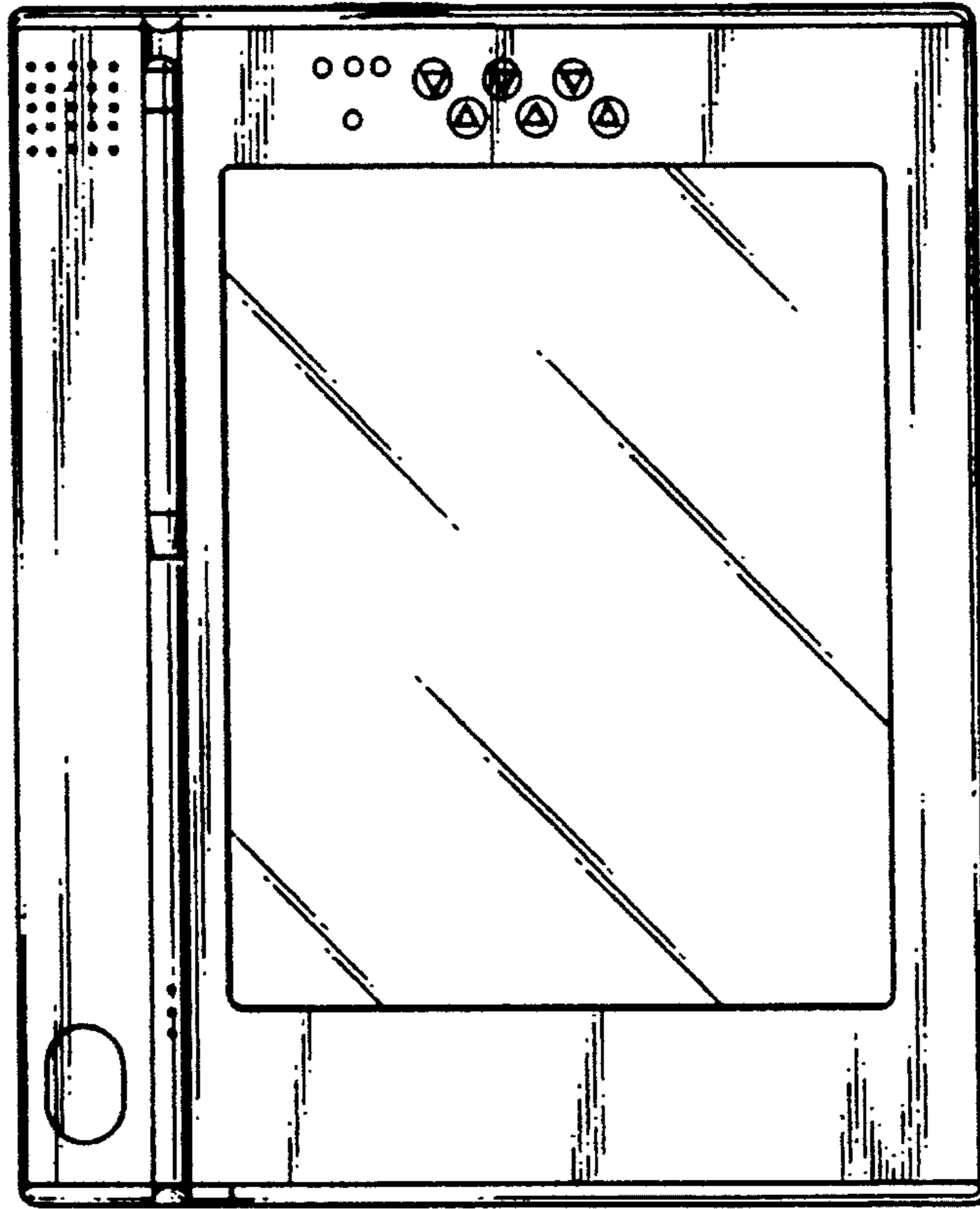
[56] **References Cited**

**U.S. PATENT DOCUMENTS**

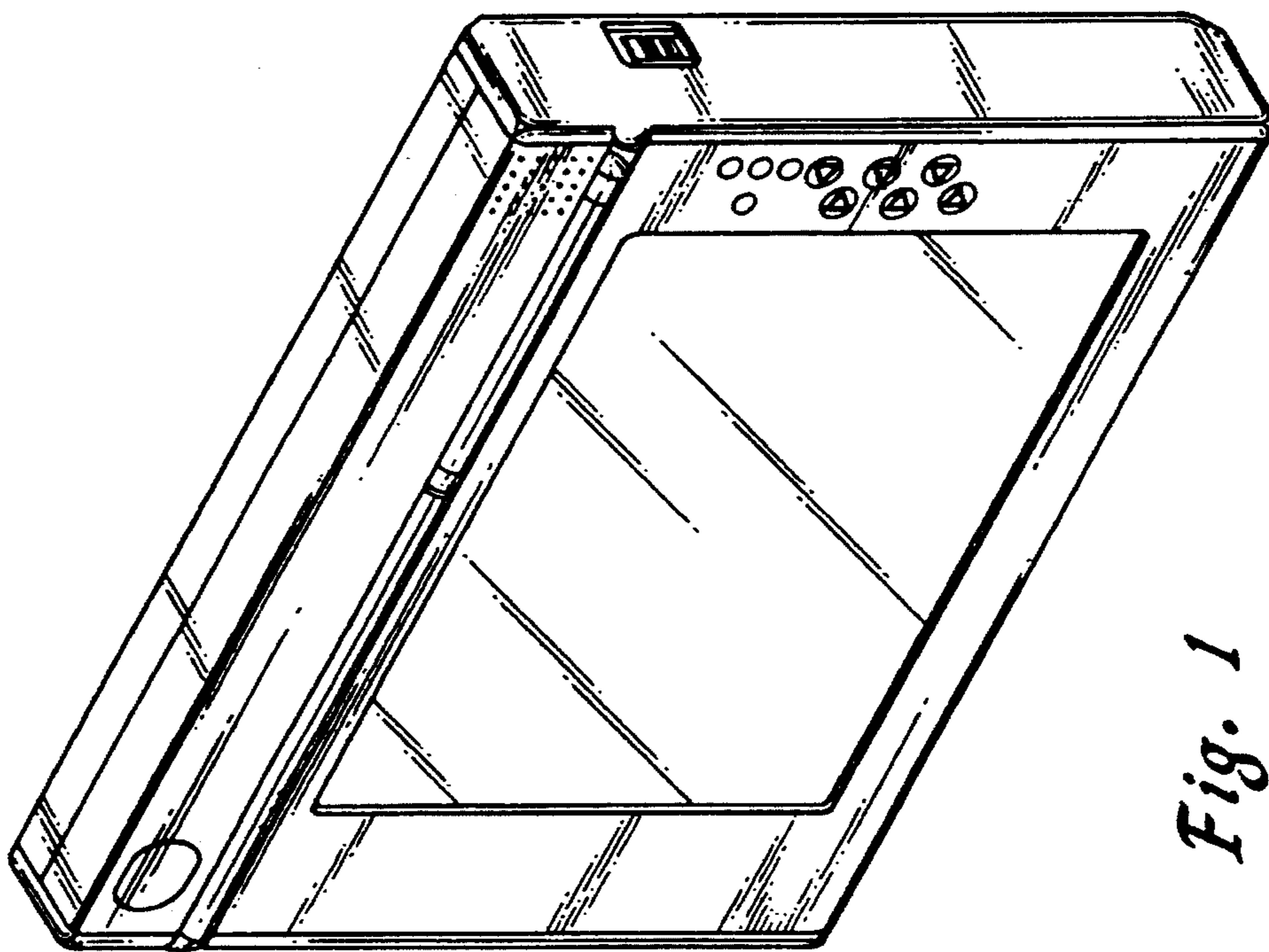
D. 348,449 7/1994 Rodd et al. .... D14/100 X

**1 Claim, 2 Drawing Sheets**





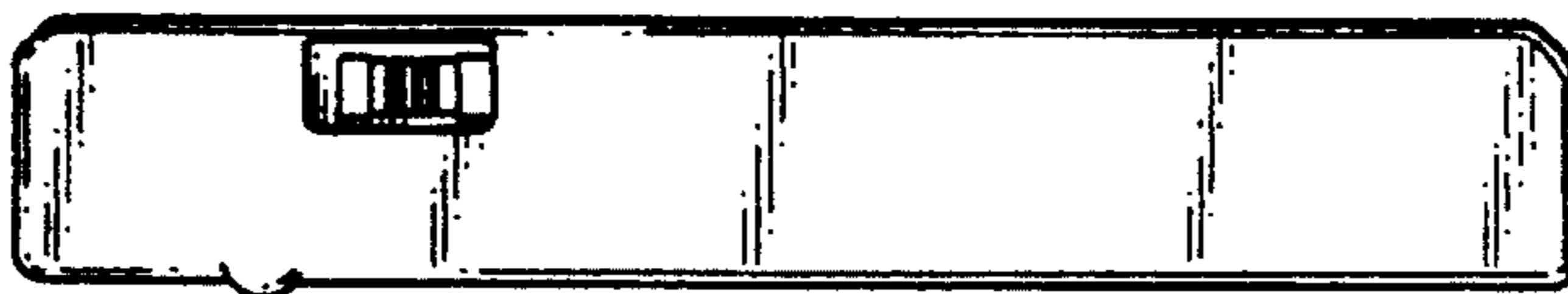
*Fig. 2*



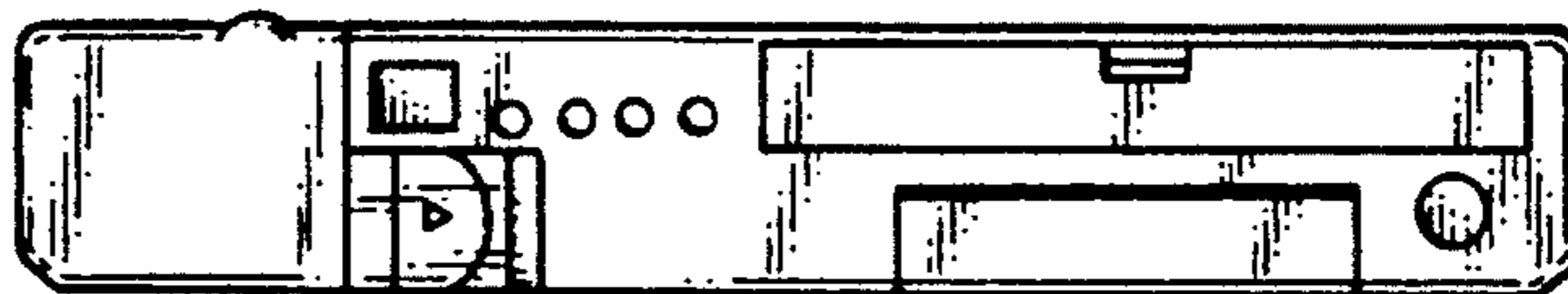
*Fig. 1*



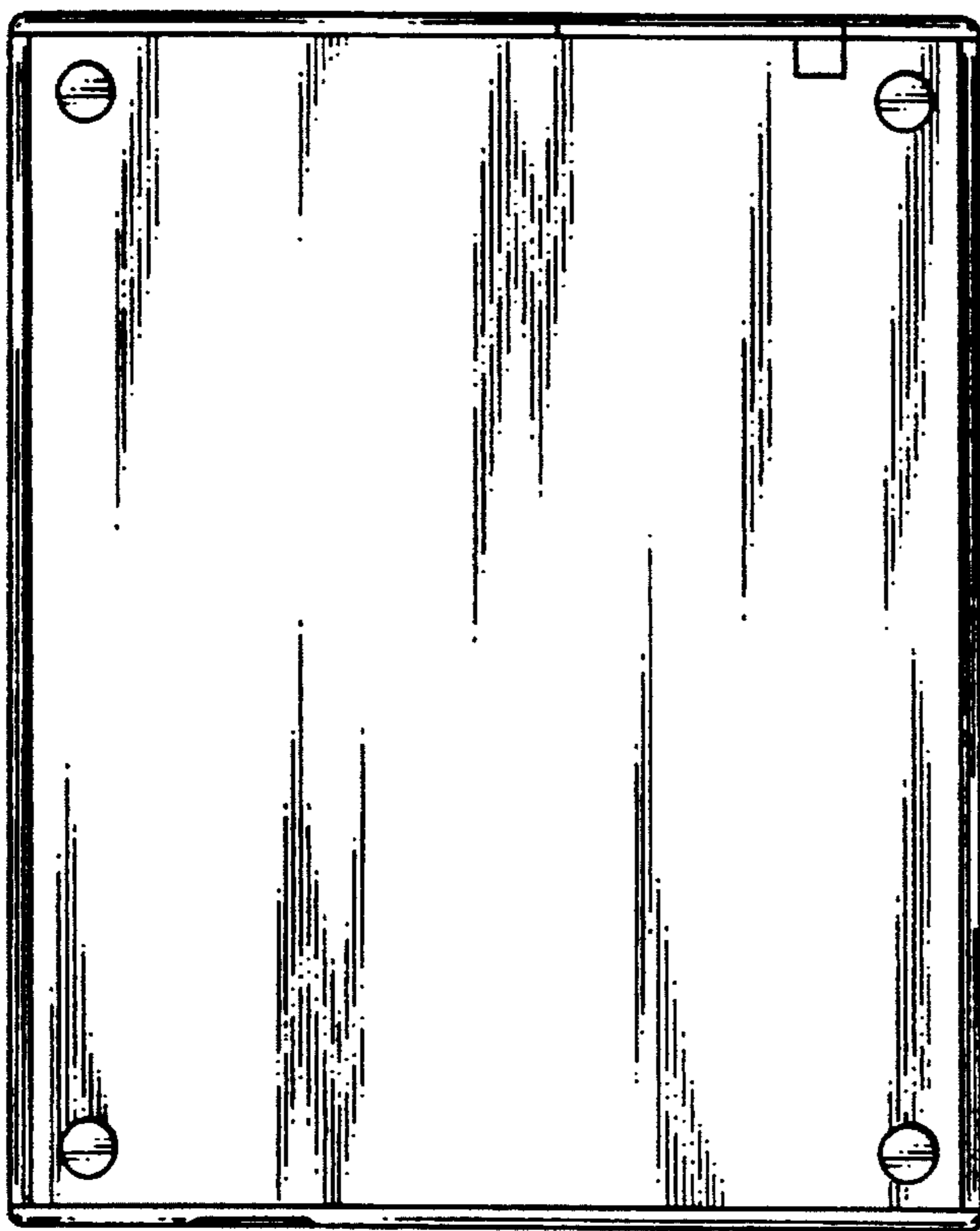
*Fig. 5*



*Fig. 7*



*Fig. 6*



*Fig. 3*



*Fig. 4*