



US00D363464S

# United States Patent [19]

Fukasawa

[11] Patent Number: **Des. 363,464**

[45] Date of Patent: **\*\*Oct. 24, 1995**

[54] **ELECTRODE FOR A SEMICONDUCTOR PROCESSING APPARATUS**

62-252942 11/1987 Japan .  
62-281427 12/1987 Japan .  
325510 4/1991 Japan .  
920077 10/1992 Japan .

[75] Inventor: **Kazuo Fukasawa**, Nirasaki, Japan

[73] Assignee: **Tokyo Electron Yamanashi Limited**, Nirasaki, Japan

*Primary Examiner*—Joel Sincavage  
*Attorney, Agent, or Firm*—Oblon, Spivak, McClelland, Maier & Neustadt

[\*\*] Term: **14 Years**

[57] **CLAIM**

[21] Appl. No.: **5,246**

The ornamental design for an electrode for a semiconductor processing apparatus, as shown and described.

[22] Filed: **Feb. 26, 1993**

**DESCRIPTION**

[30] **Foreign Application Priority Data**

Aug. 27, 1992 [JP] Japan ..... 25414/92

[52] **U.S. Cl.** ..... **D13/182**

[58] **Field of Search** ..... D13/182; 156/345, 156/643, 646; 437/228

FIG. 1 is a front elevational view of an electrode for a semiconductor processing apparatus showing my new design;

FIG. 2 is a right side elevational view thereof; a left side elevational view being a mirror image thereof;

FIG. 3 is a top plan view thereof; a bottom plan view being a mirror image thereof;

FIG. 4 is a rear elevational view thereof;

FIG. 5 is an enlarged cross-sectional view taken along line 5—5 of FIG. 1; and,

FIG. 6 is an enlarged cross-sectional view taken along line 6—6 of FIG. 1.

[56] **References Cited**

**FOREIGN PATENT DOCUMENTS**

60-116126 6/1985 Japan .  
60-169257 11/1985 Japan .  
60-221578 11/1985 Japan .  
61-171128 8/1986 Japan .  
62-60875 3/1987 Japan .

**1 Claim, 2 Drawing Sheets**

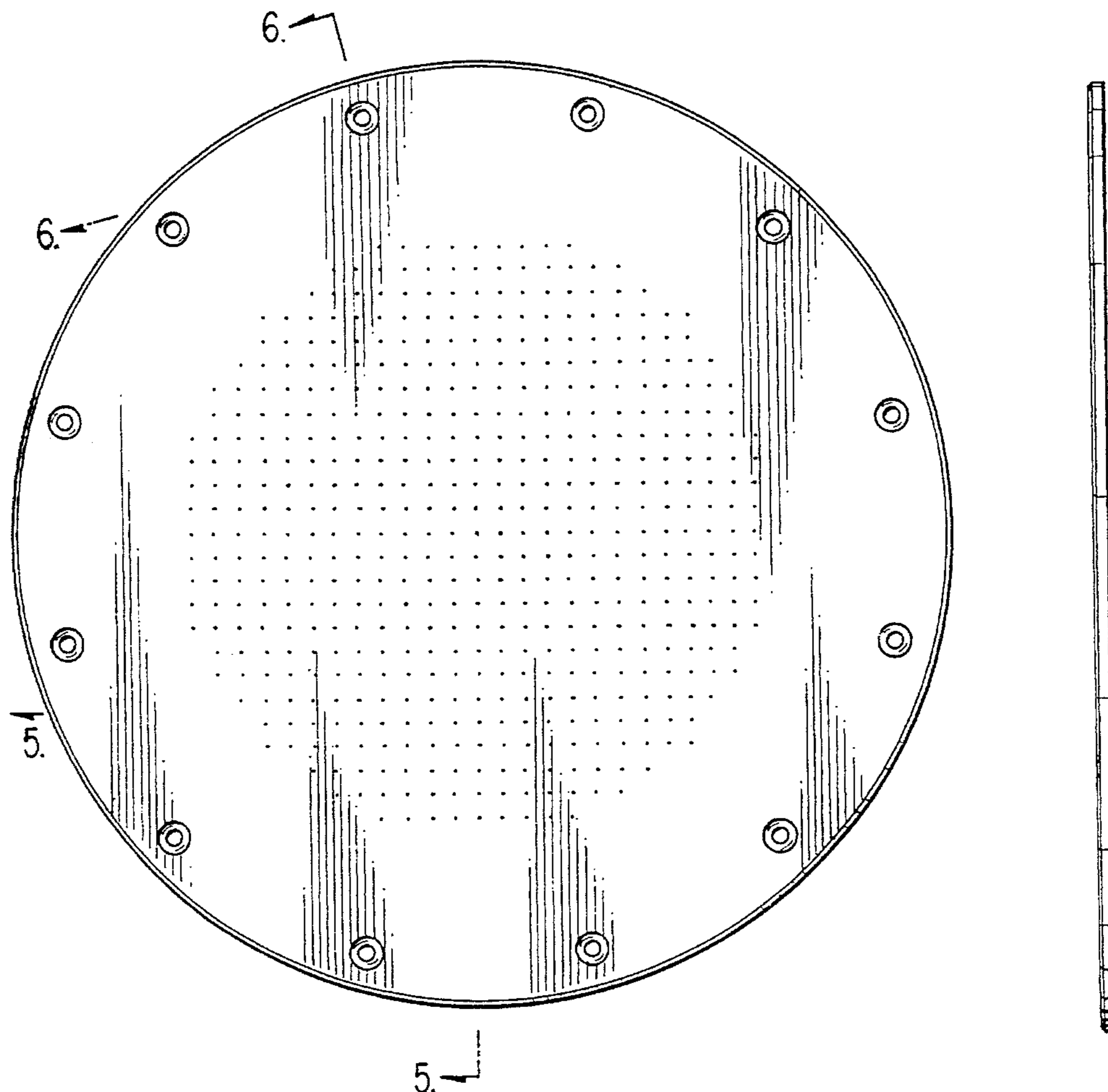


FIG. 1

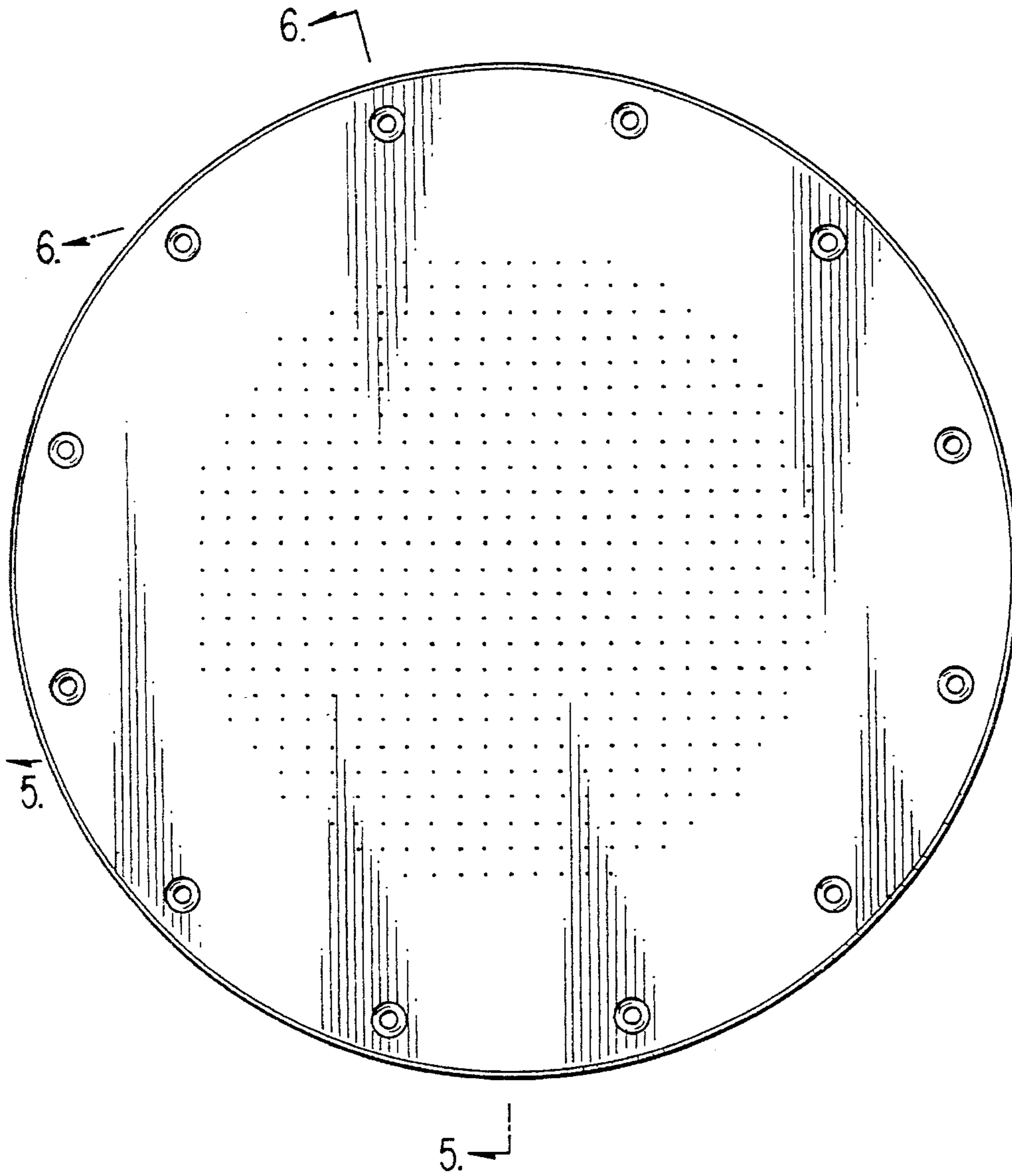


FIG. 2



FIG. 3



FIG. 5



FIG. 4

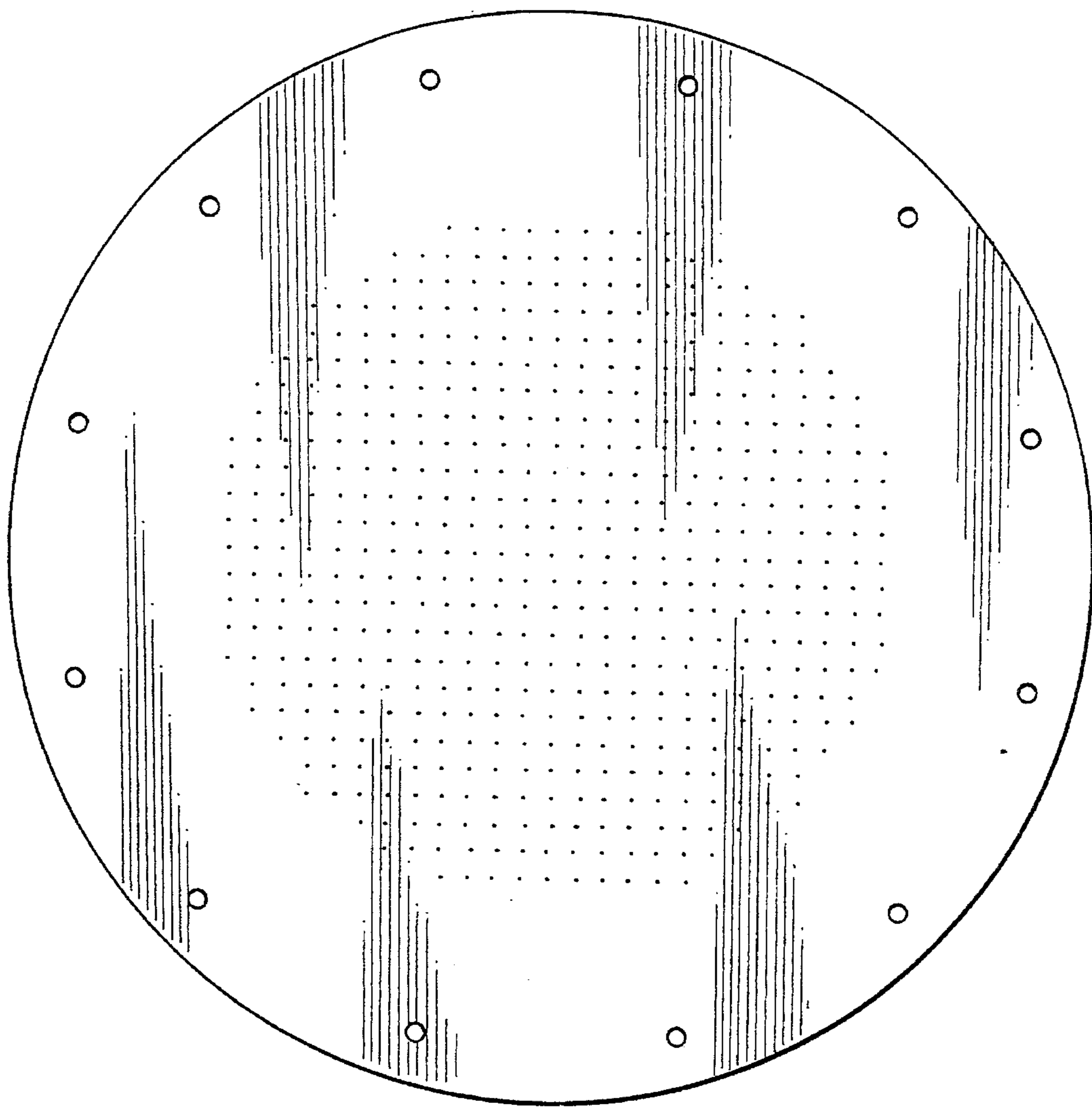


FIG. 6

