



US00D363462S

# United States Patent [19]

Varatta, Sr.

[11] Patent Number: **Des. 363,462**

[45] Date of Patent: **\*\*Oct. 24, 1995**

[54] PAIR OF ELECTRICAL PLUG BLADES

1989.

[75] Inventor: **Thomas Varatta, Sr.**, Greenville, R.I.

*Primary Examiner*—Joel Sincavage  
*Attorney, Agent, or Firm*—Frost & Jacobs

[73] Assignee: **General Cable Industries, Inc.**,  
Highland Heights, Ky.

[\*\*] Term: **14 Years**

### [57] CLAIM

[21] Appl. No.: **11,726**

The ornamental design for pair of electrical plug blades, as shown and described.

[22] Filed: **Aug. 13, 1993**

### DESCRIPTION

[52] U.S. Cl. .... **D13/154**

[58] Field of Search ..... D13/137, 138,  
D13/141, 154; 439/678, 679, 692, 694

FIG. 1 is a perspective view of the instant pair of electrical plug blades. The broken line showing of the electrical plug body is included for the purpose of illustrating environmental structure only and forms no part of the claimed design;

### [56] References Cited

#### U.S. PATENT DOCUMENTS

D. 269,778	7/1983	McGregor	.....	D13/138 X
3,039,075	6/1962	Stollman	.....	439/679
3,915,543	10/1975	Pfeifer	.....	439/679

FIG. 2 is a front view thereof;

FIG. 3 is a top view thereof;

FIG. 4 is a bottom view thereof;

FIG. 5 is a right side view thereof; and,

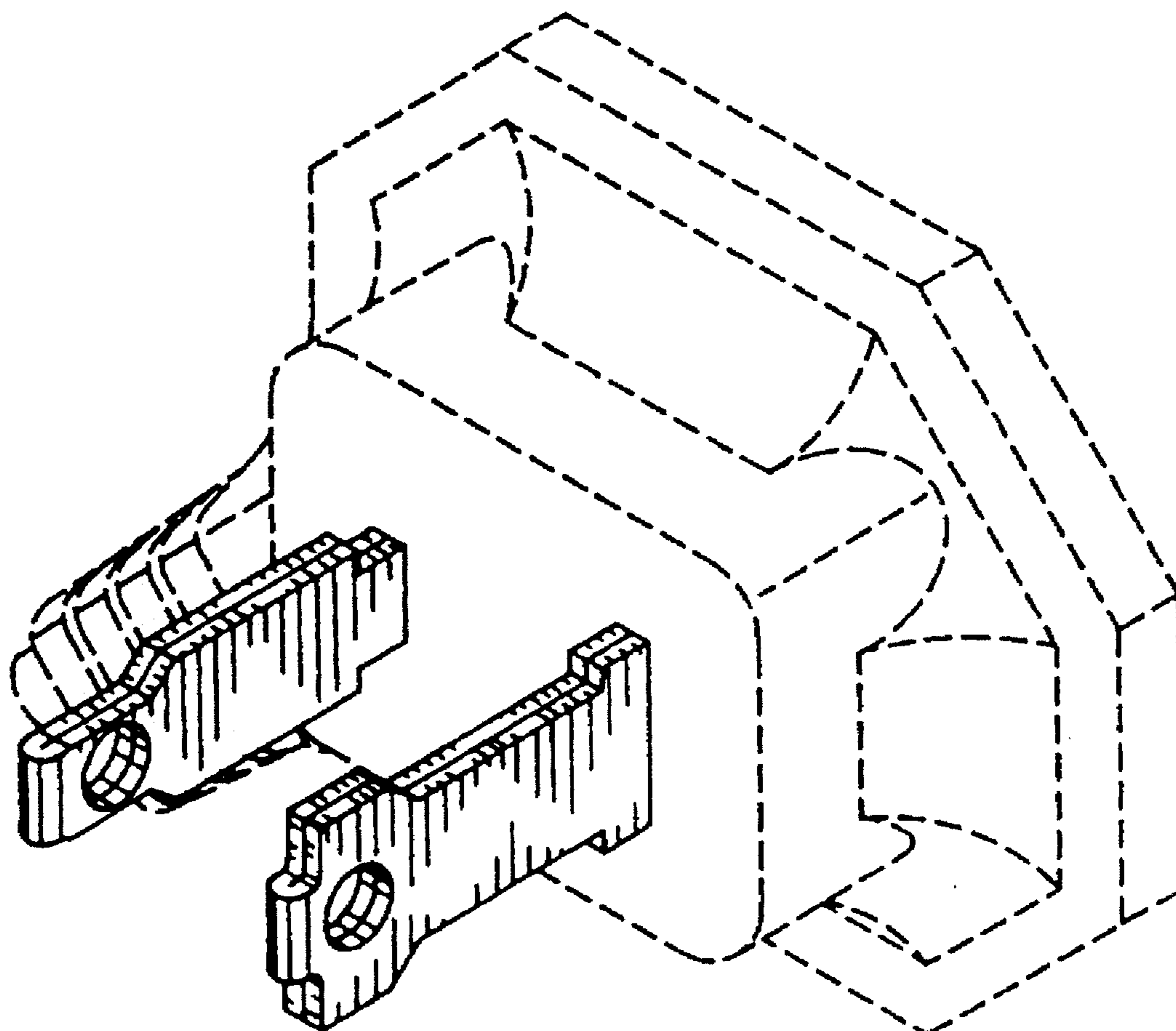
FIG. 6 is a left side view thereof.

#### OTHER PUBLICATIONS

Prongs of adapter 5272 on p. M-1 of Bryant Wiring Devices catalog No. BDB 1504, Jun. 1987.

Plug prongs shown on p. 72 of *The Family Handiman* May

**1 Claim, 1 Drawing Sheet**



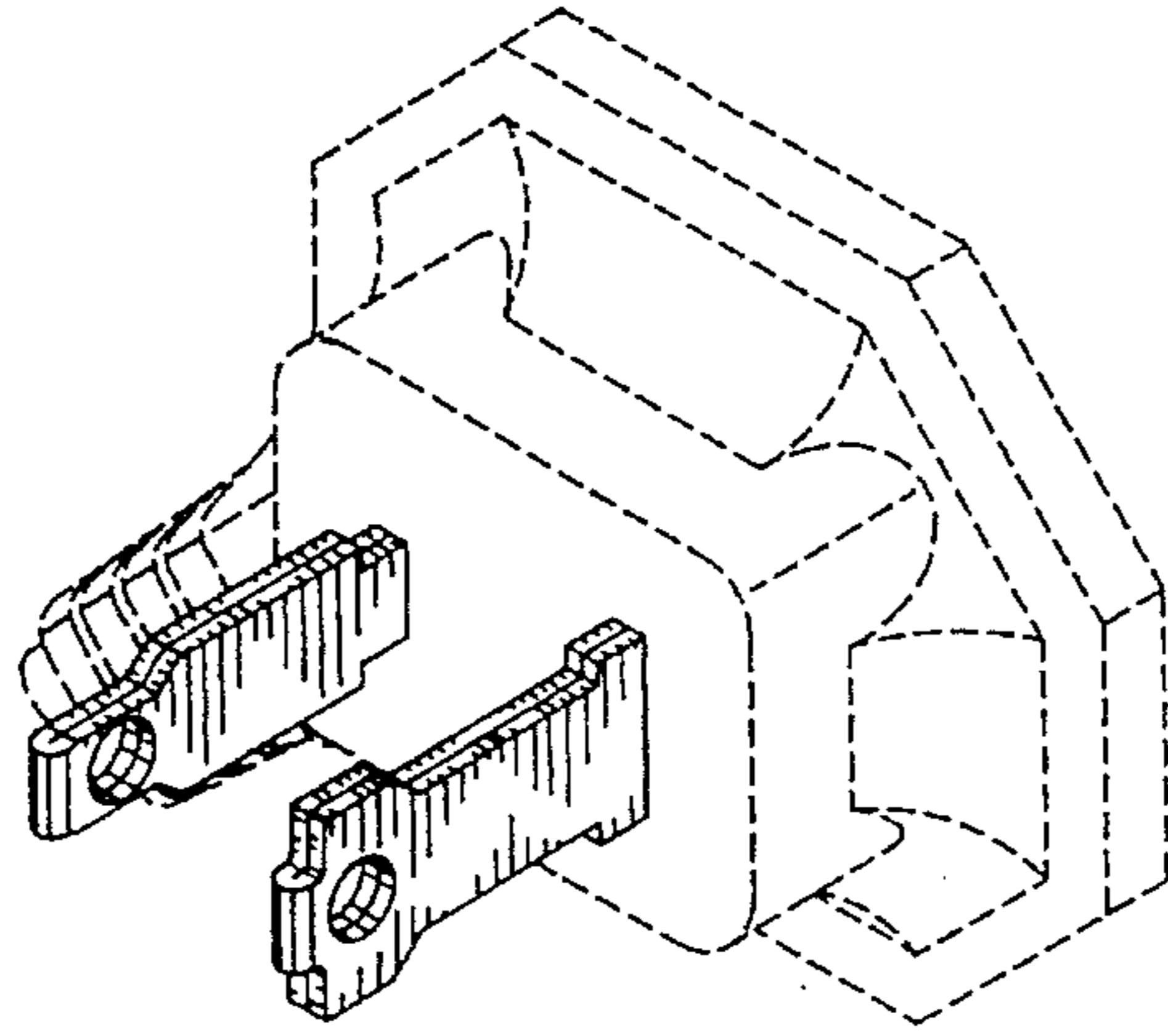


FIG. 1

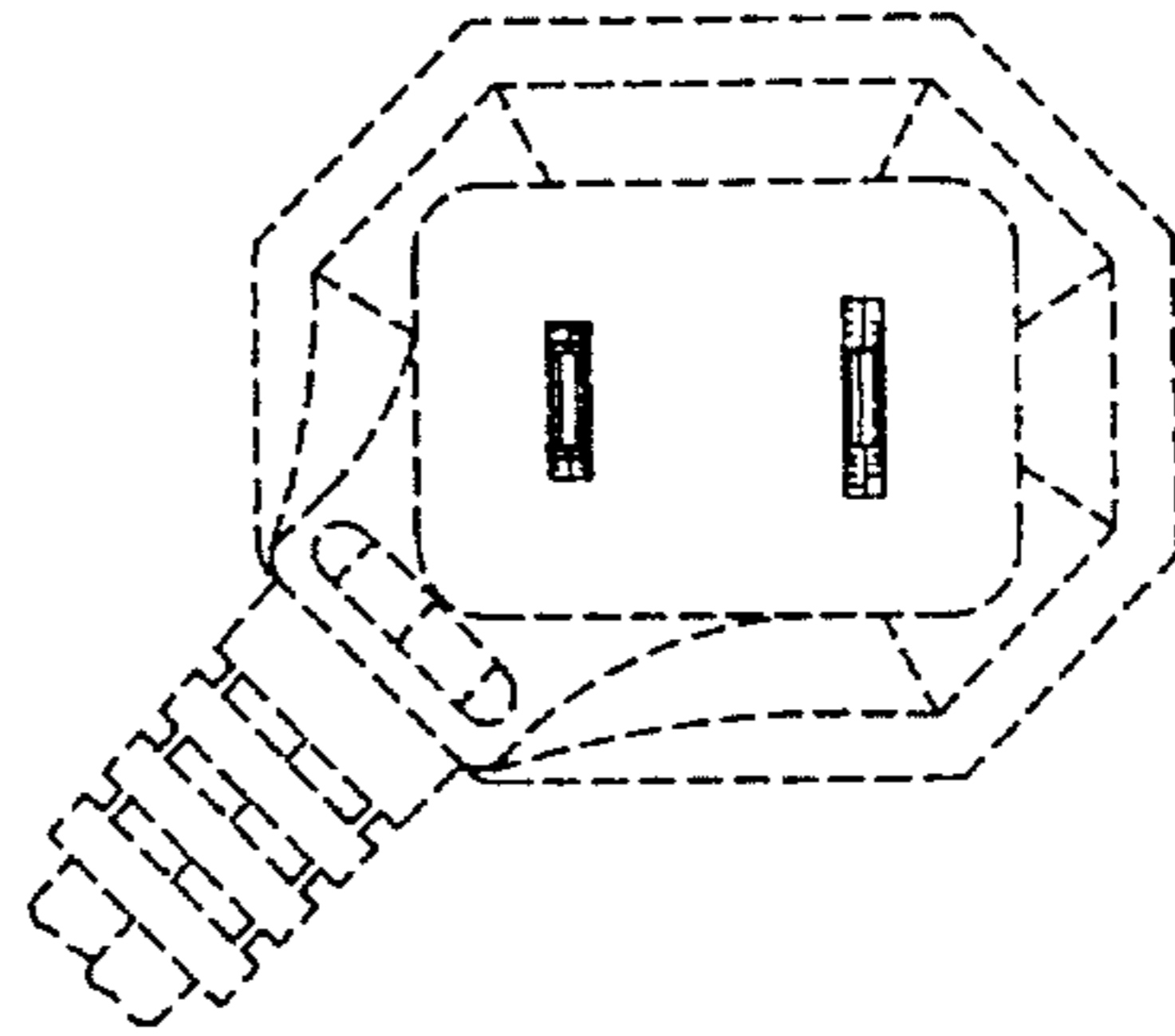


FIG. 2

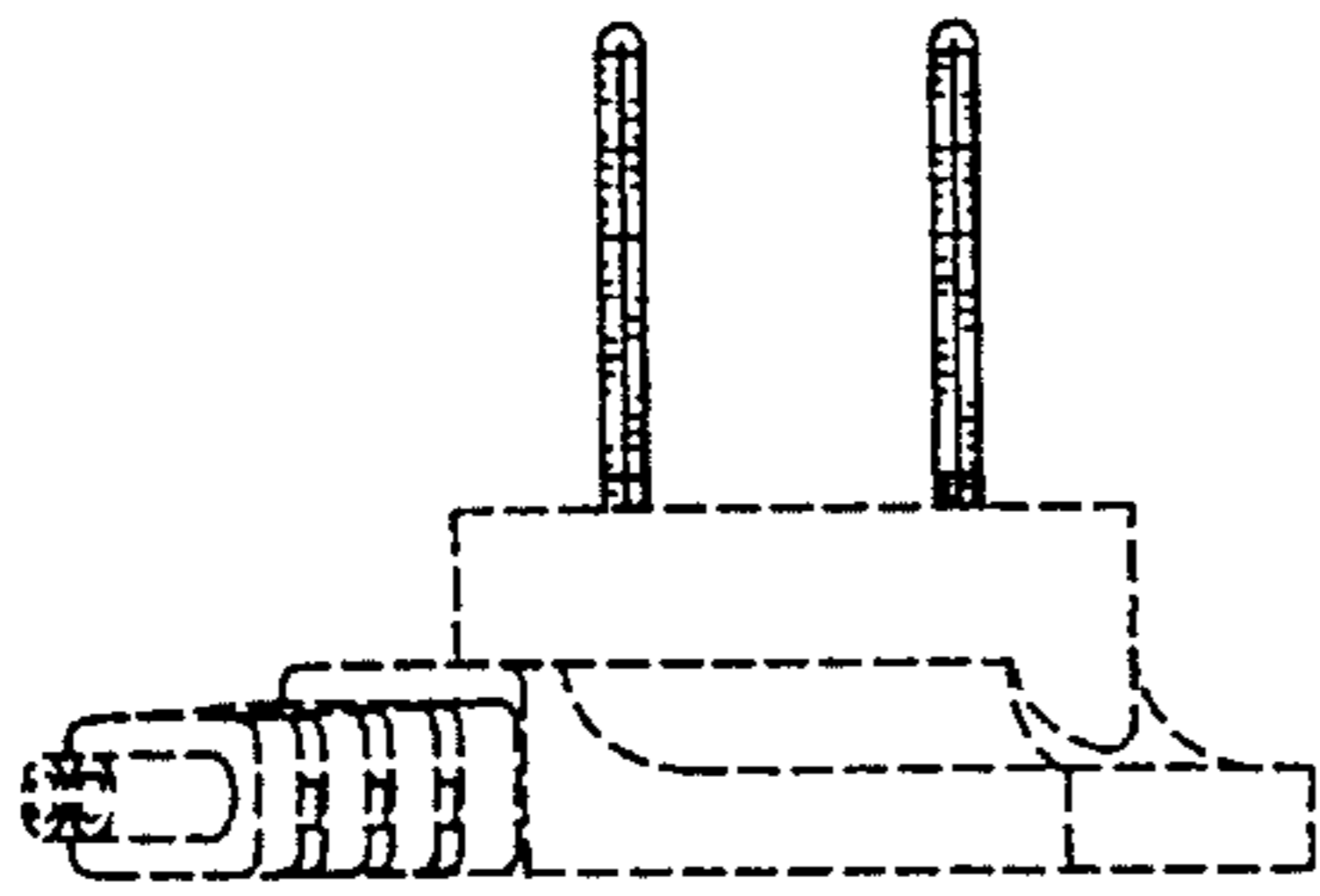


FIG. 4

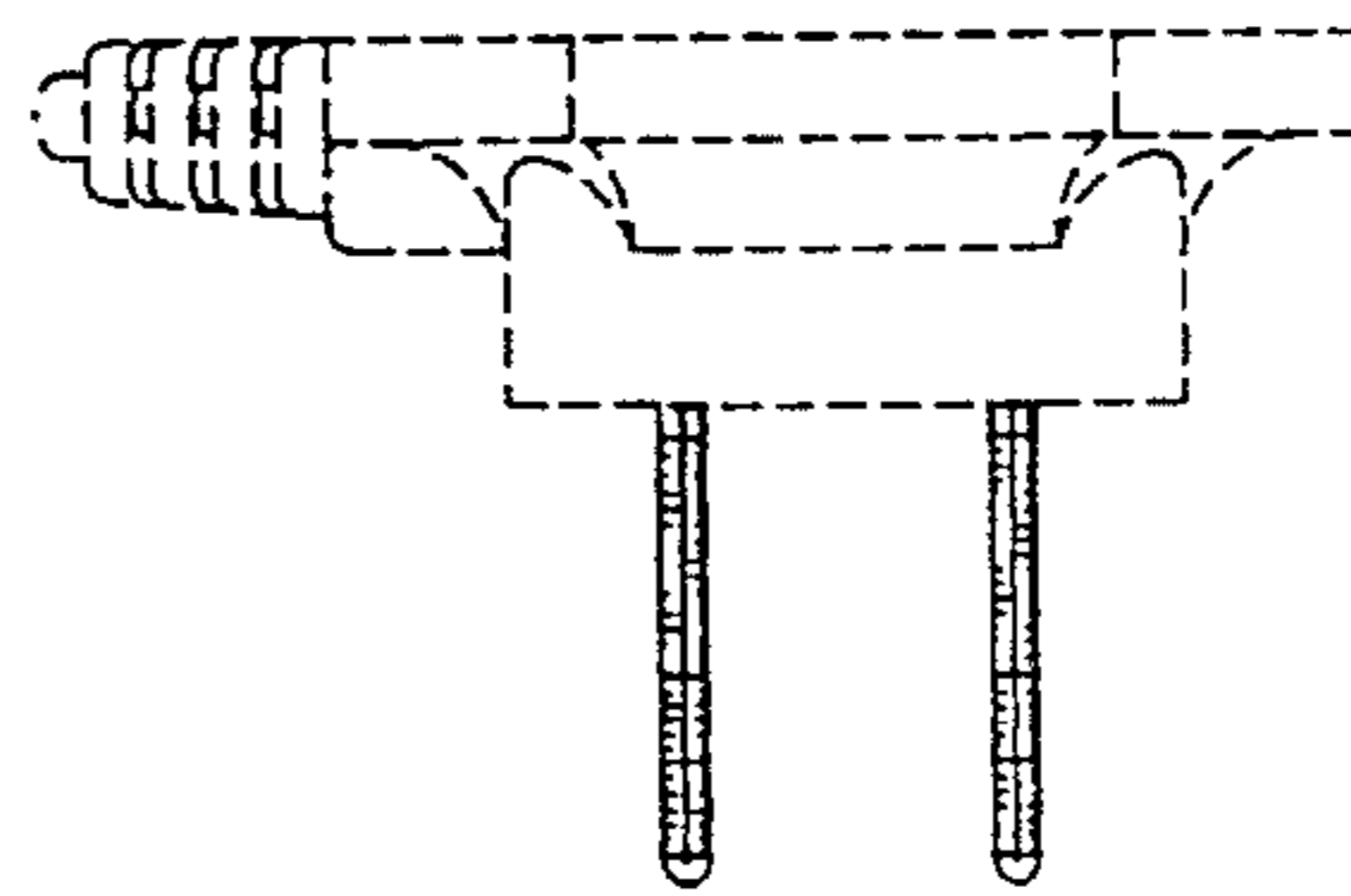


FIG. 3

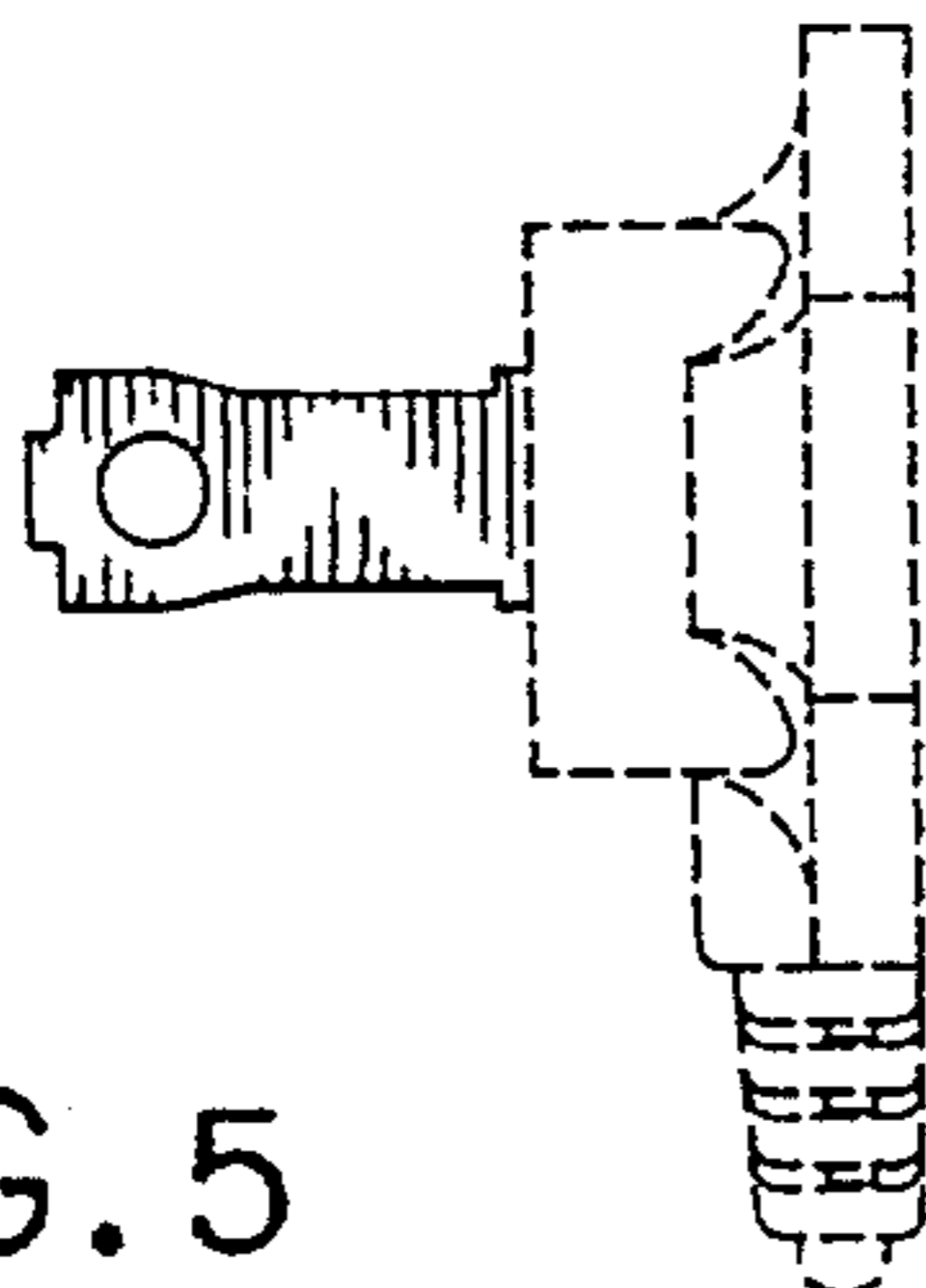


FIG. 5

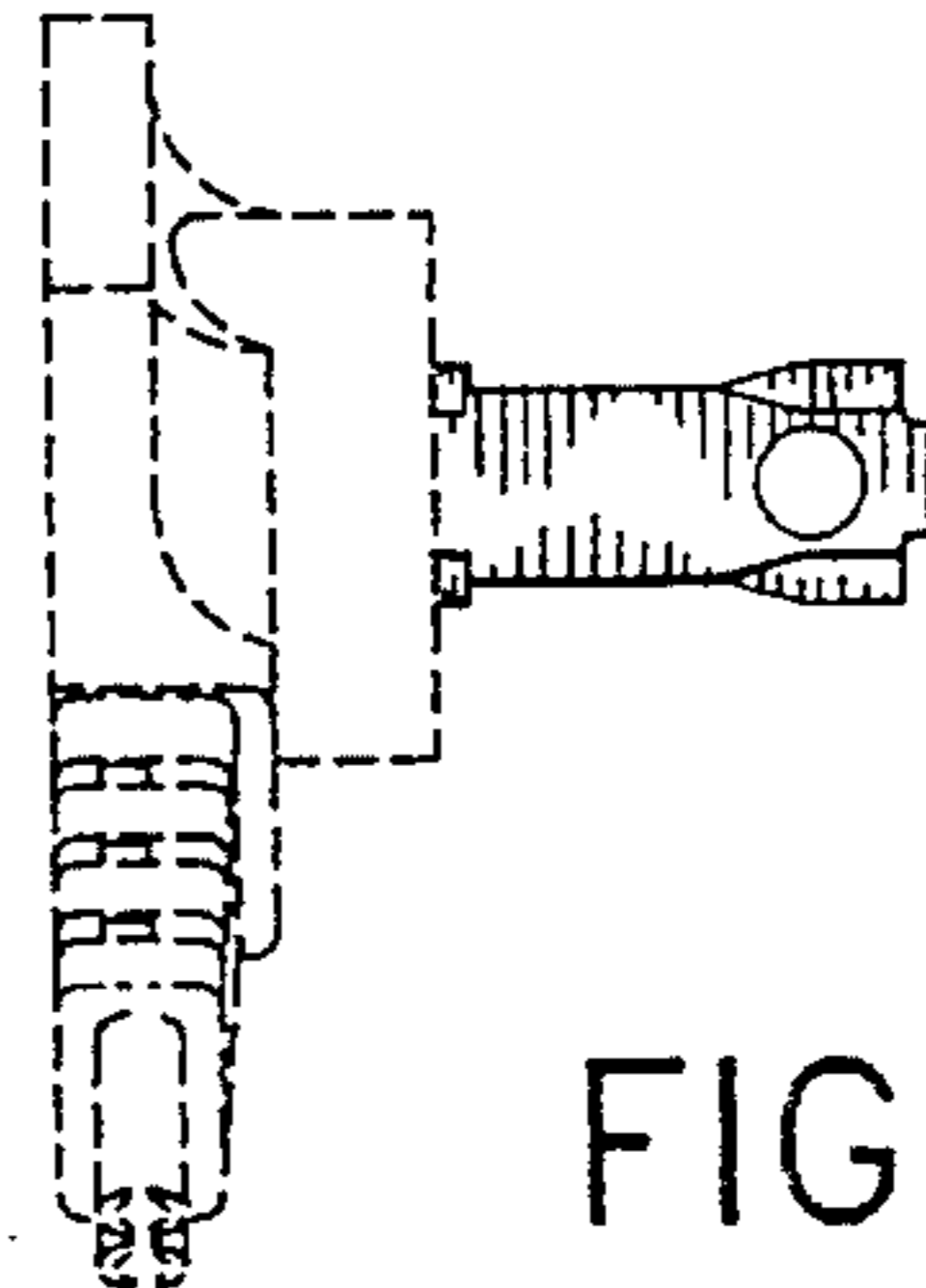


FIG. 6