



US00D363461S

# United States Patent [19]

Duckman et al.

[11] Patent Number: **Des. 363,461**

[45] Date of Patent: **\*\*Oct. 24, 1995**

[54] **RETRACTABLE MODEM CABLE & CASE**

[76] Inventors: **Kenneth M. Duckman**, 227 W. Beech St., Long Beach, N.Y. 11561; **James E. Stephenson**, 1002 Summers Dr., Missouri City, Tex. 77489

[\*\*] Term: **14 Years**

[21] Appl. No.: **15,368**

[22] Filed: **Nov. 13, 1993**

[52] U.S. Cl. .... **D13/140**

[58] Field of Search ..... D13/140; D8/358; D10/72; 439/4, 501; 191/12.2, 12.4; 242/107 R, 107.1, 107.7, 107.11

## [56] References Cited

### U.S. PATENT DOCUMENTS

D. 311,874	11/1990	Ingram, II et al. ....	D10/72
D. 319,347	8/1991	Van Lanningham, Jr. et al. .	D10/72 X
812,149	2/1906	McLean .....	D10/72 X
914,772	3/1909	Williamson .....	191/12.4 X
1,027,634	5/1912	Williamson .....	191/12.4 X
2,727,701	12/1955	Zelnick .....	D10/72 X
3,705,962	12/1972	Banister .....	191/124
3,773,987	11/1973	Davis et al. ....	191/12.4
4,384,688	5/1983	Smith .....	242/107.7
4,646,987	3/1987	Peterson .....	242/107.11
4,946,010	8/1990	Di Bono .....	D13/140 X

4,989,805	2/1991	Burke .....	242/107.1
5,094,396	3/1992	Burke .....	242/107.1
5,114,091	5/1992	Peterson et al. ....	242/107.11
5,230,481	7/1993	Wheeler et al. ....	242/107.1
5,241,593	8/1993	Wagner .....	439/501 X

### OTHER PUBLICATIONS

*Hardware Age* advertisement for Art White convex rulers, Feb. 1, 1969.

*Primary Examiner*—Joel Sincavage  
*Attorney, Agent, or Firm*—Guy McClung

### [57] CLAIM

The ornamental design for a retractable modem cable & case, as shown and described.

### DESCRIPTION

FIG. 1 is a front and right side perspective view of a retractable modem cable and case showing our new design with one end of the cable partially extended; FIG. 2 is a right side elevational view thereof; FIG. 3 is a rear elevational view thereof shown with the both ends of the cable fully retracted; and, FIG. 4 is a rear and right side perspective view thereof shown with the both ends of the cable partially extended. The left side and bottom are plane.

**1 Claim, 1 Drawing Sheet**

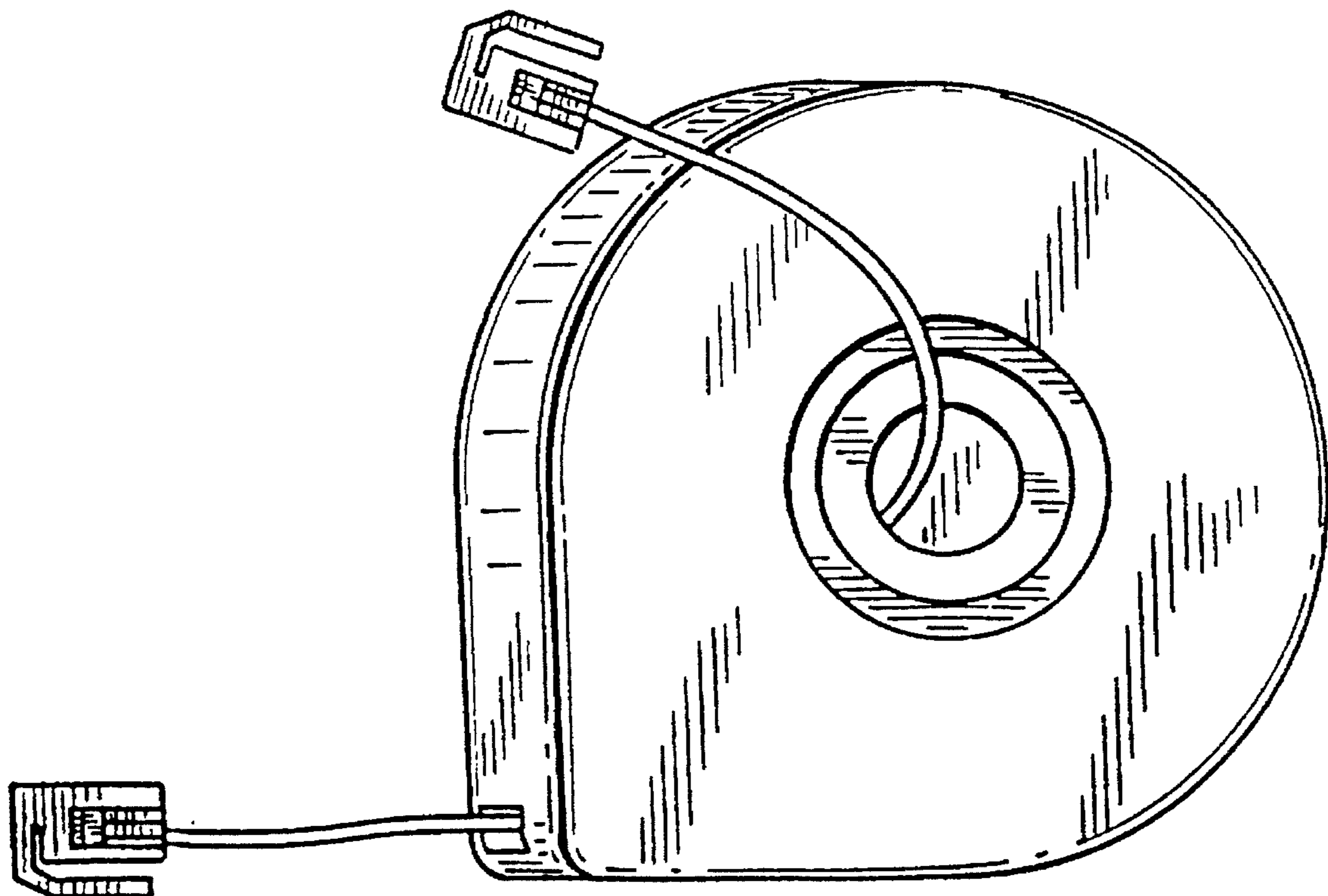


FIG. 1

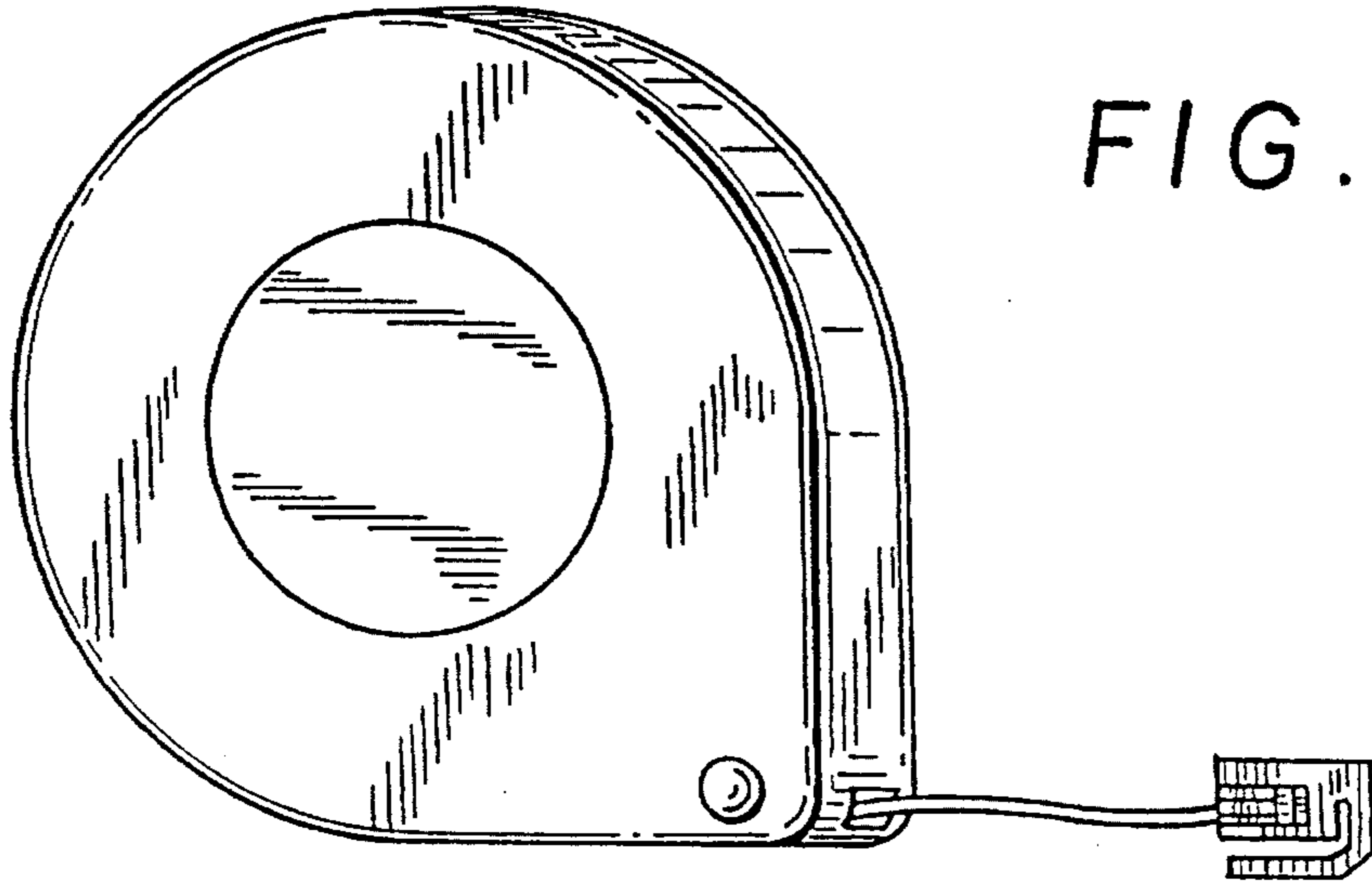


FIG. 2

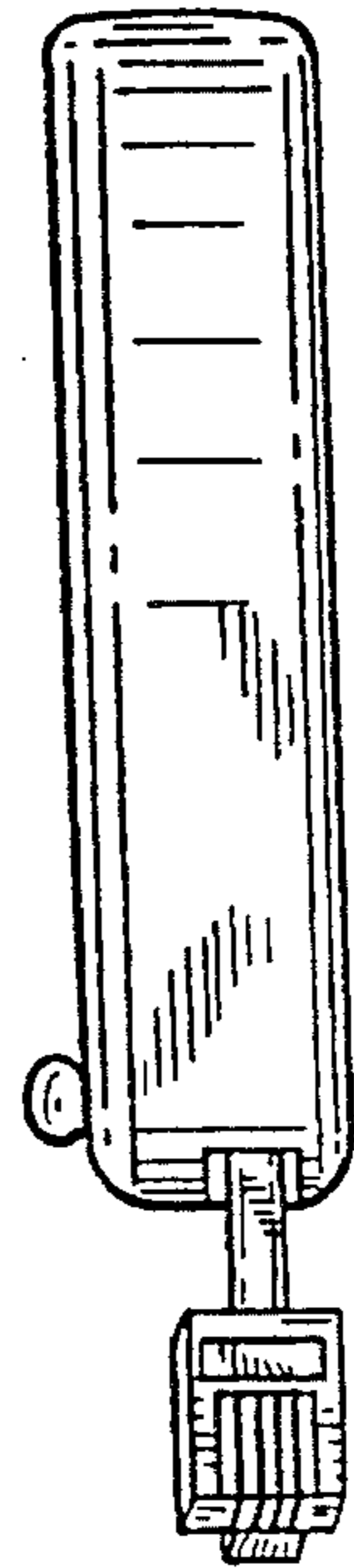


FIG. 3

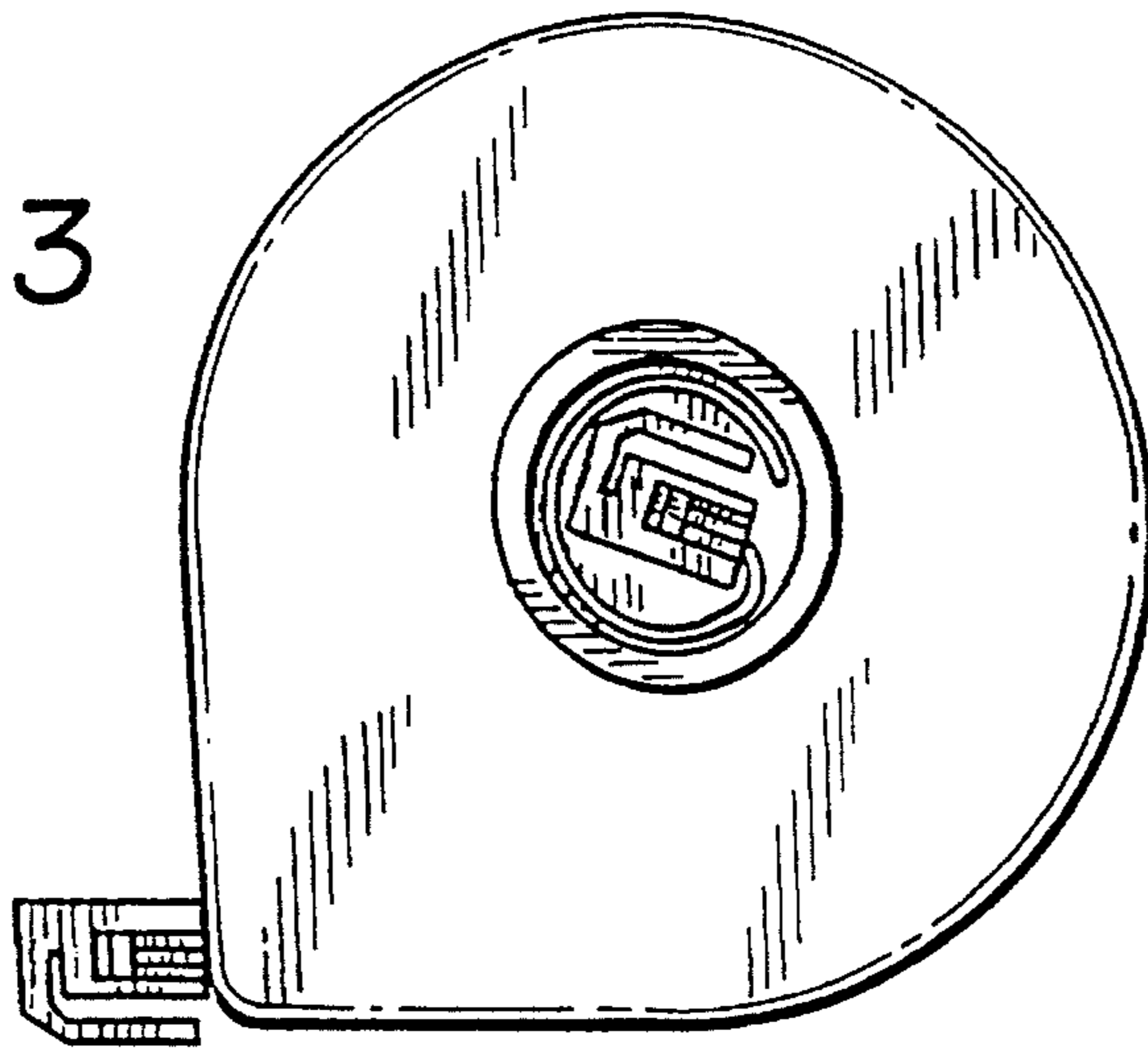


FIG. 4

