



US00D363457S

**United States Patent** [19]  
**Coddington**

[11] **Patent Number: Des. 363,457**

[45] **Date of Patent: \*\*Oct. 24, 1995**

[54] **VEHICLE WHEEL FRONT FACE**

D. 339,316 9/1993 Chung ..... D12/209  
D. 339,317 9/1993 Chung ..... D12/209

[75] Inventor: **Boyd Coddington**, Stanton, Calif.

**OTHER PUBLICATIONS**

[73] Assignee: **American Racing Equipment, Inc.**,  
Rancho Dominguez, Calif.

1989 Tread Design Guide, p. 86, Enkei Wheels.  
1989 Tread Design Guide, p. 87, Et Wheels.  
Custom Wheel and Tire Style Guide p. 55 1993 (F-8).  
Custom Wheel and Tire Style Guide p. 17 1993  
(Ar-24FWD).

[\*\*] Term: **14 Years**

[21] Appl. No.: **30,359**

*Primary Examiner*—A. Hugo Word  
*Assistant Examiner*—Marcus Jackson  
*Attorney, Agent, or Firm*—Thompson, Hine and Flory

[22] Filed: **Oct. 27, 1994**

[52] **U.S. Cl.** ..... **D12/701**

[58] **Field of Search** ..... D12/205, 209,  
D12/211, 213; 301/39.1, 64.1, 64.4, 65

[57] **CLAIM**

[56] **References Cited**

The ornamental design for a vehicle wheel front face, as shown and described.

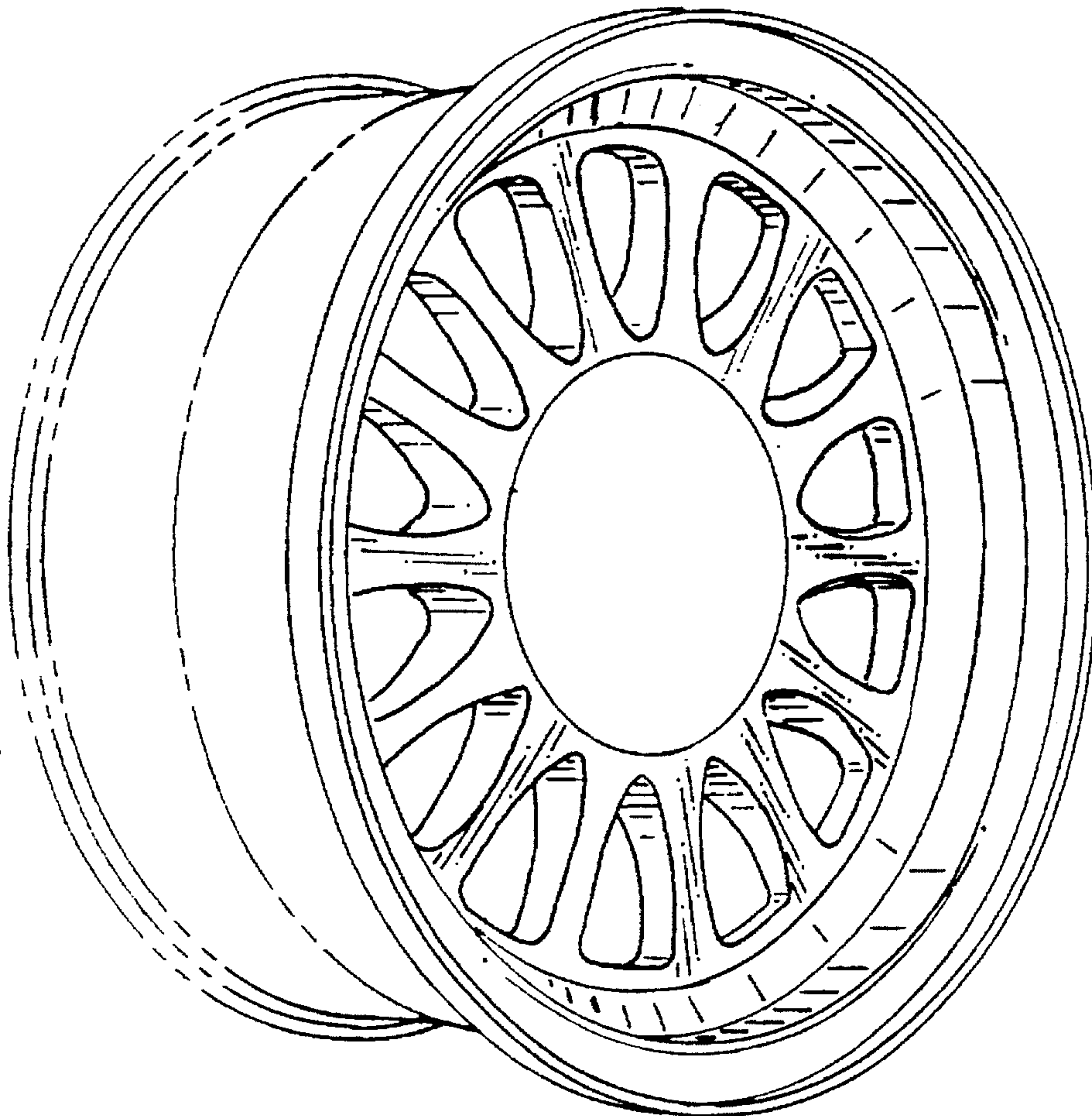
**U.S. PATENT DOCUMENTS**

**DESCRIPTION**

D. 176,544	1/1956	Lyon	.....	D14/30
D. 232,432	8/1974	Clary	.....	D12/209
D. 248,295	6/1978	Day et al.	.....	D12/206
D. 272,431	1/1984	Hedlund	.....	D12/211
D. 288,086	2/1987	Envall et al.	.....	D12/209
D. 292,568	11/1987	Cafaro et al.	.....	D12/209
D. 292,691	11/1987	Envall	.....	D12/206
D. 292,693	11/1987	Cattaneo	.....	D12/211
D. 300,422	3/1989	Schinella	.....	D12/209
D. 334,730	4/1993	Chung	.....	D12/209

FIG. 1 is a front perspective view of my new vehicle wheel front face; and,  
FIG. 2 is a front elevational view thereof.  
The broken lines shown in FIG. 1 of the drawings are for illustrative purposes only and the subject matter depicted thereby constitutes no part of the claimed design.

**1 Claim, 1 Drawing Sheet**



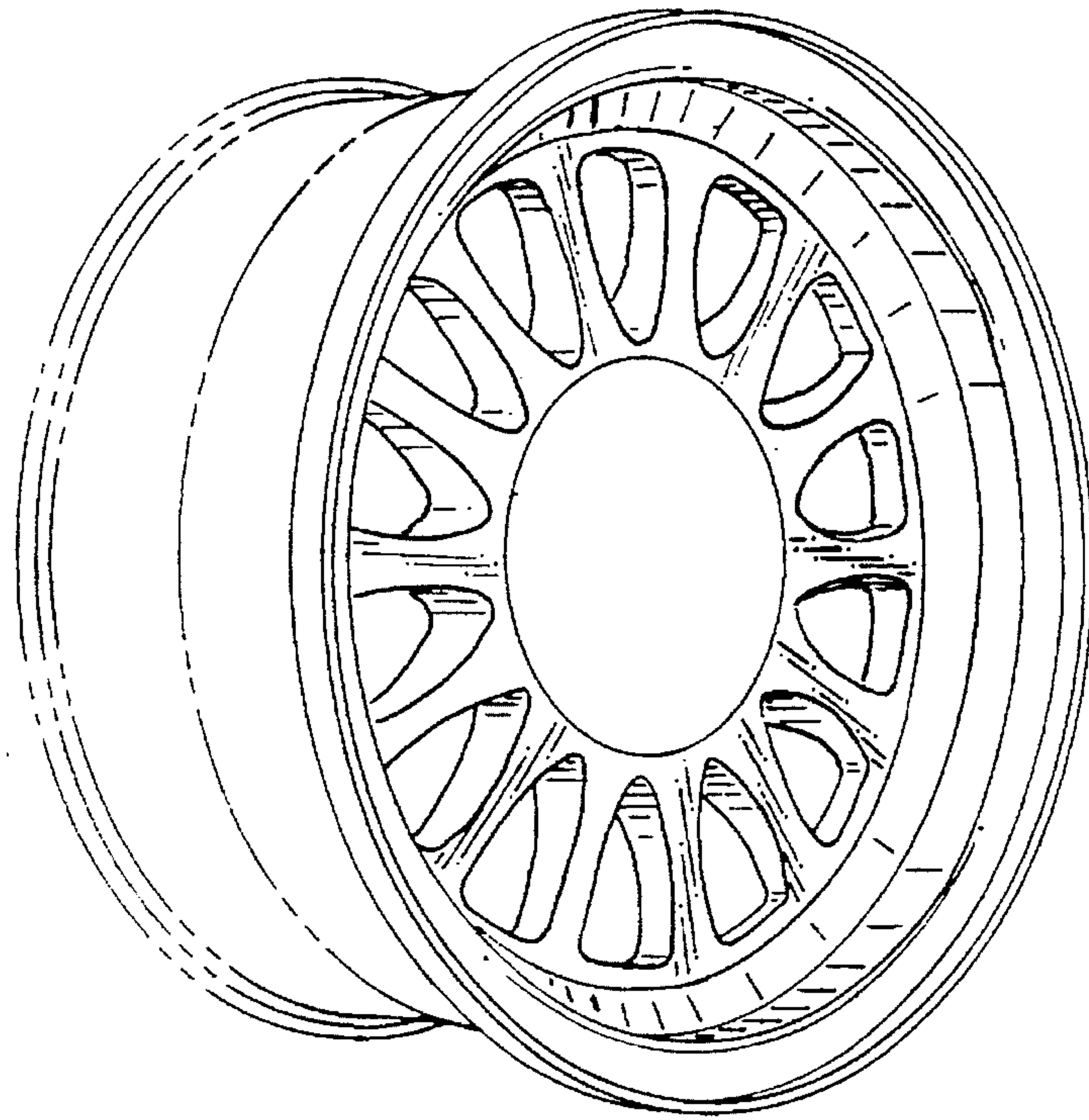


FIG. 1

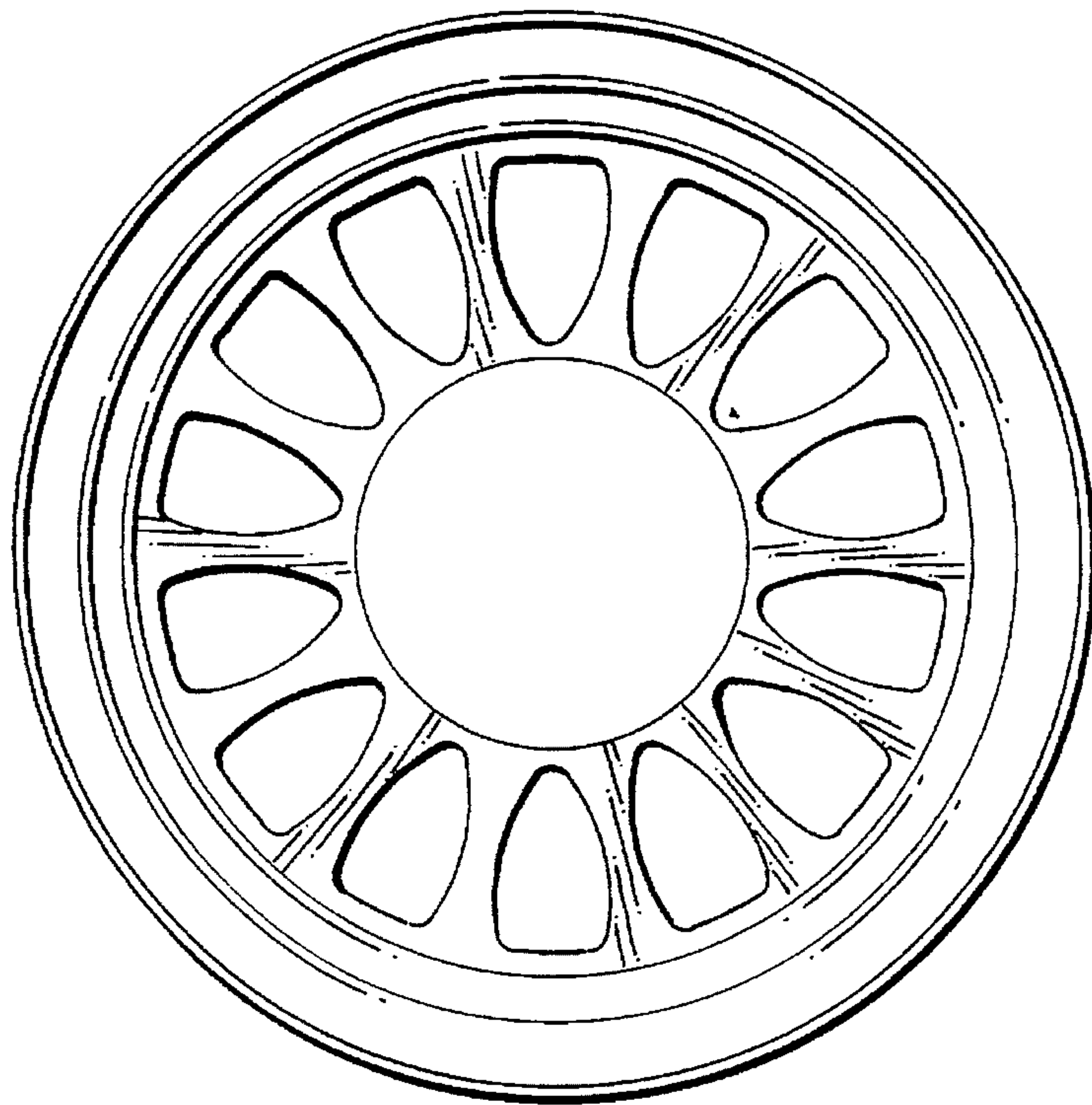


FIG. 2