



US00D363449S

# United States Patent [19]

[11] Patent Number: **Des. 363,449**

Weder et al.

[45] Date of Patent: **\*\*\* Oct. 24, 1995**

## [54] FLOWER POT COVER

[75] Inventors: **Donald E. Weder; Joseph G. Straeter**, both of Highland, Ill.

[73] Assignee: **Highland Supply Corporation**, Highland, Ill.

[\*] Notice: The portion of the term of this patent subsequent to Sep. 15, 2006 has been disclaimed.

[\*\*] Term: **14 Years**

[21] Appl. No.: **808,561**

[22] Filed: **Dec. 16, 1991**

### Related U.S. Application Data

[63] Continuation-in-part of Ser. No. 710,272, Jun. 4, 1991, which is a continuation-in-part of Ser. No. 617,454, Nov. 21, 1990, abandoned, which is a continuation-in-part of Ser. No. 411,249, Sep. 22, 1989, which is a continuation-in-part of Ser. No. 411,247, Sep. 22, 1989, which is a continuation-in-part of Ser. No. 411,245, Sep. 22, 1989.

[52] U.S. Cl. .... **D11/164; D11/143**

[58] Field of Search ..... D11/143, 152, D11/153, 154, 155, 156, 164; 47/66, 72; 206/423; 215/100.5; 229/1.5 B, 4.5, 922; 248/27.8, 35.1, 542.6

### [56] References Cited

#### U.S. PATENT DOCUMENTS

D. 47,800	9/1915	Pick .	
D. 132,559	5/1942	Sawyer .....	D11/153
209,788	11/1878	Affel .	
D. 254,659	4/1980	Karotseris .....	D11/143

(List continued on next page.)

#### FOREIGN PATENT DOCUMENTS

103316	3/1938	Australia .....	229/922
560532	4/1975	Switzerland .	

## OTHER PUBLICATIONS

Exhibit A—Speed Cover® Brochure—The Simple Solution . . . , © 1989.

Exhibit A. Curtis Wagner Co., Inc., Houston, Tex., shows thick, stiff shiny red plastic pot cover with large scalloped border. (Photograph) Date unknown.

(List continued on next page.)

*Primary Examiner*—Martie Thompson  
*Attorney, Agent, or Firm*—Dunlap & Codding

## [57] CLAIM

The ornamental design for a flower pot cover, as shown and described.

## DESCRIPTION

FIG. 1 is a top perspective view of a flower pot cover showing our new design;

FIG. 2 is a top plan view thereof;

FIG. 3 is a top plan view of a second embodiment of our new design;

FIG. 4 is a side elevational view of FIG. 1;

FIG. 5 is a side elevational view of a third embodiment of our new design;

FIG. 6 is a side elevational view of a fourth embodiment of our new design;

FIG. 7 is a side elevational view of FIG. 3;

FIG. 8 is a side elevational view of a fifth embodiment of our new design;

FIG. 9 is a side elevational view of a sixth embodiment of our new design;

FIG. 10 is a side elevational view of a seventh embodiment of our new design;

FIG. 11 is a side elevational view of an eighth embodiment of our new design;

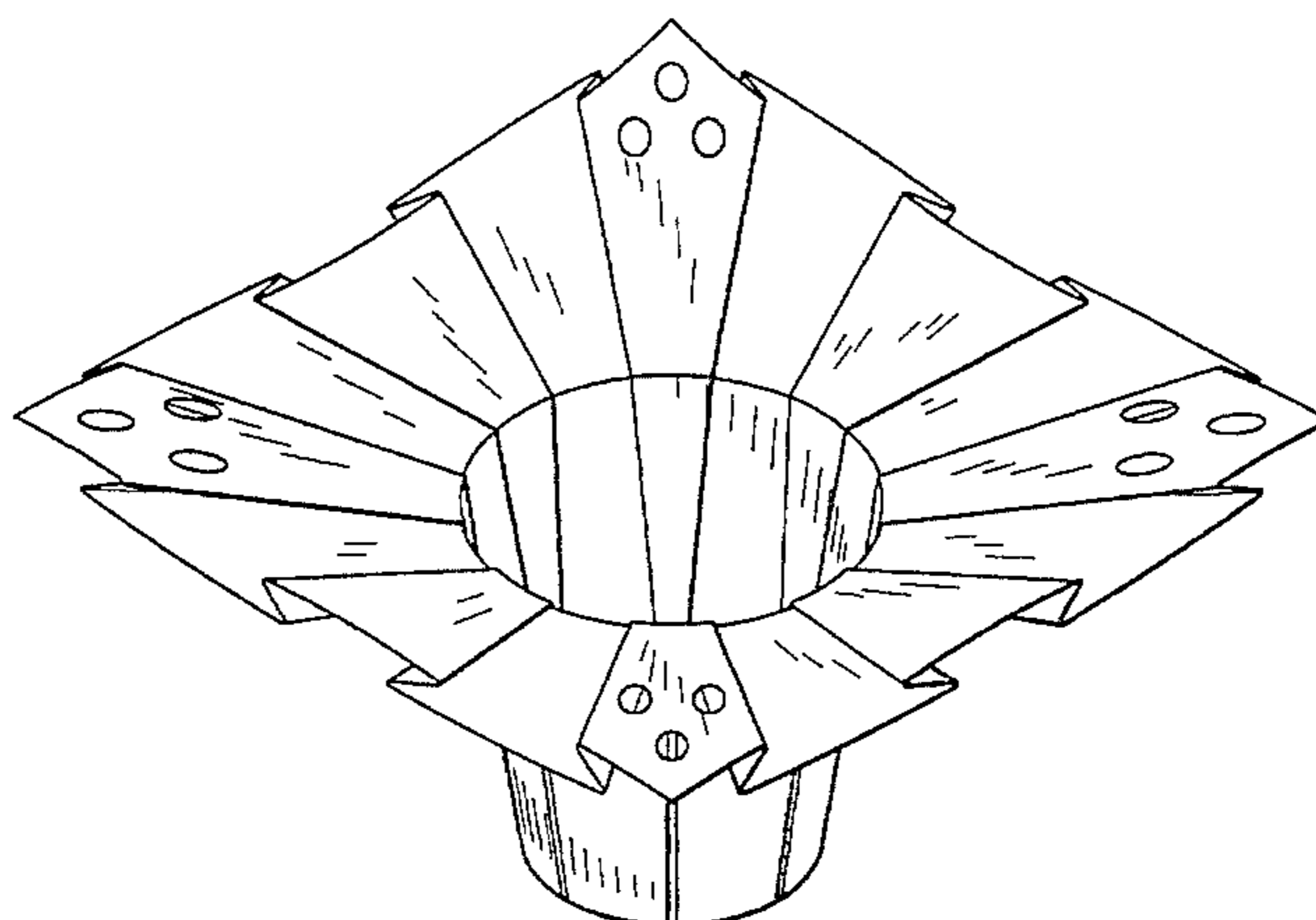
FIG. 12 is a side elevational view of FIG. 5, the only difference being the angle of the skirt; and,

FIG. 13 is a side elevational view of FIG. 5, the only difference being the angle of the skirt.

The flower pot cover has no substantial thickness.

The characteristic feature of the design resides in the specific pleating arrangement comprised of the parallel disposition of the exterior folds in combination with the interior V-shaped folds, all as best shown in FIG. 1.

**1 Claim, 3 Drawing Sheets**





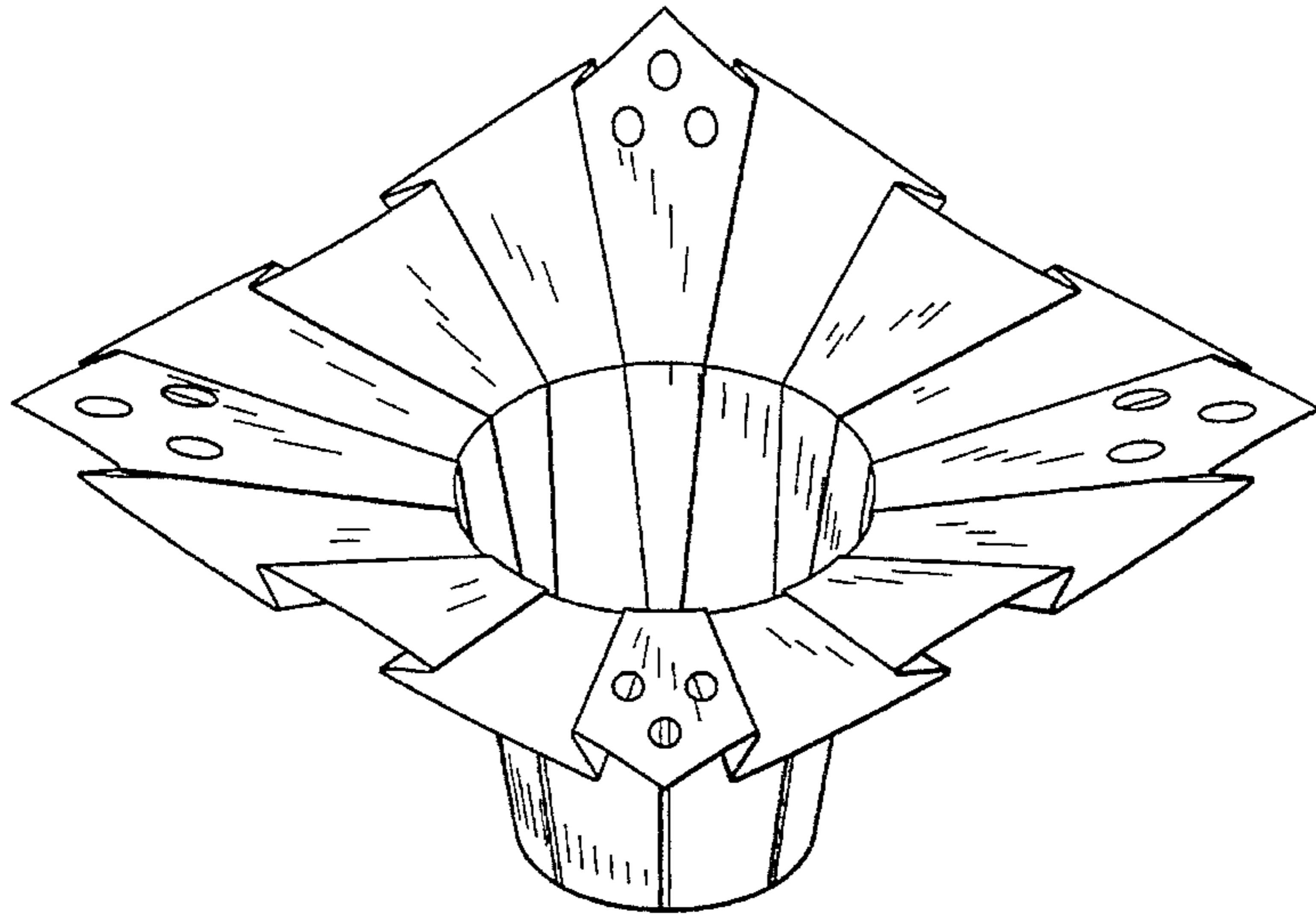


FIG. 1

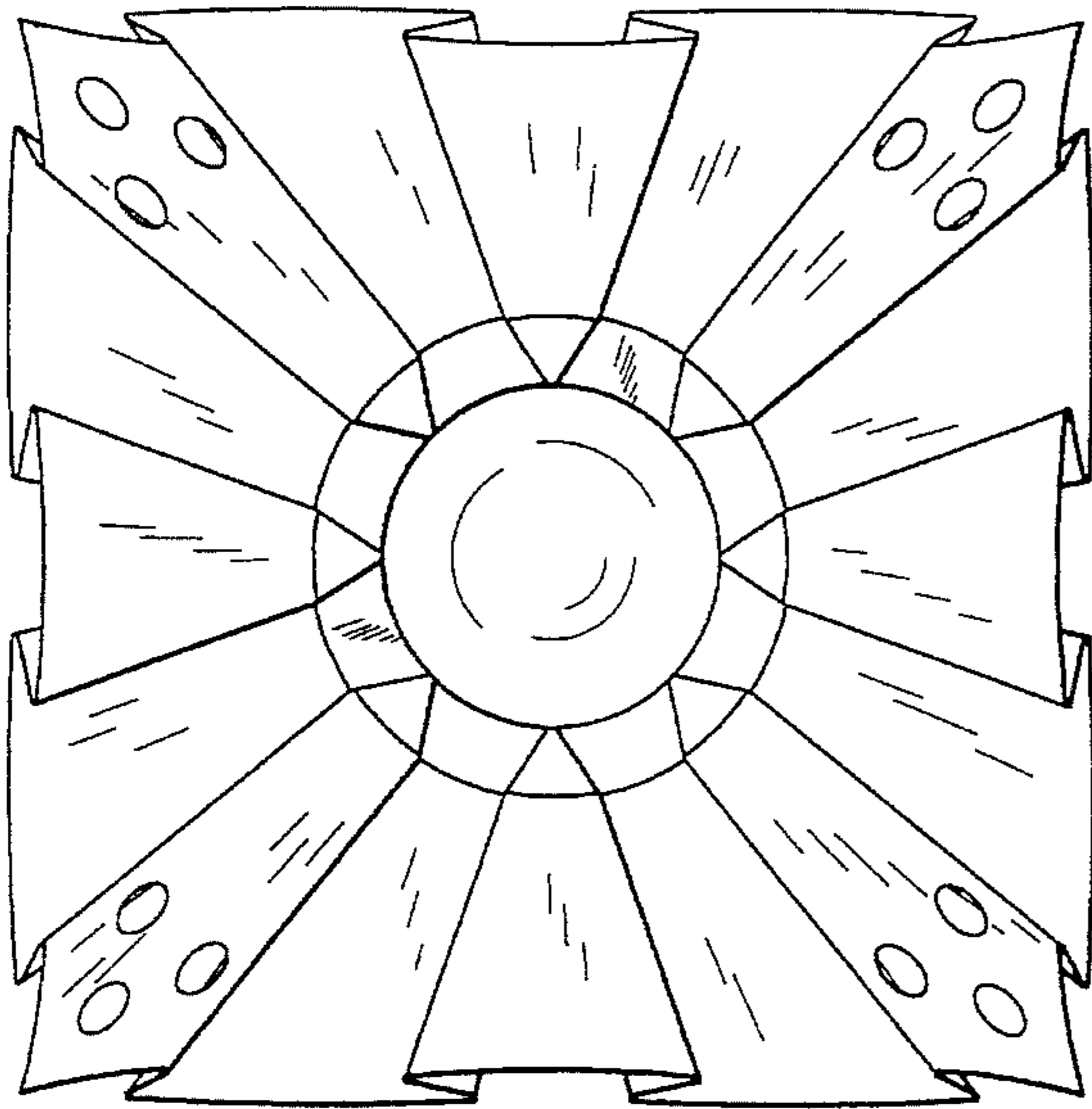


FIG. 2

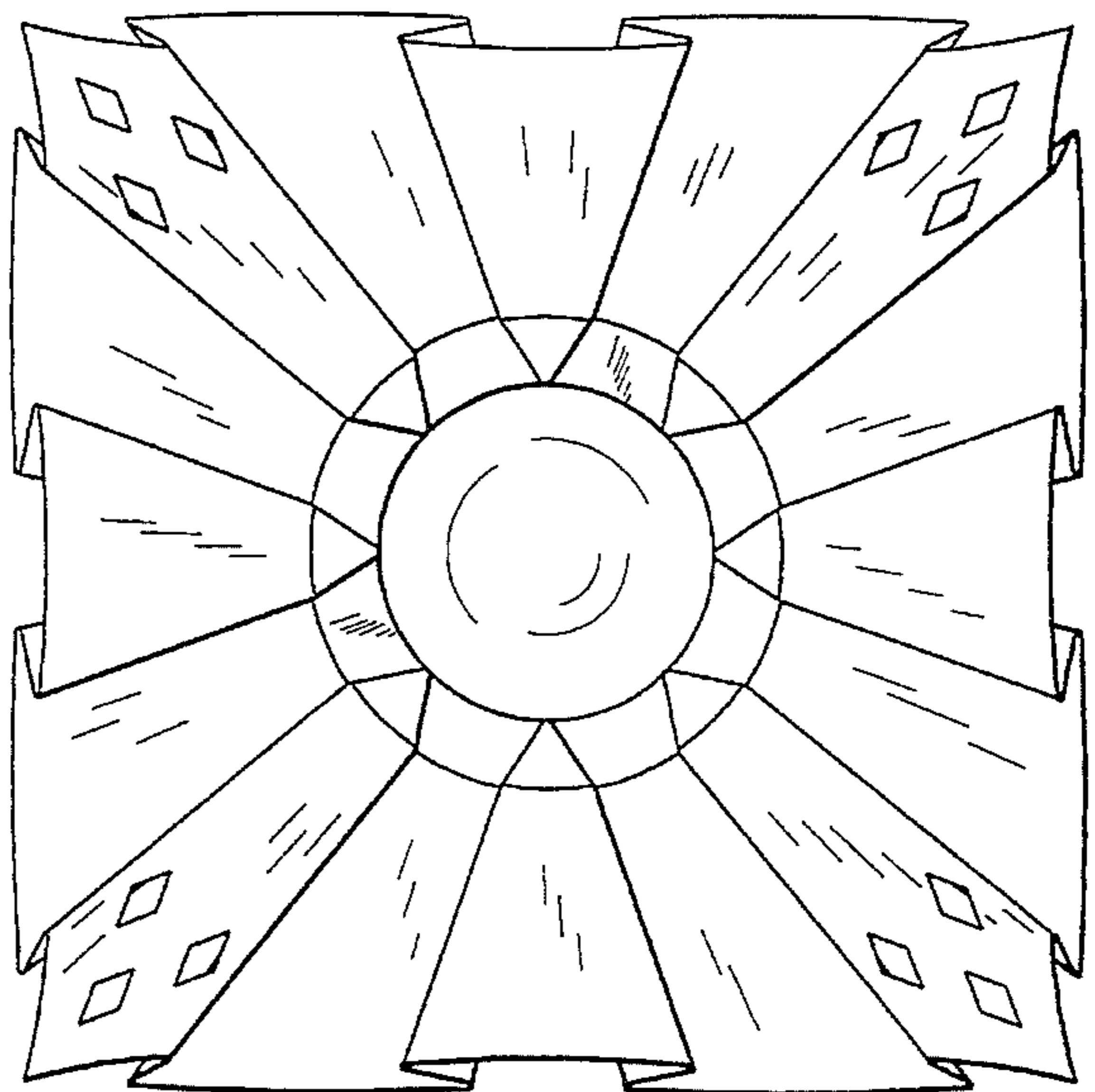


FIG. 3

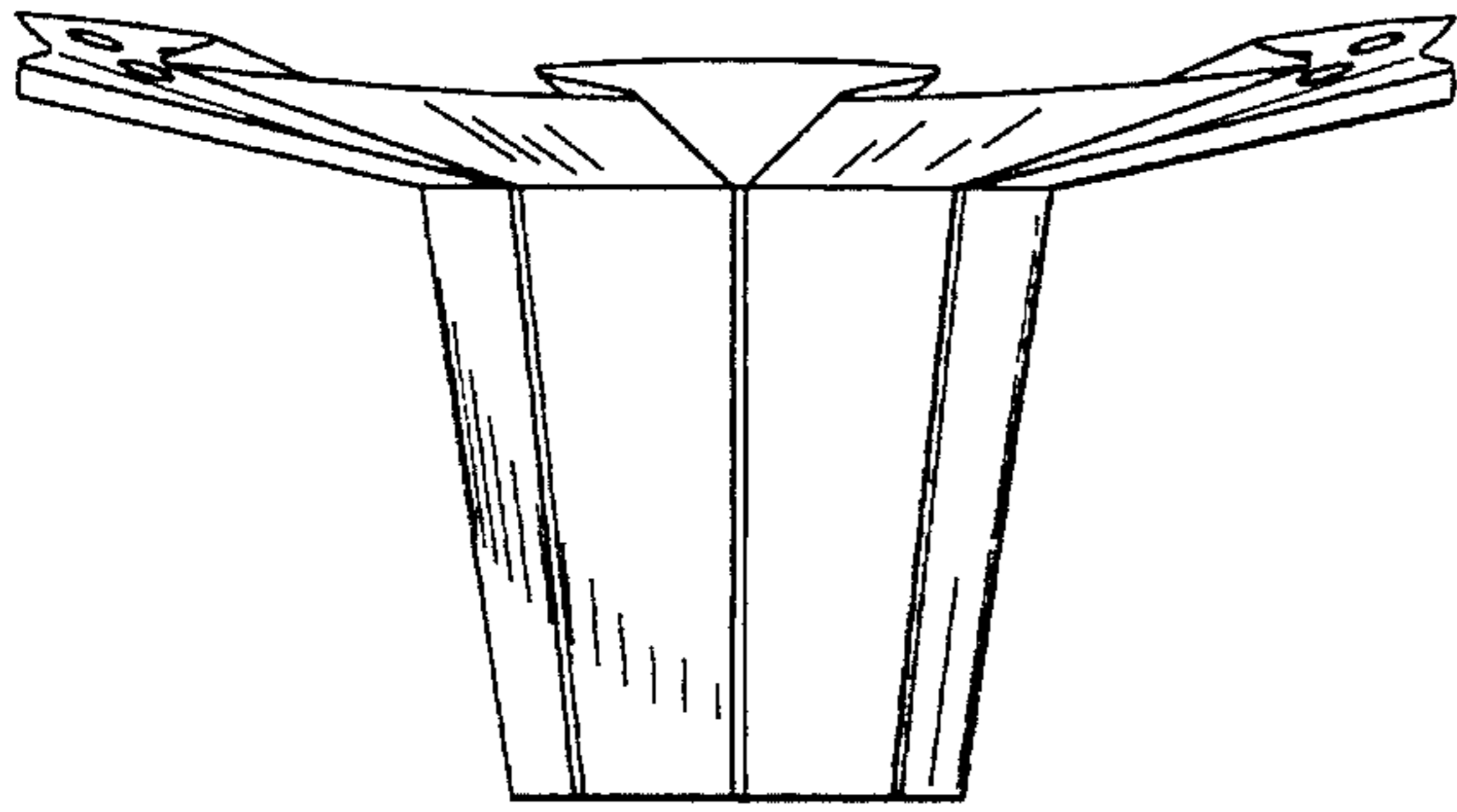


FIG. 4

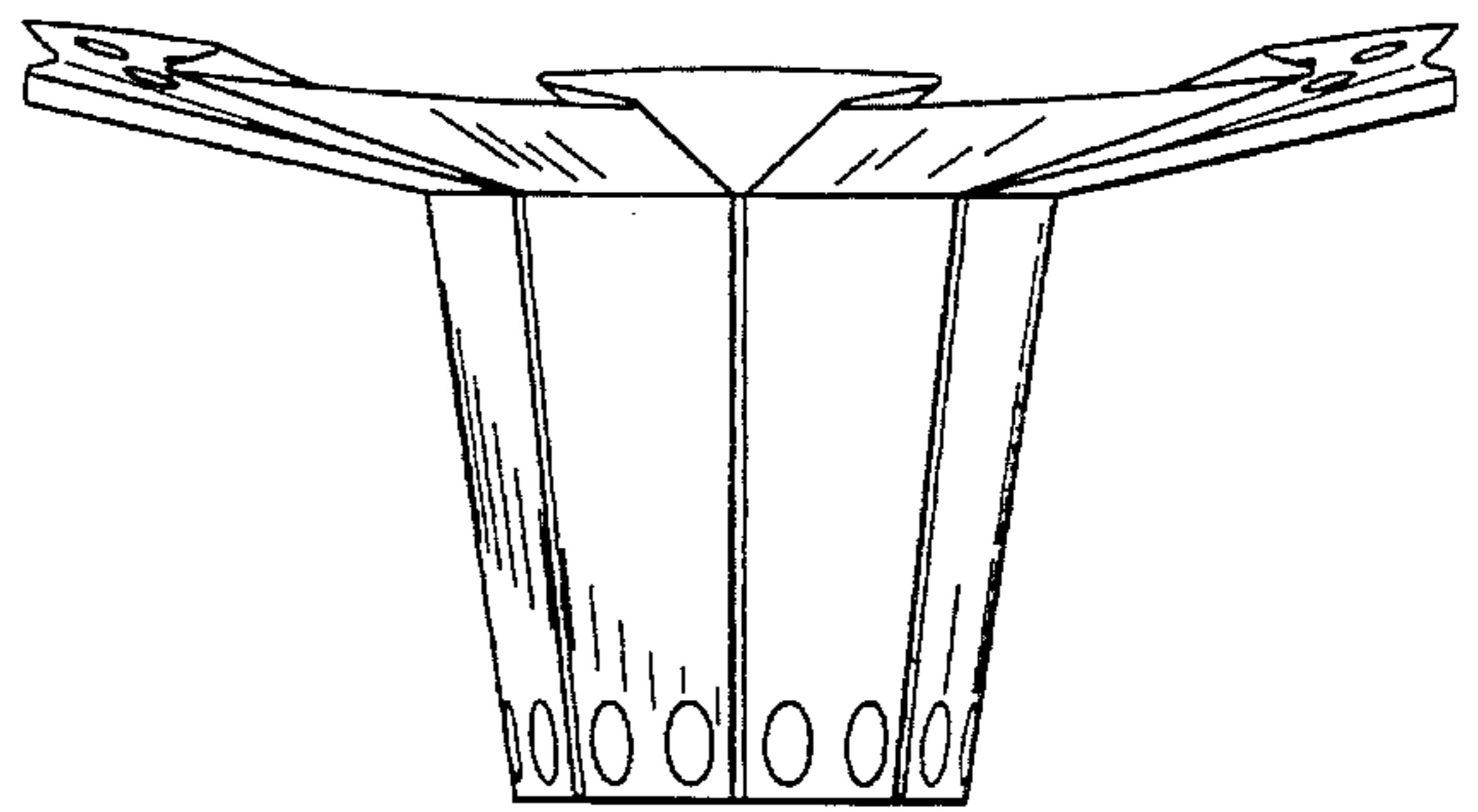


FIG. 5

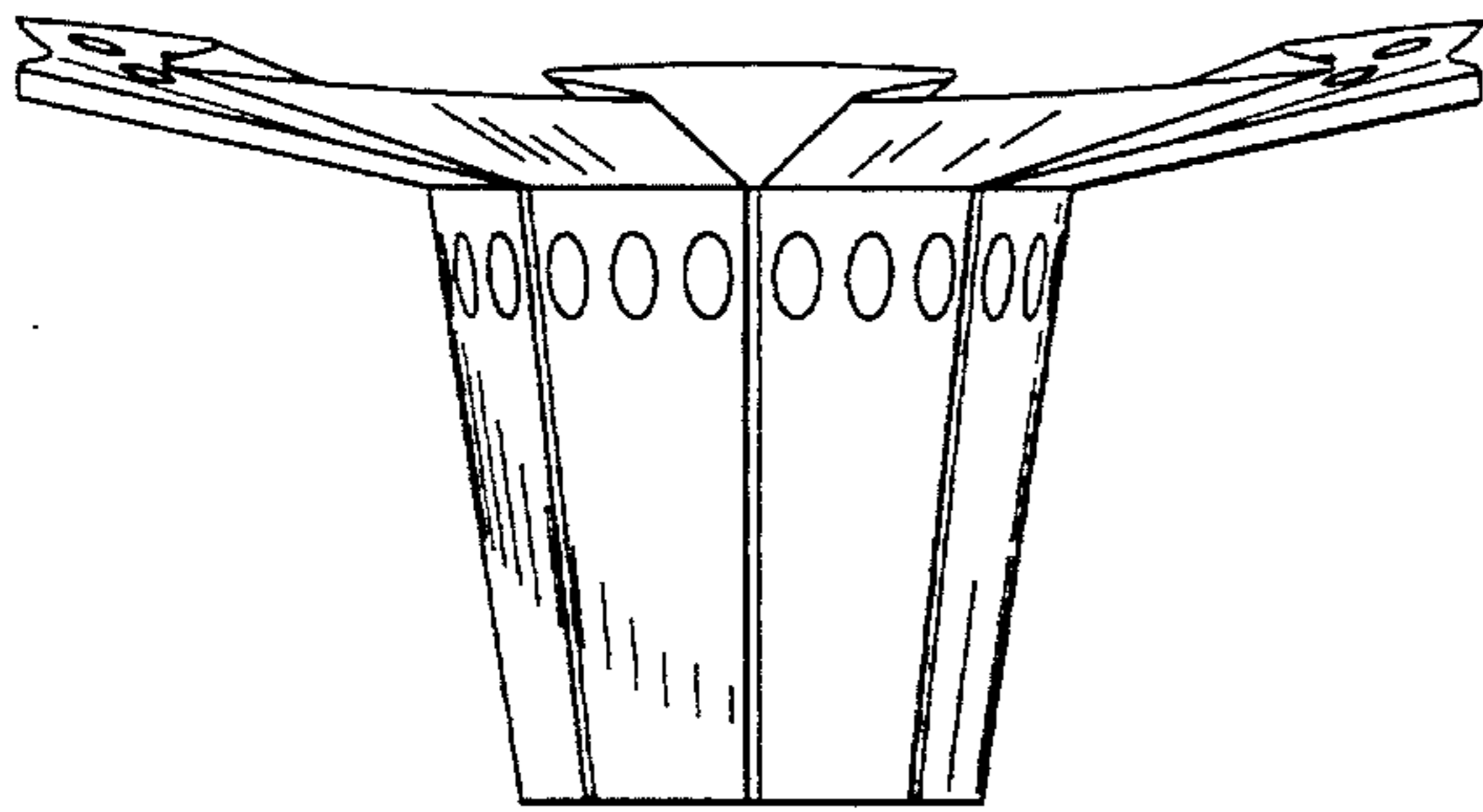


FIG. 6

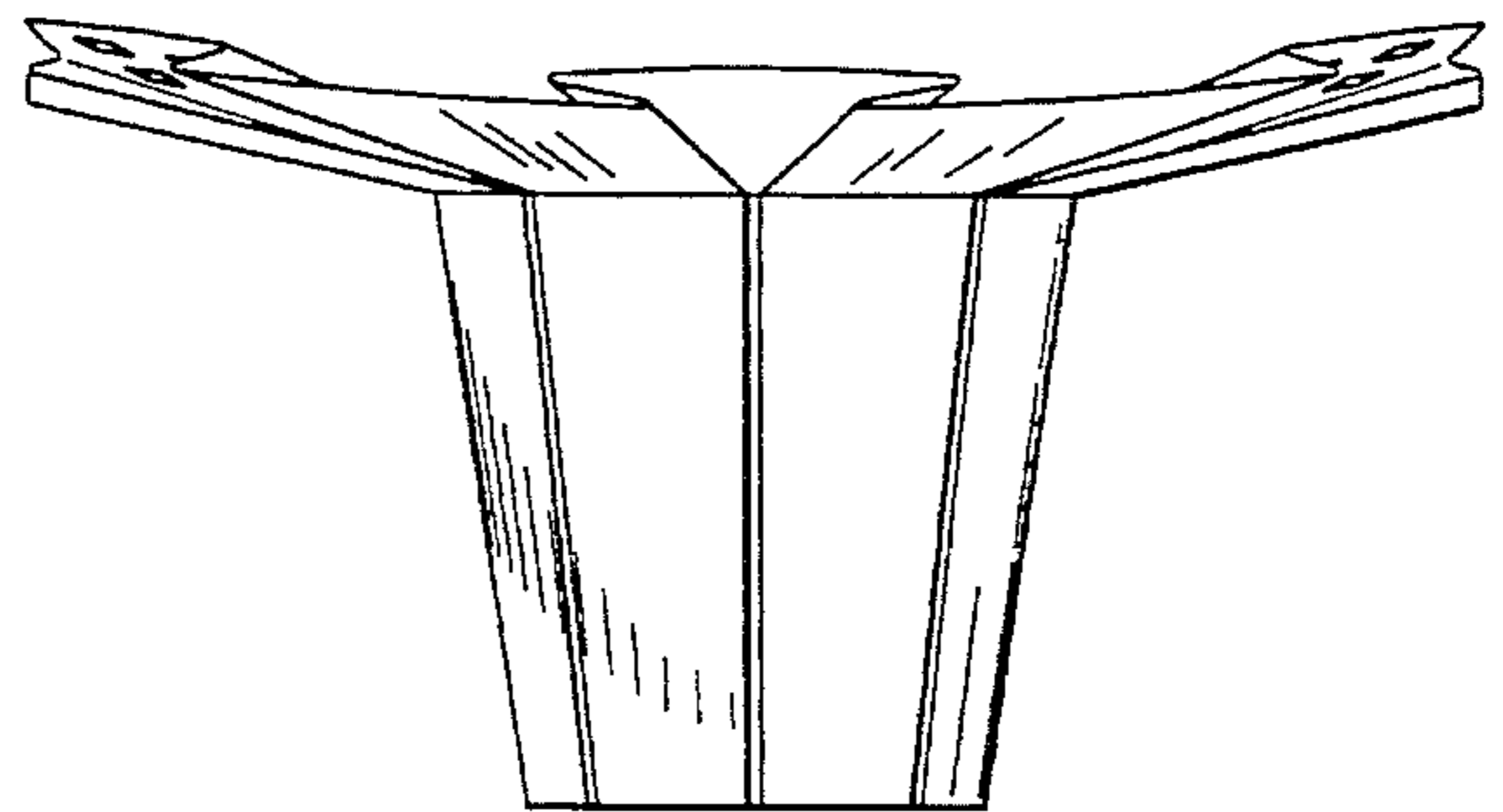


FIG. 7

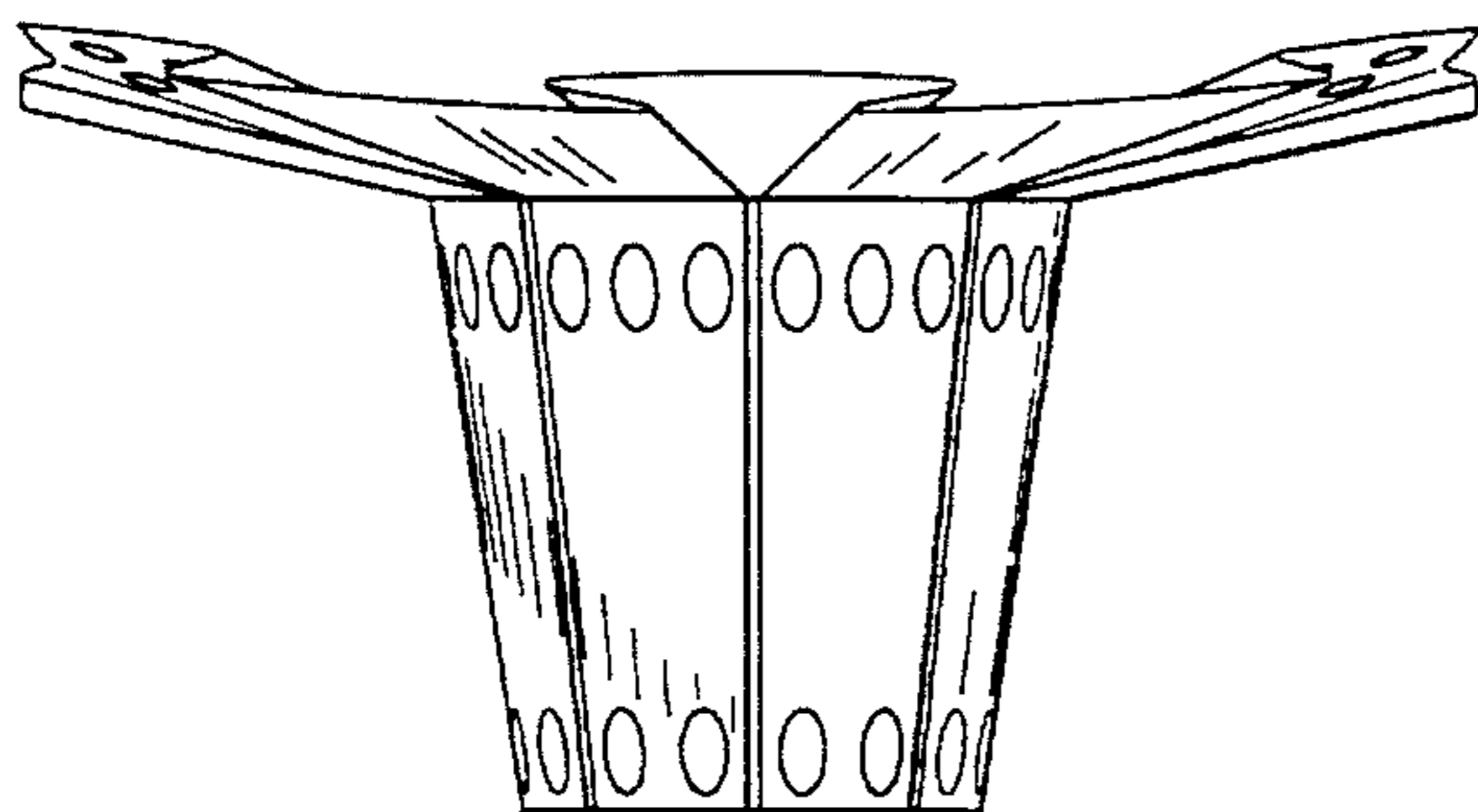


FIG. 8

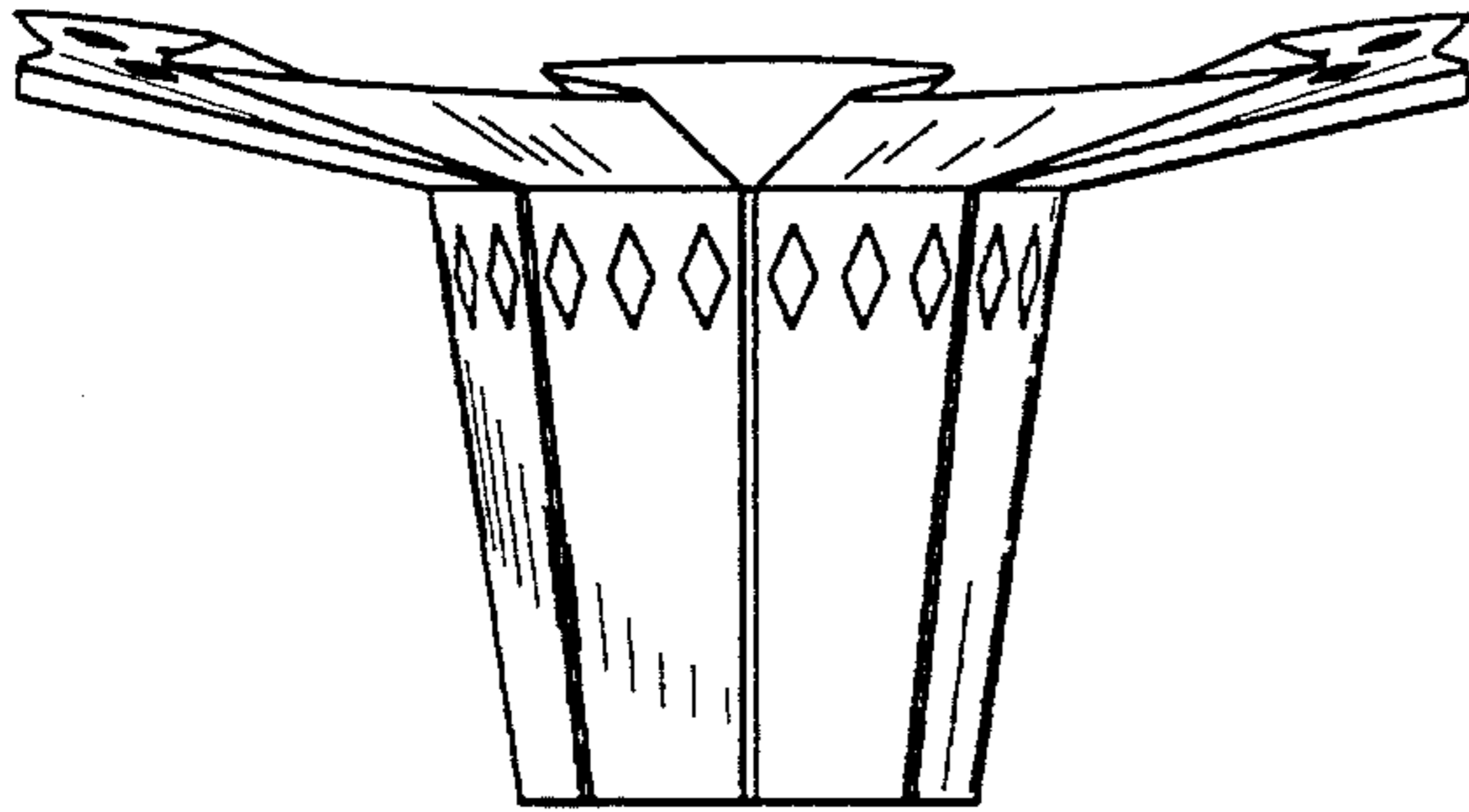


FIG. 9

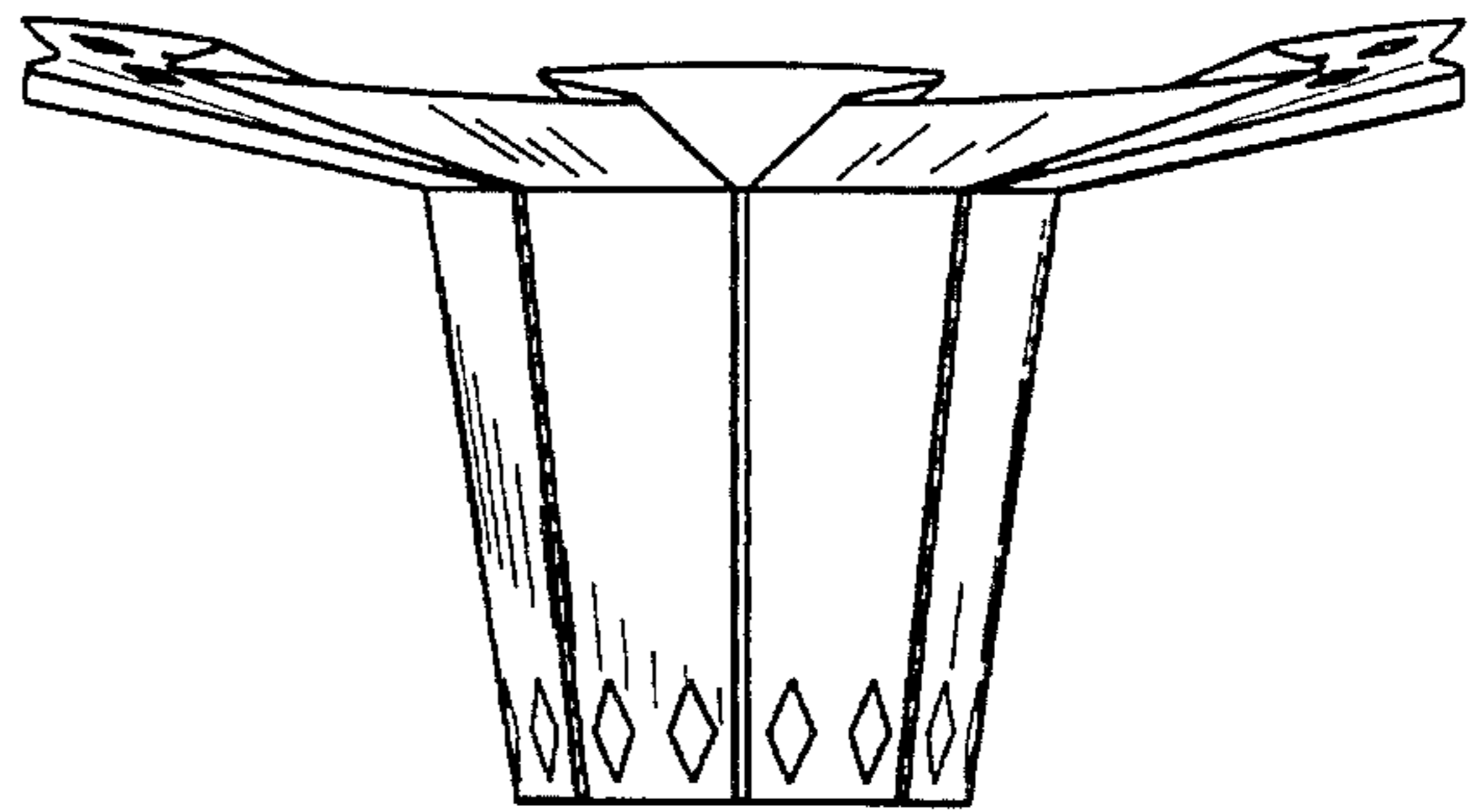


FIG. 10

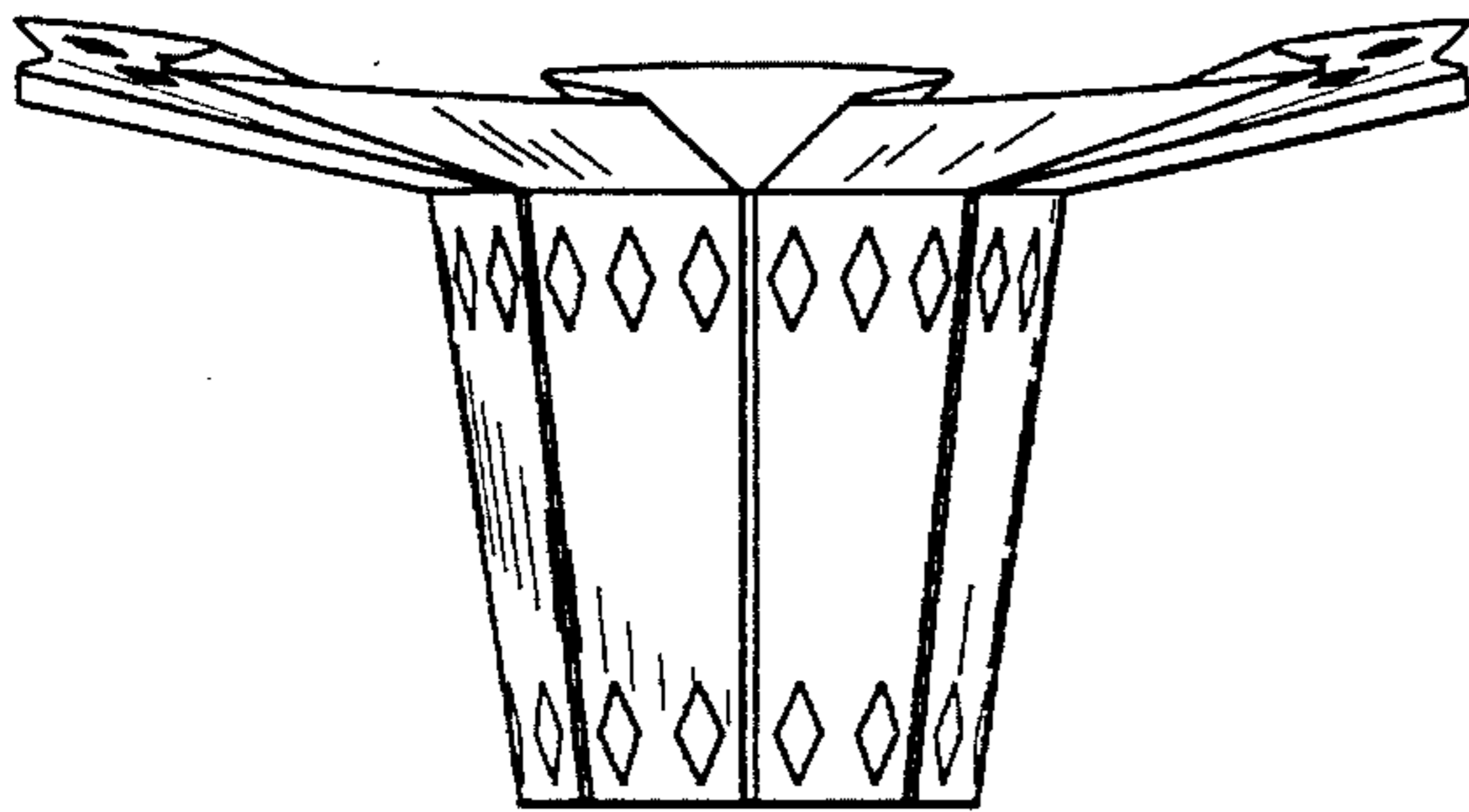


FIG. 11

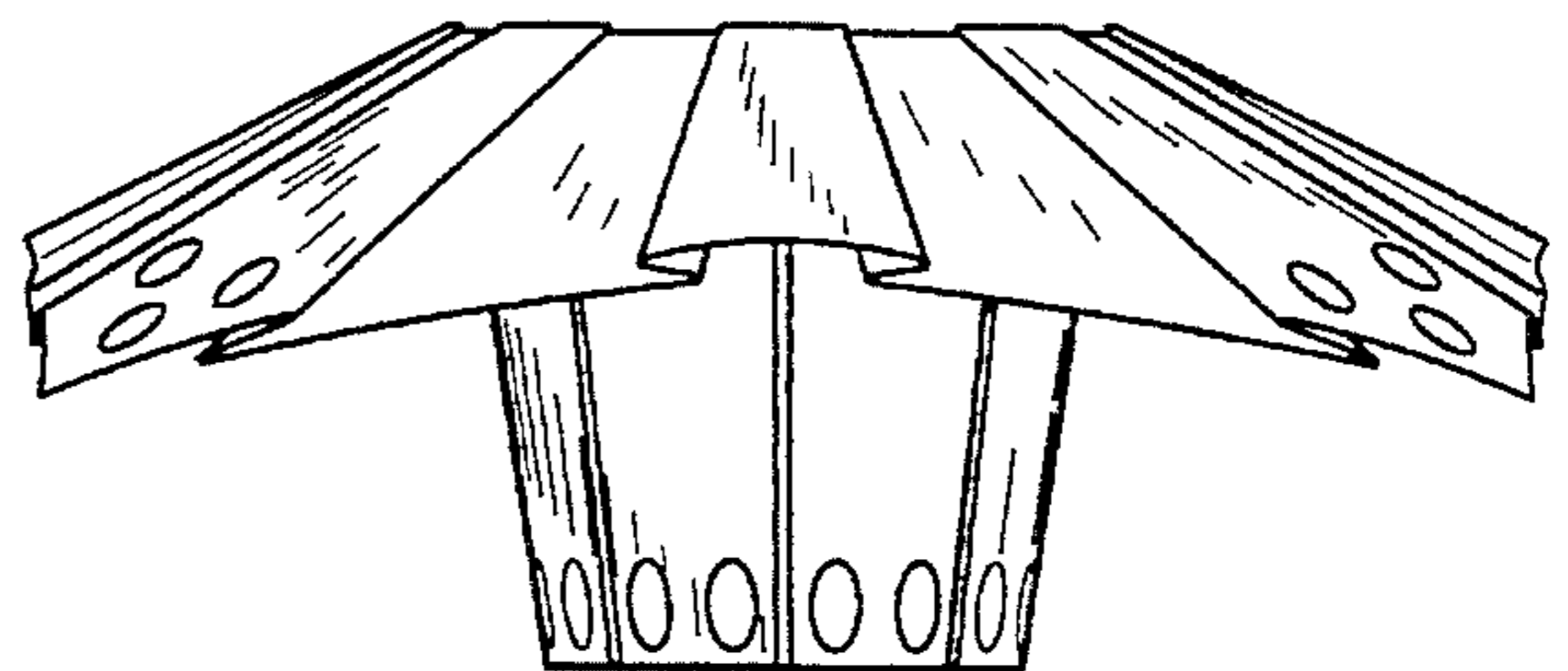


FIG. 12

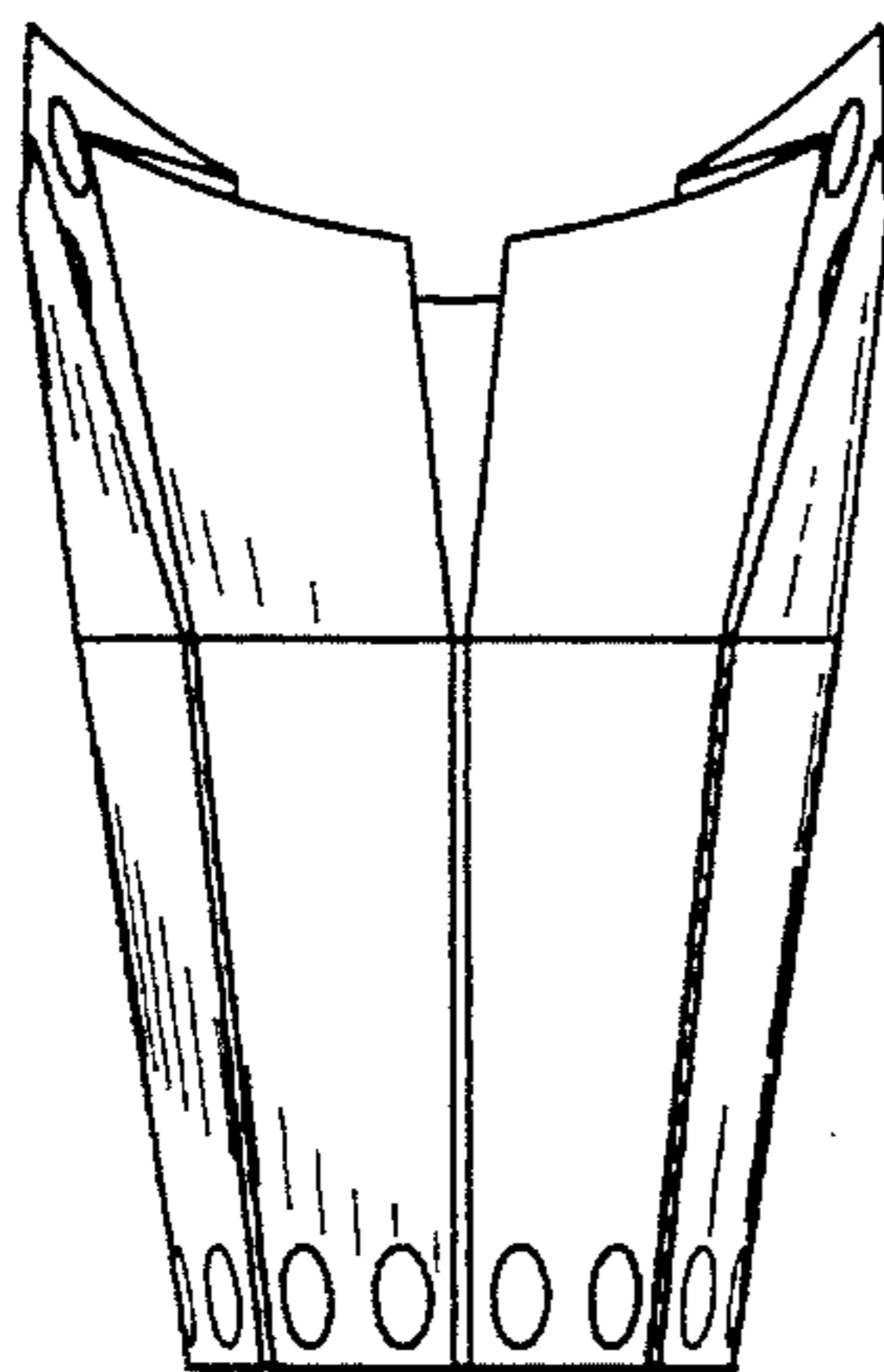


FIG. 13