



US00D363445S

United States Patent [19]

[11] Patent Number: **Des. 363,445**

Warner et al.

[45] Date of Patent: ****Oct. 24, 1995**

[54] OCEAN BUOY

[75] Inventors: **George O. Warner**, Mystic; **Richard L. Gilman**, Stonington, both of Conn.

[73] Assignee: **Gilman Corporation**, Gilman, Conn.

[**] Term: **14 Years**

[21] Appl. No.: **14,690**

[22] Filed: **Oct. 28, 1993**

[52] U.S. Cl. **D10/107**

[58] Field of Search D10/104, 107,
D10/109, 110, 121; 441/1, 2, 3, 6, 7, 12,
13, 16, 20, 32, 33

[56] **References Cited**

U.S. PATENT DOCUMENTS

D. 319,407	8/1991	Paulovitz et al.	D10/107
2,397,844	4/1946	Dewhurst	D10/107
3,093,808	6/1963	Jatnall et al.	441/33
4,590,590	5/1986	Joone et al.	441/33
5,020,032	5/1991	Dale et al.	441/33

FOREIGN PATENT DOCUMENTS

1207890	1/1986	United Kingdom	441/1
---------	--------	----------------------	-------

Primary Examiner—A. Hugo Word

Assistant Examiner—Marcus Jackson

Attorney, Agent, or Firm—McCormick, Paulding & Huber

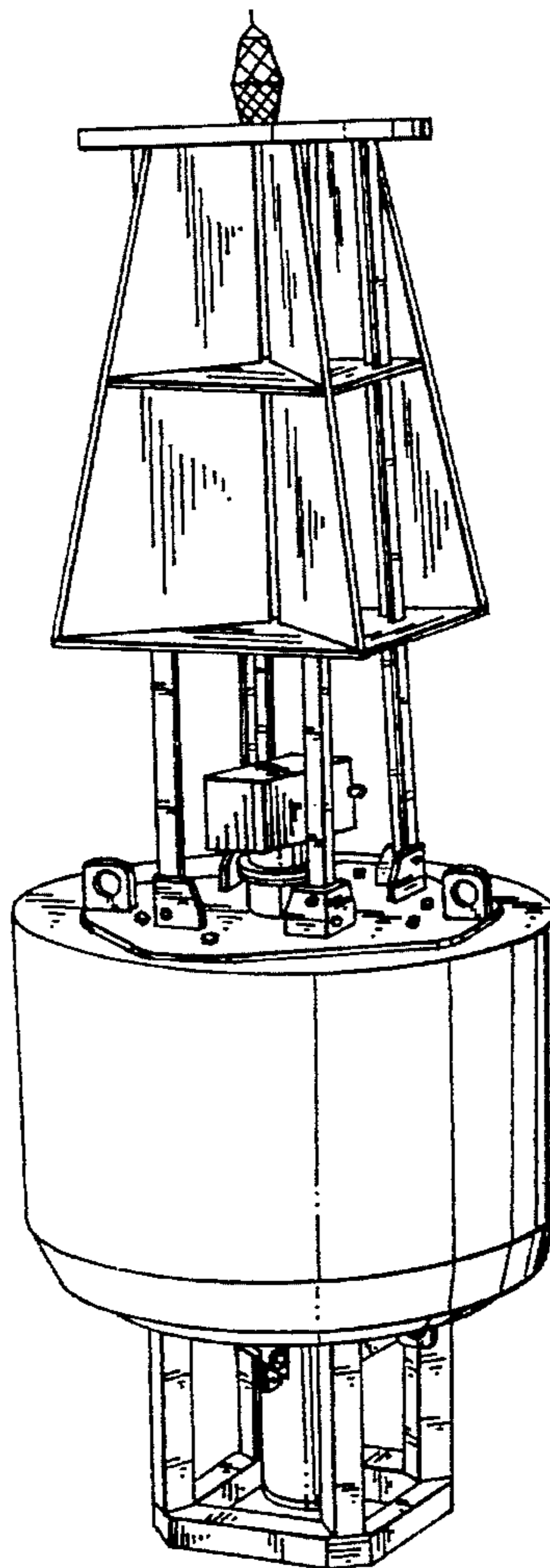
[57] **CLAIM**

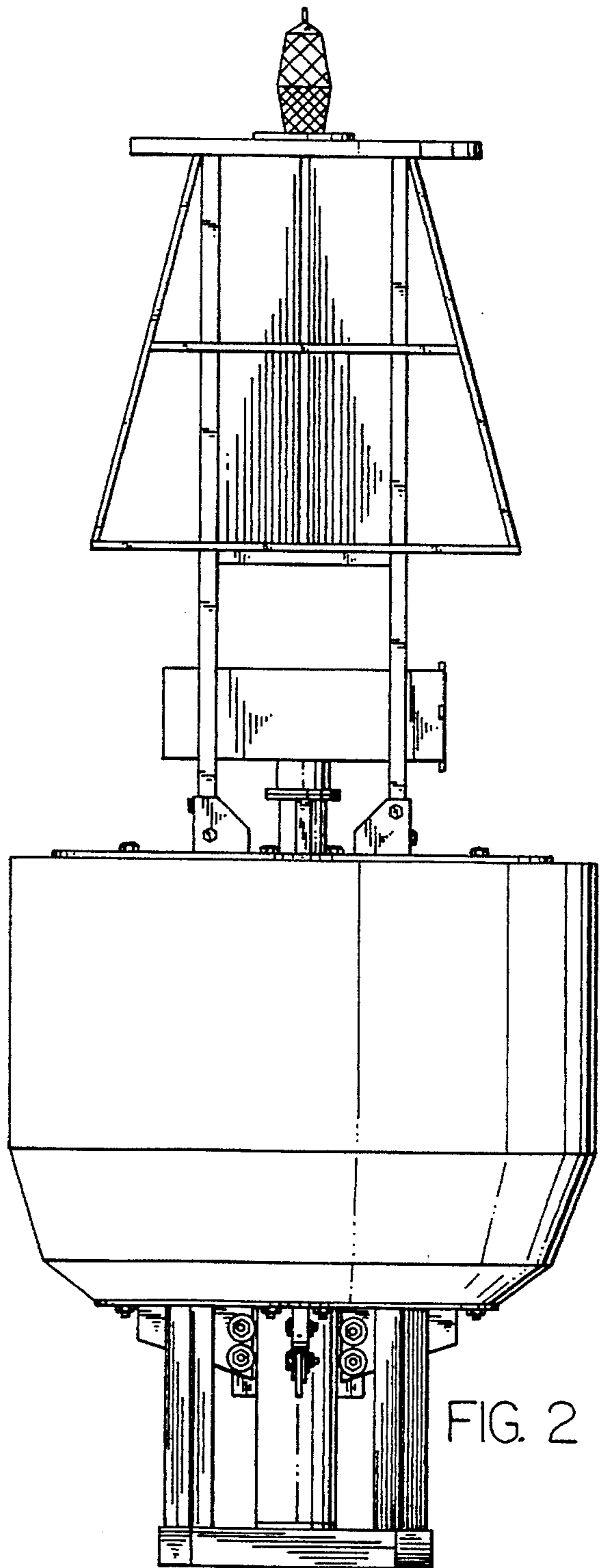
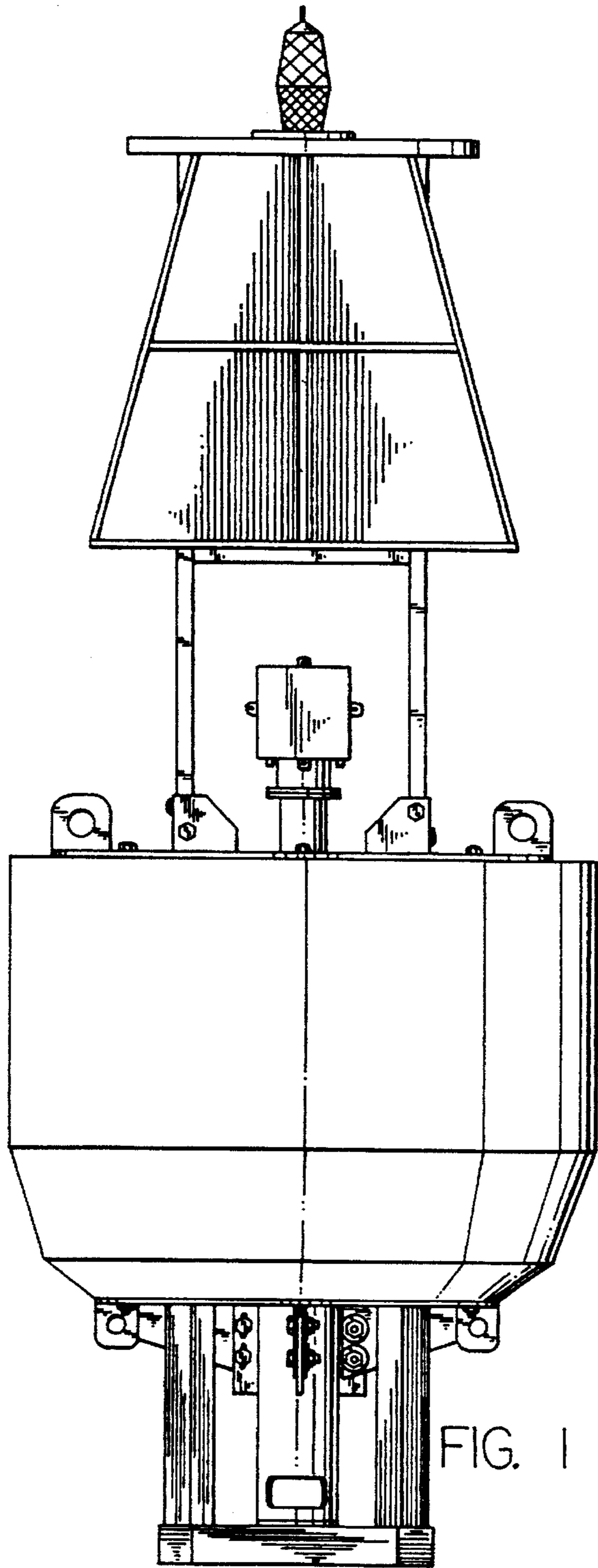
The ornamental design for a ocean buoy, as shown and described.

DESCRIPTION

FIG. 1 is a front elevational view of an ocean buoy showing my new design, with the rear being a mirror image;
 FIG. 2 is a side elevational view thereof, with the opposite side being a mirror image;
 FIG. 3 is a top plan view thereof;
 FIG. 4 is a bottom plan view thereof;
 FIG. 5 is a front elevational view of a second embodiment thereof with the rear being a mirror image;
 FIG. 6 is a side elevational view thereof, with the opposite side being a mirror image;
 FIG. 7 is a bottom plan view thereof;
 FIG. 8 is a reduced perspective view taken from slightly above and between the front and side elevational views of FIGS. 1 and 2 respectively; and,
 FIG. 9 is a reduced perspective view of the embodiment depicted in FIGS. 5, 6 and 7 thereof.

1 Claim, 4 Drawing Sheets





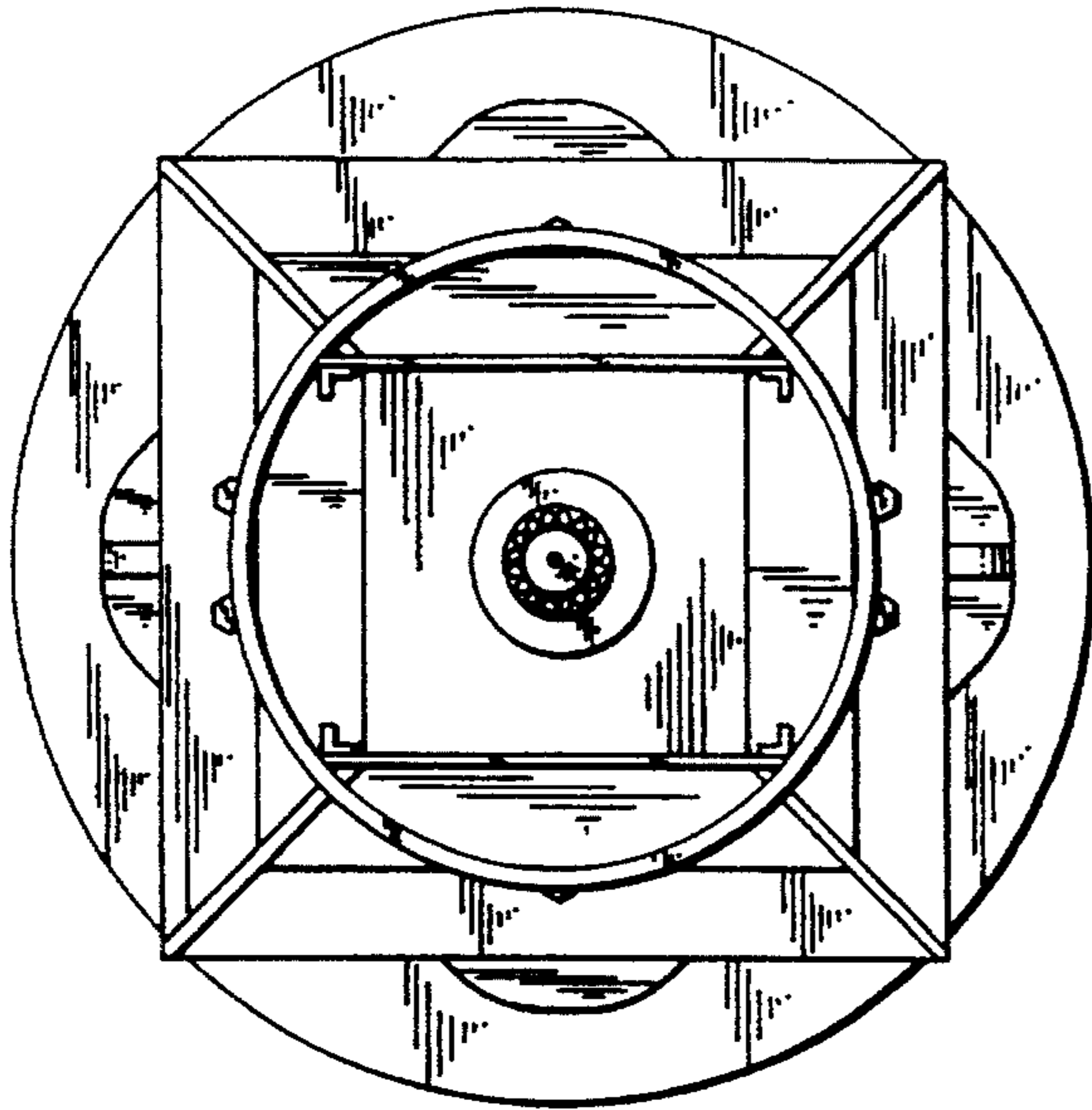


FIG. 3

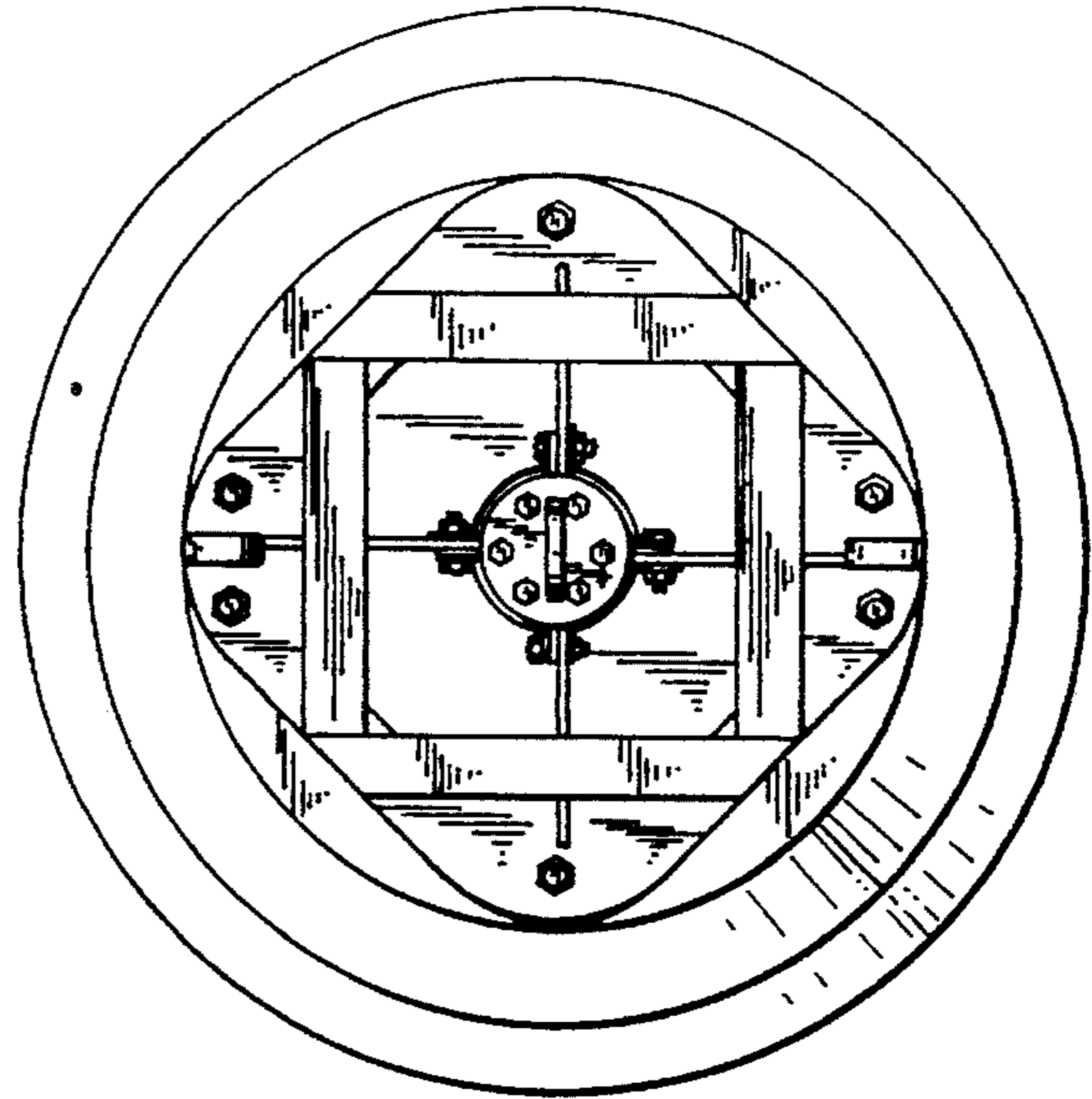


FIG. 4

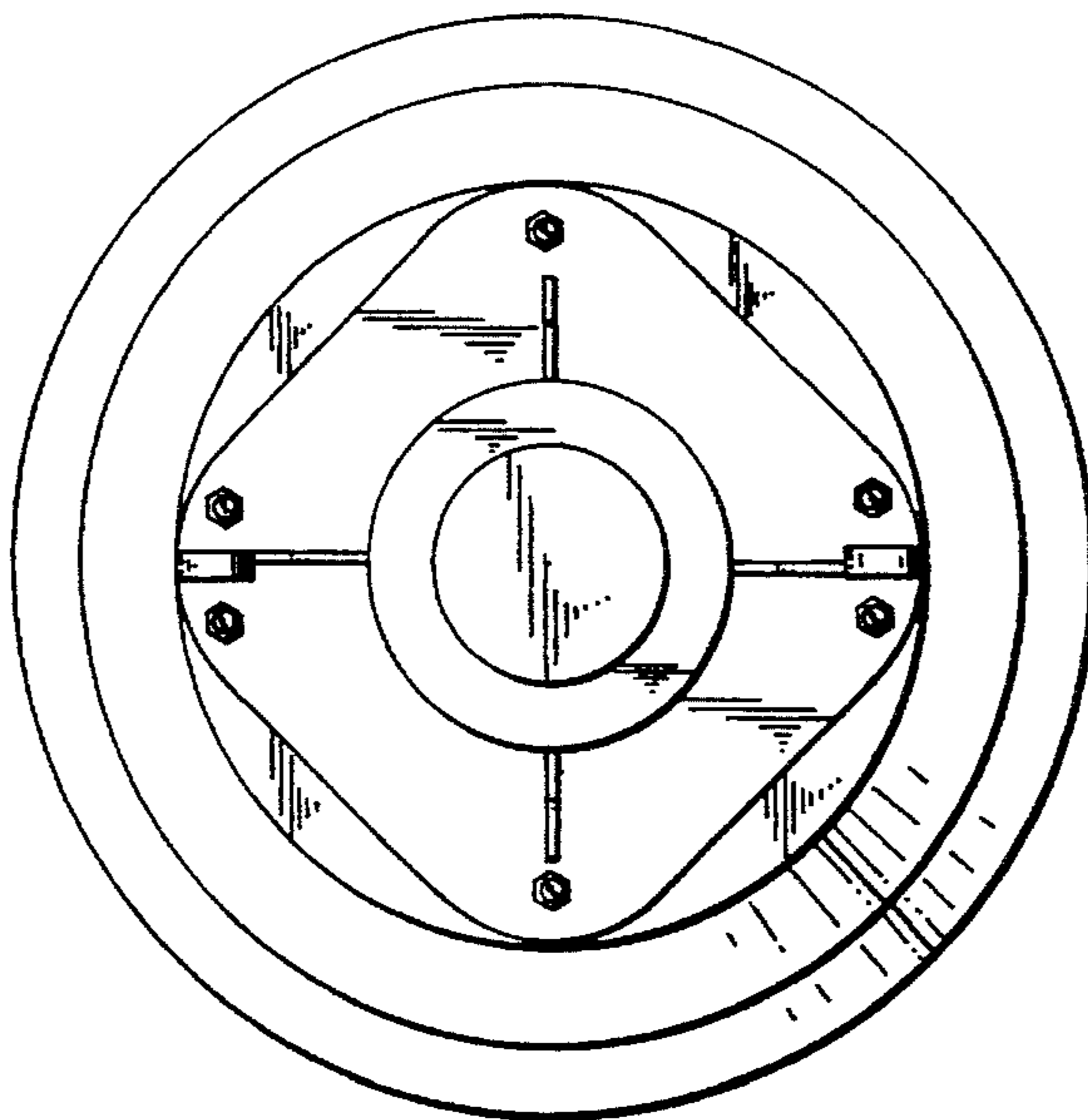
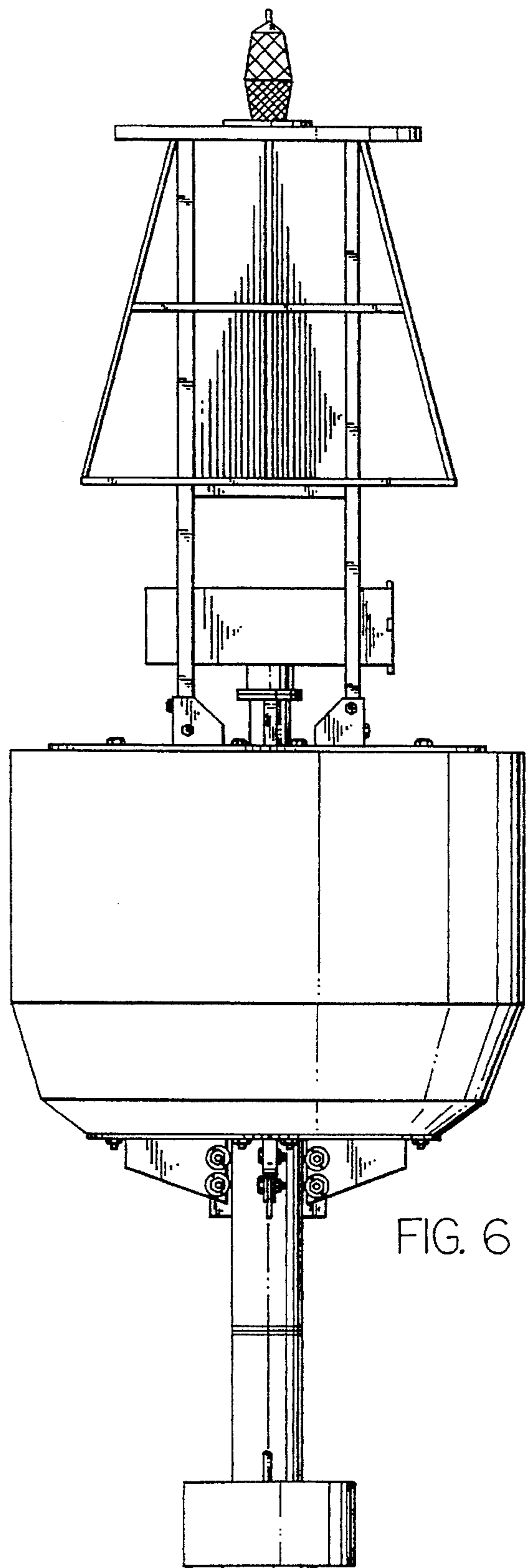
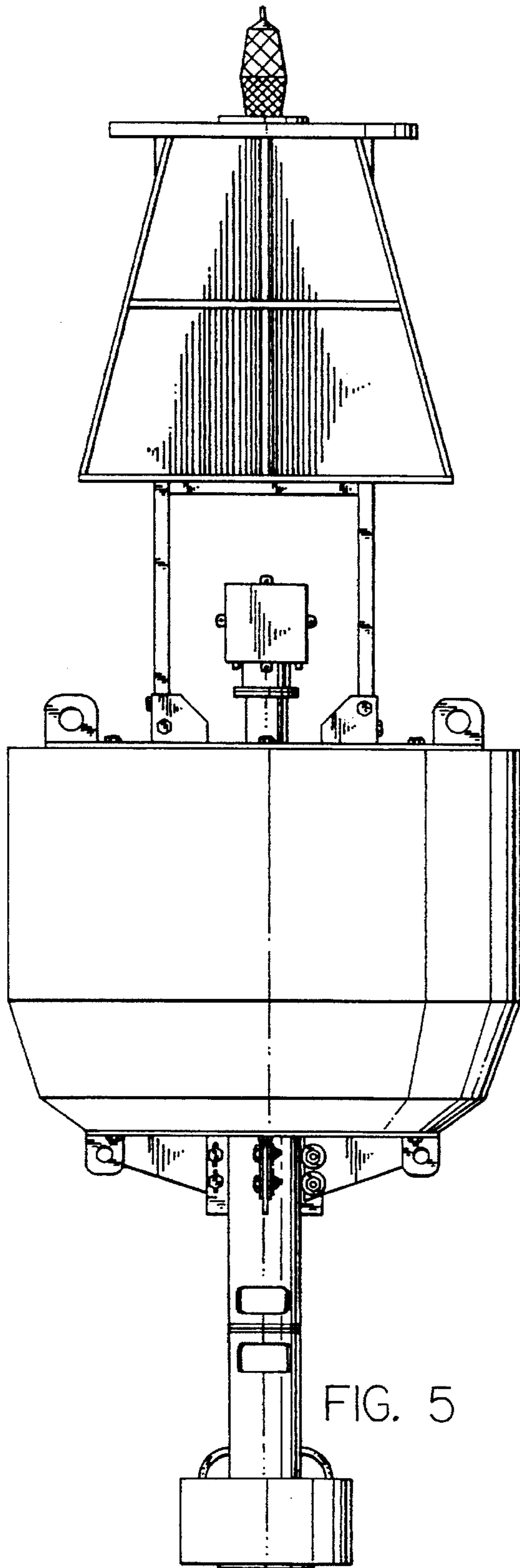


FIG. 7



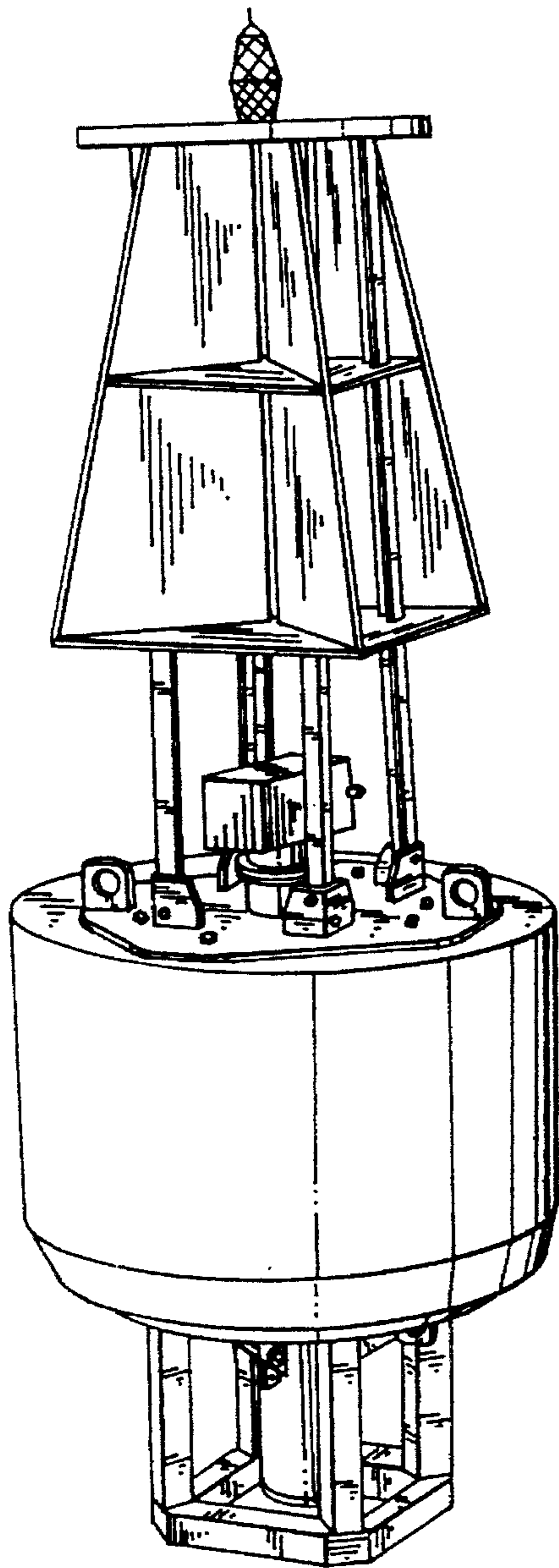


FIG. 8

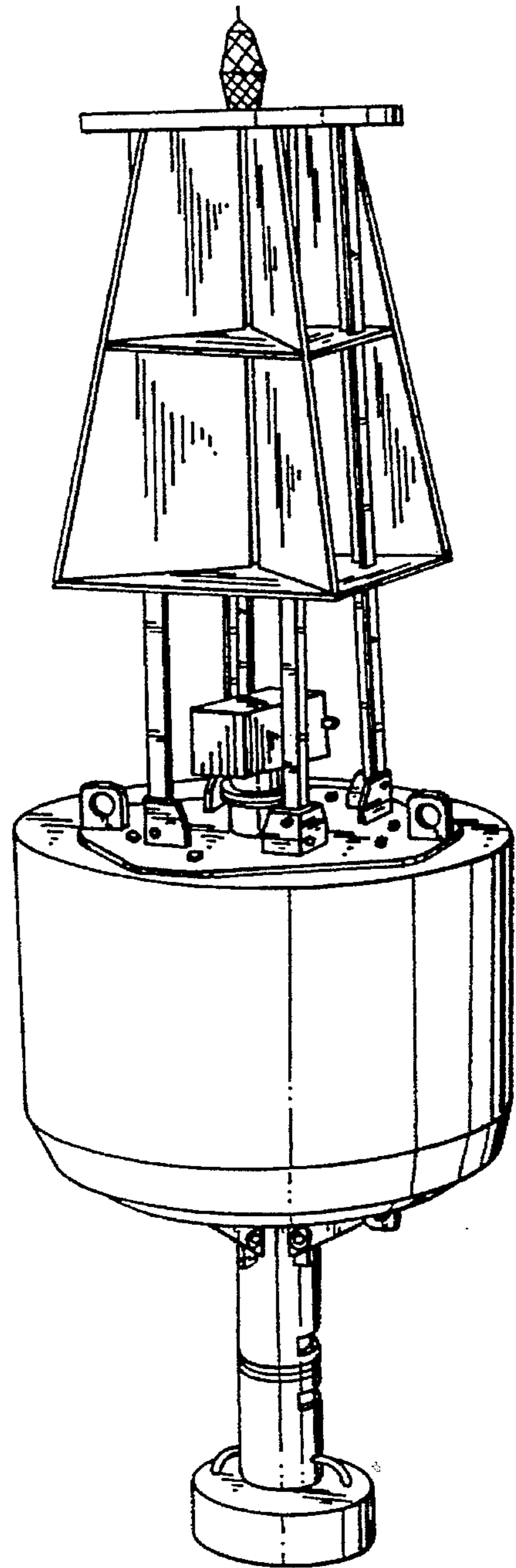


FIG. 9