



US00D363444S

United States Patent [19]

[11] Patent Number: **Des. 363,444**

Davis

[45] Date of Patent: ****Oct. 24, 1995**

[54] **ACTUATOR FOR SENSING WATER LEAK AND, RESPONSIVE THERETO, SHUTTING A VALVE**

D. 308,491 6/1990 Perry D10/96

[76] Inventor: **Howell J. Davis**, 2633 Brookside Cir., Mt. Dora, Fla. 32757

Primary Examiner—Antoine Duval Davis
Attorney, Agent, or Firm—H. Jay Spiegel

[**] Term: **14 Years**

[57] **CLAIM**

The ornamental design for an actuator for sensing water leak and, responsive thereto, shutting a valve, as shown and described.

[21] Appl. No.: **23,818**

DESCRIPTION

[22] Filed: **Jun. 1, 1994**

[52] U.S. Cl. **D10/101**; D10/46

[58] **Field of Search** D10/75, 96, 101, D10/46; 73/40, 308, 313, 304 R; 137/78.1, 1, 312, 392, 460, 486, 487.5, 551; 200/40, 41, 61.04, 61.05, DIG. 2; 340/515, 603, 604, 605, 620, 636, 623

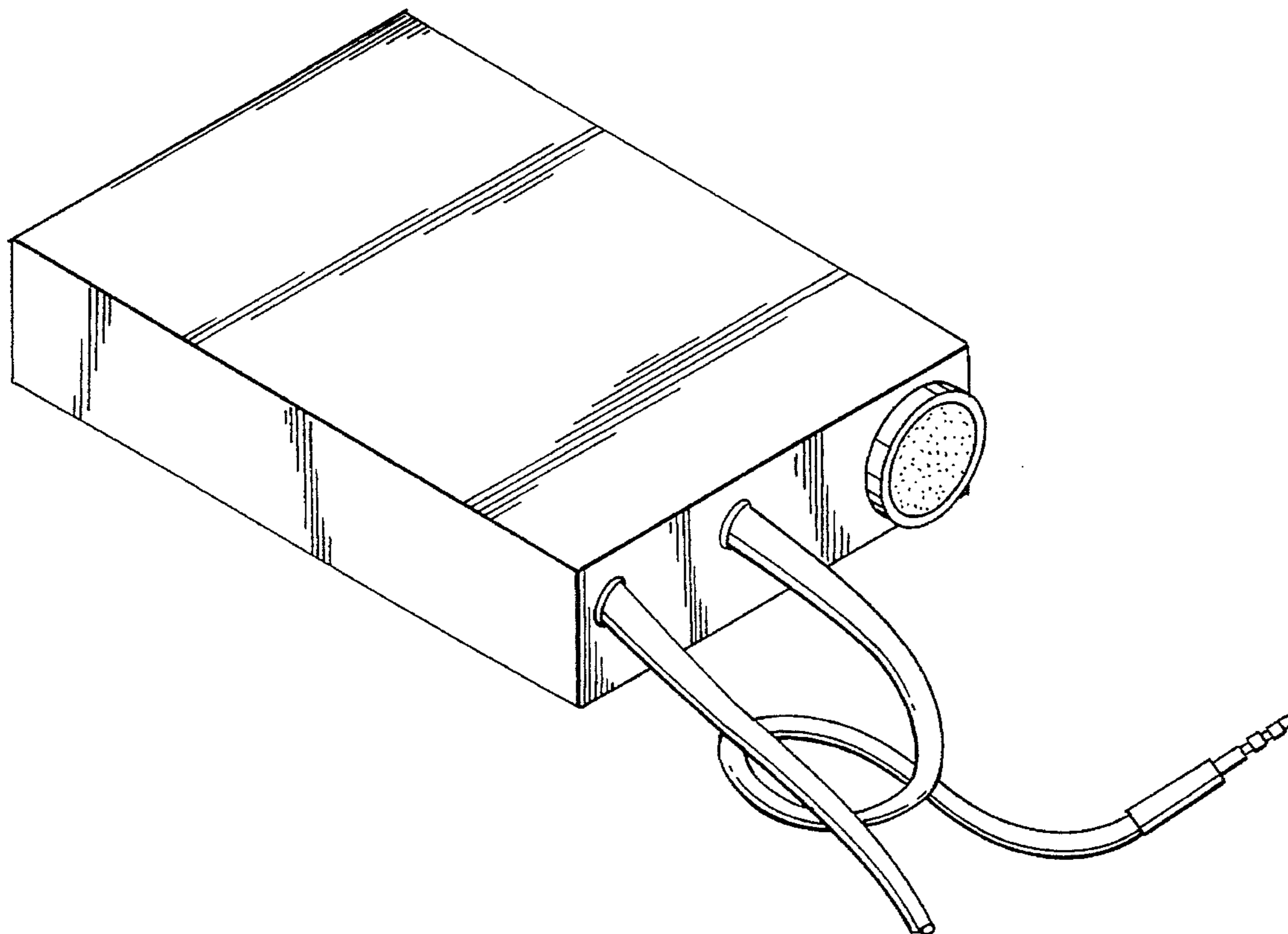
FIG. 1 shows a front and top perspective view; the broken line showing of a valve and bypass valve are for illustrative purposes only and forms no part of the claimed design; FIG. 2 shows a front and bottom perspective view of the present invention; FIG. 3 shows a rear view of the present invention; FIG. 4 shows a front view of the present invention; FIG. 5 shows a side view of the present invention; and, FIG. 6 shows the other side view of the present invention.

[56] **References Cited**

U.S. PATENT DOCUMENTS

D. 295,025 4/1988 Vaught D10/75

1 Claim, 2 Drawing Sheets



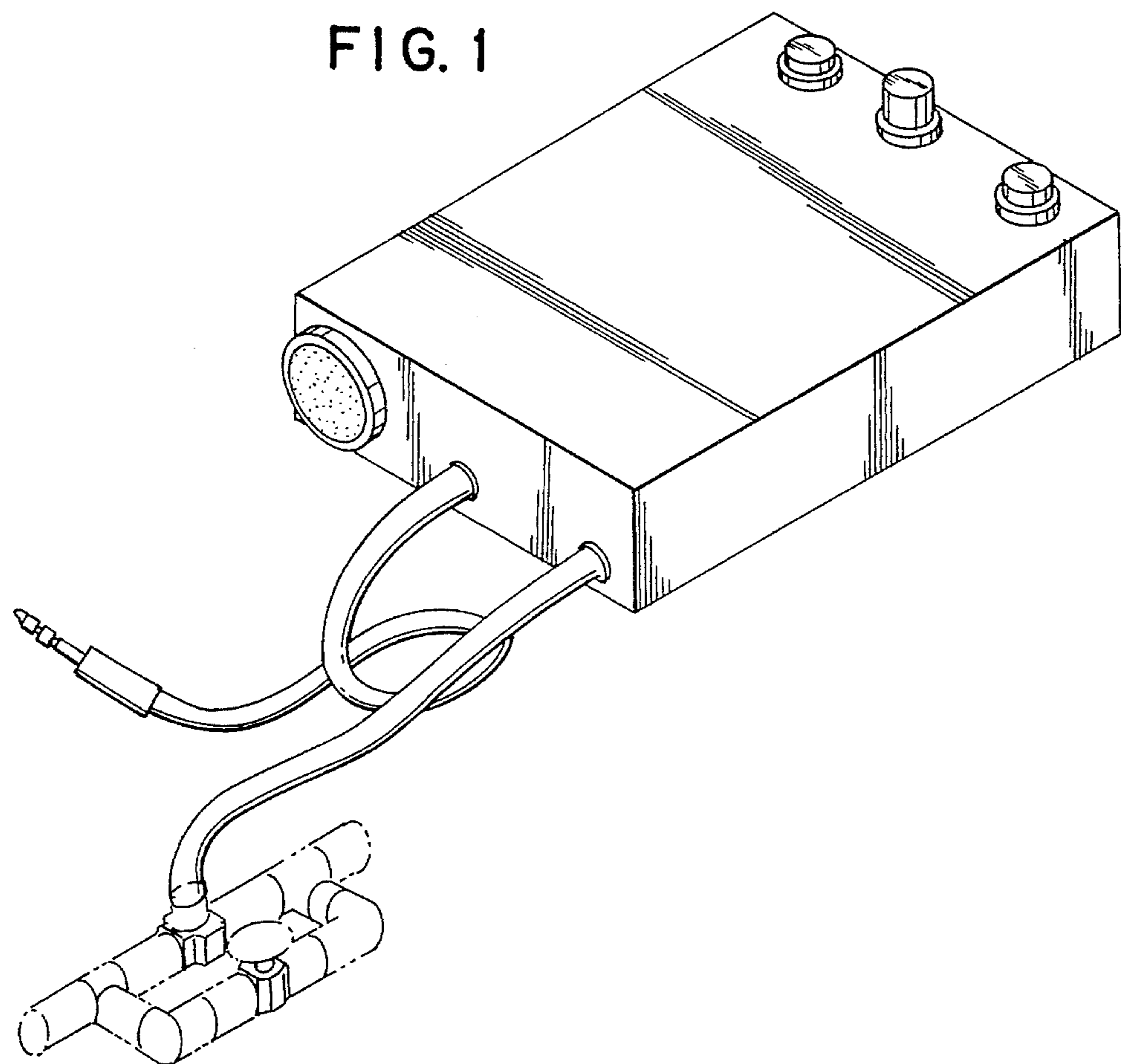
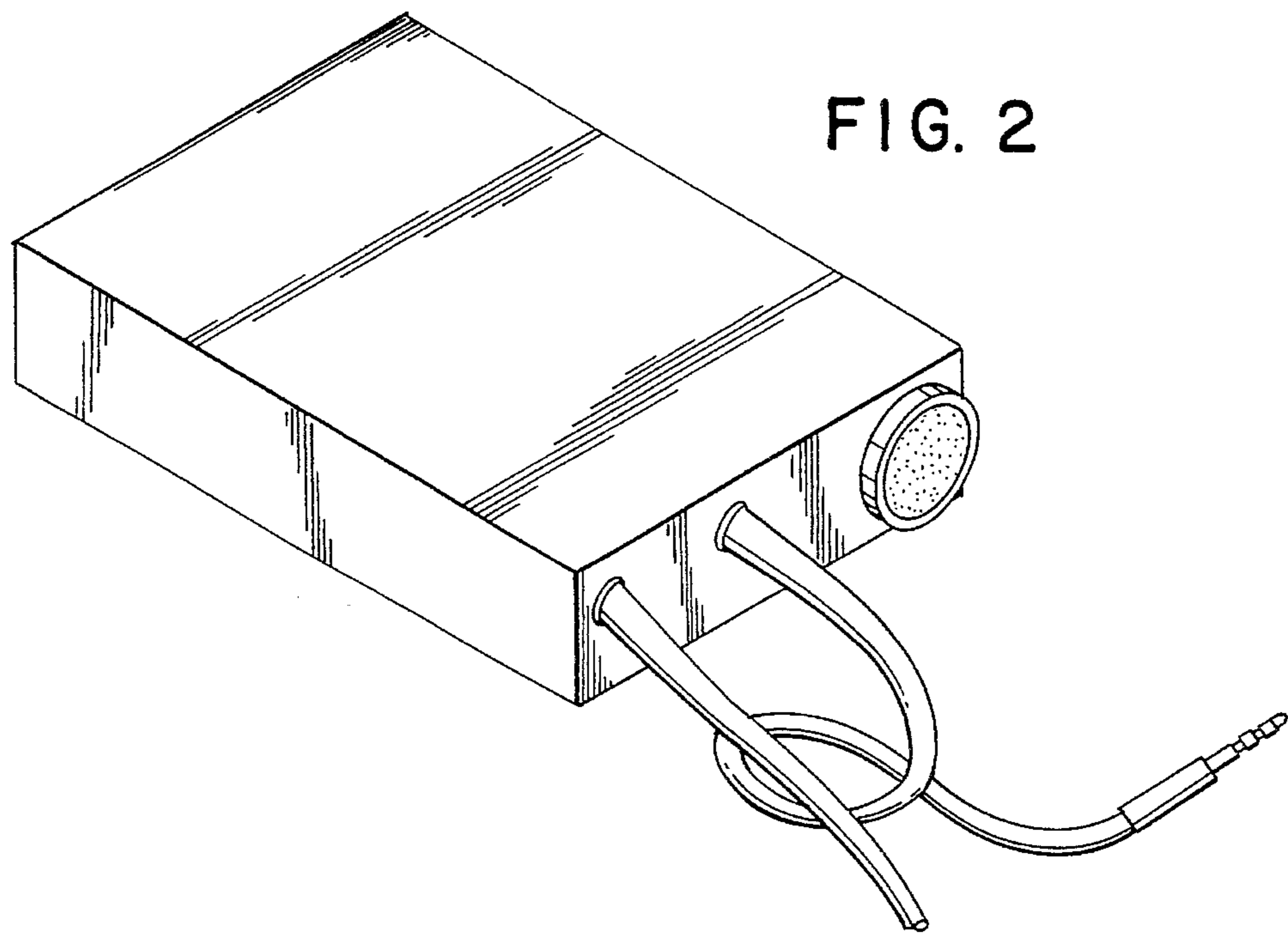


FIG. 3

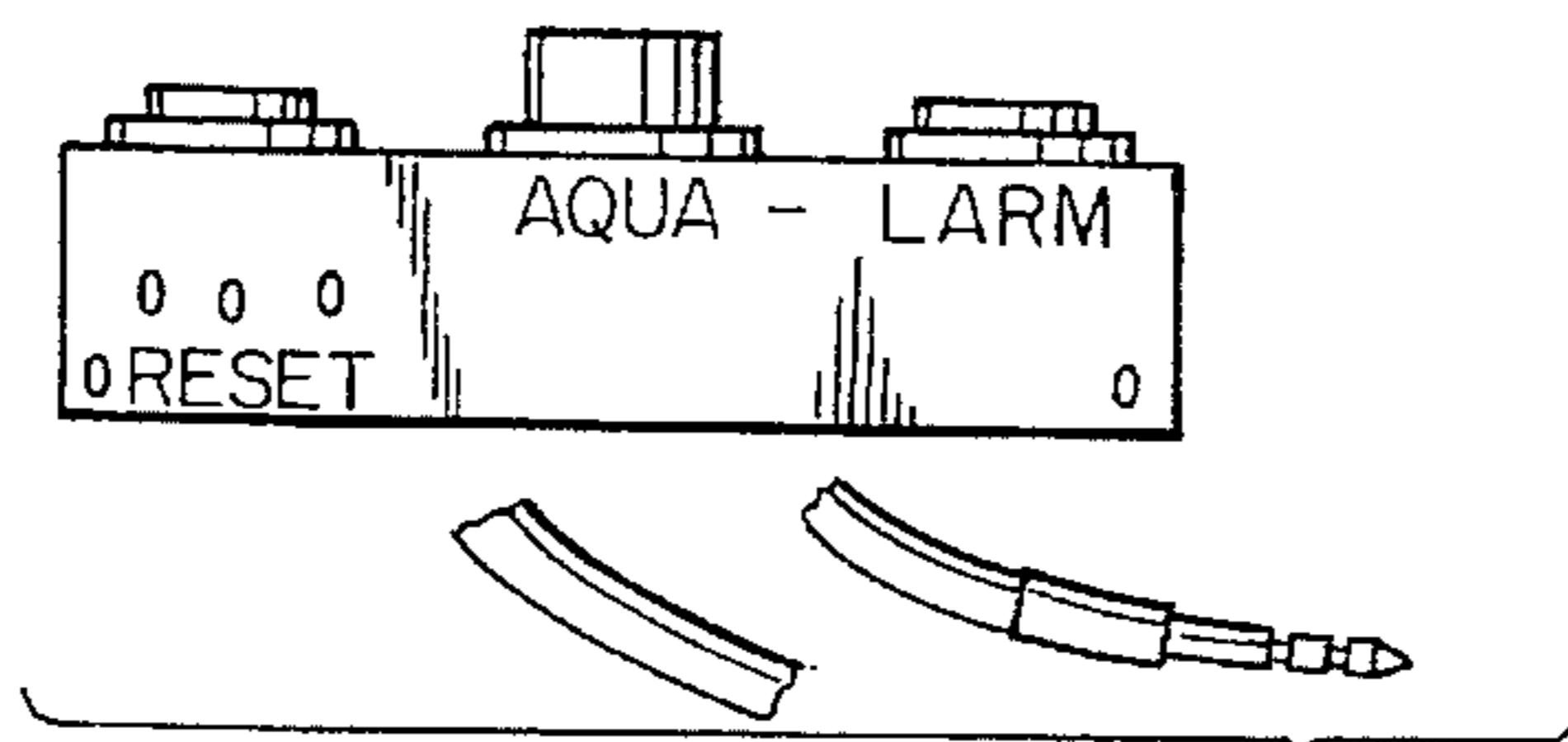


FIG. 4

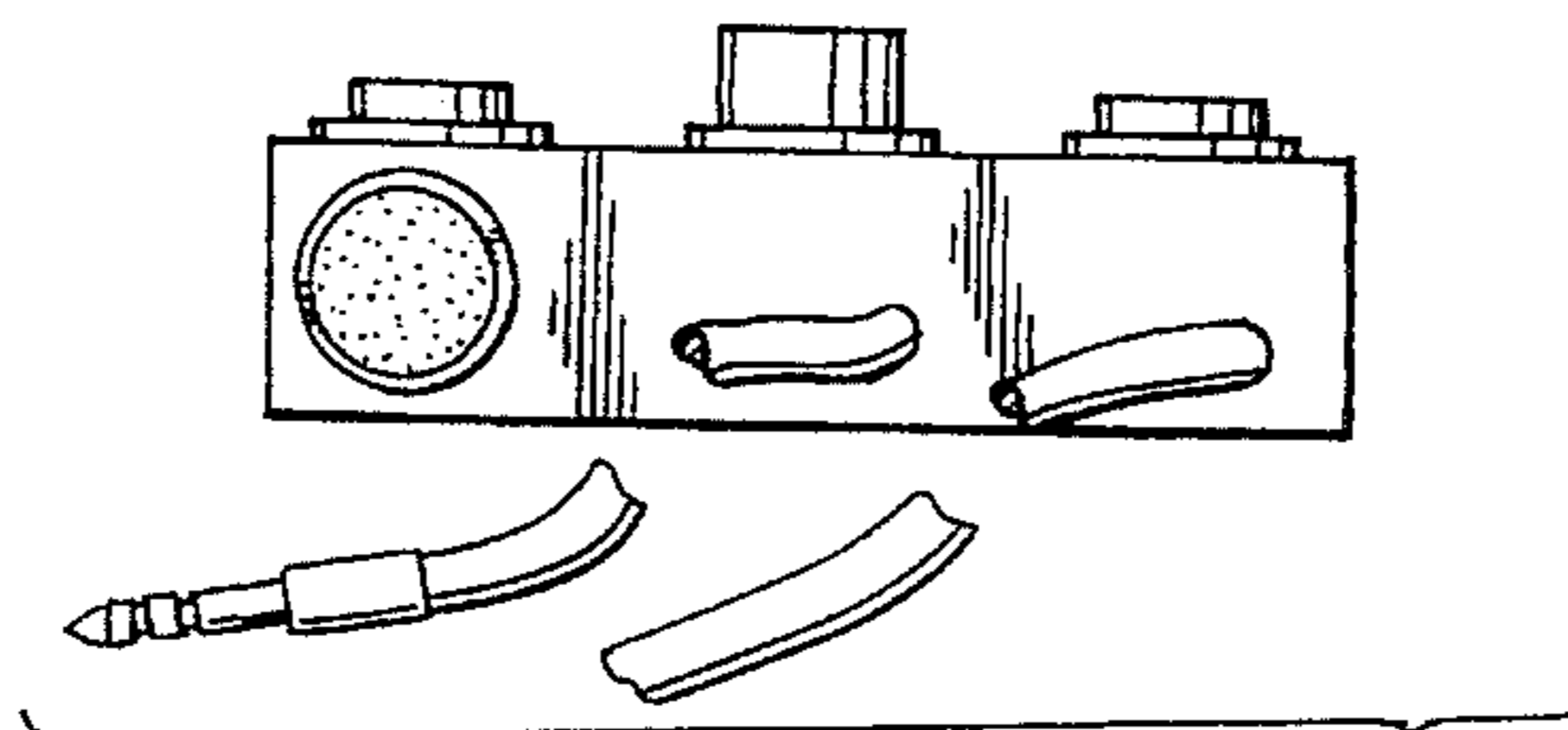


FIG. 5

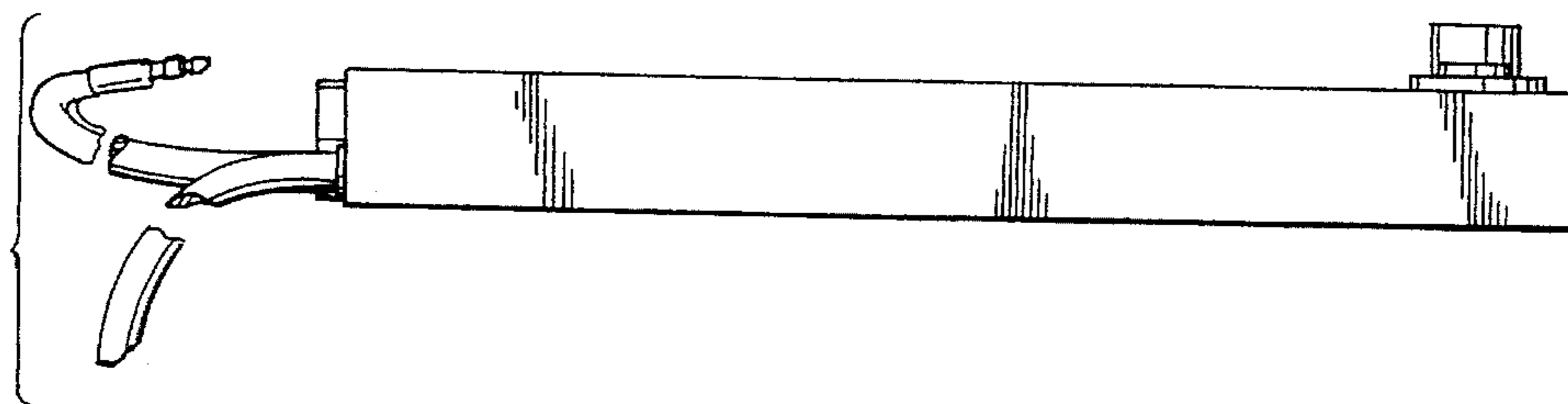


FIG. 6

