



US00D363440S

United States Patent [19]

[11] Patent Number: **Des. 363,440**

Hoofnagle et al.

[45] Date of Patent: ****Oct. 24, 1995**

[54] **LOCAL AREA NETWORK CABLE TEST INSTRUMENT**

D. 353,342	12/1994	King et al.	D10/78
D. 355,138	2/1995	Hoofnagle et al.	D10/78
4,912,755	3/1990	Blood et al.	379/21 X
5,157,708	10/1992	Garthwaite et al.	379/21
5,309,498	5/1994	Aragoncillo-Ballesteros	379/21
5,398,276	3/1995	Lemke et al.	379/21

[75] Inventors: **Wayne S. Hoofnagle**, Bellevue; **Roger L. Howell**, Seattle; **C. Mark Nerby**, Bothell, all of Wash.

Primary Examiner—Alan P. Douglas
Assistant Examiner—Antoine D. Davis

[73] Assignee: **Fluke Corporation**, Everett, Wash.

[**] Term: **14 Years**

[57] CLAIM

[21] Appl. No.: **32,677**

The ornamental design for a local area network cable test instrument, as shown and described.

[22] Filed: **Dec. 23, 1994**

DESCRIPTION

[52] U.S. Cl. **D10/78**

[58] **Field of Search** D10/78; 324/66, 324/67, 158 F, 539, 540, 541, 542; 379/1, 2, 3, 4, 5, 6, 7, 8, 9, 10, 21, 60, 66, 96, 105, 106, 107

FIG. 1 is a bottom, front, and right side perspective view showing our new design with the tilt bail open; FIG. 2 is a front elevational view; FIG. 3 is a right side elevational view; FIG. 4 is a left side elevational view; FIG. 5 is a top plan view; FIG. 6 is a bottom plan view; and, FIG. 7 is a rear elevational view thereof.

[56] References Cited

U.S. PATENT DOCUMENTS

D. 254,778	4/1980	Kitada et al.	D10/78 X
D. 315,691	3/1991	Morgan	D10/78
D. 351,112	10/1994	Fisher et al.	D10/78

1 Claim, 6 Drawing Sheets

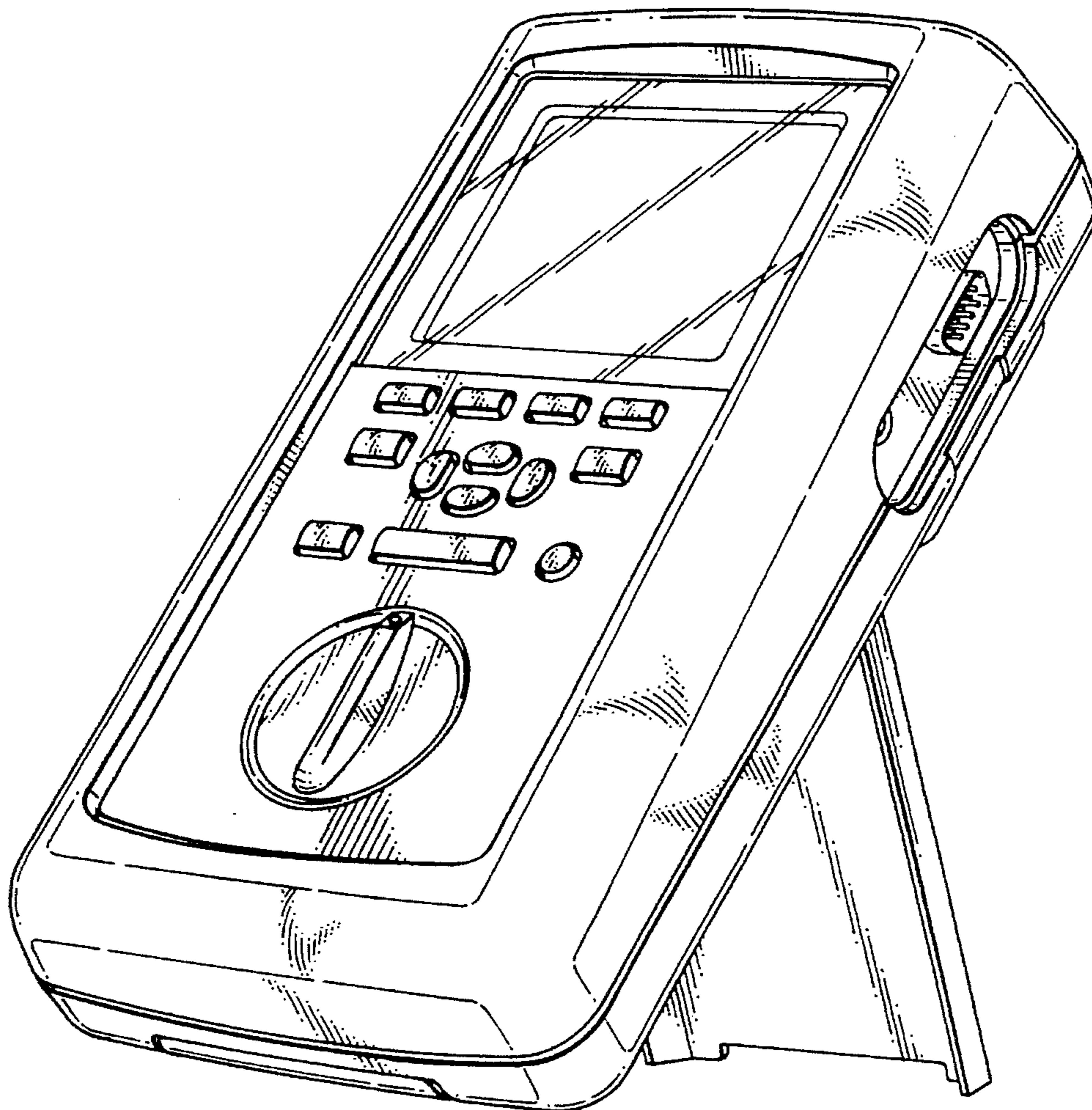


FIG. 1

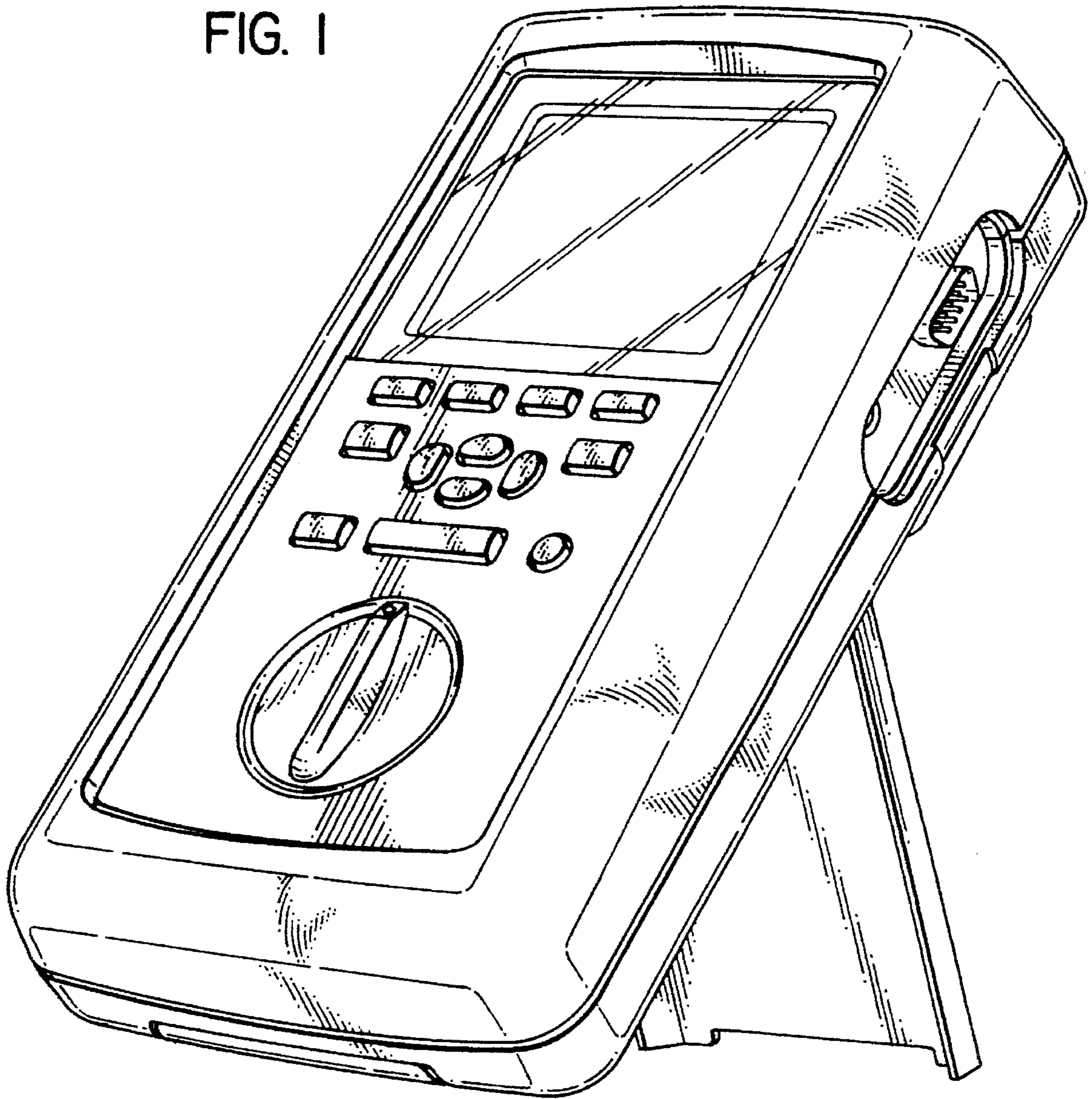


FIG. 2

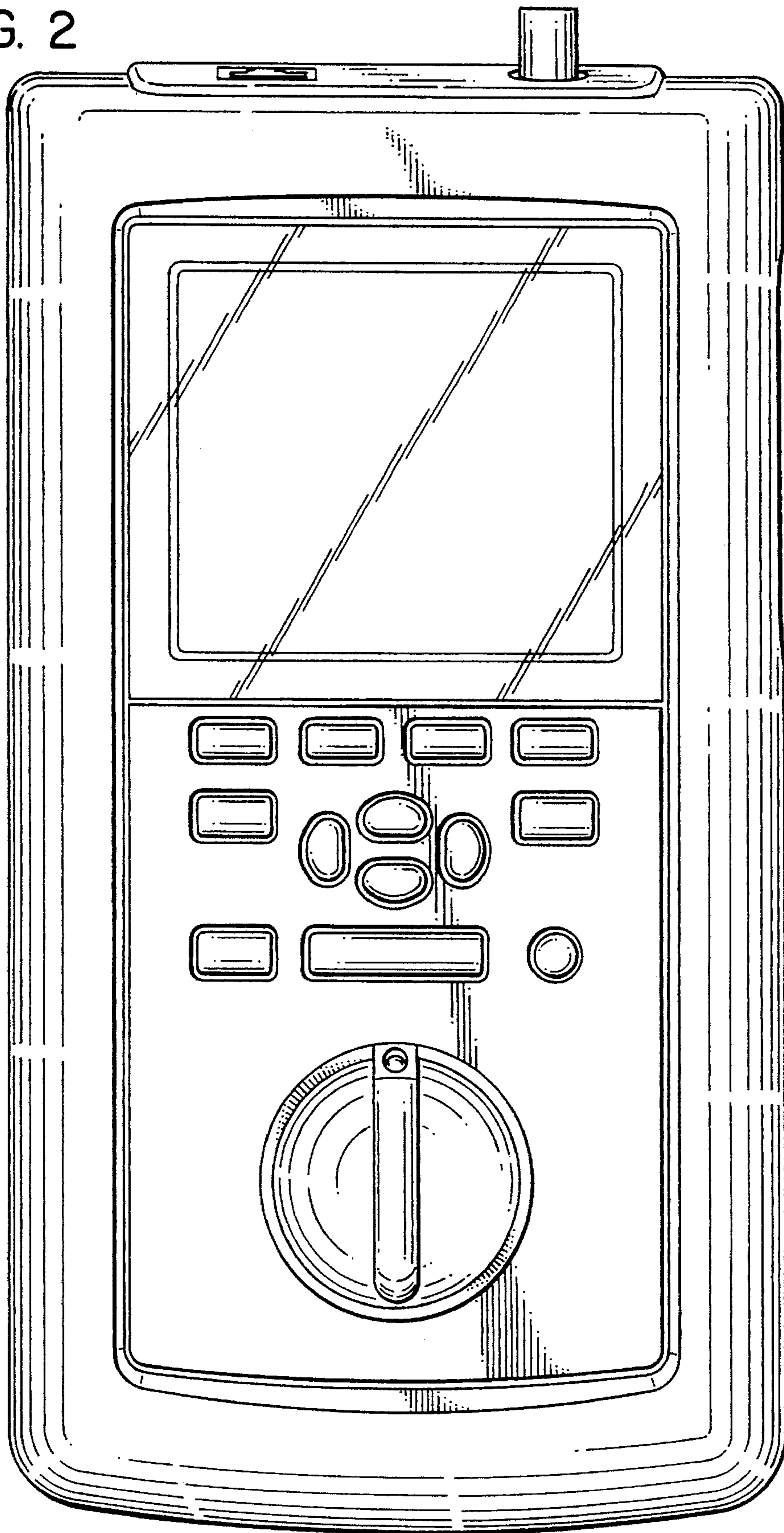


FIG. 3

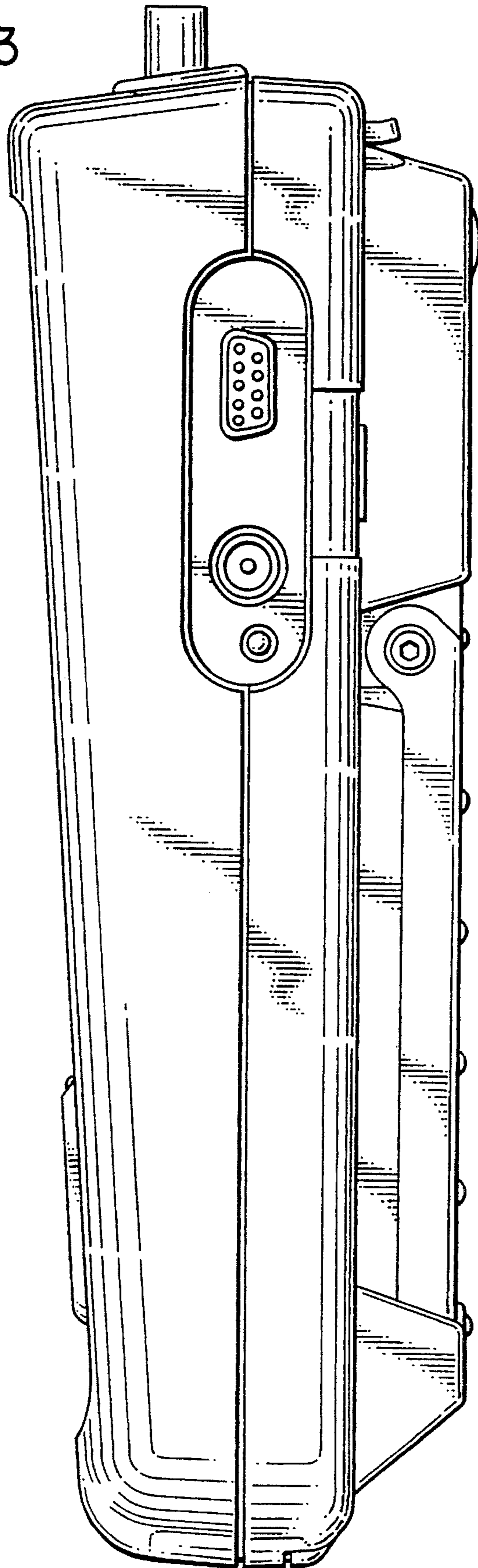


FIG. 4

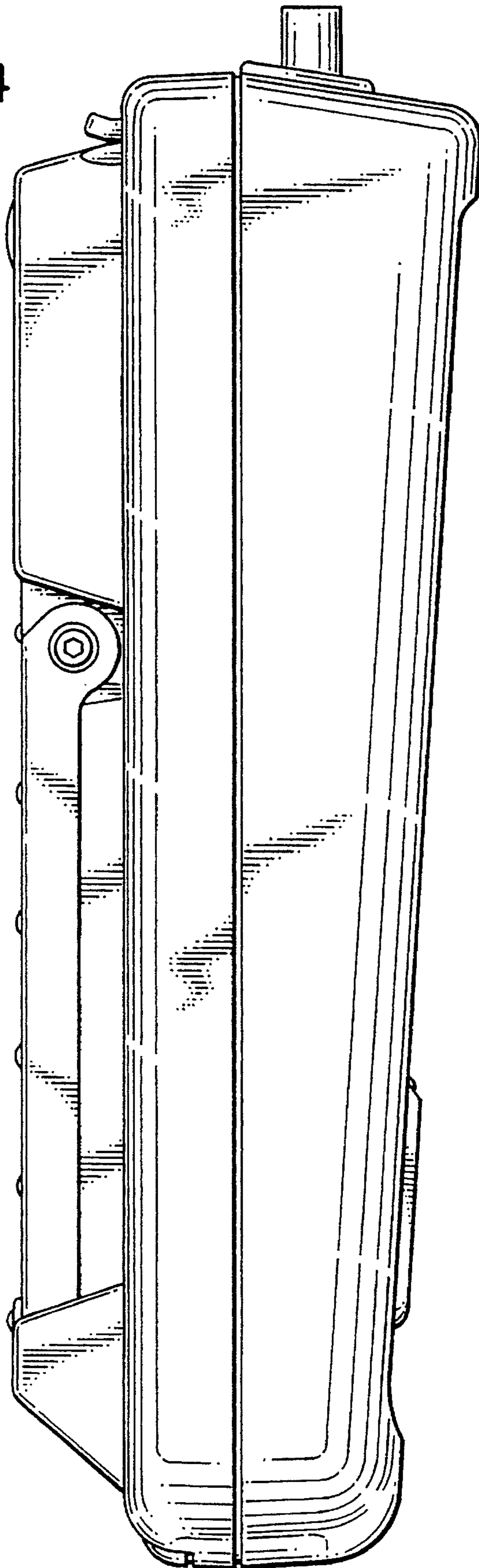


FIG. 5

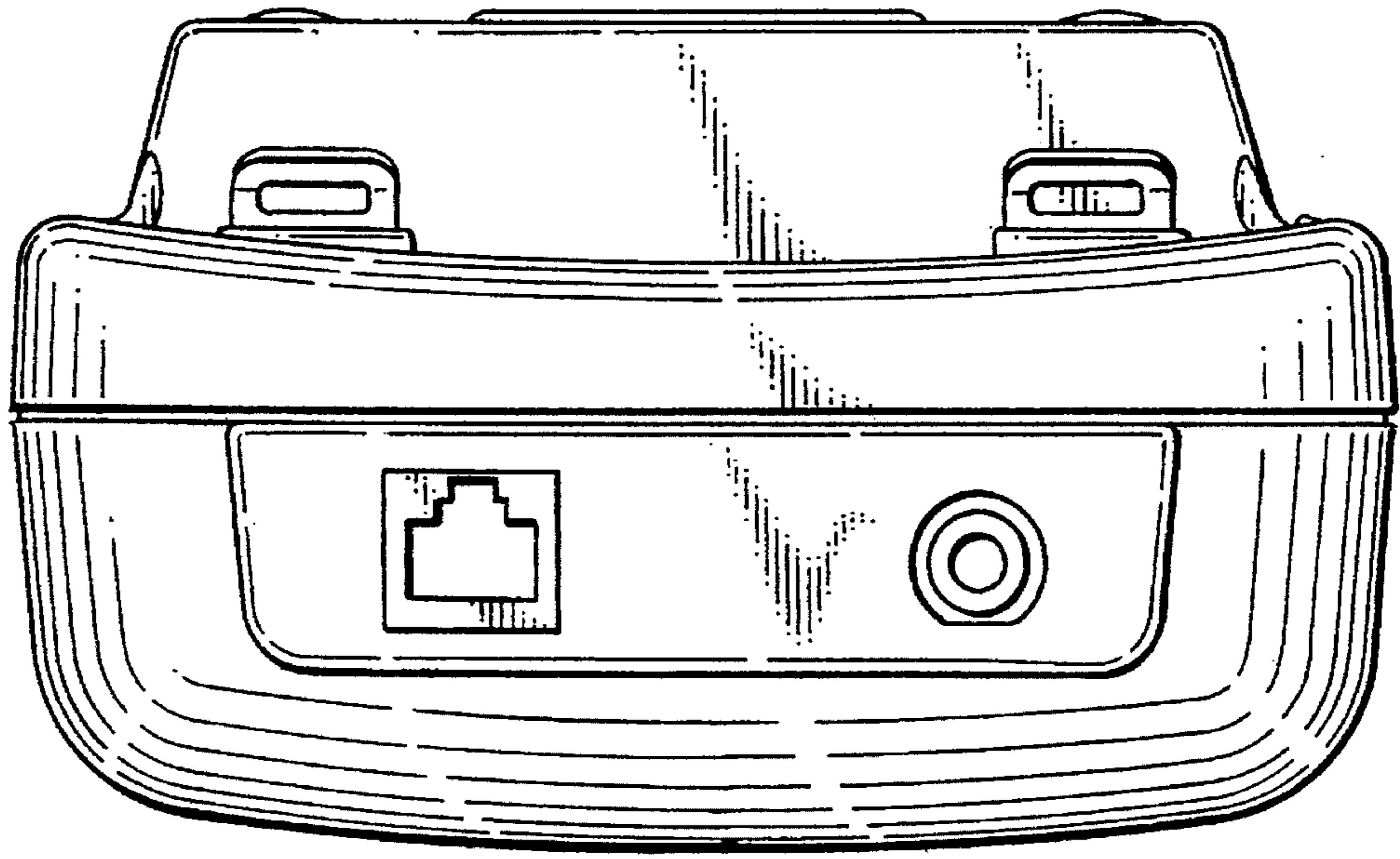


FIG. 6

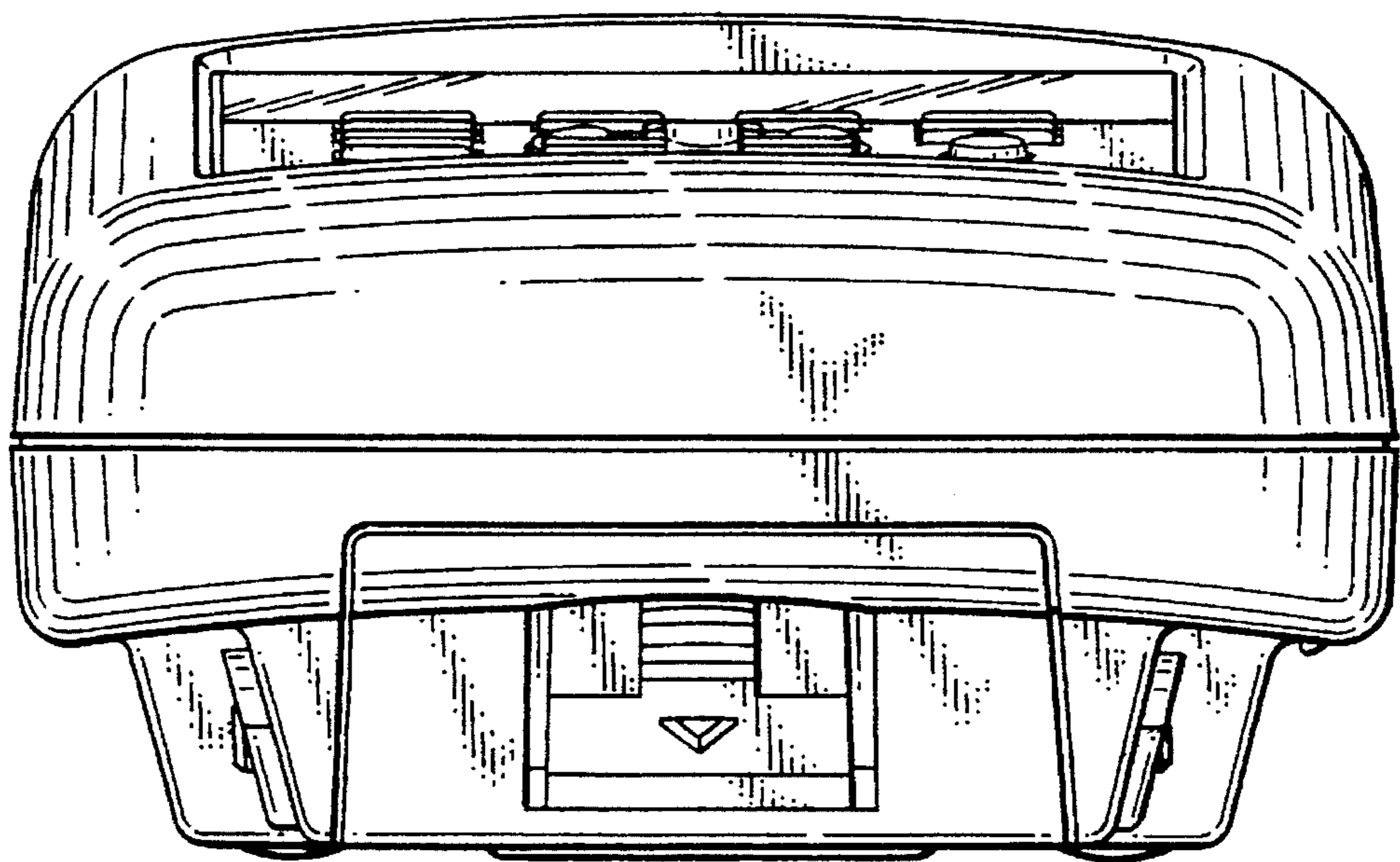


FIG. 7

