



US00D363437S

United States Patent [19]

[11] Patent Number: **Des. 363,437**

Rabassa

[45] Date of Patent: ****Oct. 24, 1995**

[54] **WRISTWATCH**

D. 346,118	4/1994	Charriol	D10/38 X
D. 352,465	11/1994	Ventrella	D10/32
2,566,741	9/1951	Newhouse	368/285

[75] Inventor: **Serge Rabassa**, Geneva, Switzerland

FOREIGN PATENT DOCUMENTS

[73] Assignee: **S.A. Ancienne Fabrique Georges Piaget & CIE**, La Cote-Aux-Fees, Switzerland

204293 4/1939 Switzerland 368/285

[**] Term: **14 Years**

Primary Examiner—Nelson C. Holtje
Attorney, Agent, or Firm—Young & Thompson

[21] Appl. No.: **29,293**

[57] CLAIM

[22] Filed: **Oct. 4, 1994**

The ornamental design for a wristwatch, as shown and described.

[30] Foreign Application Priority Data

DESCRIPTION

Apr. 8, 1994 [XH] Hague Agreement DMA 002482

[52] U.S. Cl. **D10/39; D10/30; D10/38**

FIG. 1 is a top plan view of a wristwatch showing my new design;

[58] Field of Search D10/1-40, 122-132; 368/280-282, 276-277, 285

FIG. 2 is a perspective view thereof;

FIGS. 3 and 4 are views similar to FIGS. 1 and 2, respectively, but with the watch dial and hands removed;

[56] References Cited

U.S. PATENT DOCUMENTS

D. 81,839	8/1930	Mooney	D10/126
D. 81,840	8/1930	Mooney	D10/126
D. 262,781	1/1982	Maliskas	D10/126
D. 266,318	9/1982	Noguchi	D10/123
D. 323,995	2/1992	Woomer	D10/39
D. 331,022	11/1992	Burgener	D10/30 X
D. 332,408	1/1993	Chodat	D10/38 X

FIG. 5 is a view thereof from the right of FIG. 8;

FIG. 6 is a view thereof from the bottom of FIG. 5;

FIG. 7 is a view thereof from the side opposite that shown in FIG. 5;

FIG. 8 is a view thereof from the right of FIG. 5; and,

FIG. 9 is a view thereof from the left of FIG. 5.

1 Claim, 1 Drawing Sheet

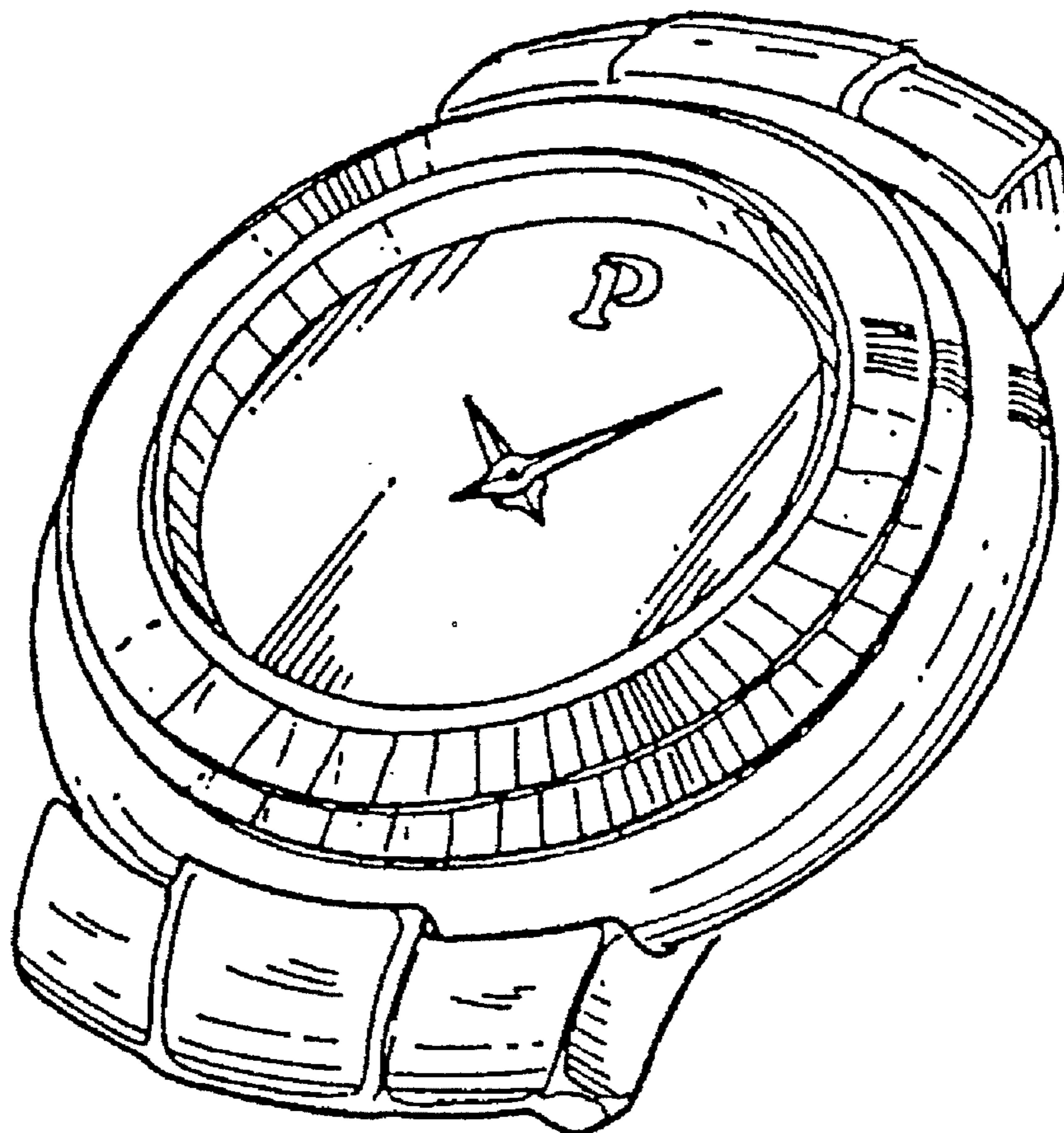


FIG. 2

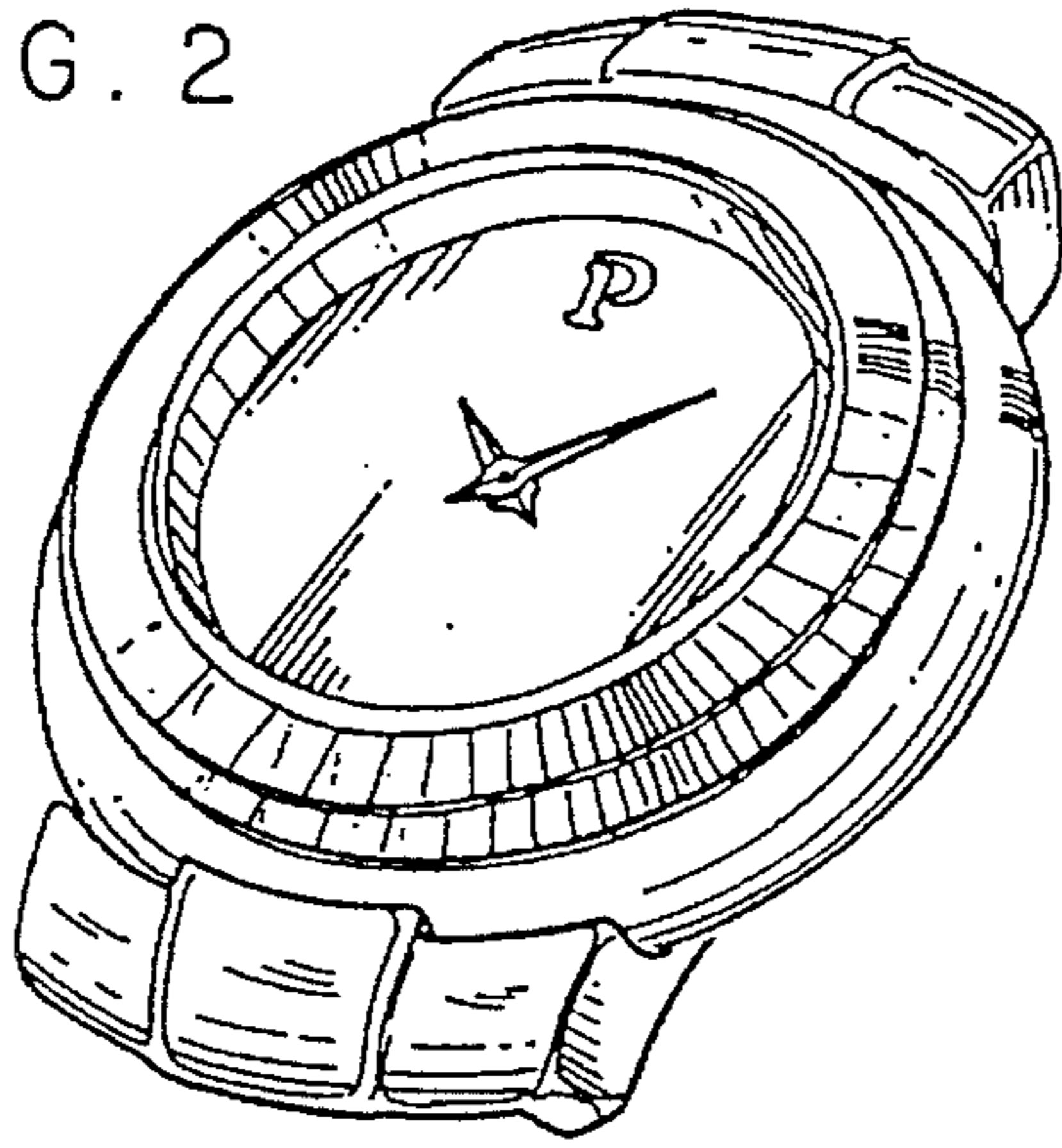


FIG. 1

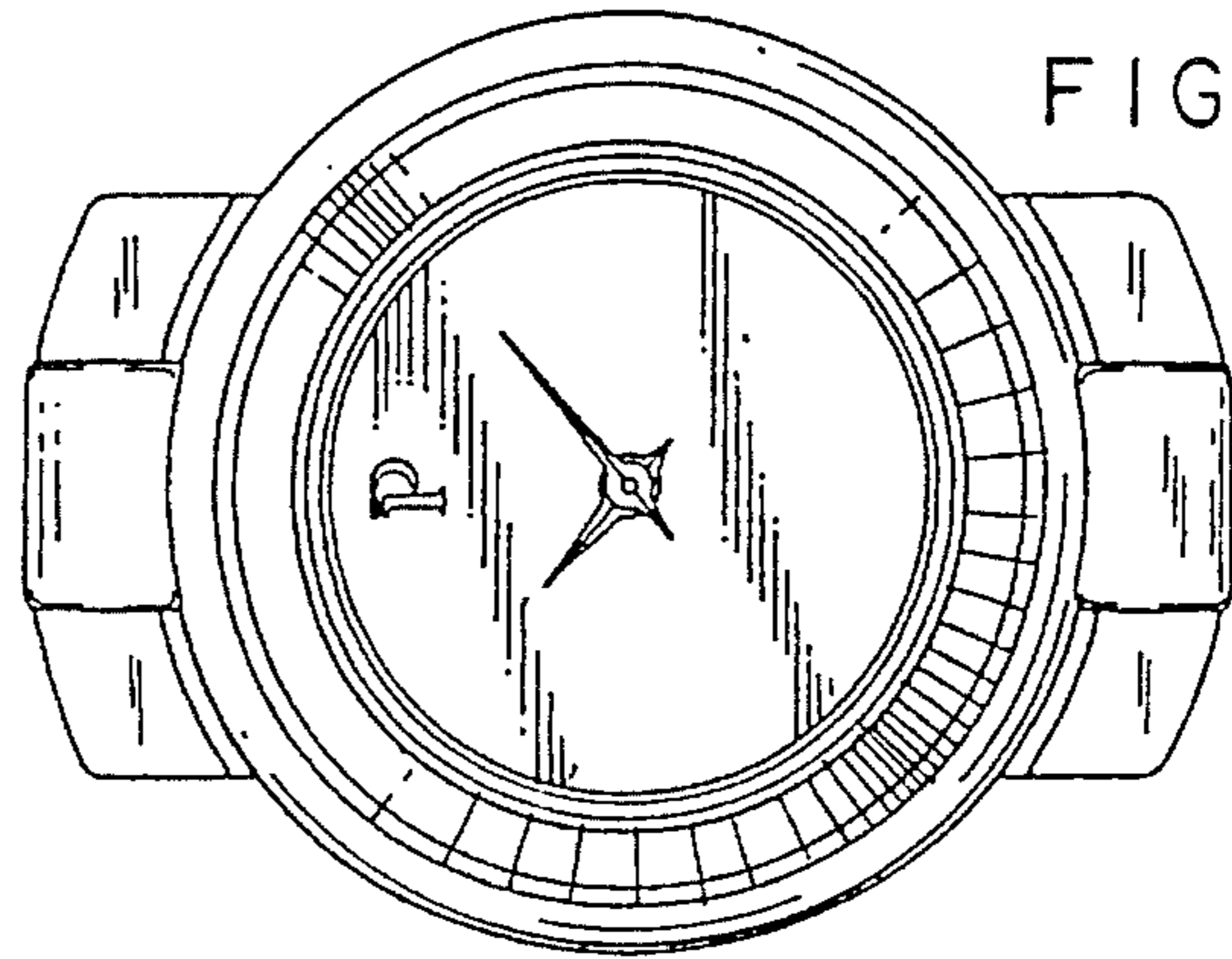


FIG. 4

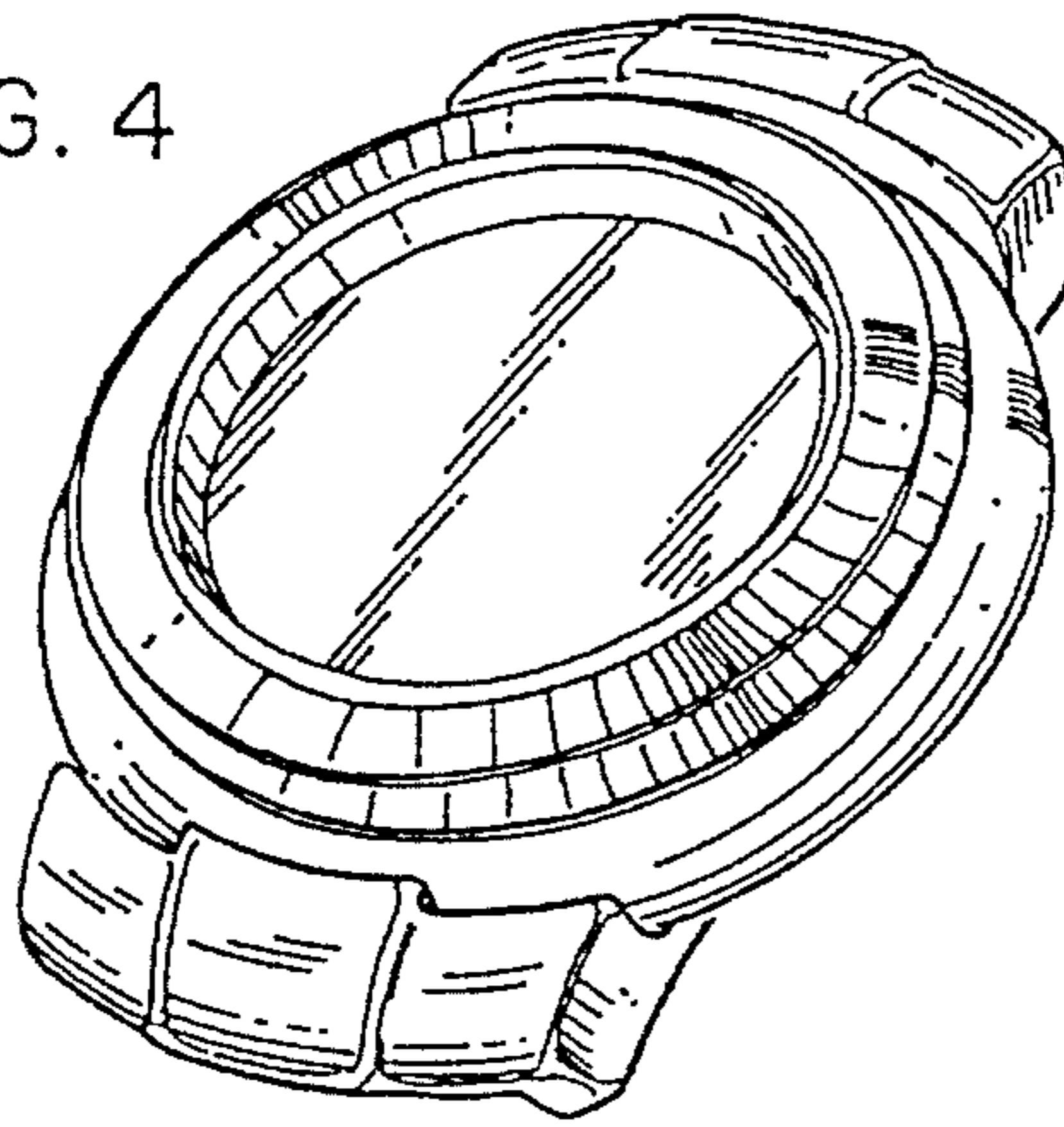


FIG. 3

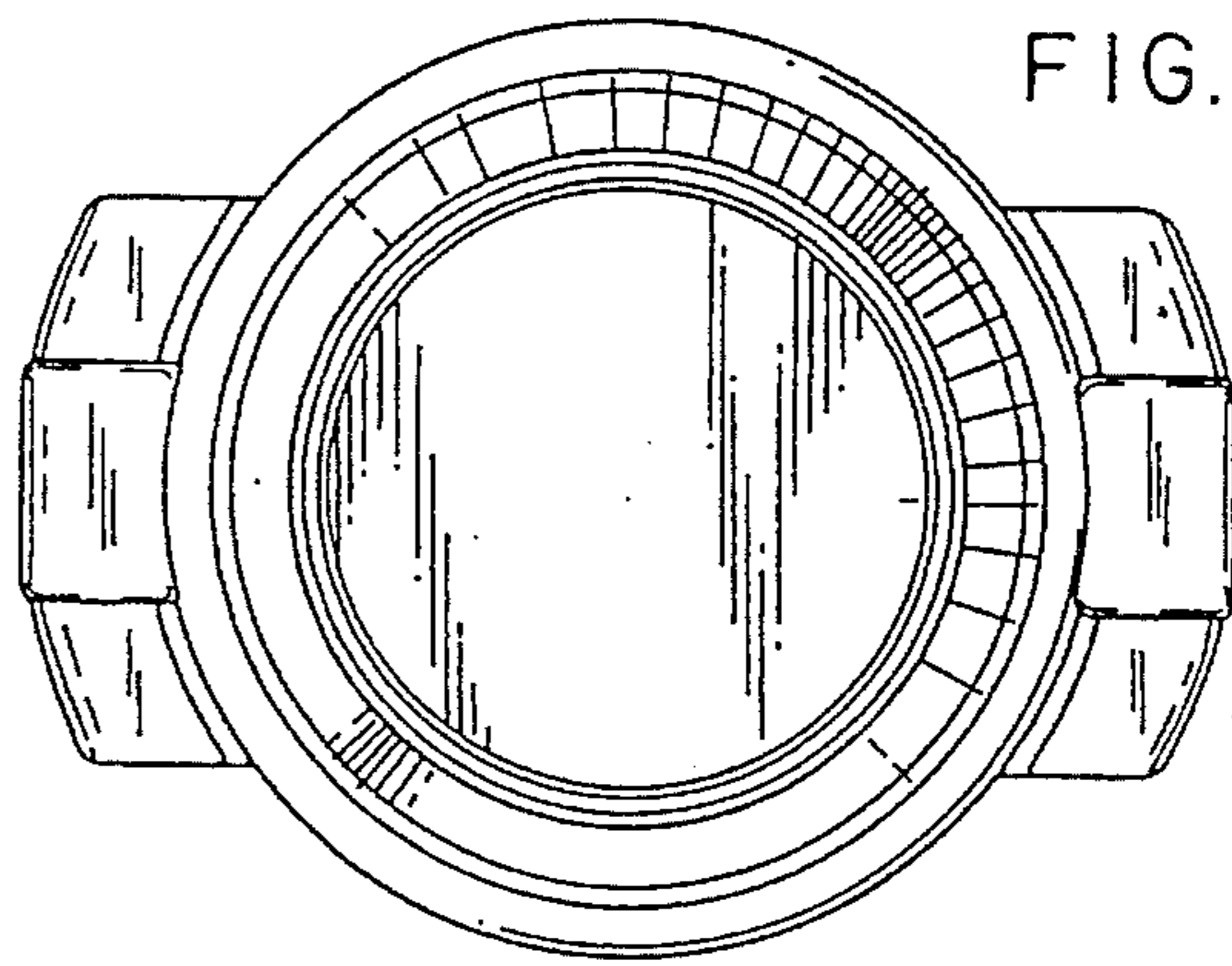


FIG. 6

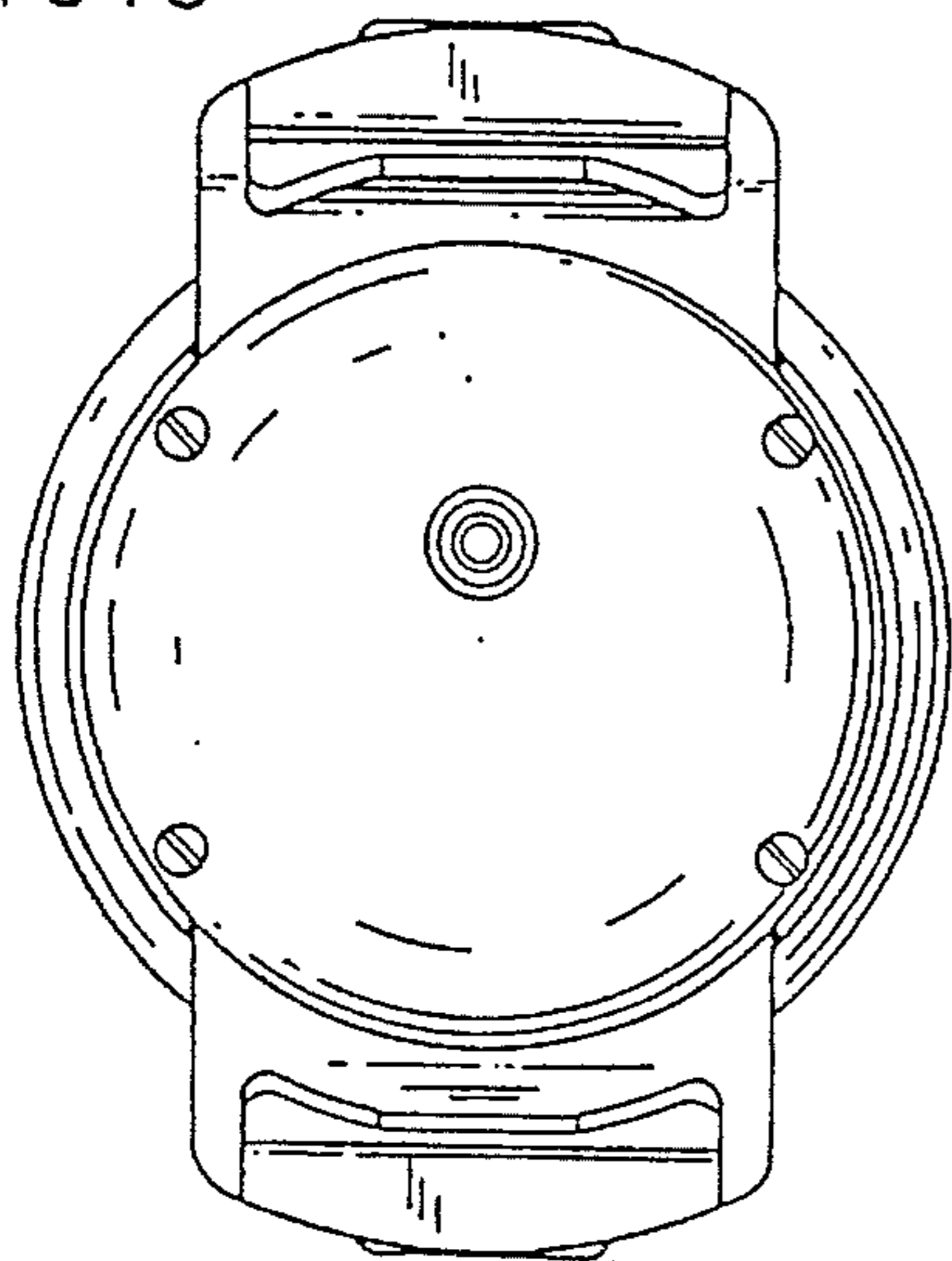


FIG. 8

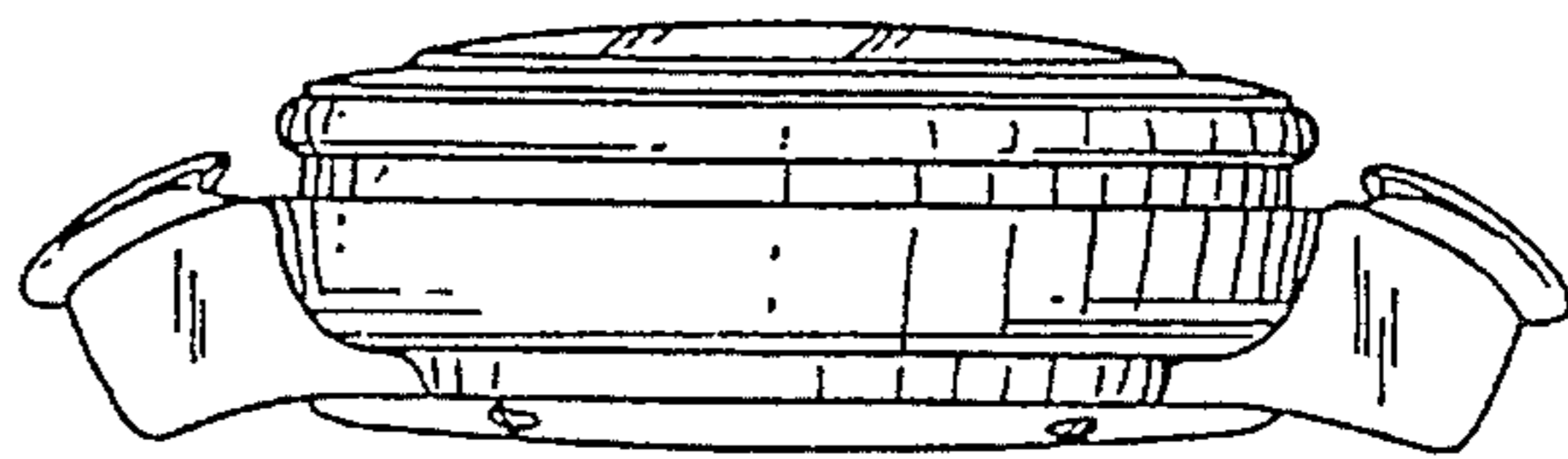


FIG. 9

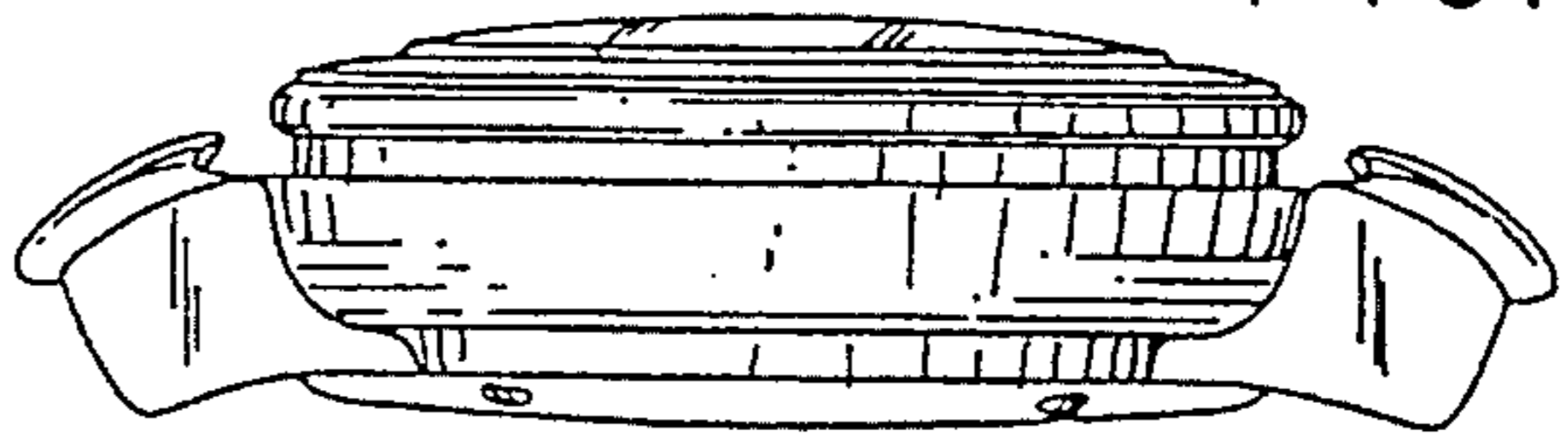


FIG. 5

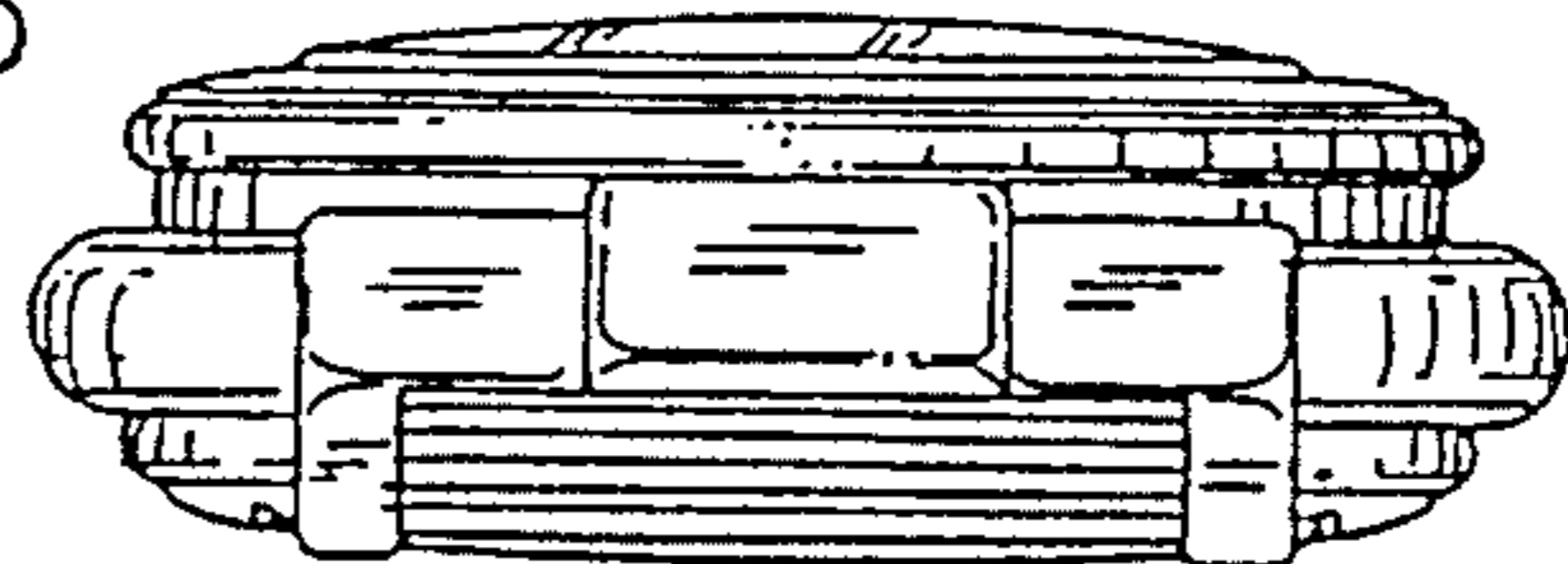


FIG. 7

