



US00D363436S

# United States Patent [19] Wong

[11] Patent Number: **Des. 363,436**  
[45] Date of Patent: **\*\*Oct. 24, 1995**

- [54] **ANALOG ALARM CLOCK**
- [75] Inventor: **Lai L. Wong**, Hong Kong, Hong Kong
- [73] Assignee: **Ballanda Limited**, Kwai Chung, Hong Kong
- [\*\*] Term: **14 Years**
- [21] Appl. No.: **31,269**
- [22] Filed: **Nov. 17, 1994**
- [52] U.S. Cl. .... **D10/26; D10/20**
- [58] Field of Search ..... **D10/1-40, 122-132; 368/276-277, 285, 316-317**

D. 343,796 2/1994 Hatsuki ..... D10/15 X

### FOREIGN PATENT DOCUMENTS

2836650 11/1979 Germany ..... 368/276

*Primary Examiner*—Nelson C. Holtje  
*Attorney, Agent, or Firm*—Beveridge, DeGrandi, Weilacher & Young

### [57] CLAIM

The ornamental design for a analog alarm clock, as shown and described.

### DESCRIPTION

FIG. 1 is a front elevational view of a analog alarm clock showing my new design;  
FIG. 2 is a back elevational view thereof;  
FIG. 3 is a left side elevational view thereof;  
FIG. 4 is a right side elevational view thereof;  
FIG. 5 is a top elevational view thereof; and,  
FIG. 6 is a bottom elevational view thereof.

**1 Claim, 3 Drawing Sheets**

### [56] References Cited

#### U.S. PATENT DOCUMENTS

- D. 200,113 1/1965 Judson ..... D10/26 X
- D. 214,180 5/1969 Ernest ..... D10/26 X
- D. 274,042 5/1984 Bulgari ..... D10/18
- D. 304,018 10/1989 Nomizu ..... D10/26 X
- D. 316,820 5/1991 Wada ..... D10/18 X

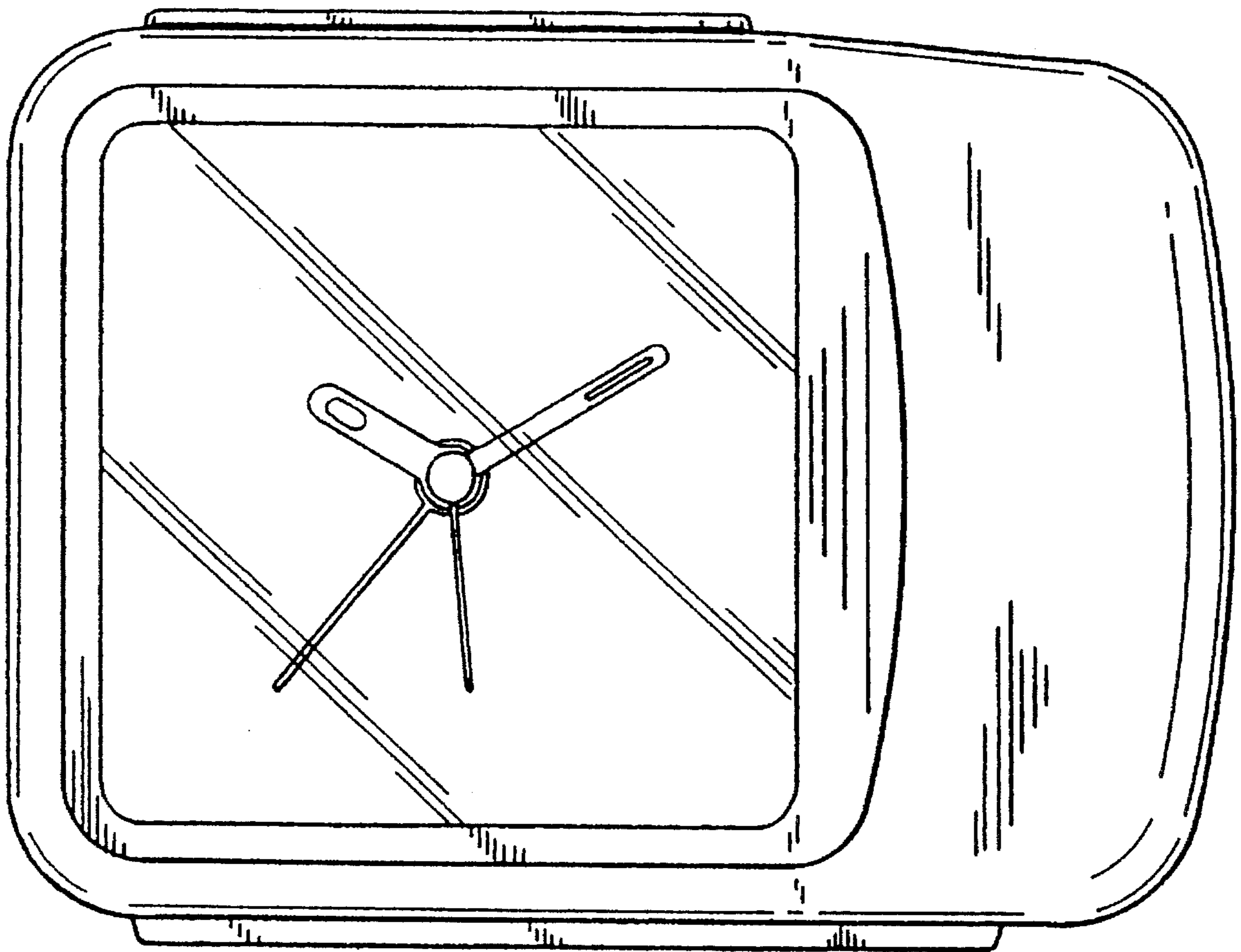


FIG. 1

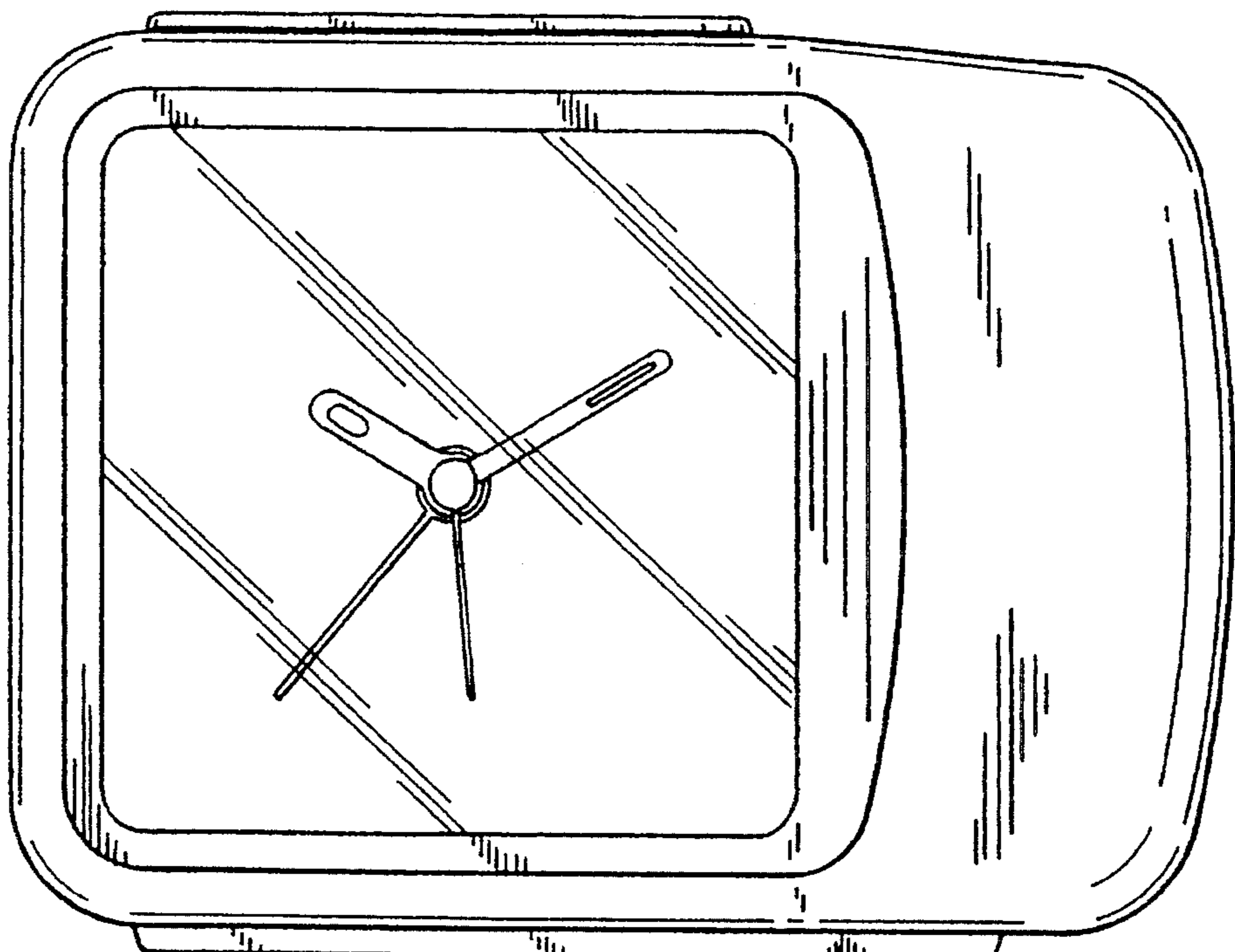


FIG. 2

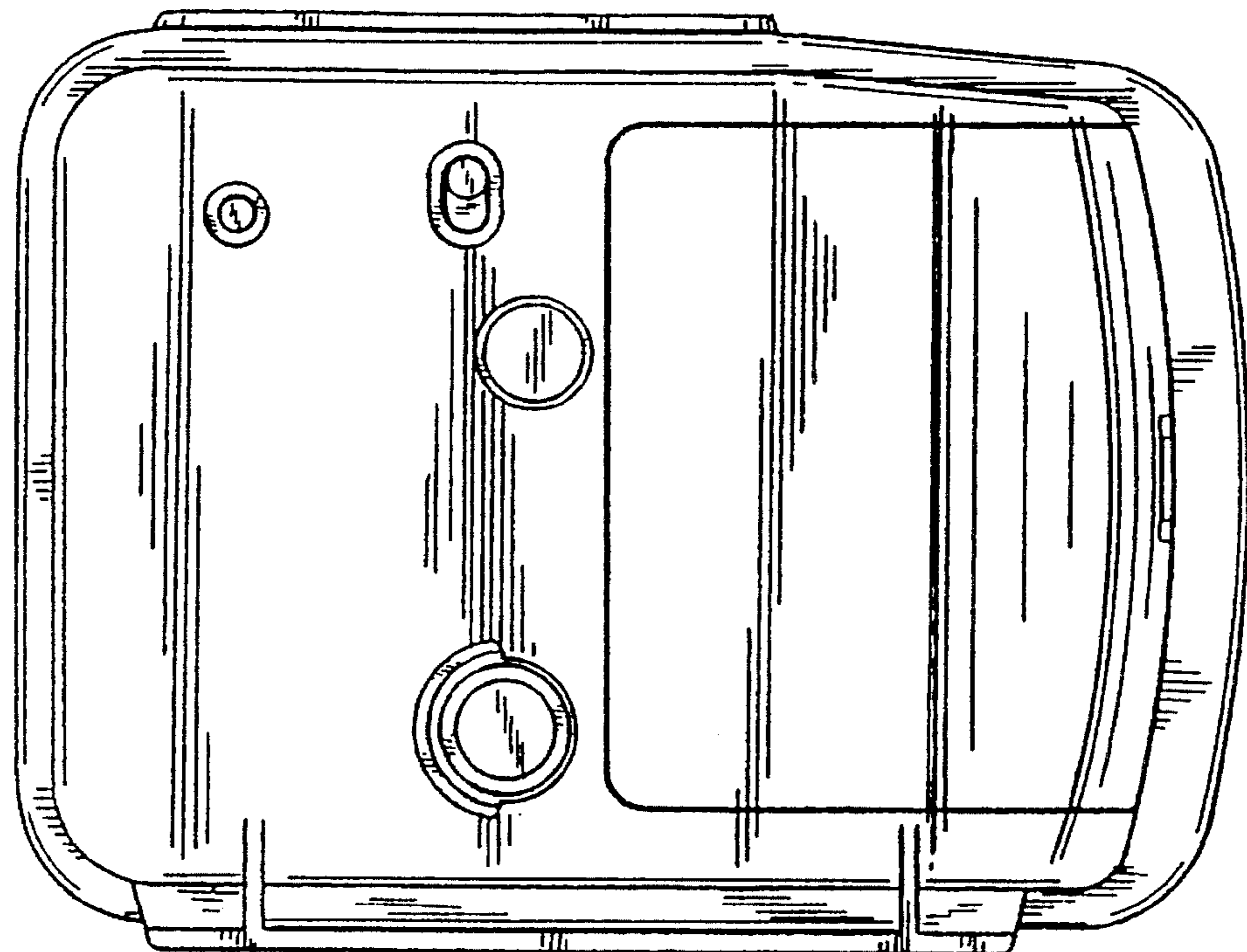


FIG. 3

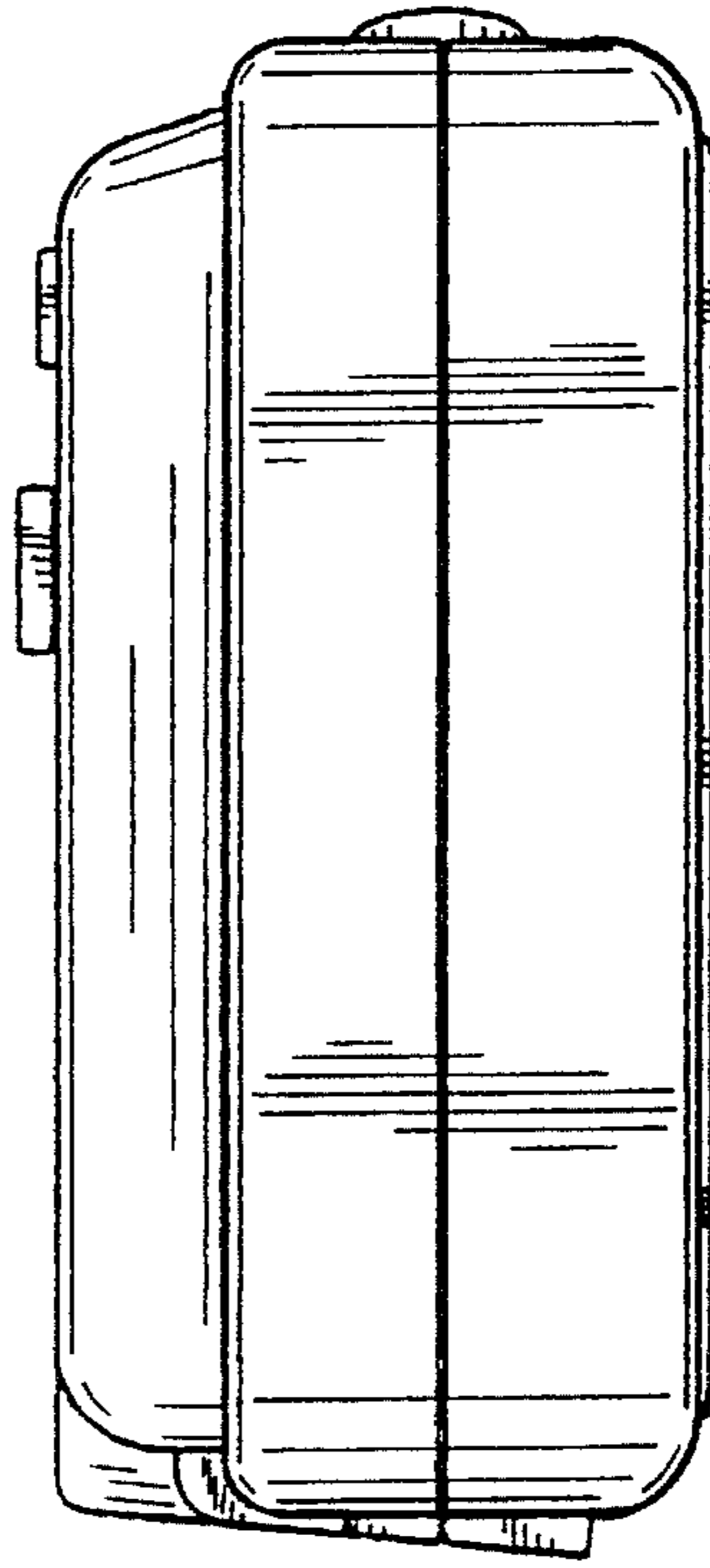


FIG. 4

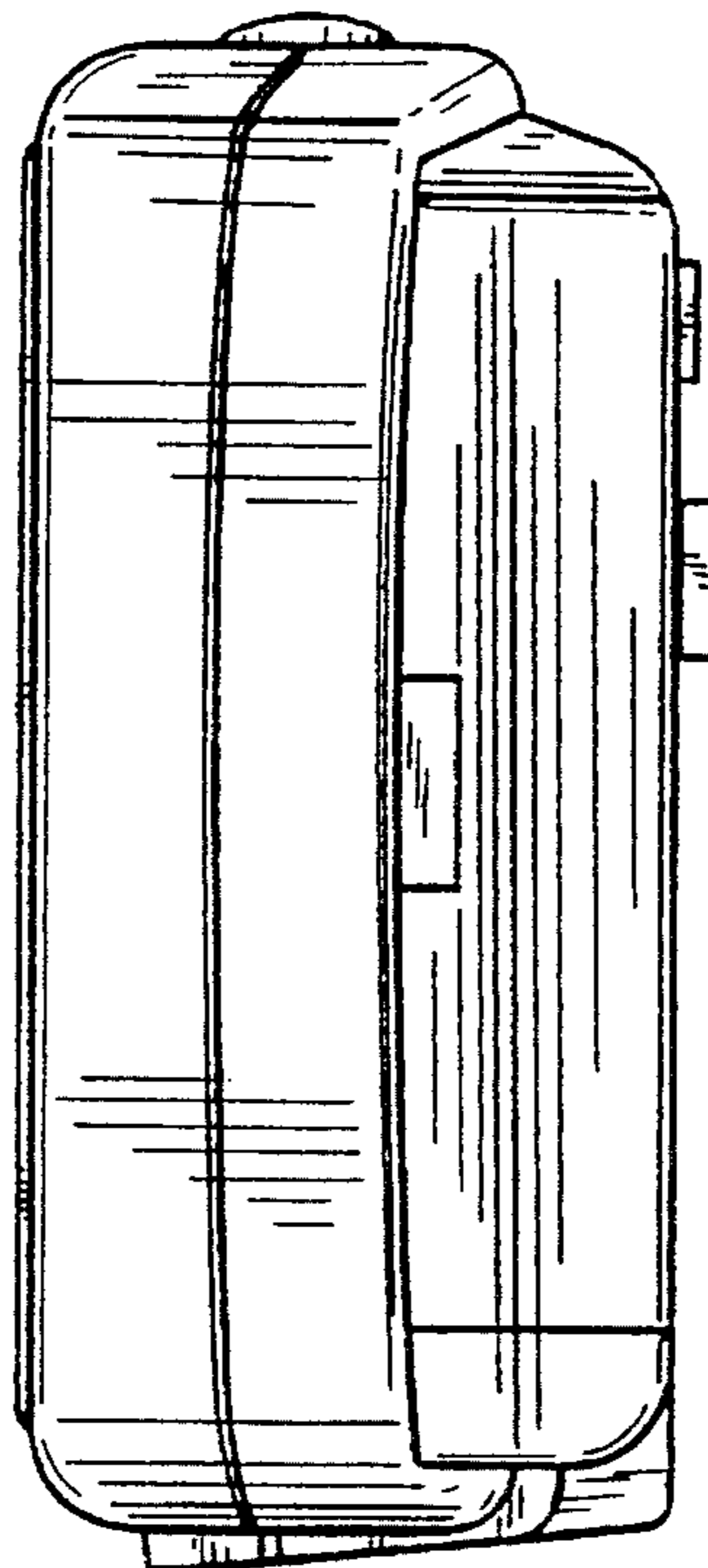


FIG. 5

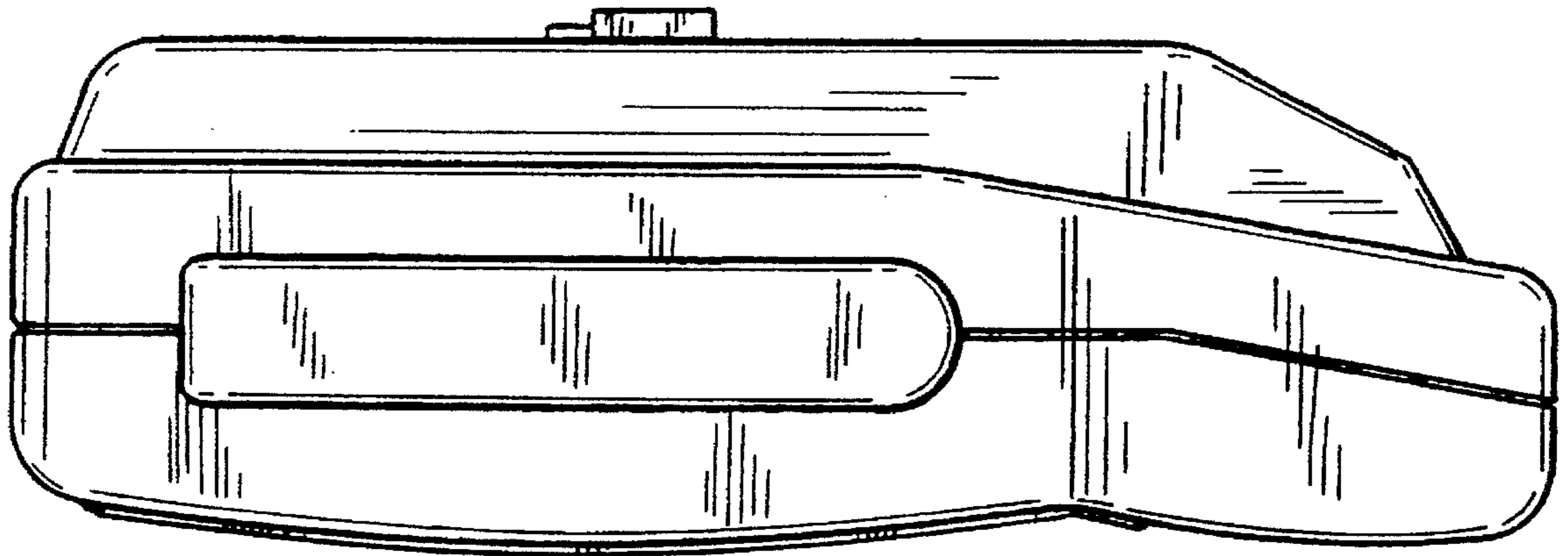


FIG. 6

