



US00D363435S

# United States Patent [19]

[11] Patent Number: **Des. 363,435**

**Wong**

[45] Date of Patent: **\*\*Oct. 24, 1995**

[54] LCD CALENDAR CLOCK

[75] Inventor: **Lai L. Wong**, Hong Kong, Hong Kong

[73] Assignee: **Ballanda Limited**, Kwai Chung, Hong Kong

[\*\*] Term: **14 Years**

[21] Appl. No.: **31,268**

[22] Filed: **Nov. 17, 1994**

[52] U.S. Cl. .... **D10/18; D10/3; D10/15**

[58] Field of Search ..... **D10/1-40, 122-132; 368/280-282, 276-277, 285, 239-242, 82-84**

### [56] References Cited

#### U.S. PATENT DOCUMENTS

D. 301,580	6/1989	Davidson	.....	D10/2 X
D. 307,723	5/1990	Chan	.....	D10/18
D. 323,463	1/1992	Tak	.....	D10/18
D. 337,950	8/1993	Davis	.....	D10/15
D. 349,299	8/1994	Fok	.....	D21/13 X

#### FOREIGN PATENT DOCUMENTS

027298	9/1993	WIPO	.....	D10/18
--------	--------	------	-------	--------

*Primary Examiner*—Nelson C. Holtje  
*Attorney, Agent, or Firm*—Beveridge, DeGrandi, Weilacher & Young

### [57] CLAIM

The ornamental design for a LCD calendar clock, as shown and described.

### DESCRIPTION

FIG. 1 is a front elevational view of a LCD calendar clock showing my new design;  
 FIG. 2 is a left side elevational view thereof;  
 FIG. 3 is a right side elevational view thereof;  
 FIG. 4 is a top elevational view thereof;  
 FIG. 5 is a bottom elevational view thereof;  
 FIG. 6 is a front elevational view thereof, with lid being in a covered position;  
 FIG. 7 is a back elevational view thereof, with lid being in a covered position;  
 FIG. 8 is a top elevational view thereof, with lid being in a covered position; and,  
 FIG. 9 is a right side elevational view thereof, with lid being in a covered position.

**1 Claim, 4 Drawing Sheets**

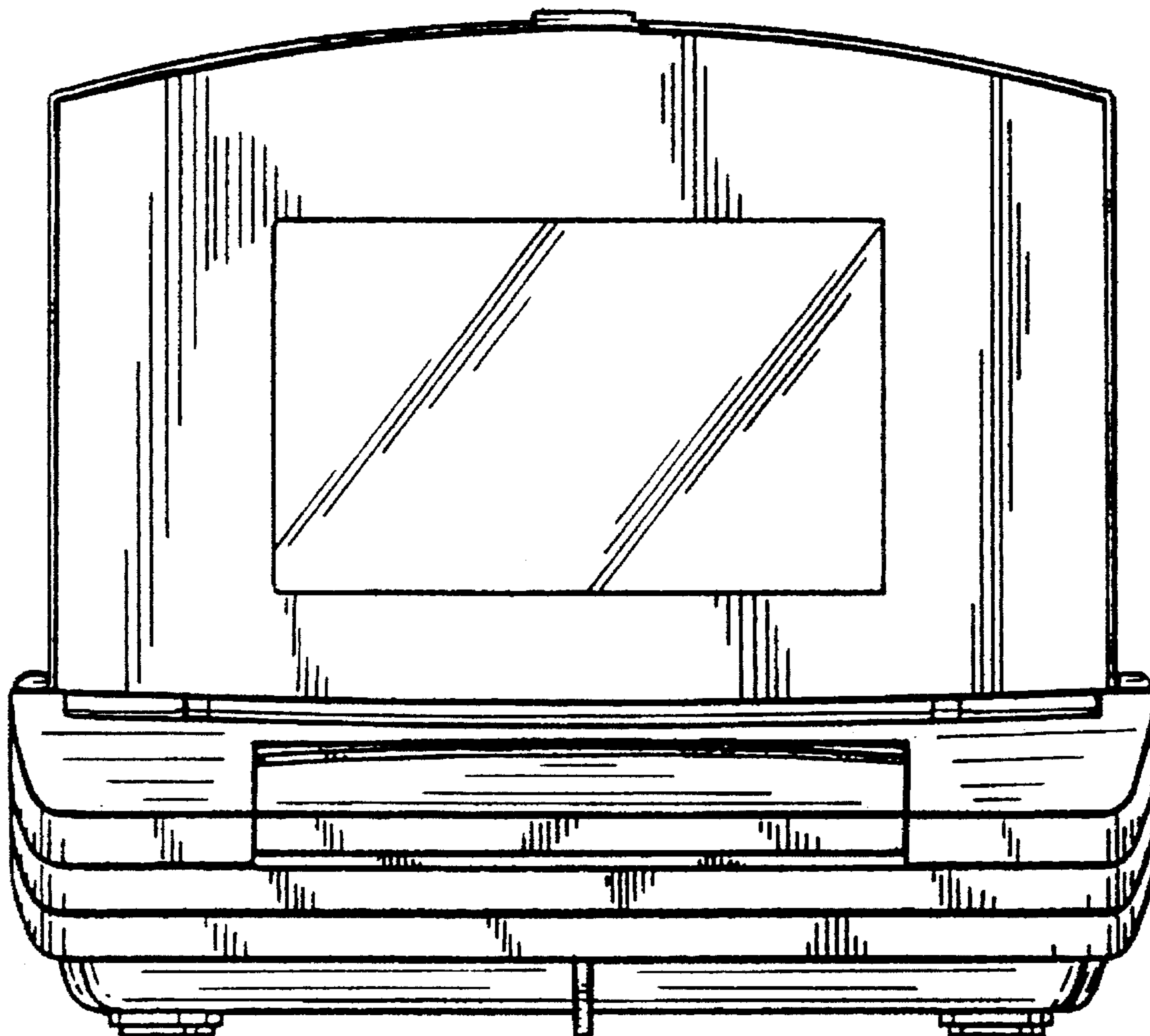


FIG. 1

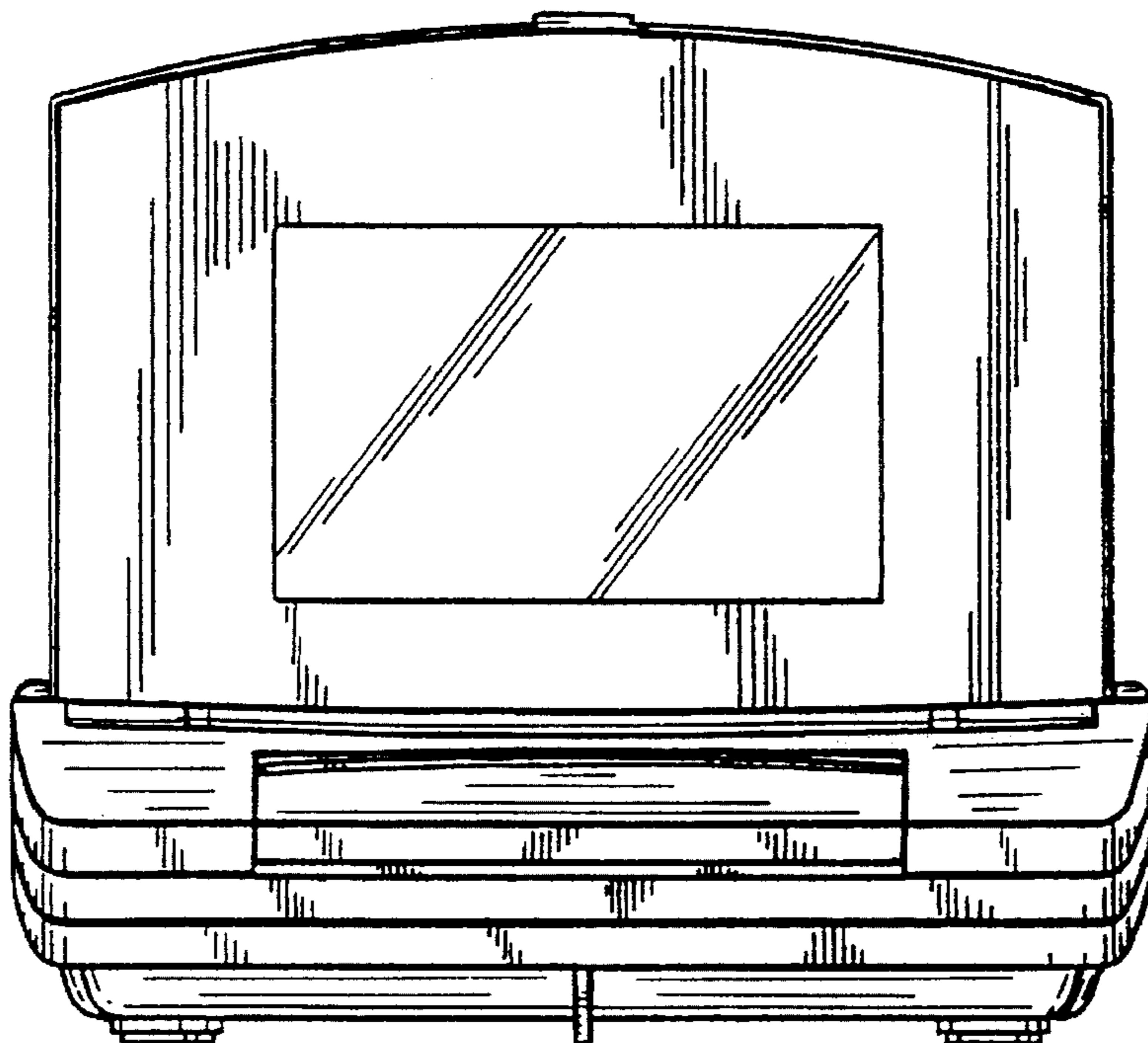


FIG. 2

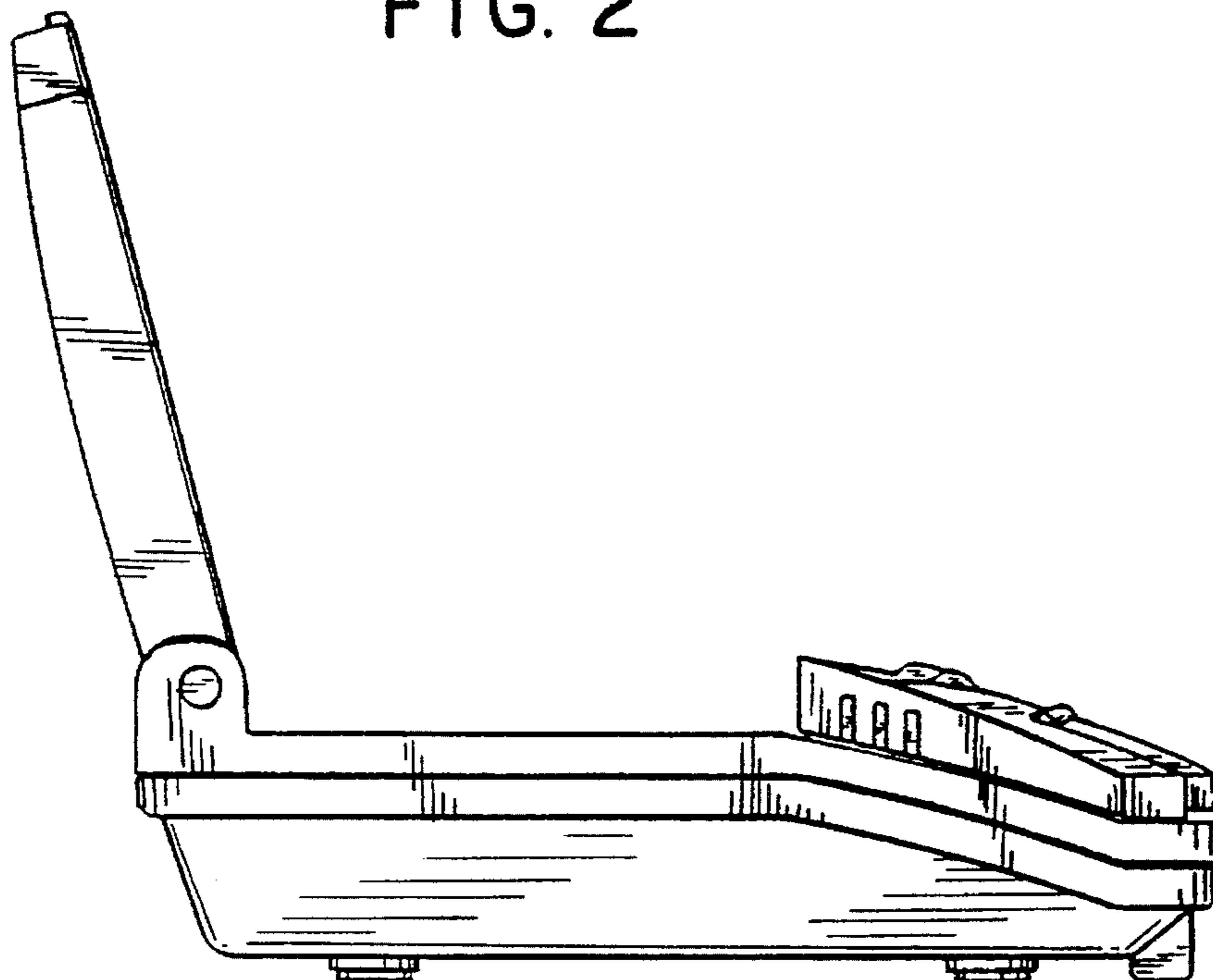


FIG. 3

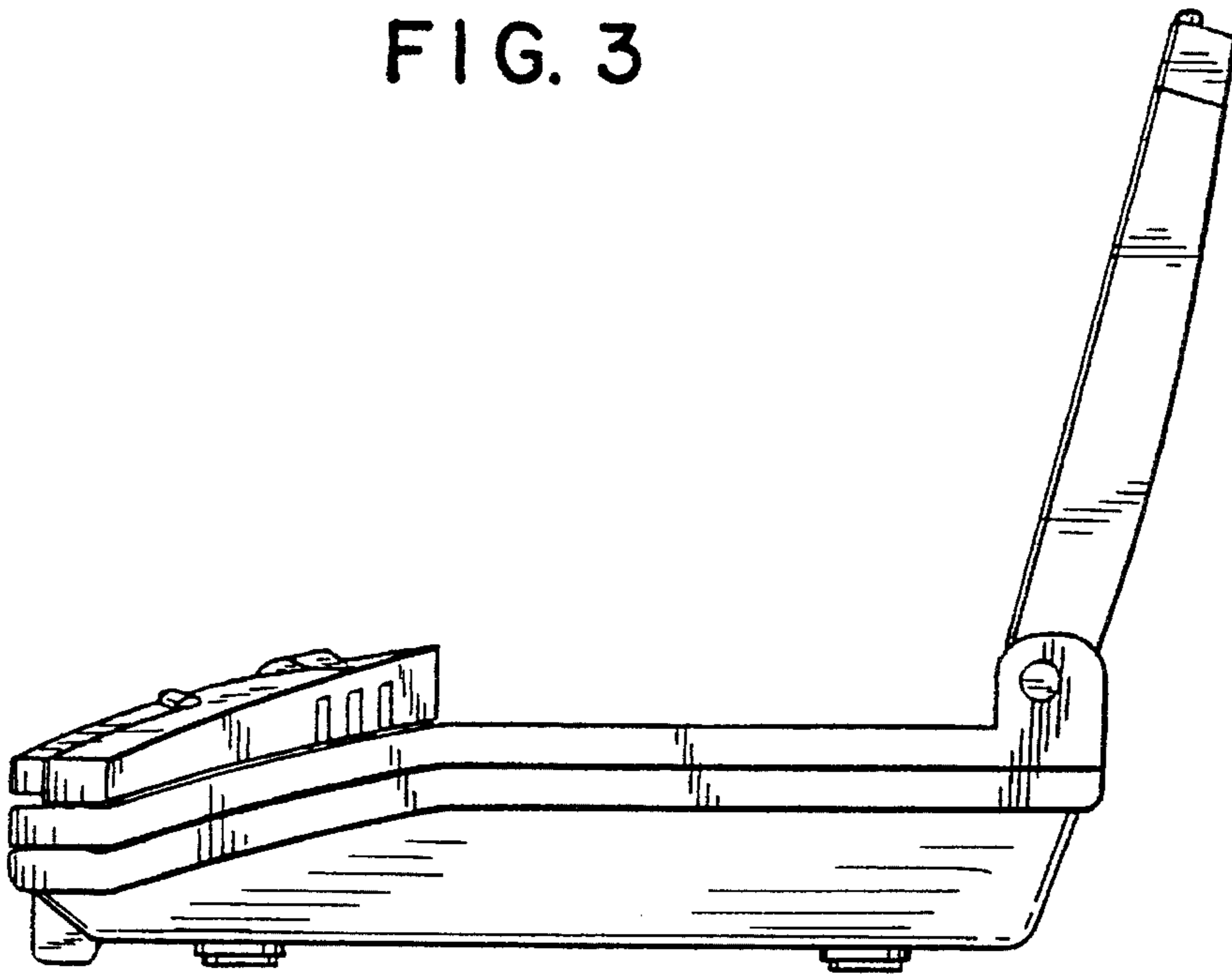


FIG. 4

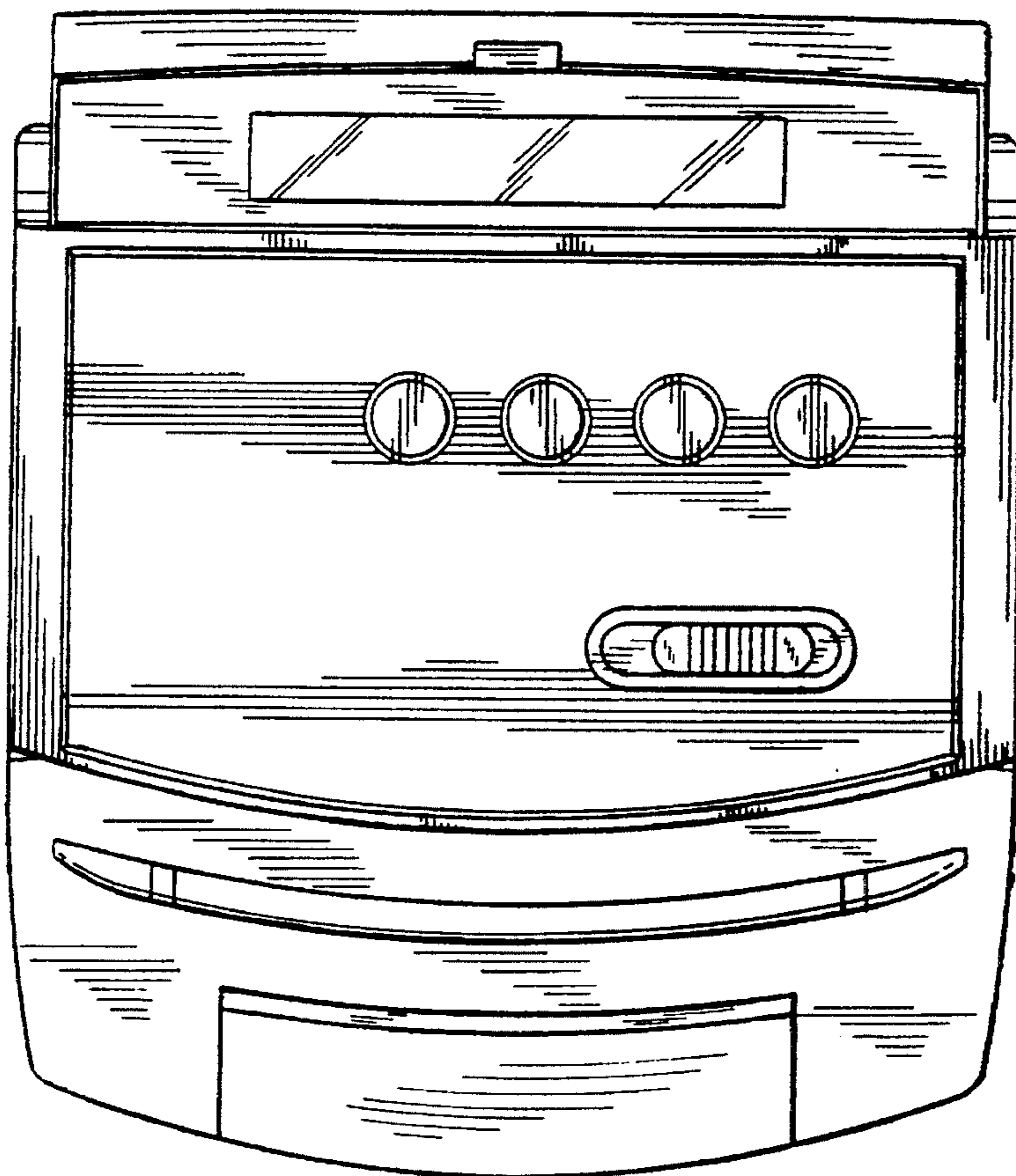


FIG. 5

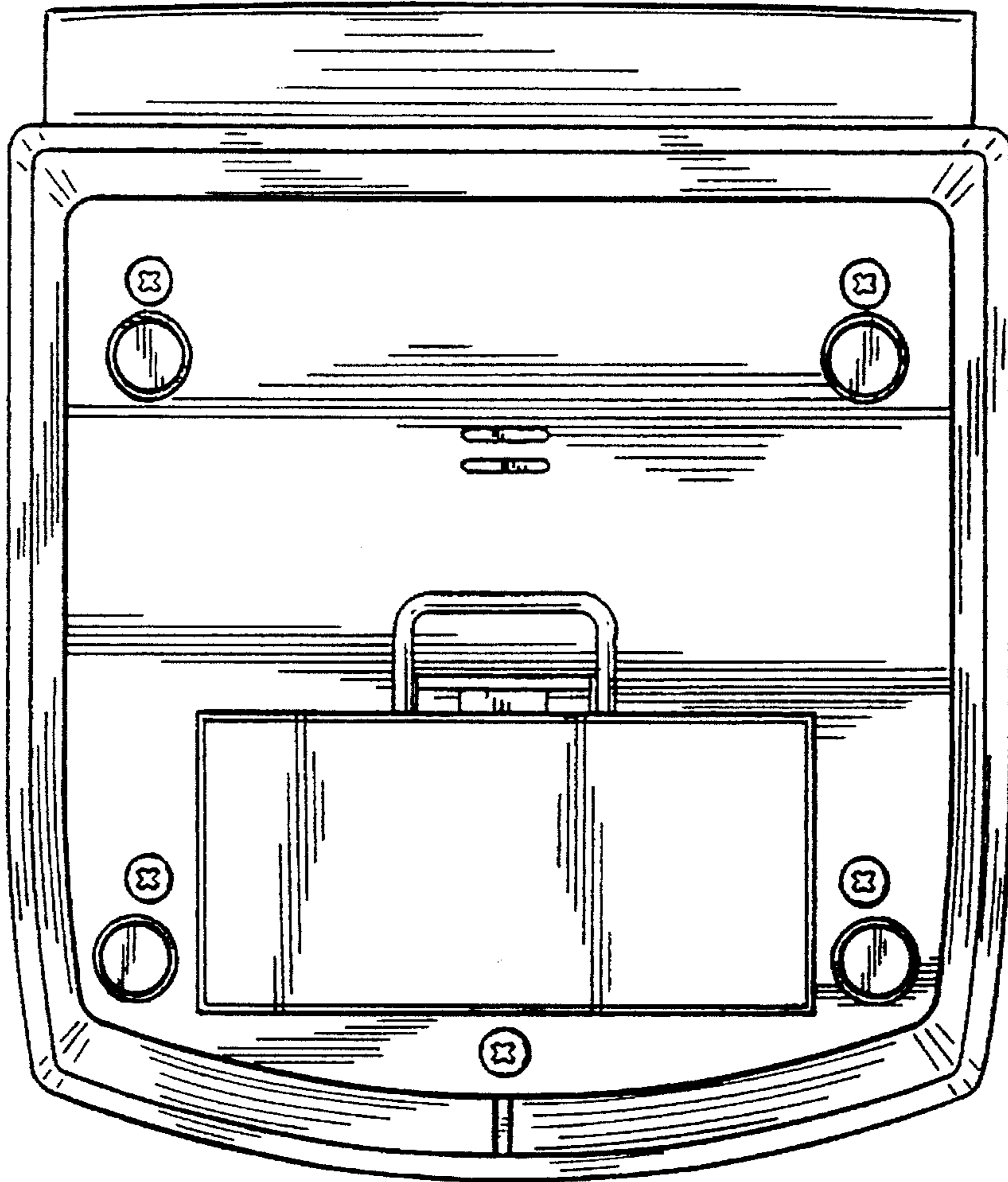


FIG. 6

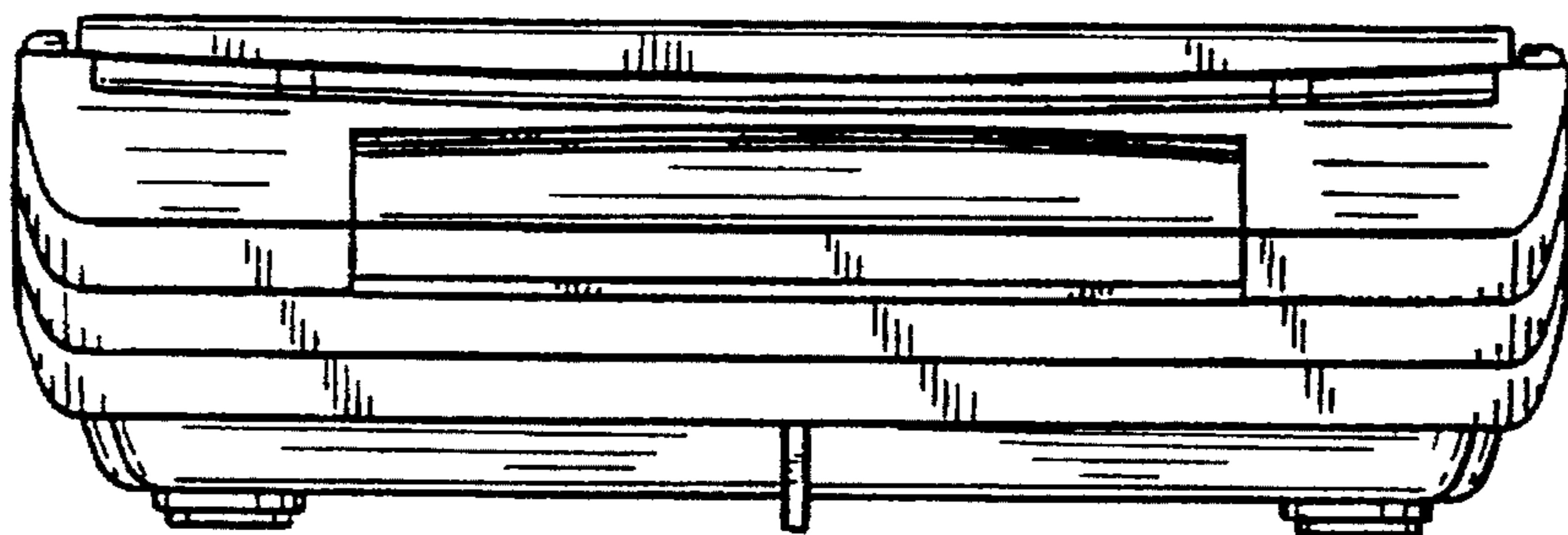


FIG. 7

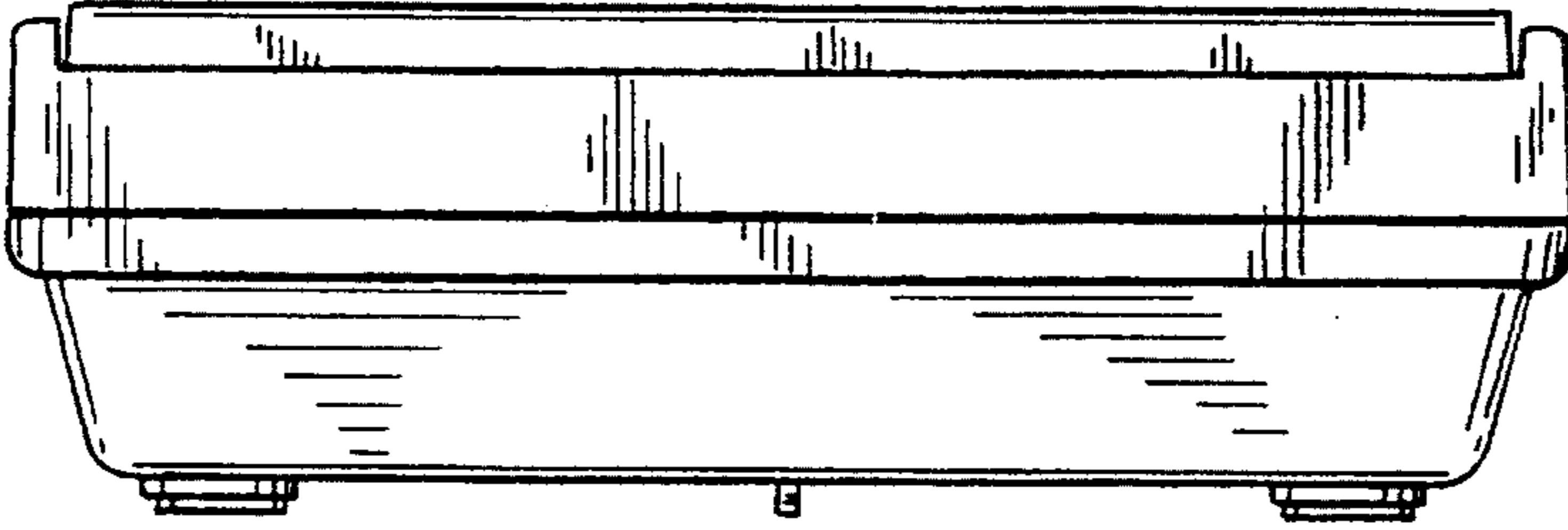


FIG. 8

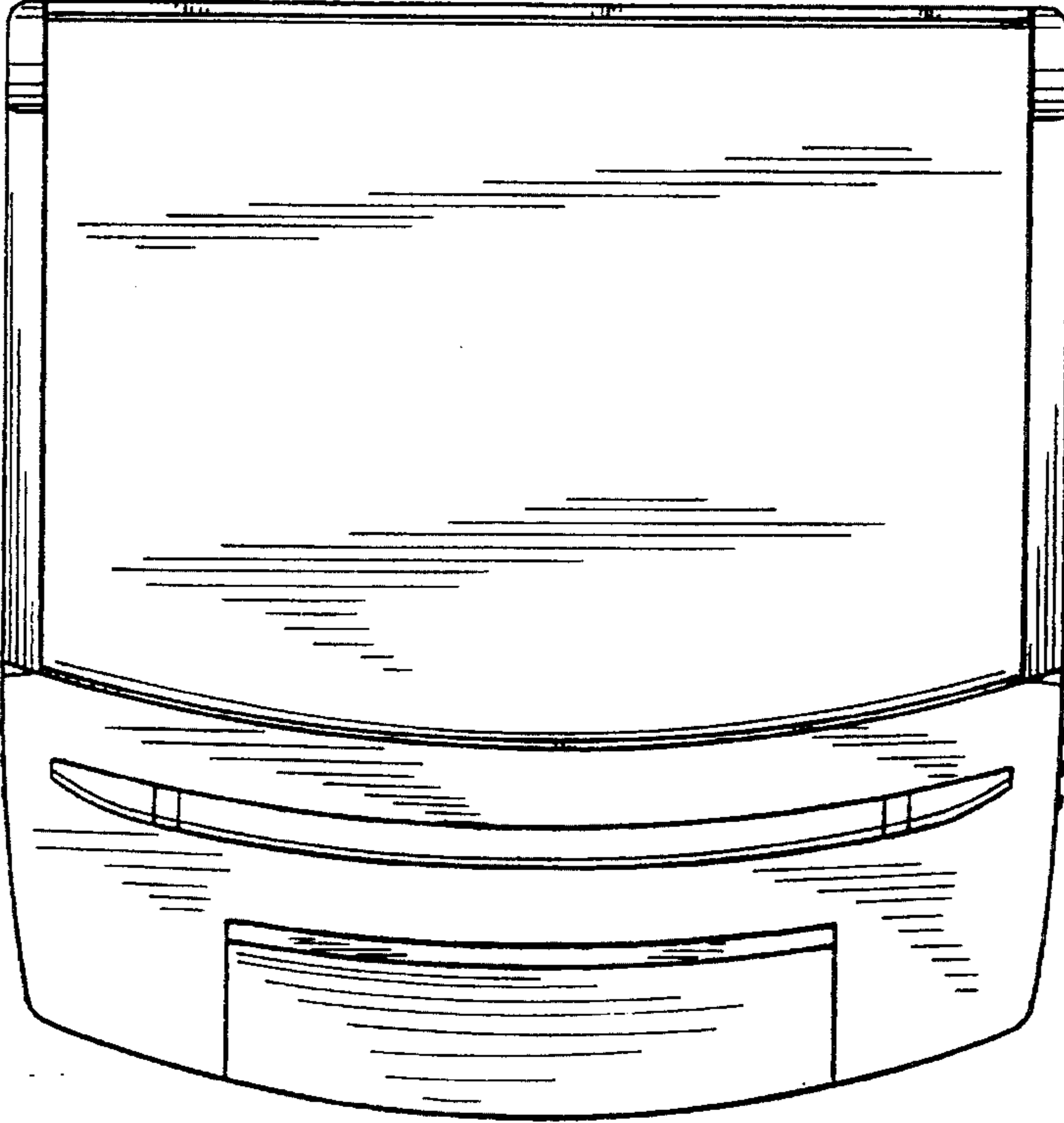


FIG. 9

