



US00D363432S

United States Patent [19]
Wong

[11] **Patent Number: Des. 363,432**

[45] **Date of Patent: **Oct. 24, 1995**

[54] **COMBINED CLOCK AND ELECTRONIC
CARD GAME HOUSING**

[75] Inventor: **Lai L. Wong**, Hong Kong, Hong Kong

[73] Assignee: **Ballanda Limited**, Kwai Chung, Hong Kong

[**] Term: **14 Years**

[21] Appl. No.: **31,266**

[22] Filed: **Nov. 17, 1994**

[52] U.S. Cl. **D10/2; D10/15; D21/13**

[58] **Field of Search** **D10/1-40, 122-132;
D21/1, 13, 37; 368/280-282, 276-277,
285, 10, 239-242, 82-84; 273/85 G, 138 A,
433-438**

[56] **References Cited**

U.S. PATENT DOCUMENTS

D. 255,551	6/1980	Hirota	D10/15
D. 260,783	9/1981	Shimasaki	D21/13
D. 269,328	6/1983	Cheung	D10/15
D. 269,501	6/1983	Sato	D21/13
D. 269,973	6/1983	Kadar	D21/13
D. 289,380	4/1987	Lee	D10/18 X
D. 306,463	3/1990	Chiba	210/13
D. 307,723	5/1990	Chan	D10/15
D. 334,218	3/1993	Lee	D21/13
D. 349,929	8/1994	Lee	D21/13
D. 353,631	12/1994	Dudley	D21/13
4,341,383	7/1982	Reichert	273/85 G X
5,139,423	8/1992	McCormack	273/434 X

OTHER PUBLICATIONS

Hong Kong Enterprise—Jun. 1984—p. 168—Temp/Alarm Clock at top right.

Primary Examiner—Nelson C. Holtje
Attorney, Agent, or Firm—Beveridge, DeGrandi, Weilacher & Young

[57] **CLAIM**

The ornamental design for a combined clock and electronic card game housing, as shown and described.

DESCRIPTION

FIG. 1 is a front elevational view of a combined clock and electronic card game housing showing my new design; FIG. 2 is a back elevational view thereof; FIG. 3 is a left side elevational view thereof; FIG. 4 is a right side elevational view thereof; FIG. 5 is a top elevational view thereof; FIG. 6 is a bottom elevational view thereof; FIG. 7 is a front elevational view thereof, with lid being in a covered position; FIG. 8 is a back elevational view thereof, with lid being in a covered position; FIG. 9 is a left side elevational view thereof, with lid being in a covered position; FIG. 10 is a right side elevational view thereof, with lid being in a covered position; FIG. 11 is a top elevational view thereof, with lid being in a covered position; and, FIG. 12 is a bottom elevational view thereof, with lid being in a covered position.

1 Claim, 8 Drawing Sheets

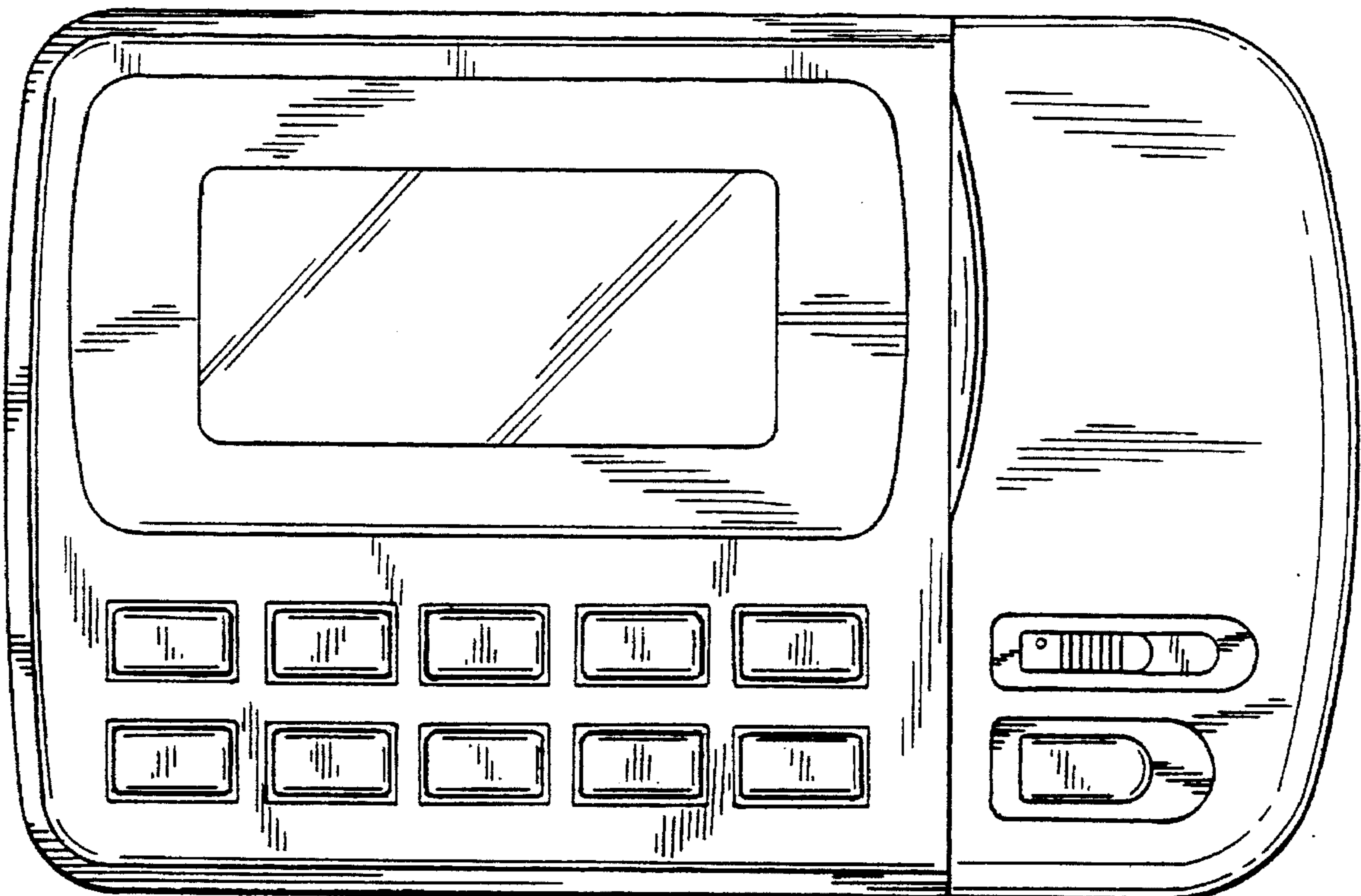


FIG. 1

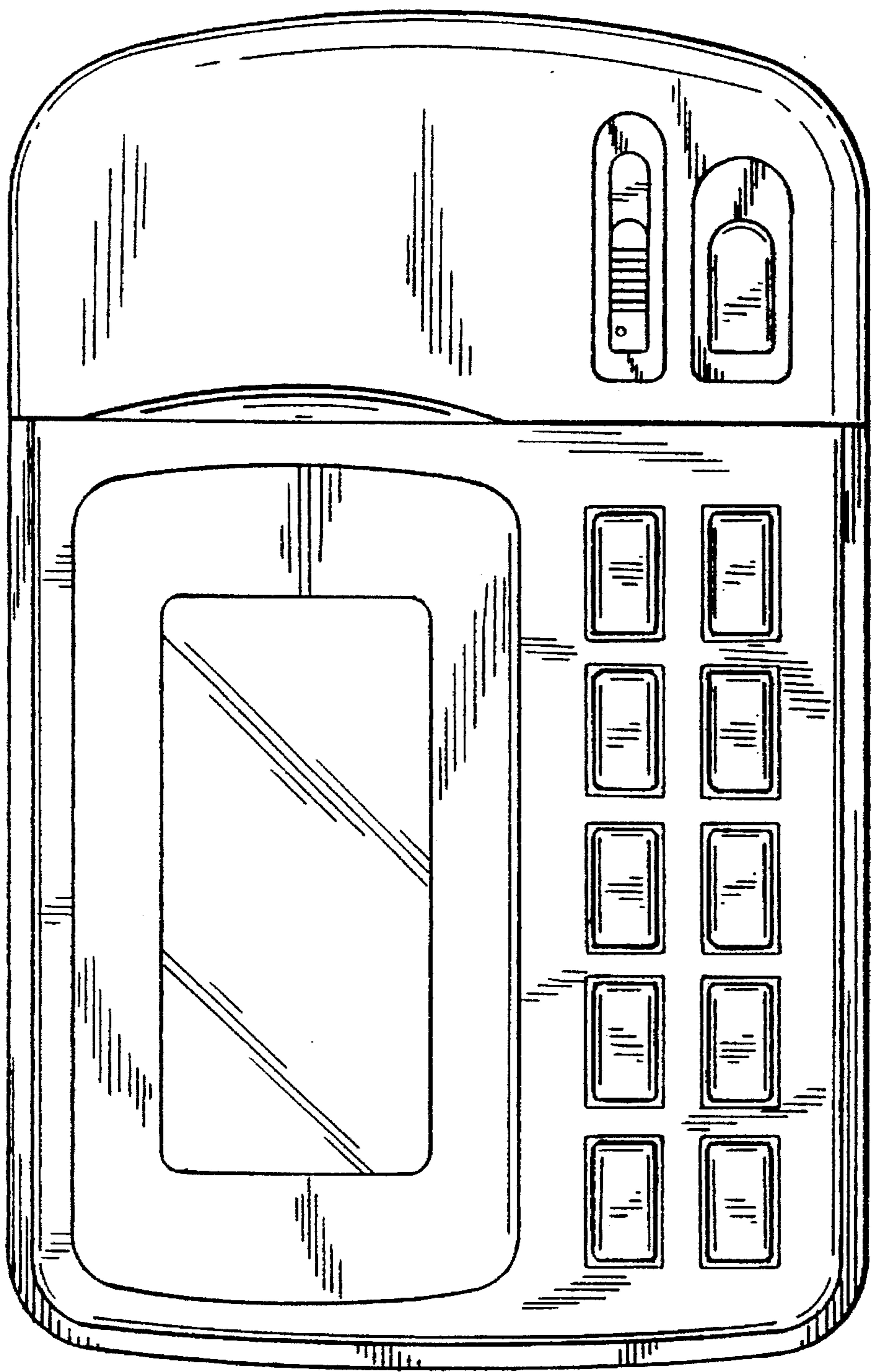


FIG. 2

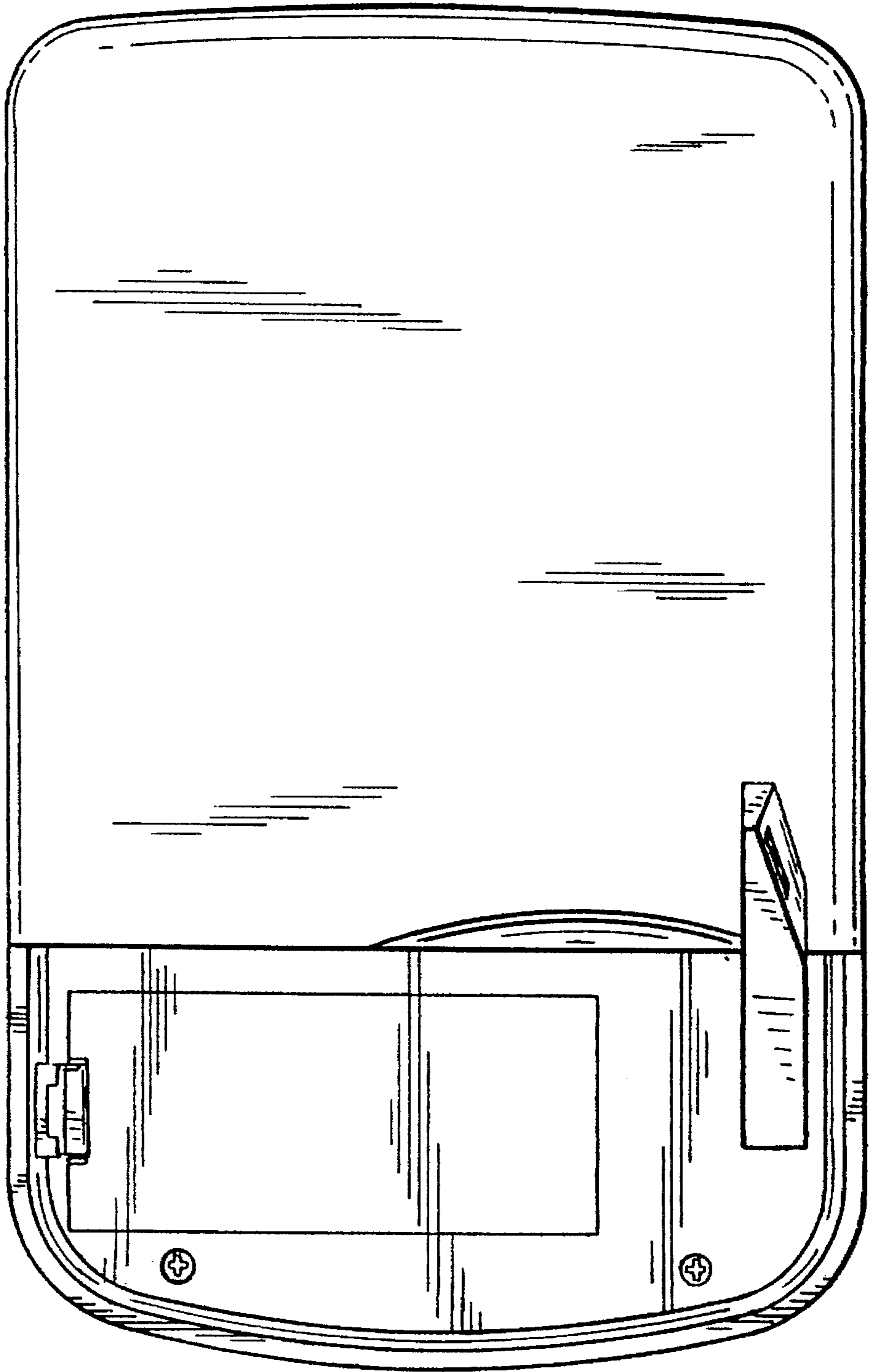


FIG. 4

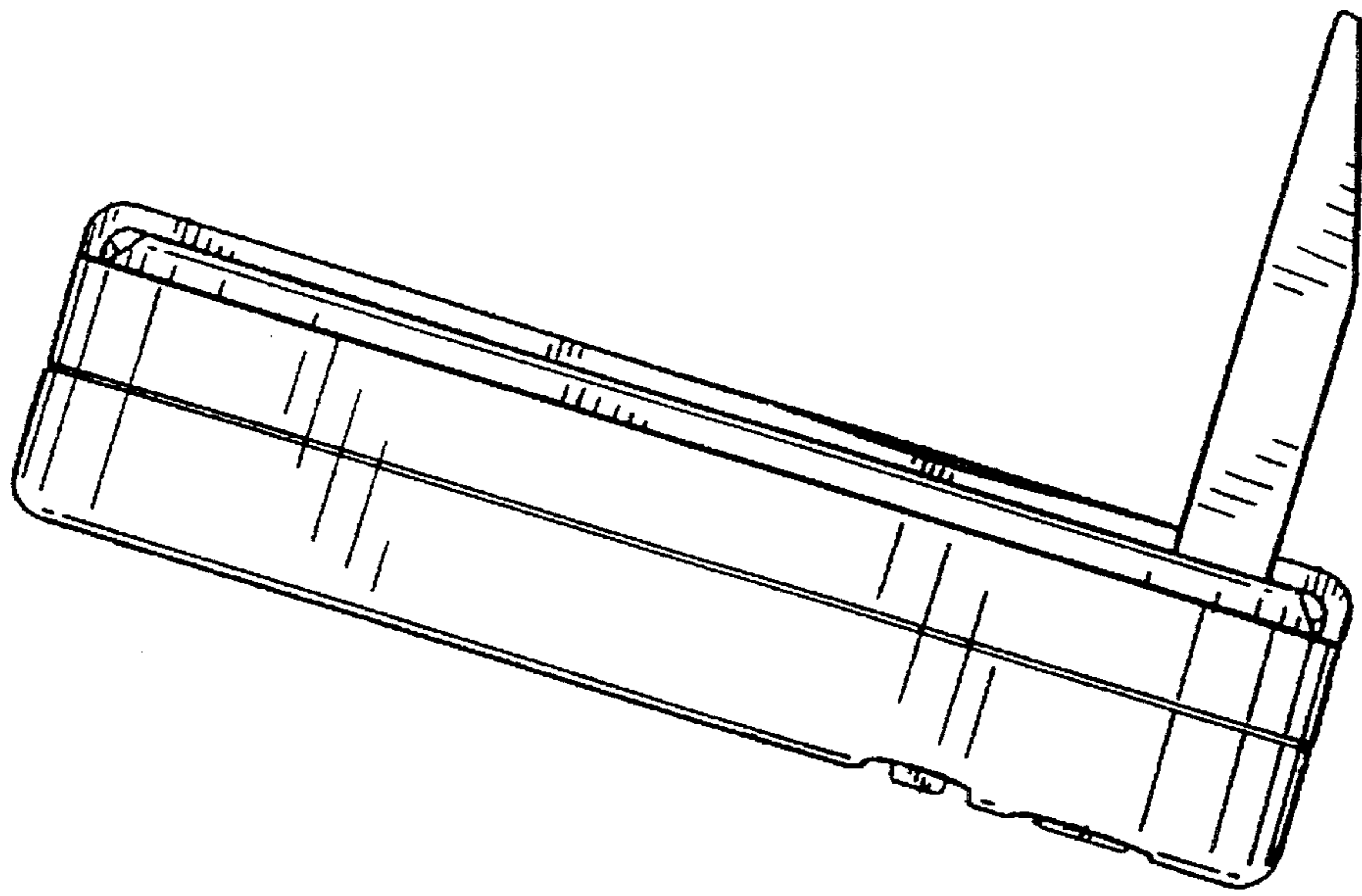


FIG. 3

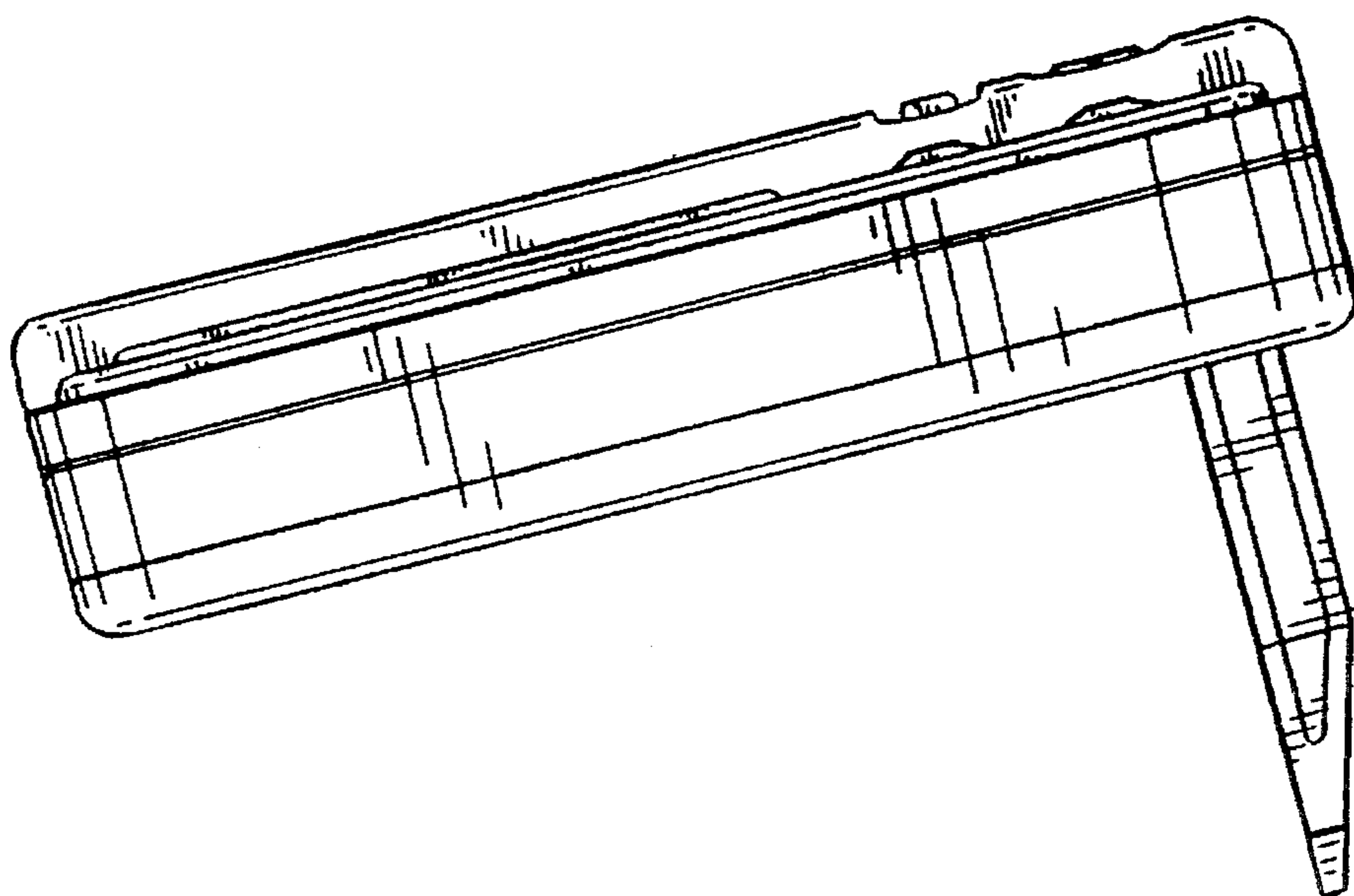


FIG. 5

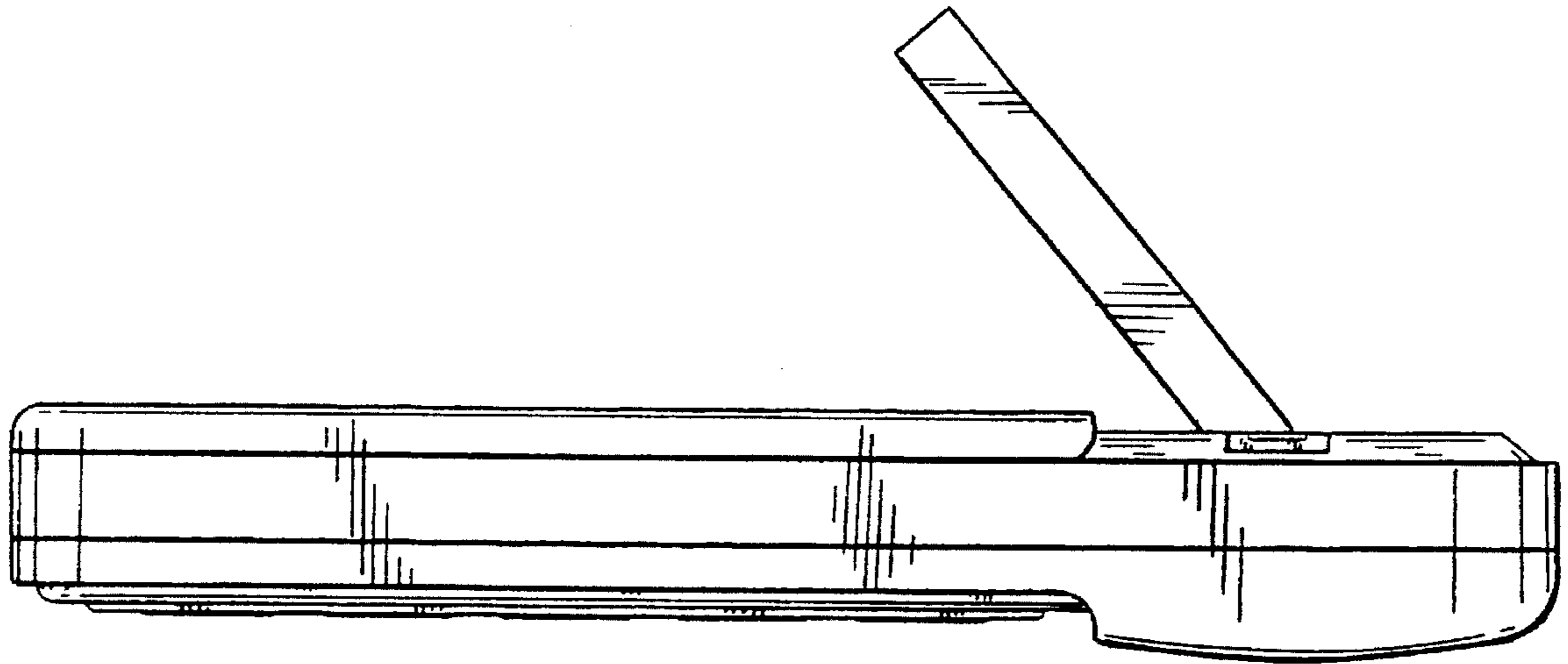


FIG. 6

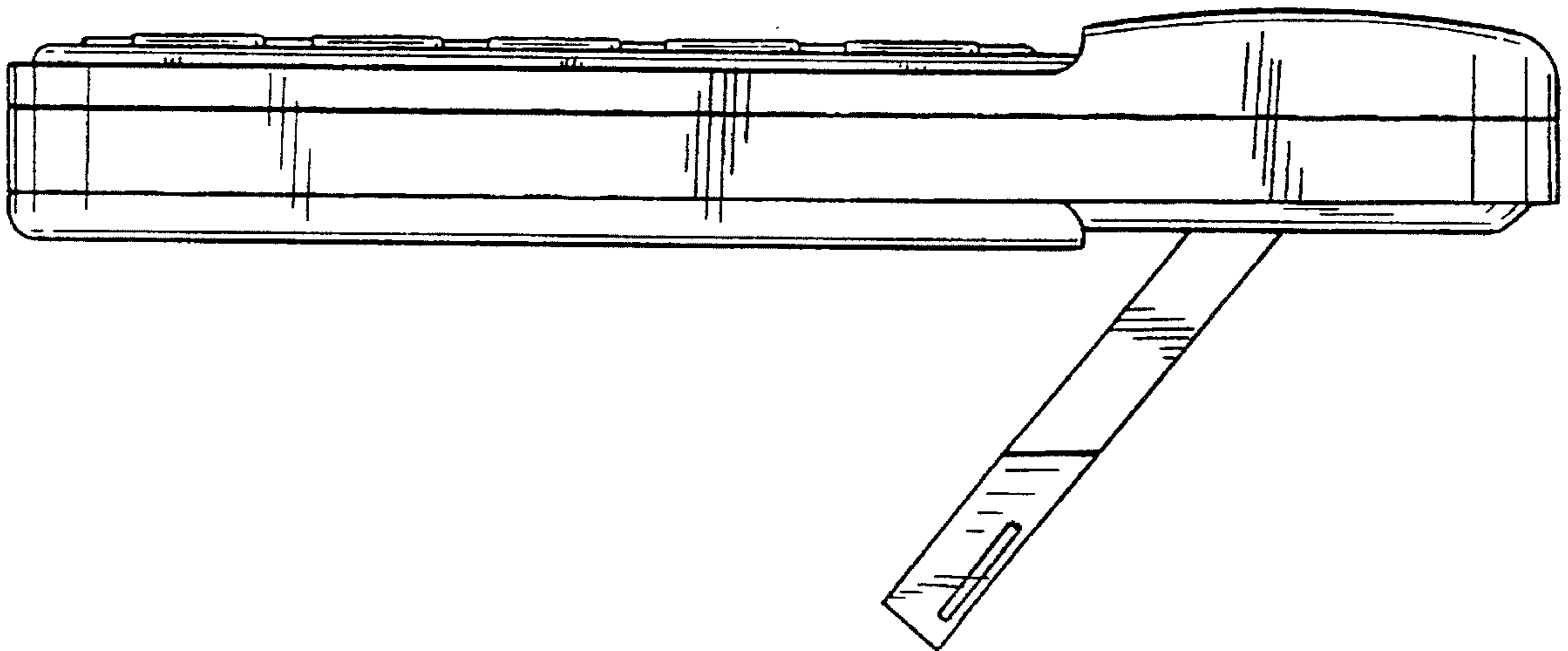


FIG. 7

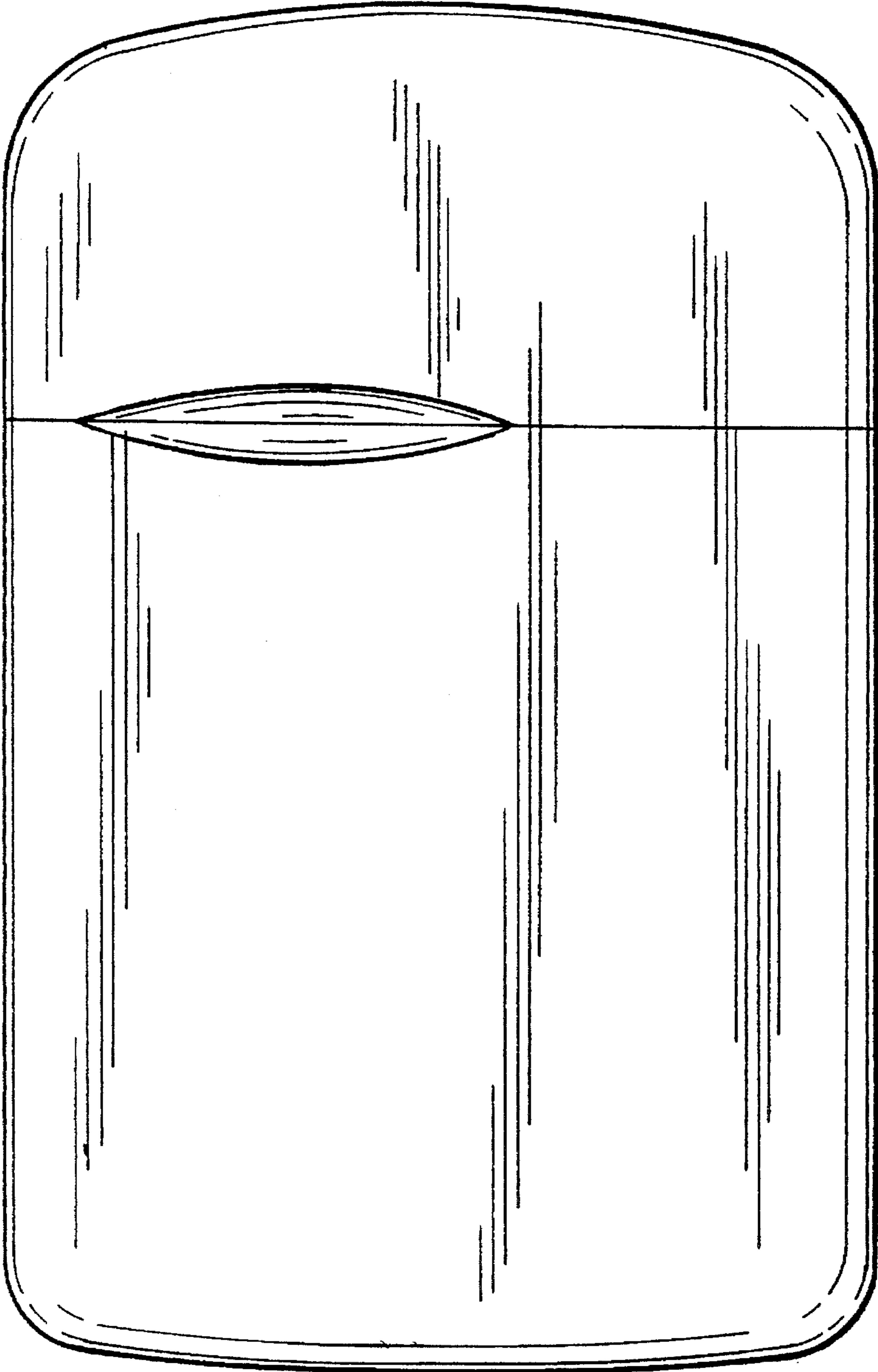


FIG. 8

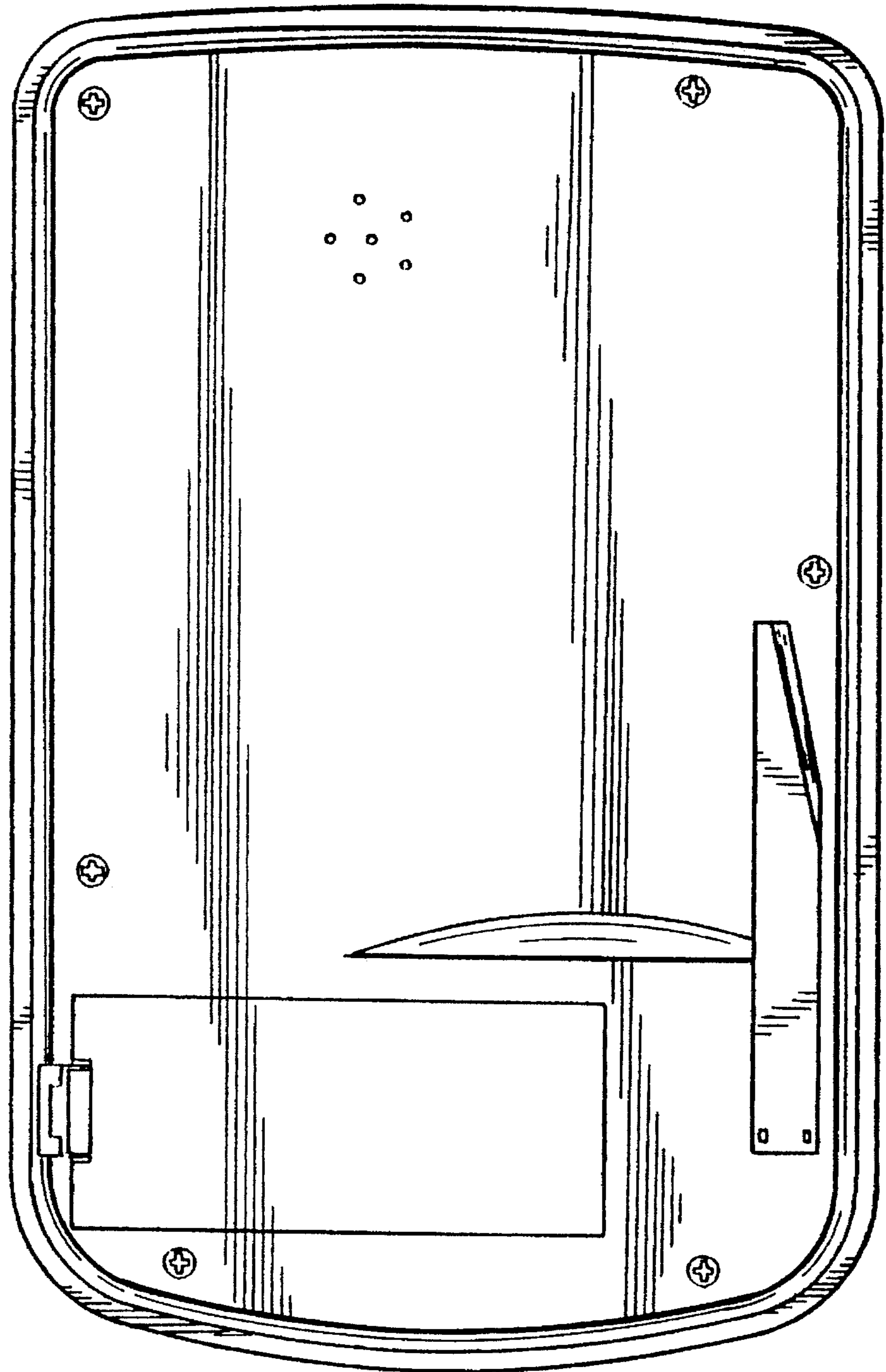


FIG. 10

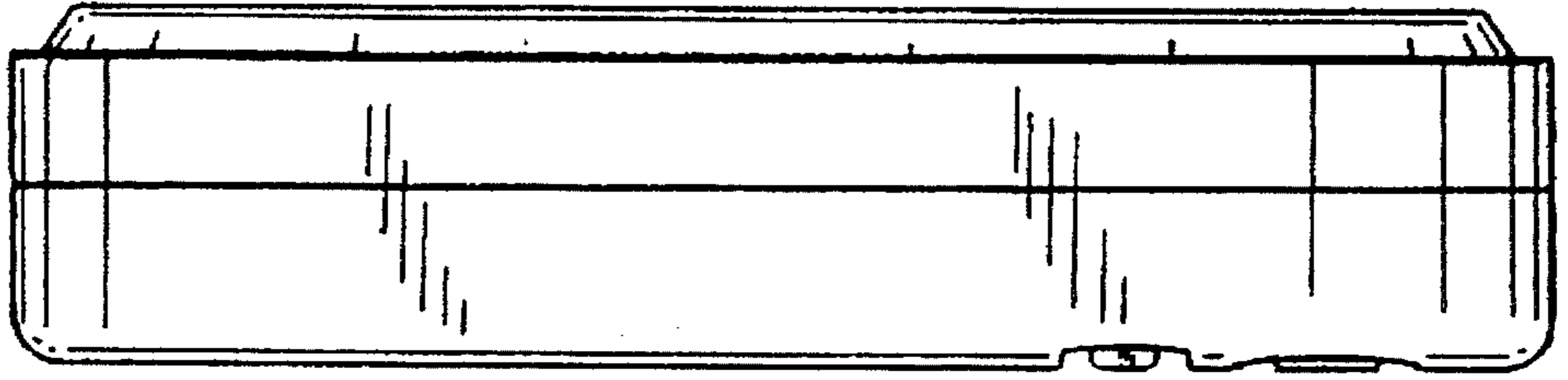


FIG. 9

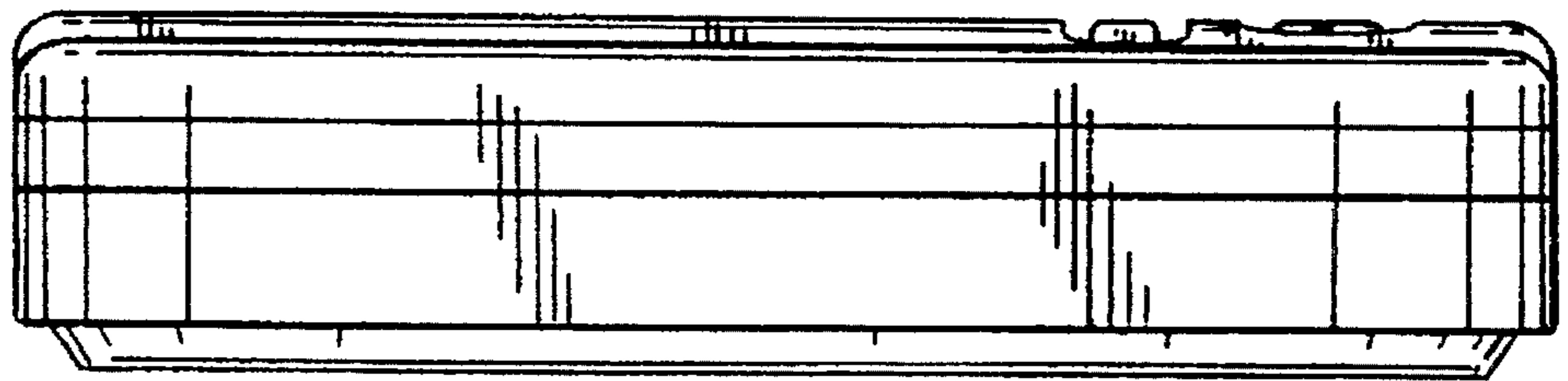


FIG. 11

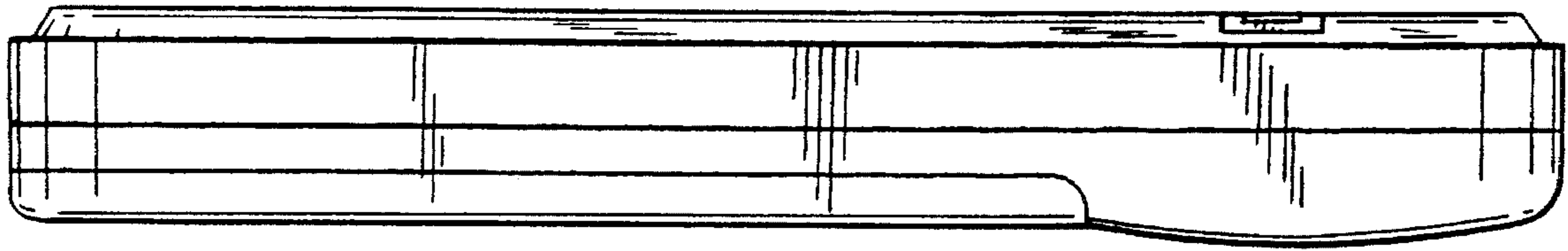


FIG. 12

