



US00D363429S

United States Patent [19]

[11] Patent Number: **Des. 363,429**

Lee

[45] Date of Patent: ****Oct. 24, 1995**

[54] **COVER FOR CONTAINERIZED PRINTER'S INK**

5,339,981 8/1994 Kral 220/227

OTHER PUBLICATIONS

[76] Inventor: **William Lee**, 221 N. Hutchinson, Spokane, Wash. 99212

Top left image of first page of foreign (assumed British) Patent No. 26,063, Nov. 1906.

[**] Term: **14 Years**

Primary Examiner—Alan P. Douglas
Assistant Examiner—Robert M. Spear
Attorney, Agent, or Firm—Keith S. Bergman

[21] Appl. No.: **19,420**

[22] Filed: **Mar. 1, 1994**

[52] U.S. Cl. **D9/454**

[58] Field of Search D9/434-455, 499;
4/293; 215/231; 220/221-222, 227, 578;
222/386

[57] CLAIM

The ornamental design for cover for containerized printer's ink, as shown and described.

DESCRIPTION

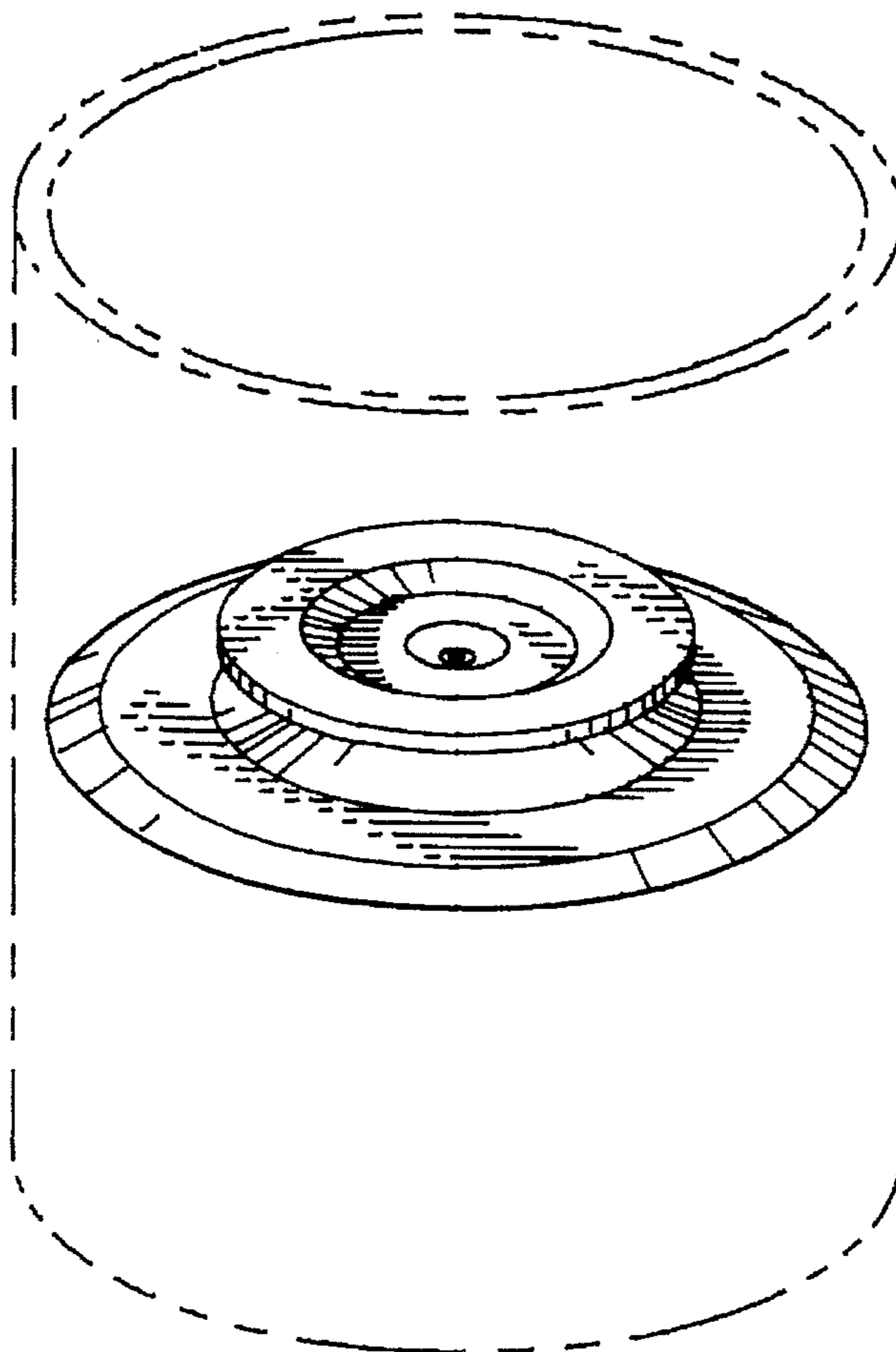
[56] References Cited

U.S. PATENT DOCUMENTS

1,912,312	5/1933	Schacht	4/293
3,784,051	1/1974	Shaw et al.	220/93
3,924,774	12/1975	Donnelly	220/93
3,987,941	10/1976	Blessing	222/386
4,625,883	12/1986	Burke et al.	220/93
4,723,674	2/1988	Nunes	215/231
4,764,391	10/1988	Wasserman et al.	426/433
4,836,405	6/1989	Schultz et al.	220/93
4,874,108	10/1989	Valasek	220/93
5,188,253	2/1993	Poore et al.	220/212
5,249,692	10/1993	Gunderson	220/578

FIG. 1 is a perspective view of my cover for containerized printer's ink showing my new design in use, the broken lines partially showing an ink can being for illustrative purposes only and forming no part of the design;
FIG. 2 is a perspective view of my cover;
FIG. 3 is a top plan view of FIG. 2;
FIG. 4 is a bottom plan view of FIG. 2.
FIG. 5 is a side view of FIG. 2, all other side views being identical thereto; and,
FIG. 6 is a diametrical cross-sectional view of FIG. 1, all diametrical cross-sectional views being identical thereto.

1 Claim, 2 Drawing Sheets



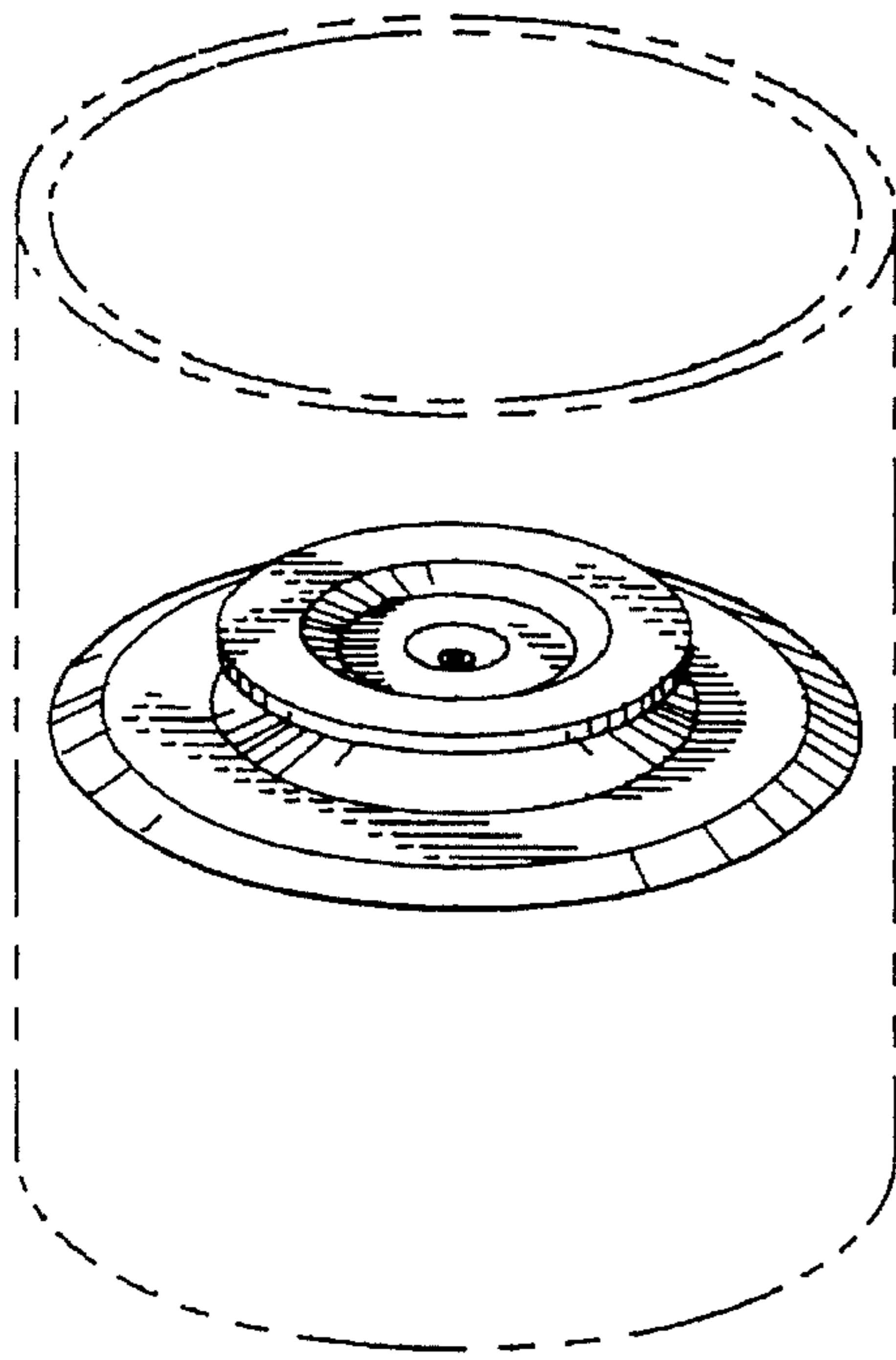


FIG. 1

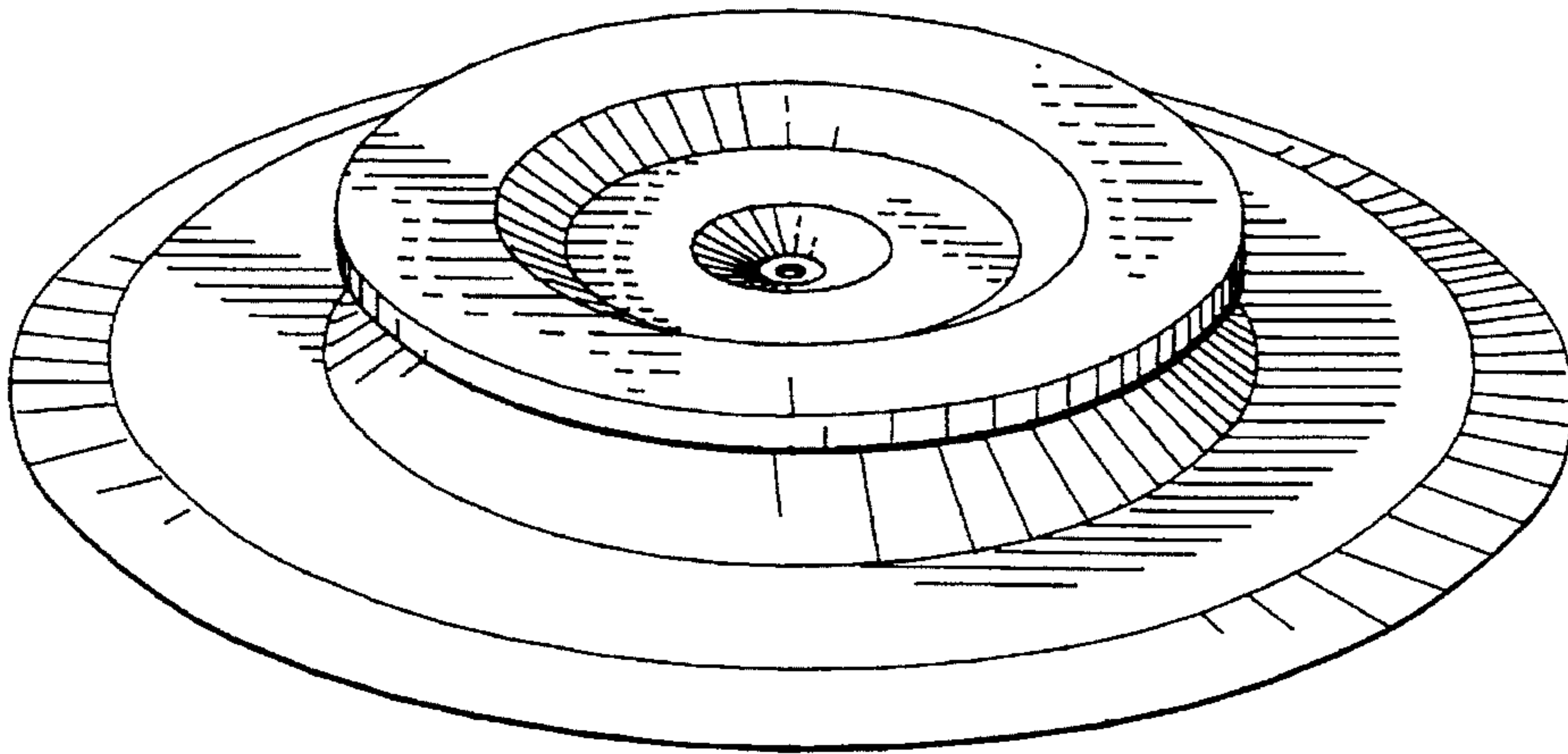


FIG. 2

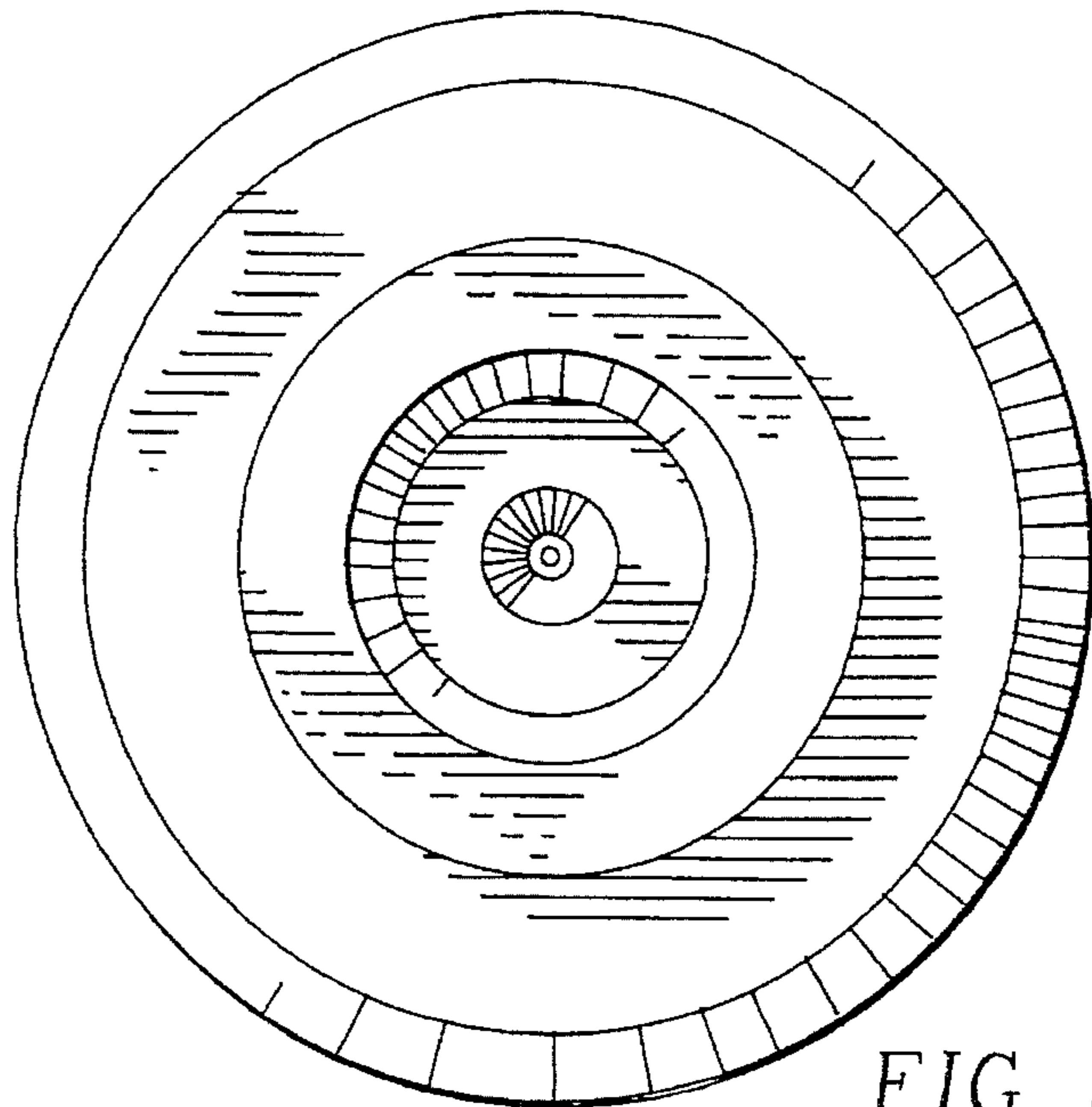


FIG. 3

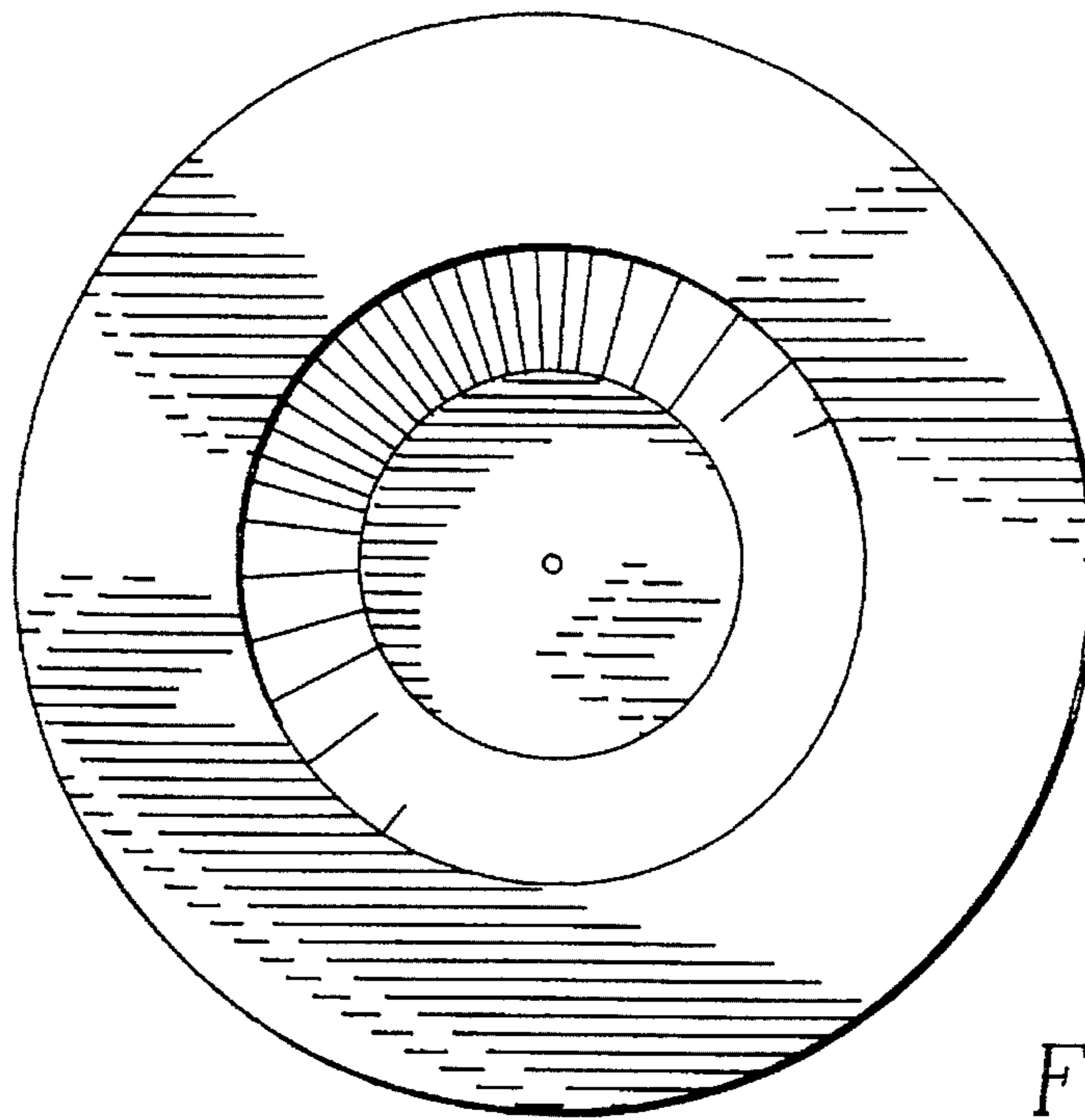


FIG. 4

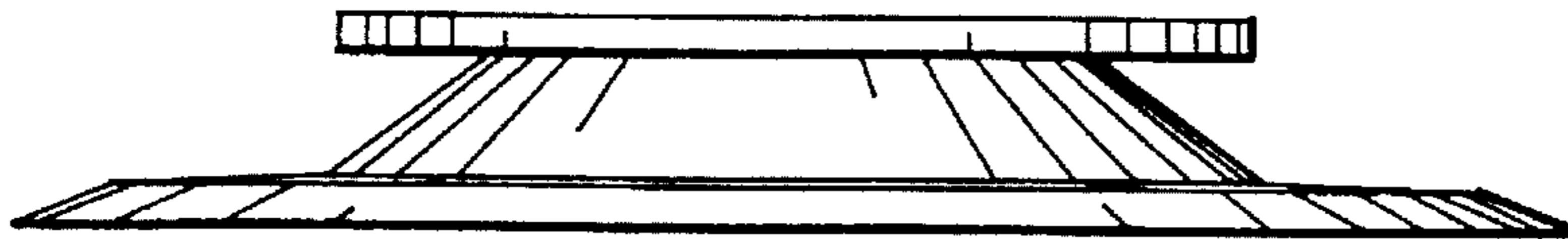


FIG. 5

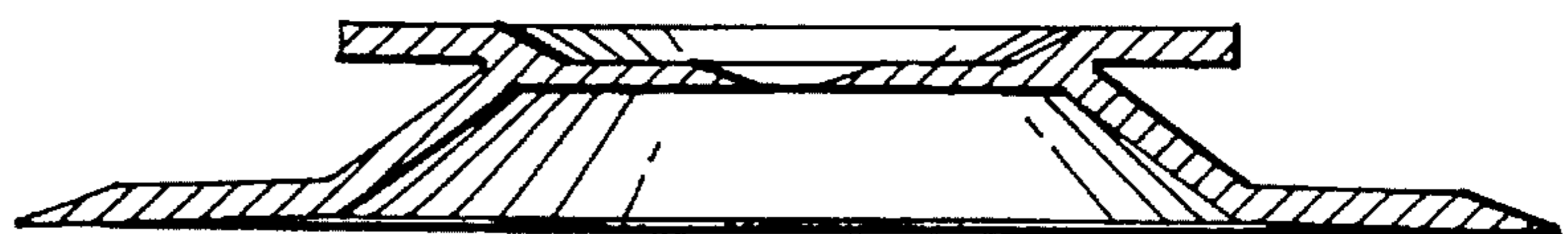


FIG. 6