



US00D363428S

# United States Patent [19] Halm

[11] Patent Number: **Des. 363,428**

[45] Date of Patent: **\*\*Oct. 24, 1995**

[54] **TOOTHPASTE TUBE**

[75] Inventor: **Hans Halm**, Herne, Germany

[73] Assignee: **Lingner + Fischer GmbH**, Baden, Germany

[\*\*] Term: **14 Years**

[21] Appl. No.: **702,680**

[22] Filed: **May 20, 1991**

[30] **Foreign Application Priority Data**

Nov. 22, 1990 [GB] United Kingdom ..... 2011229

[52] **U.S. Cl.** ..... **D9/302**

[58] **Field of Search** ..... D9/302, 305, 306,  
D9/307, 435, 529, 432; 206/277; 229/213,  
214; 222/92, 107

[56] **References Cited**

**U.S. PATENT DOCUMENTS**

D. 136,477	10/1943	Roselle	.....	D9/302
D. 242,022	10/1976	Bish	.....	D9/432
D. 282,884	3/1986	Byrns	.....	D9/529 X
1,931,079	10/1933	Mitchell	.....	D9/529 X
3,581,926	6/1971	Roder	.....	D9/435 X
3,595,441	7/1971	Grosjean	.....	222/107
4,265,948	5/1981	Hayes et al.	.....	222/92

**FOREIGN PATENT DOCUMENTS**

317914	11/1969	Sweden	.....	229/213
2190658	11/1987	United Kingdom	.....	229/214

**OTHER PUBLICATIONS**

Modern Packaging, Oct. 1974 p. 2.  
Modern Packaging Oct. 1976, p. 87.

*Primary Examiner*—Ted Shooman  
*Assistant Examiner*—Mitchell I. Siegel  
*Attorney, Agent, or Firm*—Stuart R. Suter; Edward T. Lentz

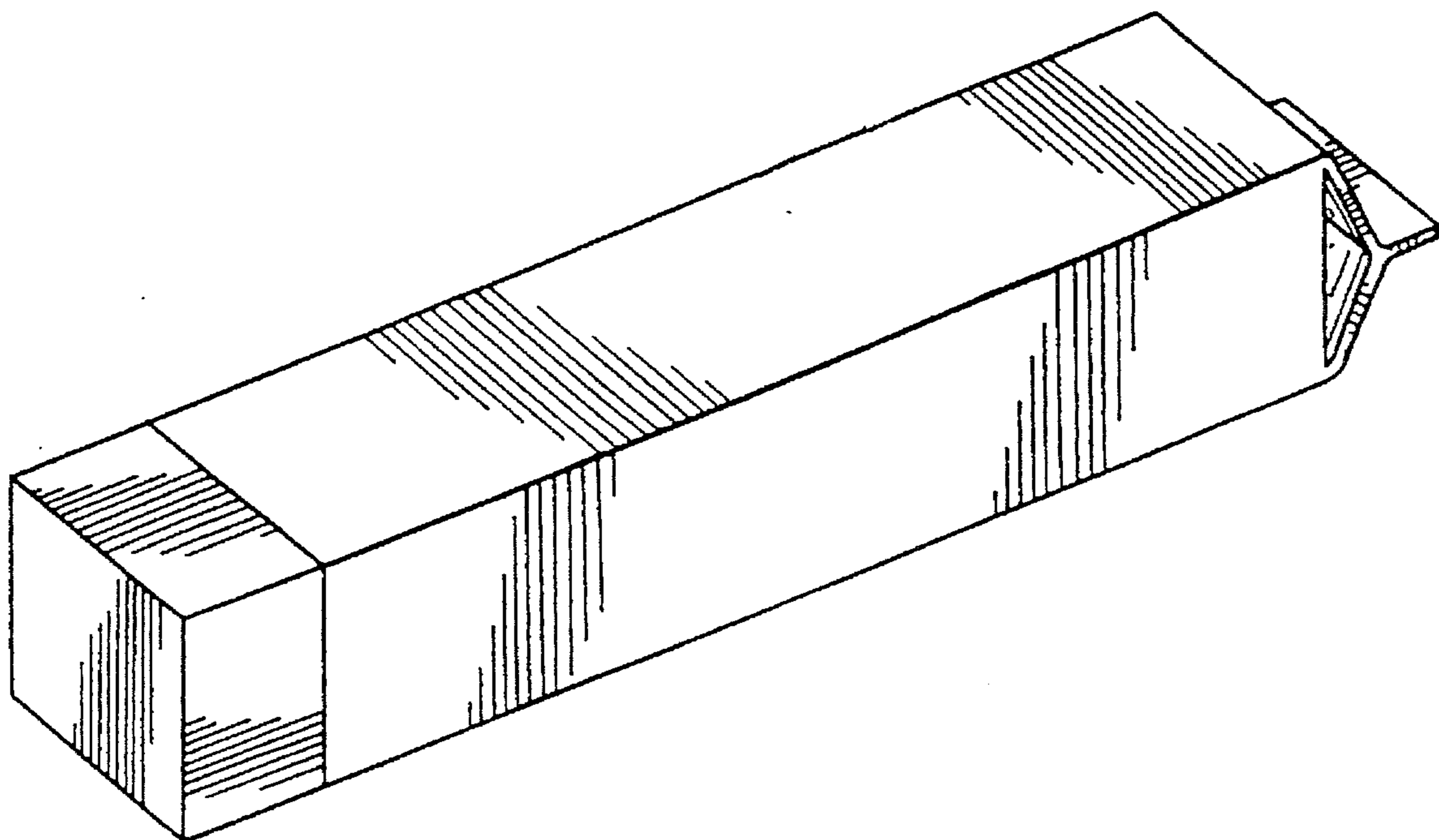
[57] **CLAIM**

The ornamental design for a toothpaste tube, as shown and described.

**DESCRIPTION**

FIG. 1 is a top front perspective view of a toothpaste tube showing my new design;  
FIG. 2 is a front elevational view thereof; undisclosed rear elevation being a mirror image;  
FIG. 3 is a top plan view thereof; undisclosed bottom being a mirror image of the top;  
FIG. 4 is a left side elevational view thereof;  
FIG. 5 is a right side elevational view thereof;  
FIG. 6 is a top front perspective view of a second embodiment of the toothpaste tube illustrated in FIG. 1, clearly shown without the end flap;  
FIG. 7 is a front elevational view thereof; undisclosed rear elevation being a mirror image;  
FIG. 8 is a top plan view thereof; undisclosed bottom plan view being a mirror image of the top;  
FIG. 9 is a left side elevational view thereof; and,  
FIG. 10 is a right side elevational view thereof.

**1 Claim, 2 Drawing Sheets**



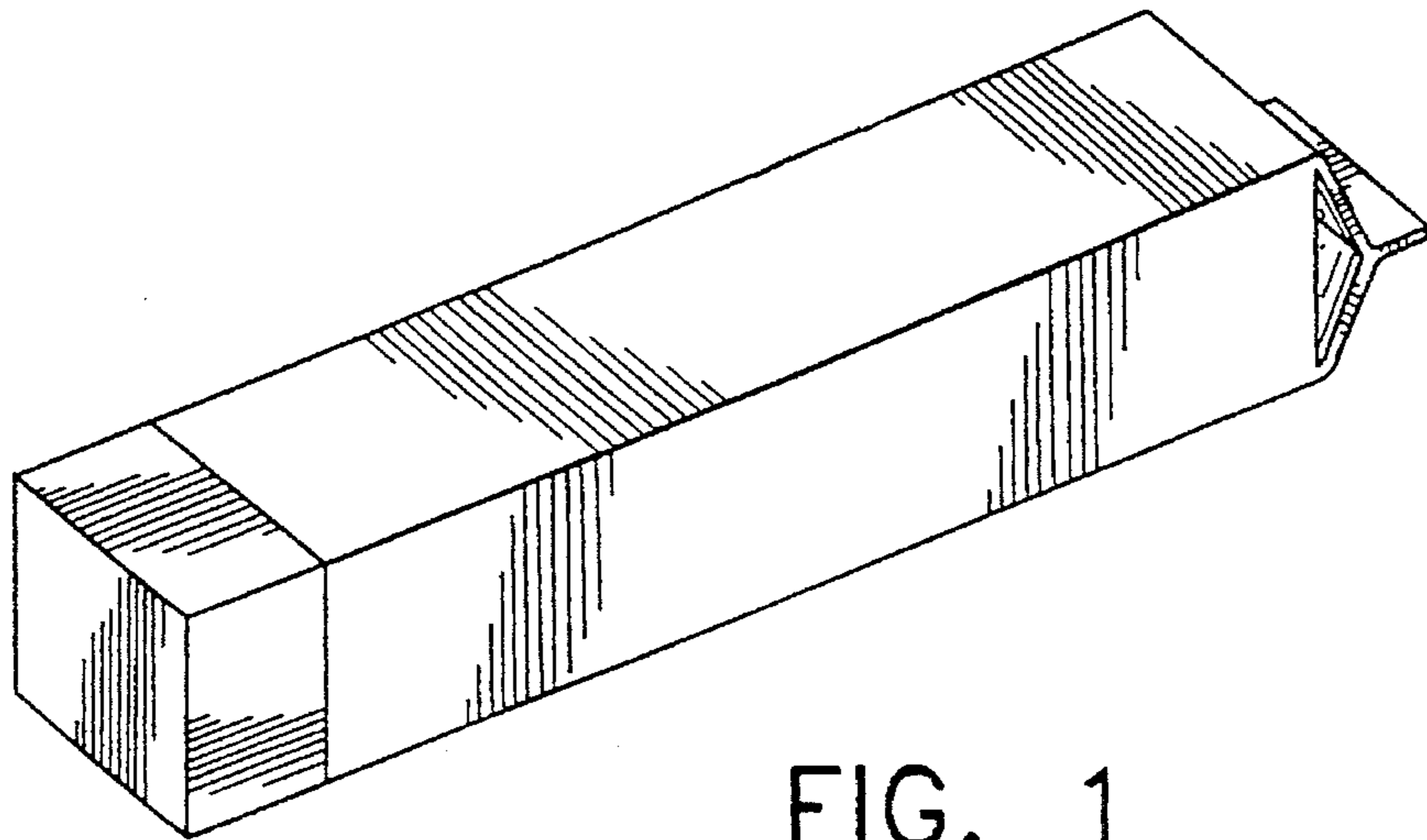


FIG. 1

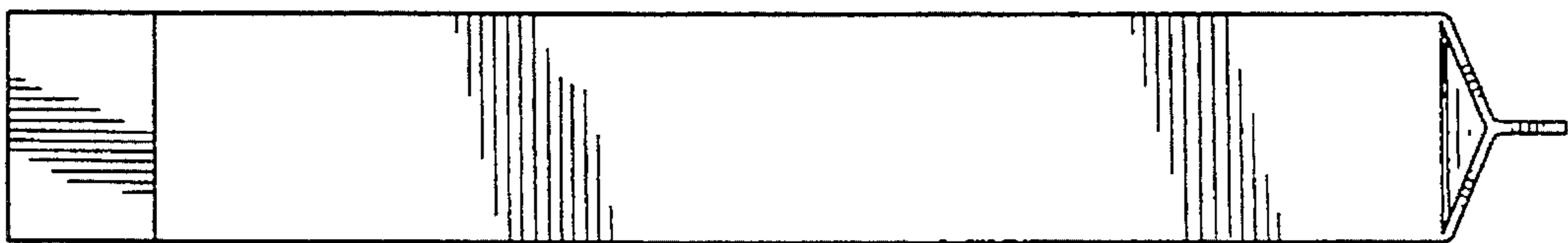


FIG. 2

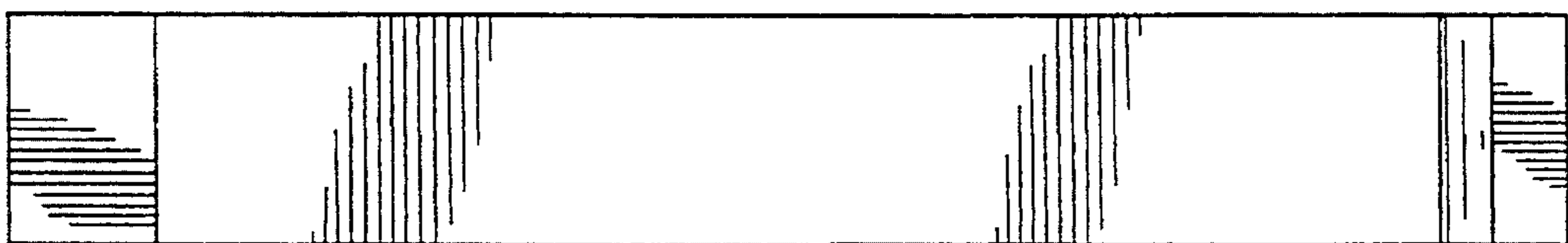


FIG. 3

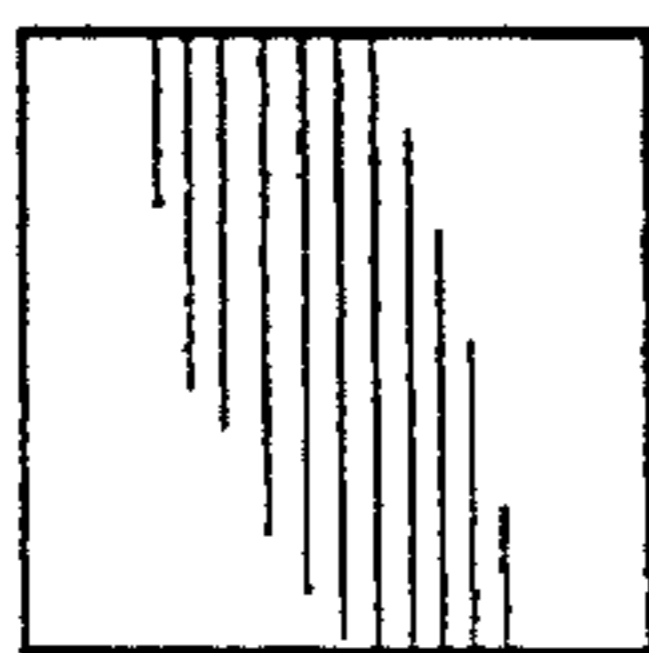


FIG. 4

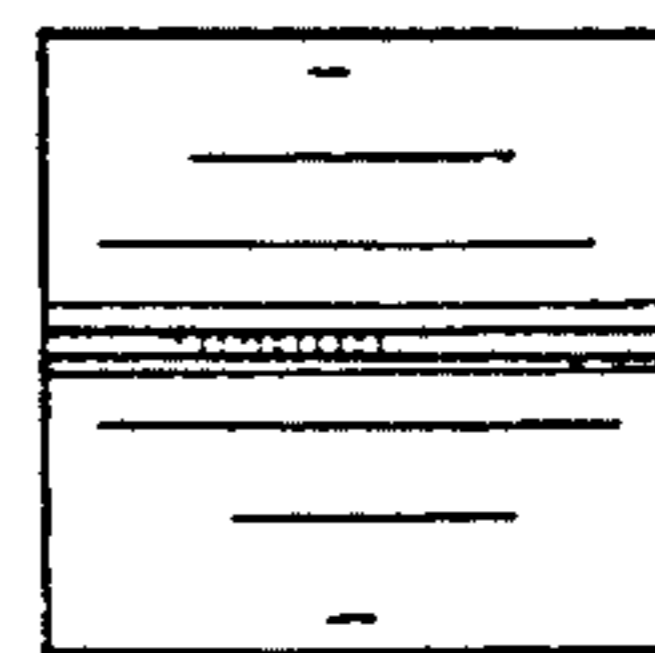


FIG. 5

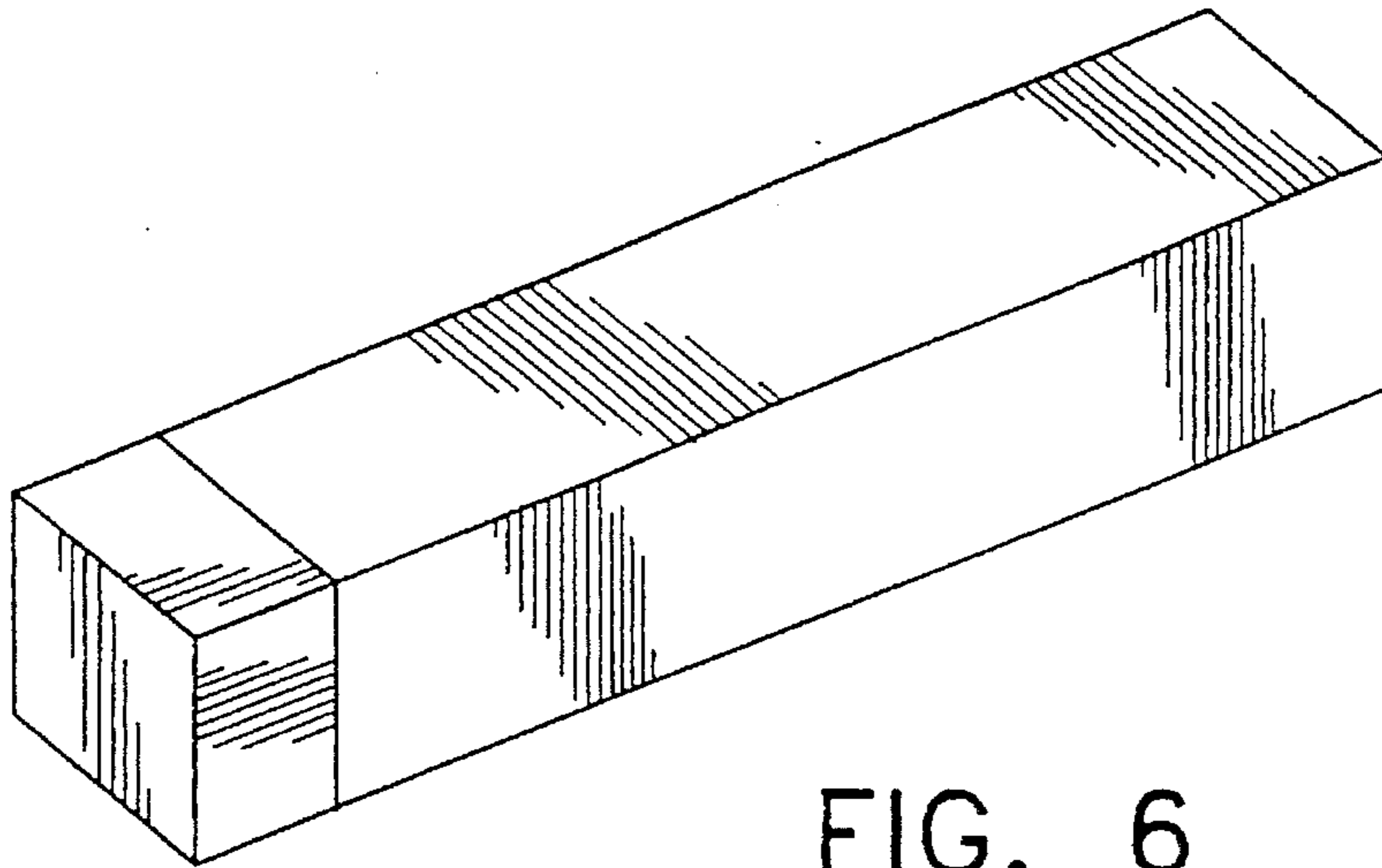


FIG. 6

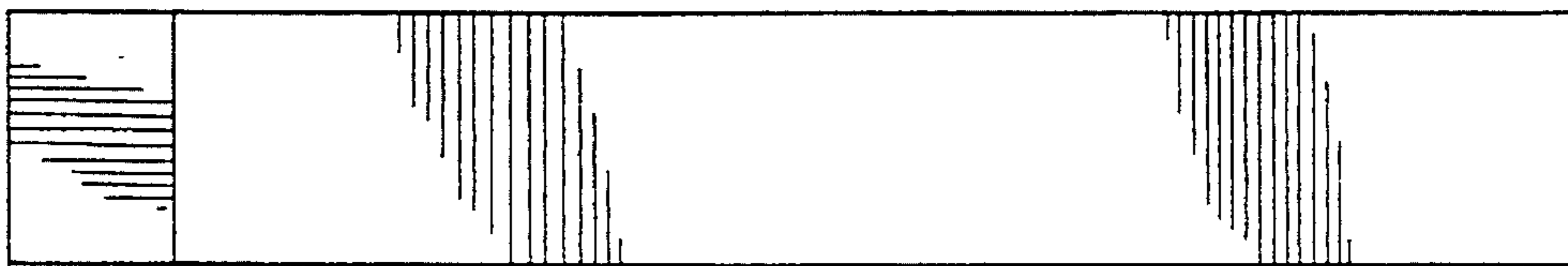


FIG. 7



FIG. 8

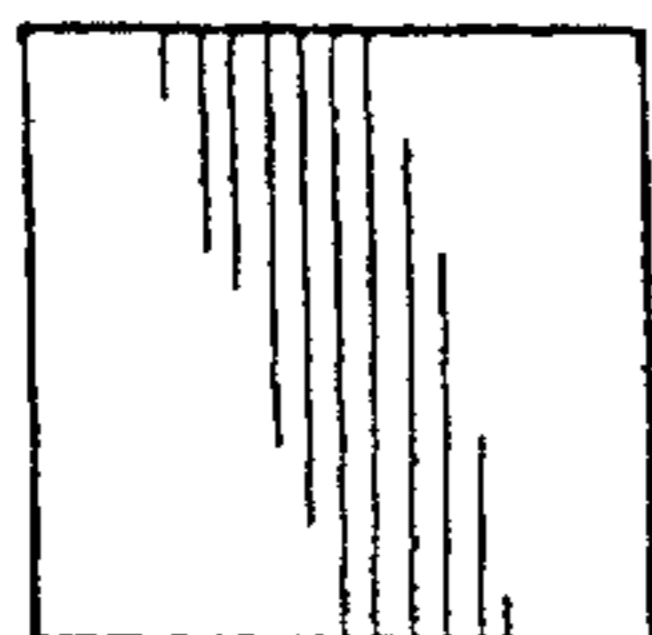


FIG. 9

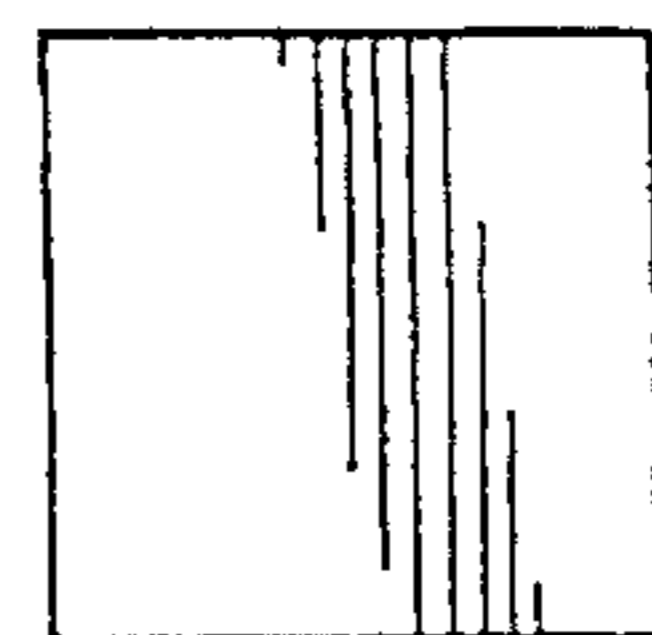


FIG. 10