



US00D363427S

United States Patent [19]

Crowe

[11] Patent Number: **Des. 363,427**

[45] Date of Patent: ****Oct. 24, 1995**

[54] **COMBINED TWINE HOLDER, CUTTER AND TWINE THEREFOR**

[76] Inventor: **Byron A. Crowe**, Crowe Rope Company, P.O. Box 345, Warren, Me. 04864

[**] Term: **14 Years**

[21] Appl. No.: **26,354**

[22] Filed: **Jul. 25, 1994**

[52] U.S. Cl. **D8/360.1**

[58] Field of Search D8/360.1; D3/23; D22/137; D28/64; 242/400.1, 405.2, 305, 402

[56] **References Cited**

U.S. PATENT DOCUMENTS

- D. 189,423 12/1960 Cress D8/358
- D. 265,863 8/1982 McCam D3/23
- D. 318,788 8/1991 Crowe D8/360.1

Primary Examiner—A. Hugo Word
Assistant Examiner—Holly Baynham
Attorney, Agent, or Firm—Stan Jones

[57] **CLAIM**

The ornamental design for a combined twine holder cutter and twine therefor, as shown and described.

DESCRIPTION

FIG. 1 is a bottom view of a combined twine holder, cutter and twine therefor showing my new design;

FIG. 2 is a top view thereof with the twine positioned across the cutting element;

FIG. 3 is a top view thereof without the bobbin and twine;

FIG. 4 is a front perspective view thereof without the twine;

FIG. 5 is a front perspective view of the claimed article fully assembled;

FIG. 6 is a rear perspective view of the claimed article fully assembled;

FIG. 7 is a reduced left side elevation view thereof;

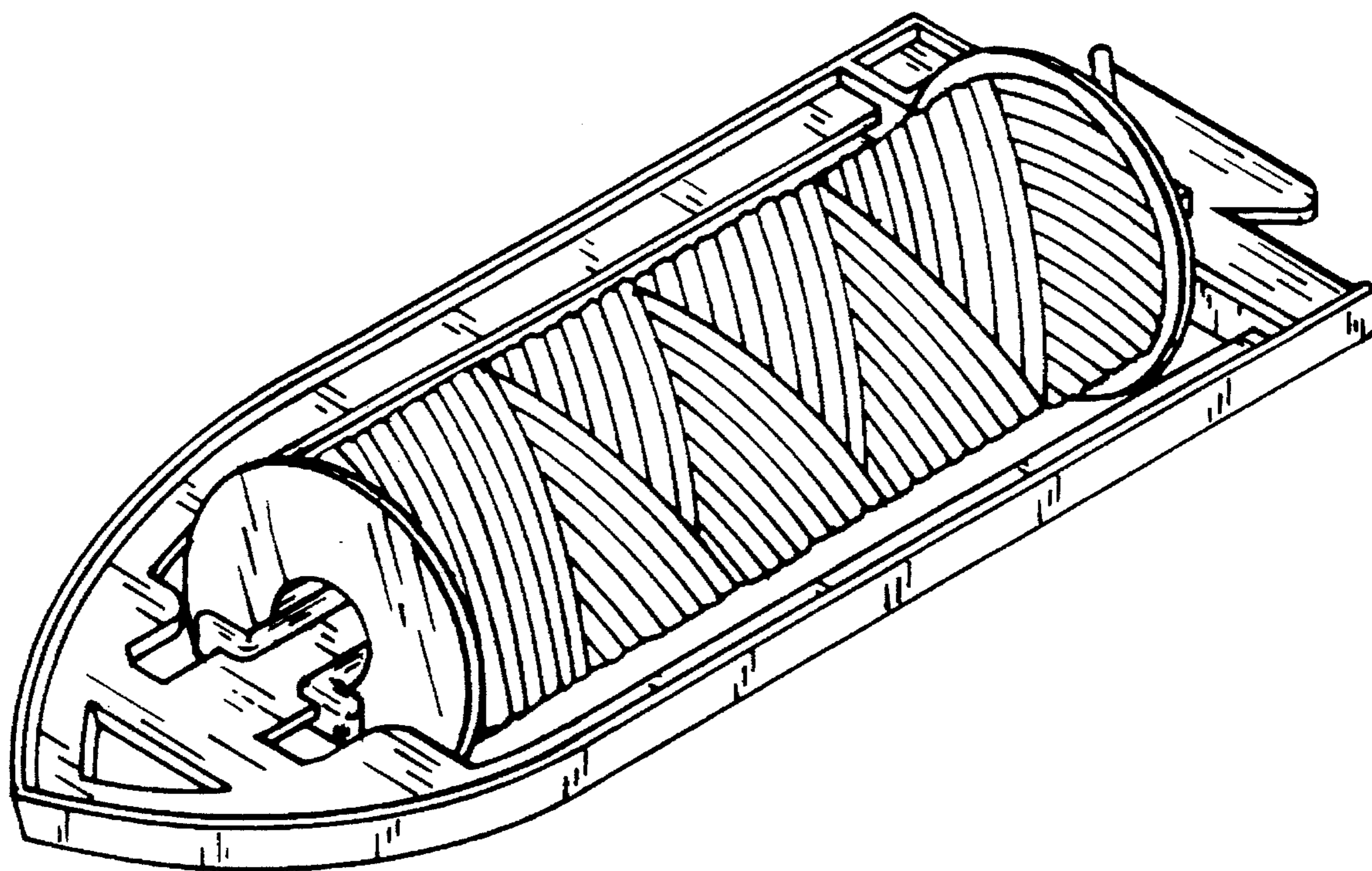
FIG. 8 is a reduced right side elevation view thereof with the twine positioned across the cutting element;

FIG. 9 is a front elevation view; and,

FIG. 10 is a rear elevation view with the twine positioned across the cutting element.

The removal of the bobbin and twine in FIG. 3 and the removal of the twine in FIG. 4 were done for clarity of illustration.

1 Claim, 4 Drawing Sheets



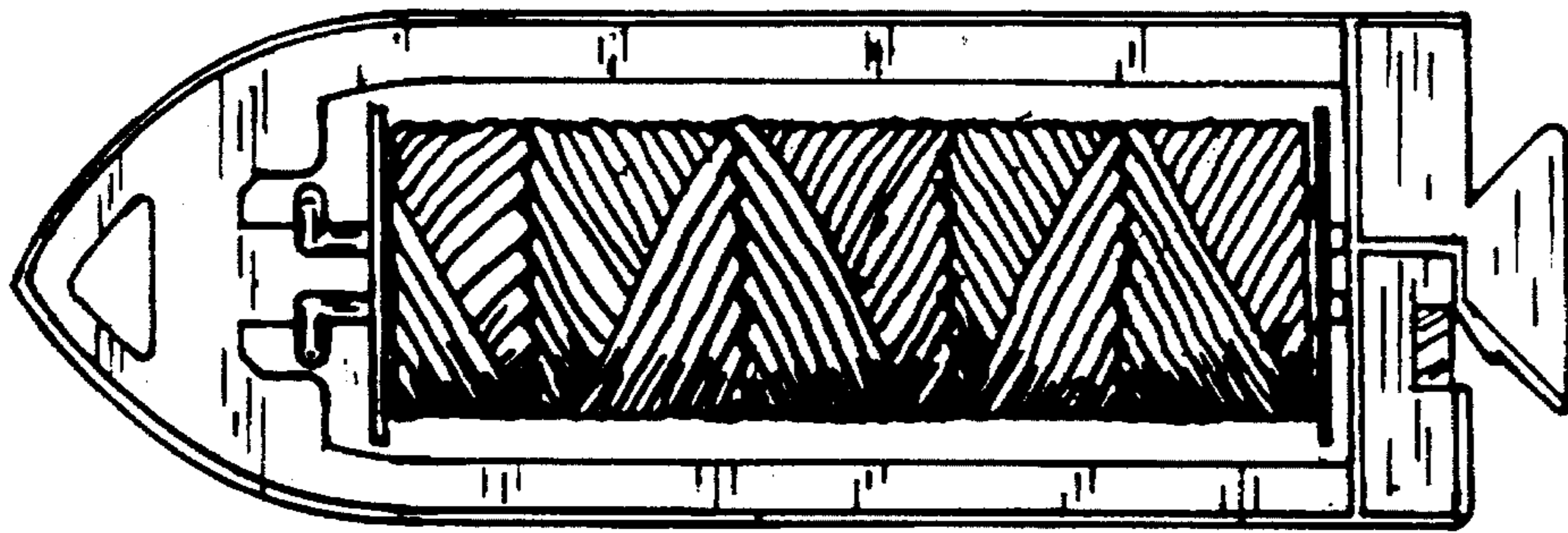


FIG. 1

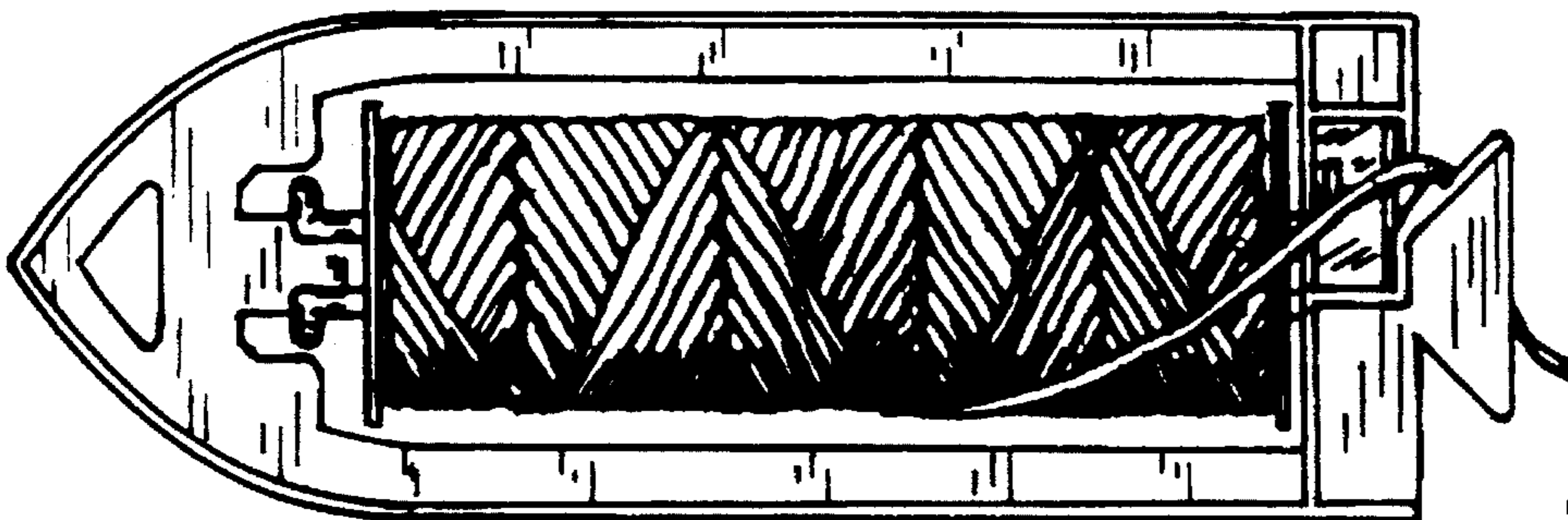


FIG. 2

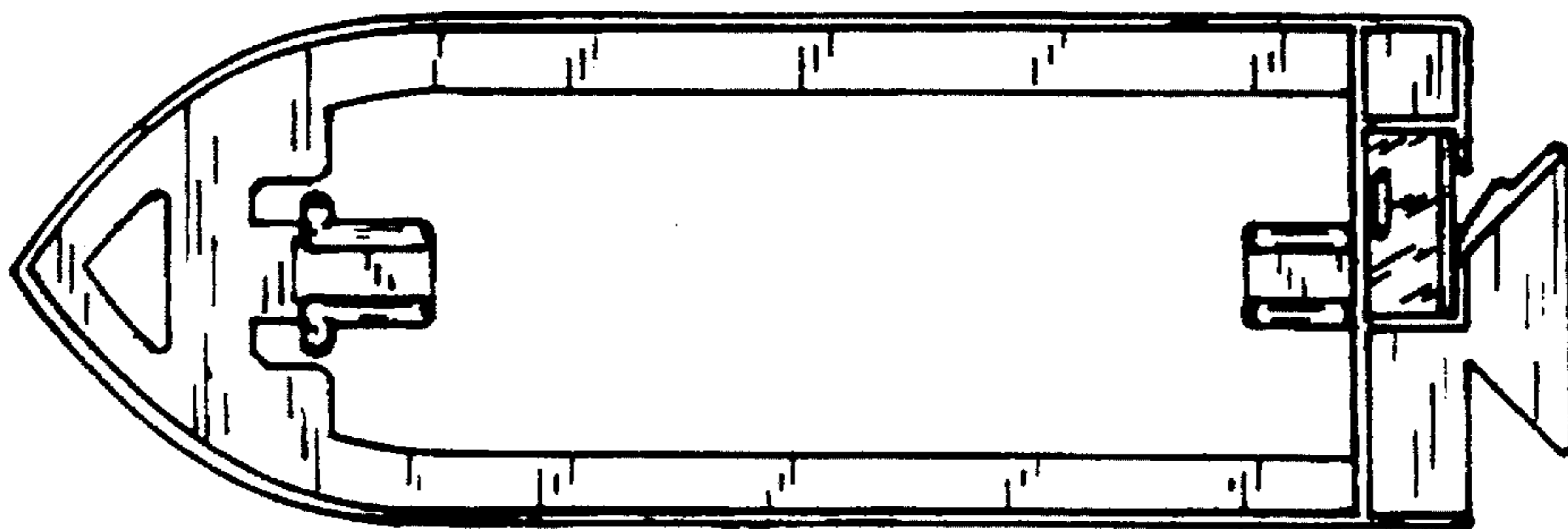


FIG. 3

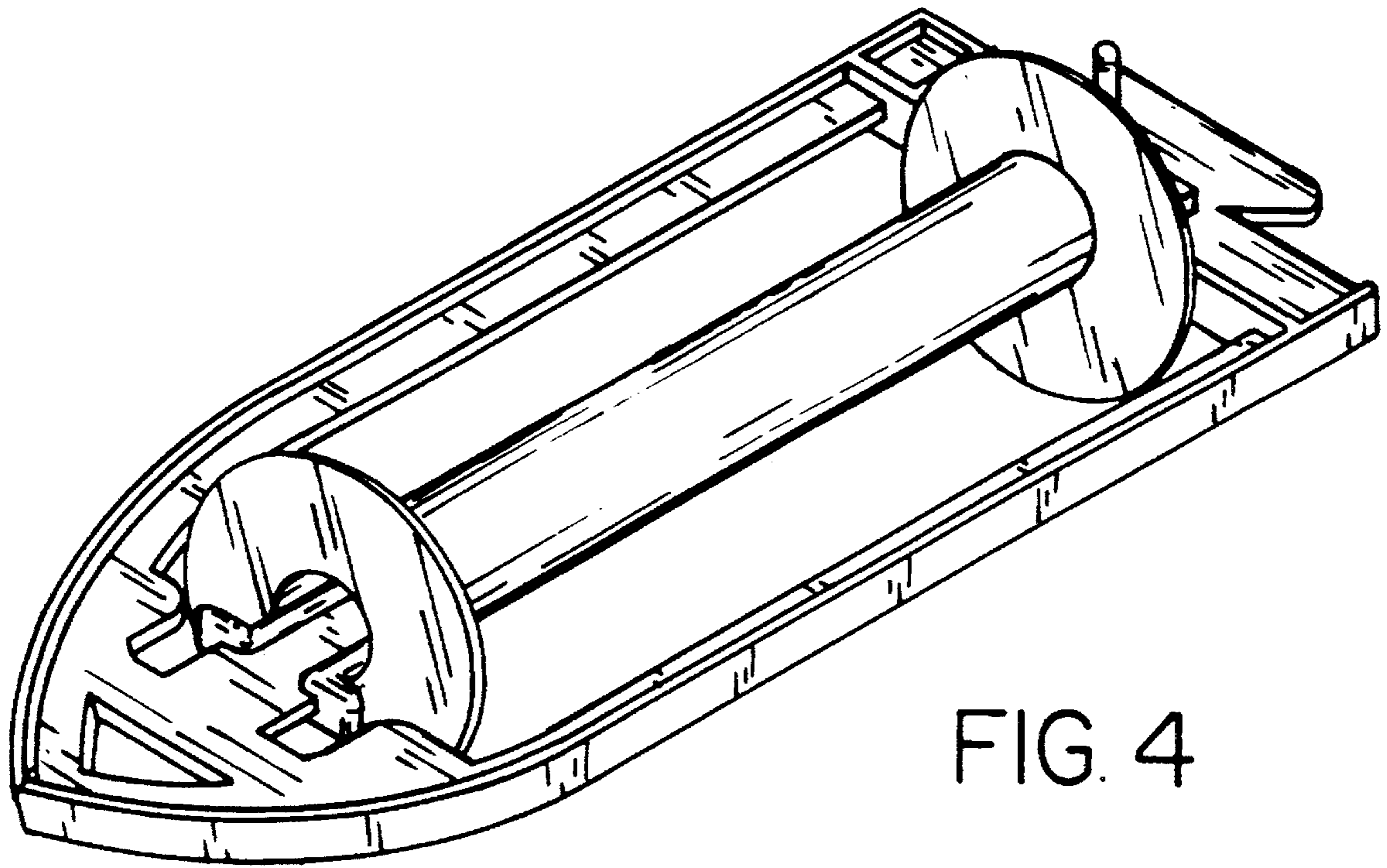


FIG. 4

FIG.5

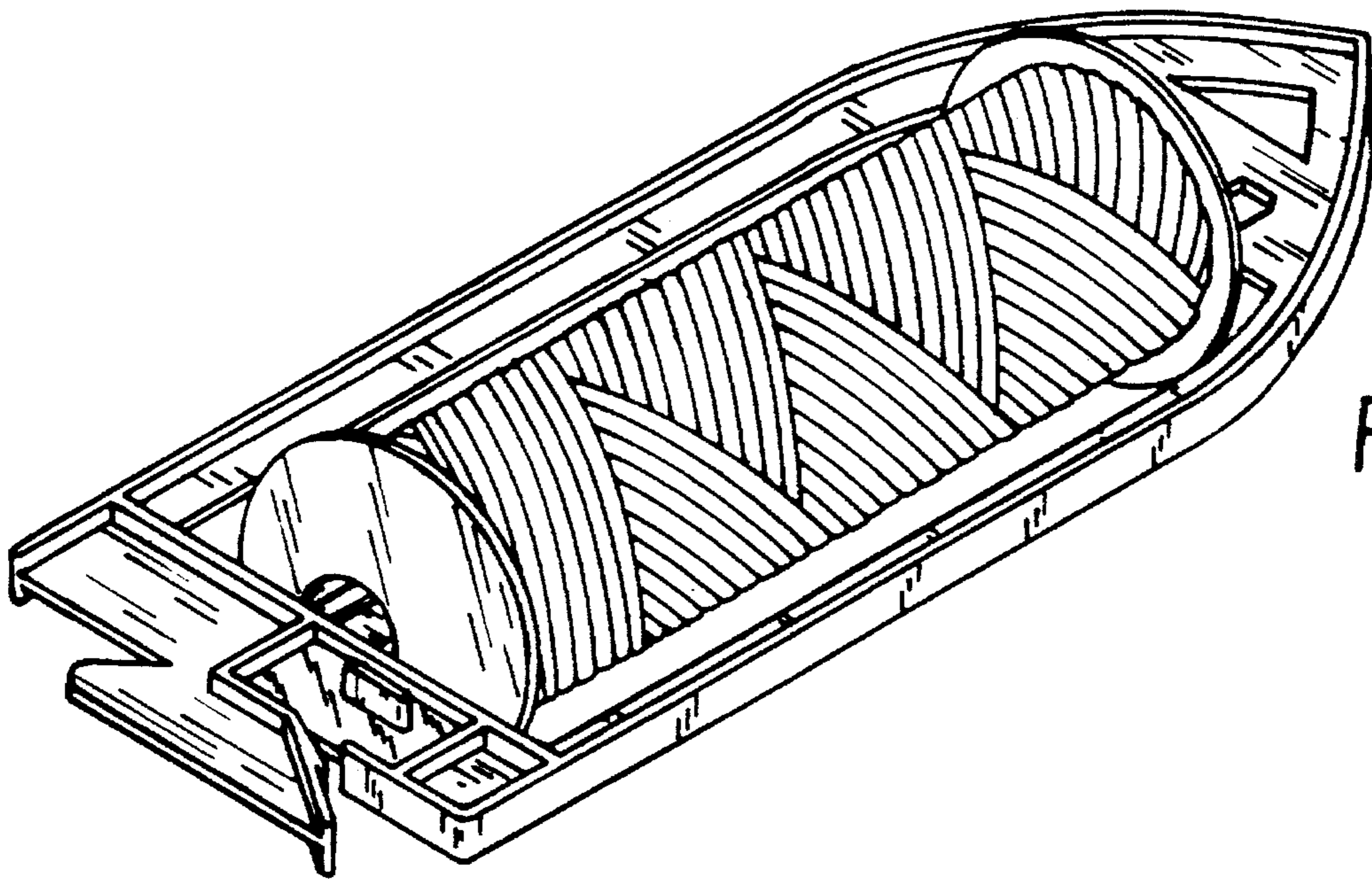
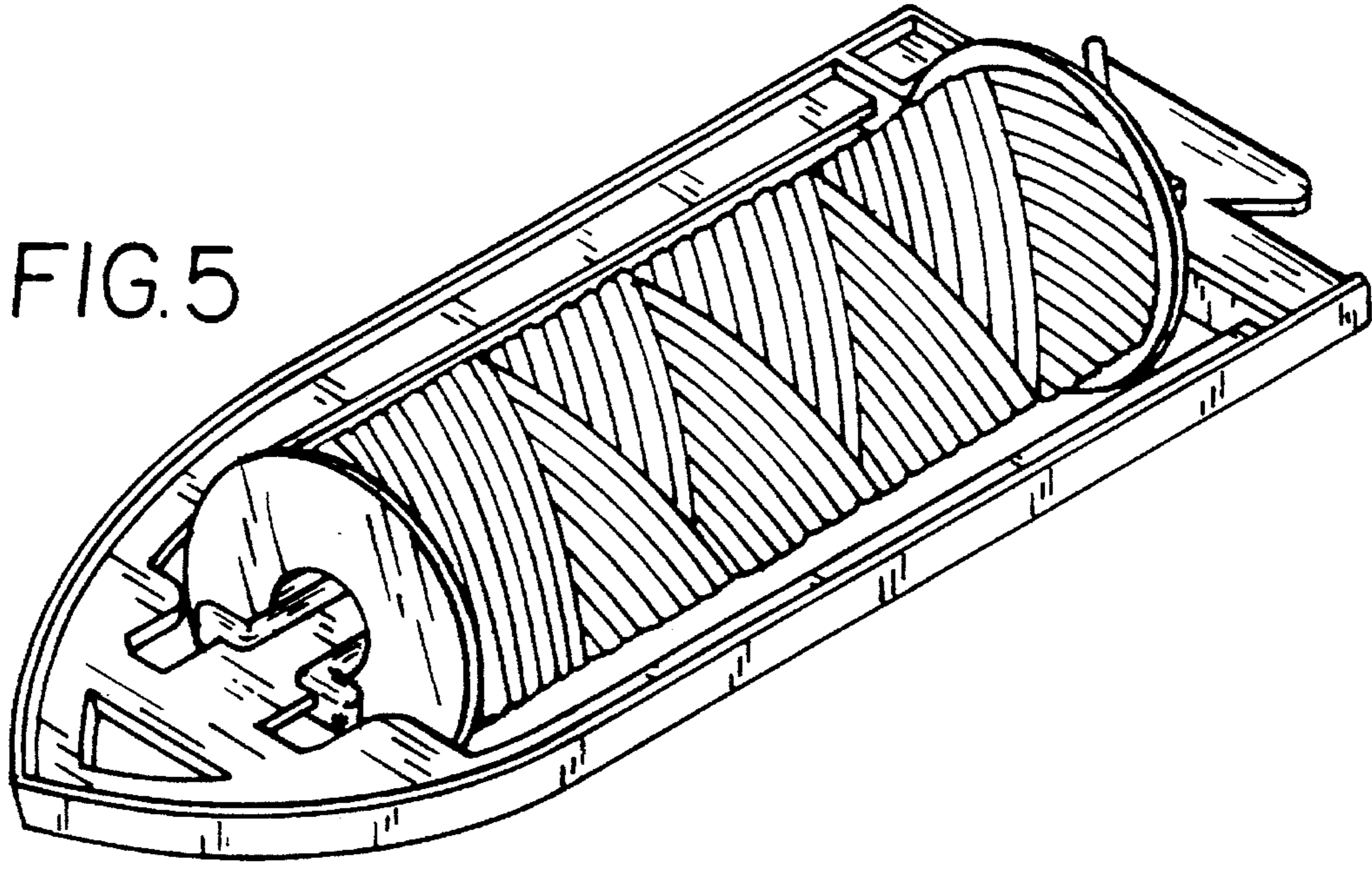


FIG.6

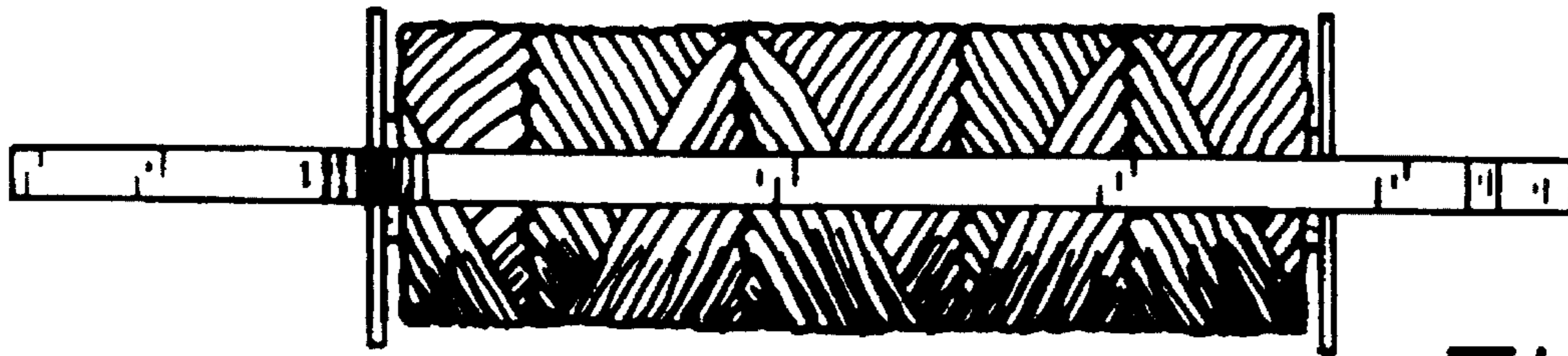


FIG. 7

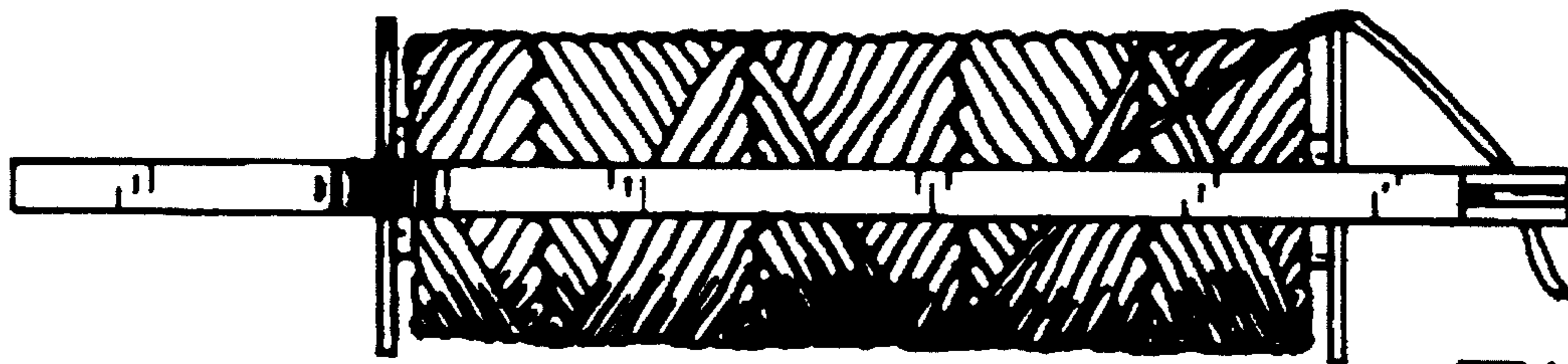


FIG. 8

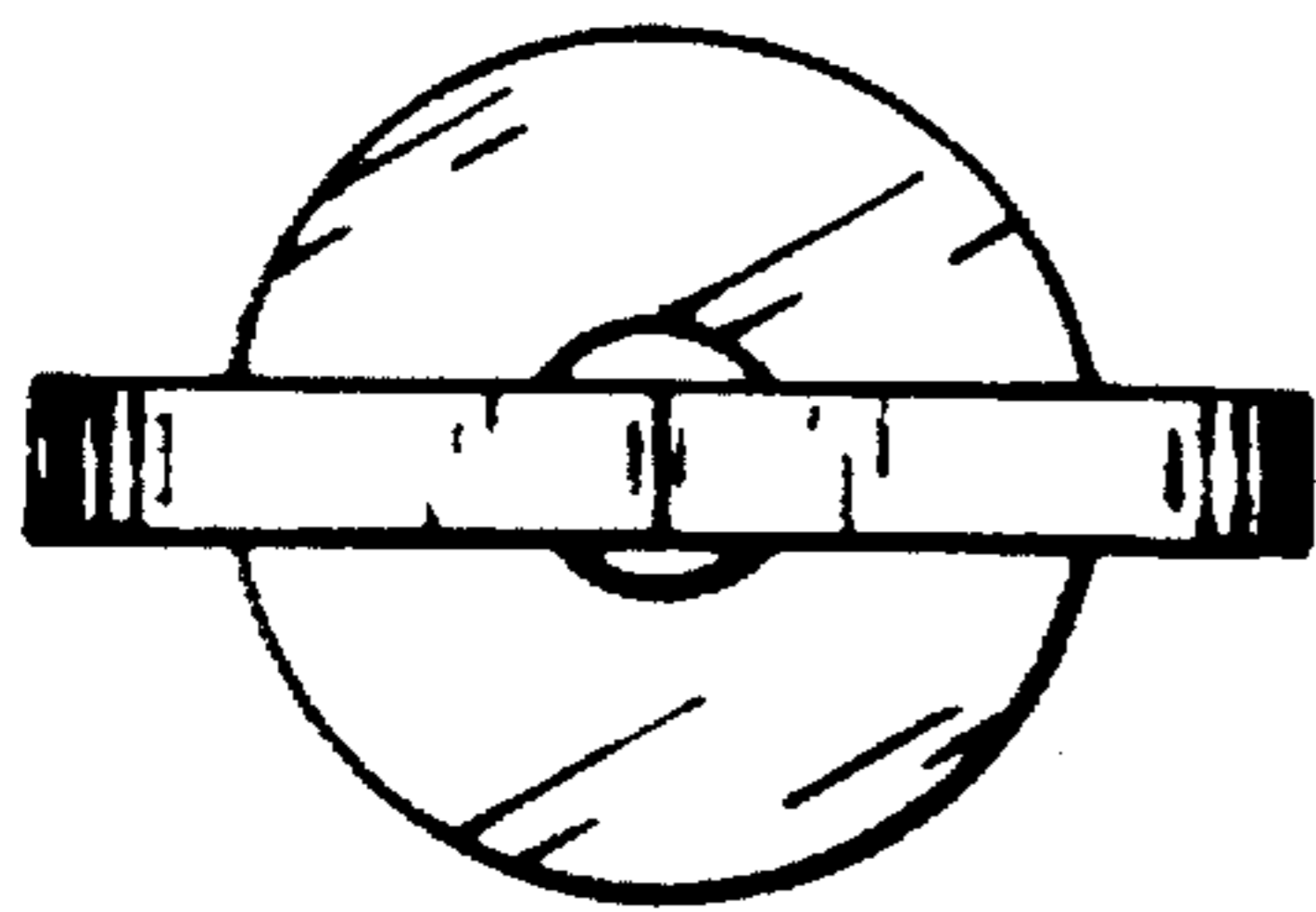


FIG. 9

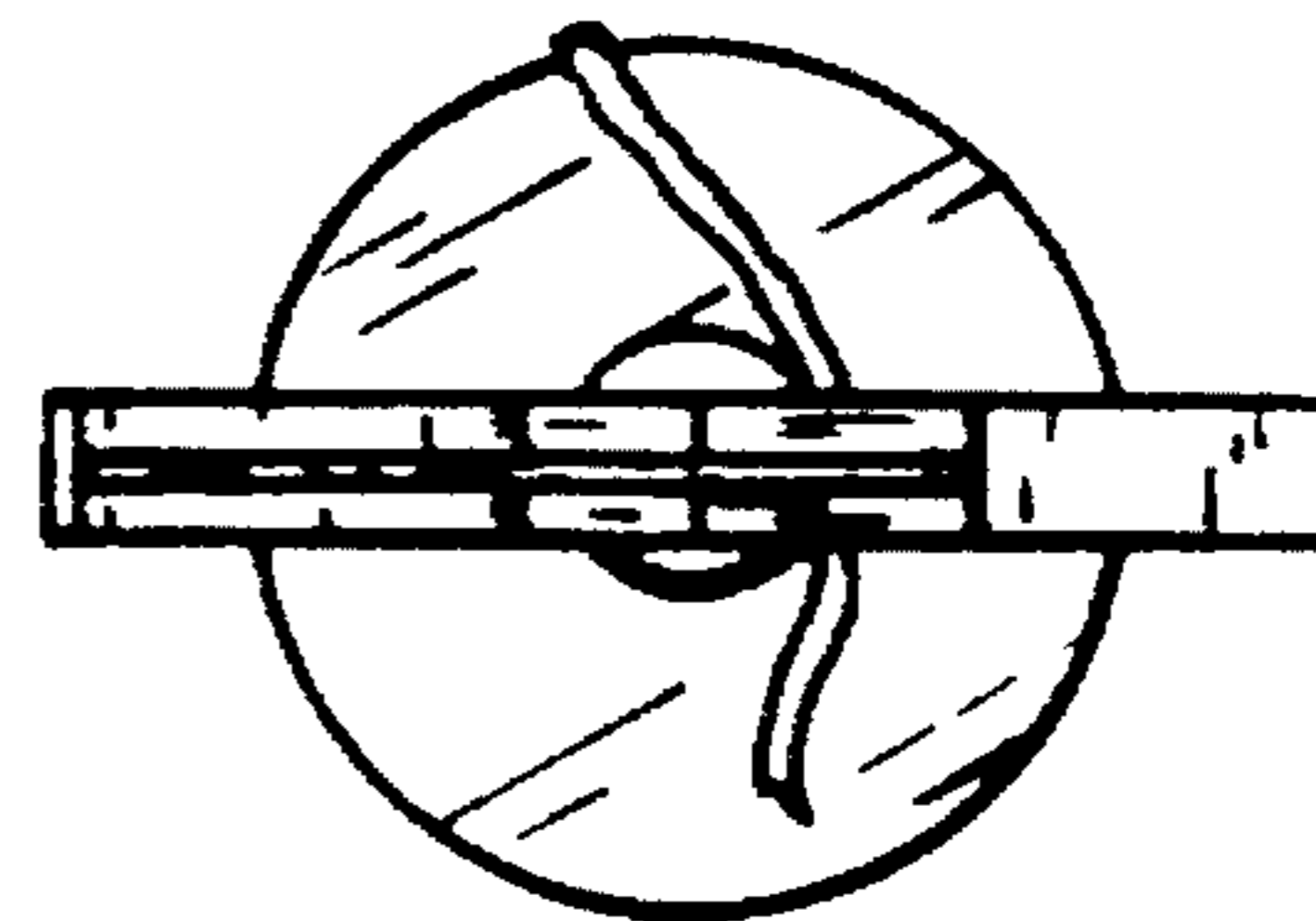


FIG. 10