



US00D363426S

United States Patent [19]
Rouleau

[11] **Patent Number: Des. 363,426**

[45] **Date of Patent: **Oct. 24, 1995**

[54] **ADAPTER FOR AN OVERHEAD TRAFFIC SIGN MOUNTED ON A MAST**

Assistant Examiner—Holly Baynham
Attorney, Agent, or Firm—Leonard Bloom

[76] **Inventor: Robert J. Rouleau**, 28 Cedar Knoll Rd., Cockeysville, Md. 21030

[57] **CLAIM**

[**] **Term: 14 Years**

The ornamental design for an adapter for an overhead traffic sign mounted on a mast, as shown and described.

[21] **Appl. No.: 26,454**

DESCRIPTION

[22] **Filed: Jul. 28, 1994**

[52] **U.S. Cl. D8/349**

[58] **Field of Search** D8/349, 354, 355;
D20/10, 39, 42; 248/231.7, 122, 234, 291,
219.4

FIG. 1 is a perspective view of an adapter for an overhead traffic sign mounted on a mast;
FIG. 2 is a front view thereof;
FIG. 3 is a rear view thereof;
FIG. 4 is a top plan view thereof;
FIG. 5 is a bottom plan view thereof;
FIG. 6 is a right side elevation thereof;
FIG. 7 is a left side elevation thereof; and,
FIG. 8 is an exploded perspective view with the broken line showing of a fragmented mast being for illustrative purposes only and forming no part of the claimed design.

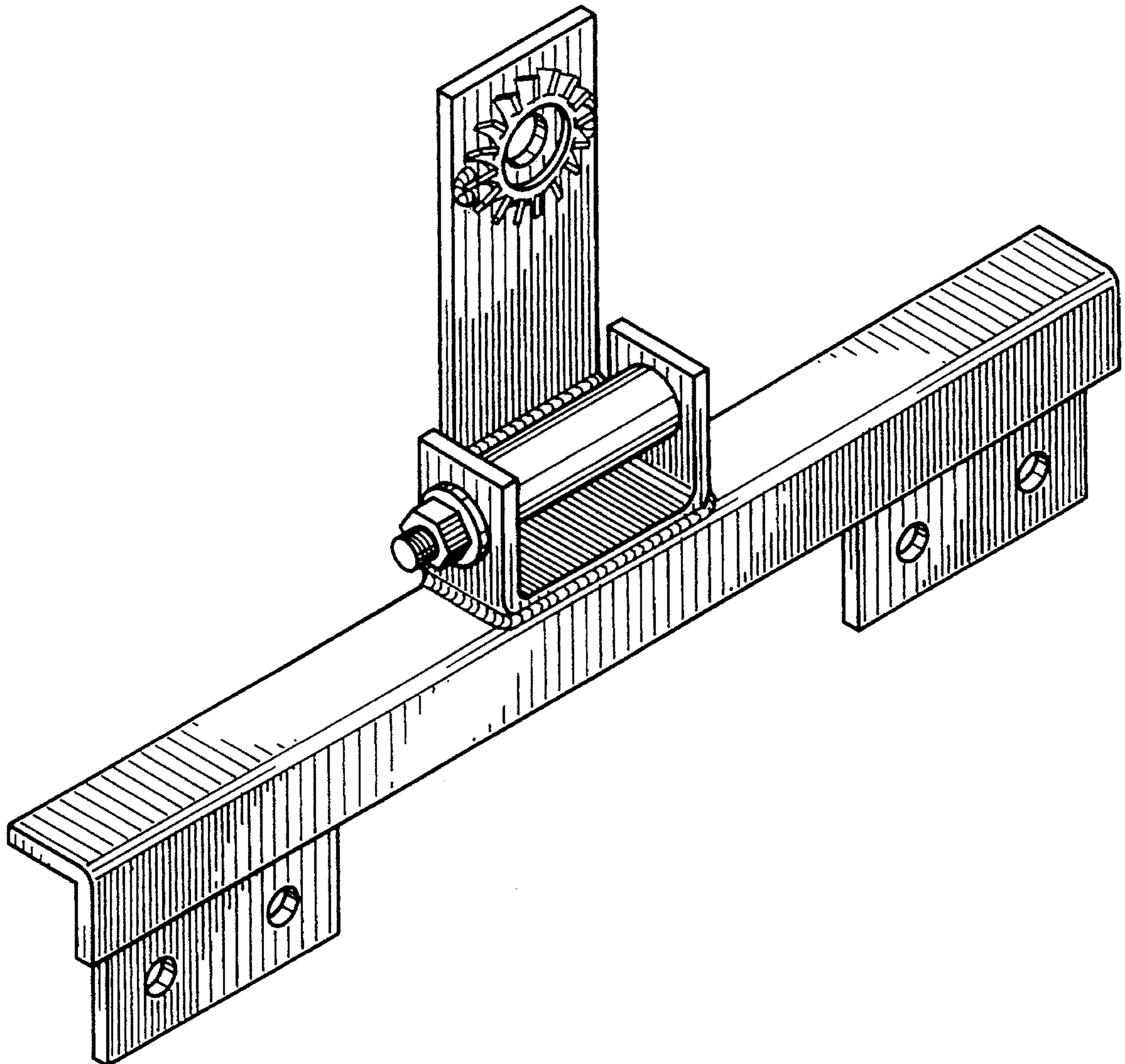
[56] **References Cited**

U.S. PATENT DOCUMENTS

D. 280,785 10/1985 Benedict D6/315 X
4,489,910 12/1984 Ferguson 248/284 X

Primary Examiner—A. Hugo Word

1 Claim, 3 Drawing Sheets



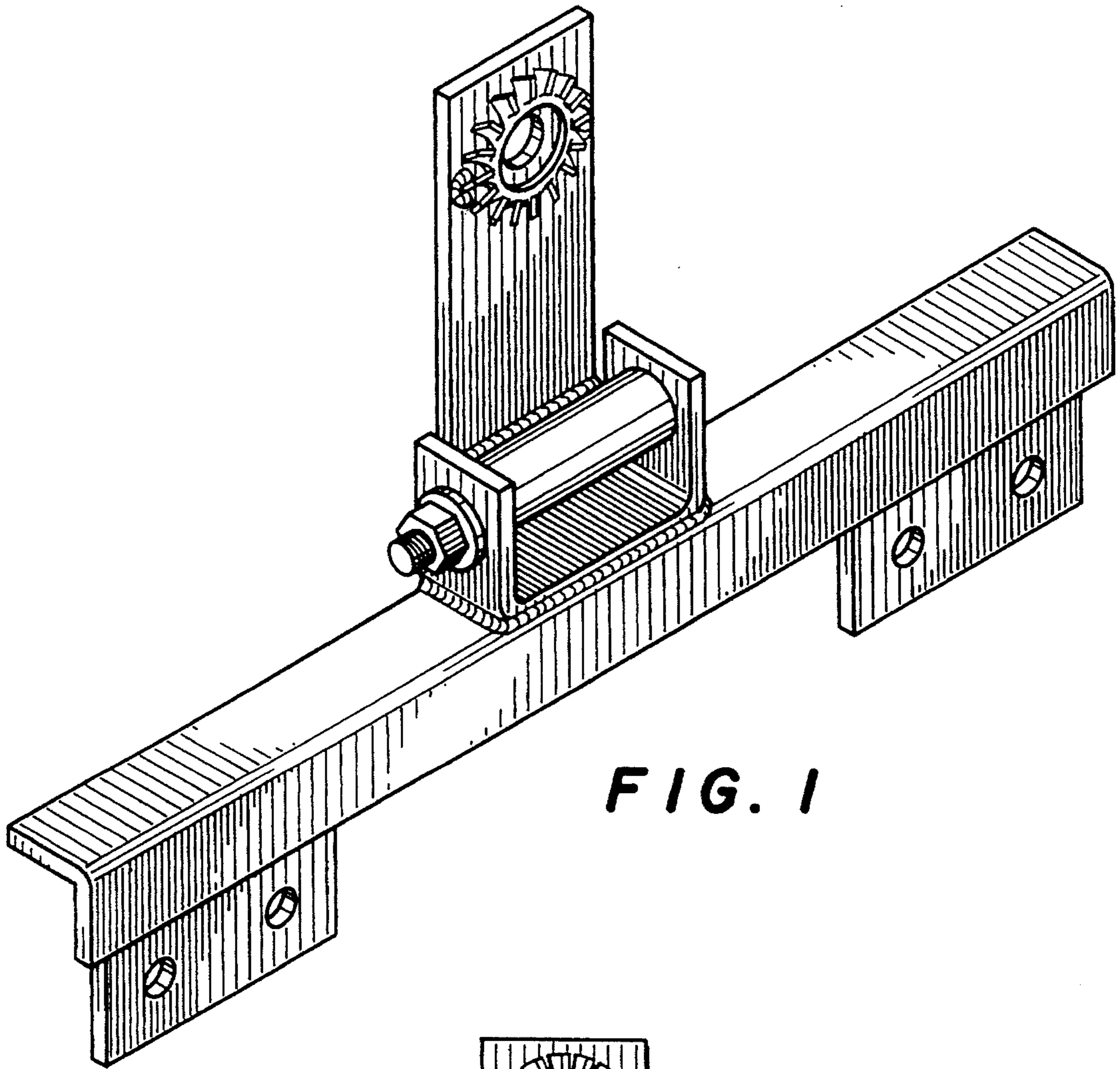


FIG. 1

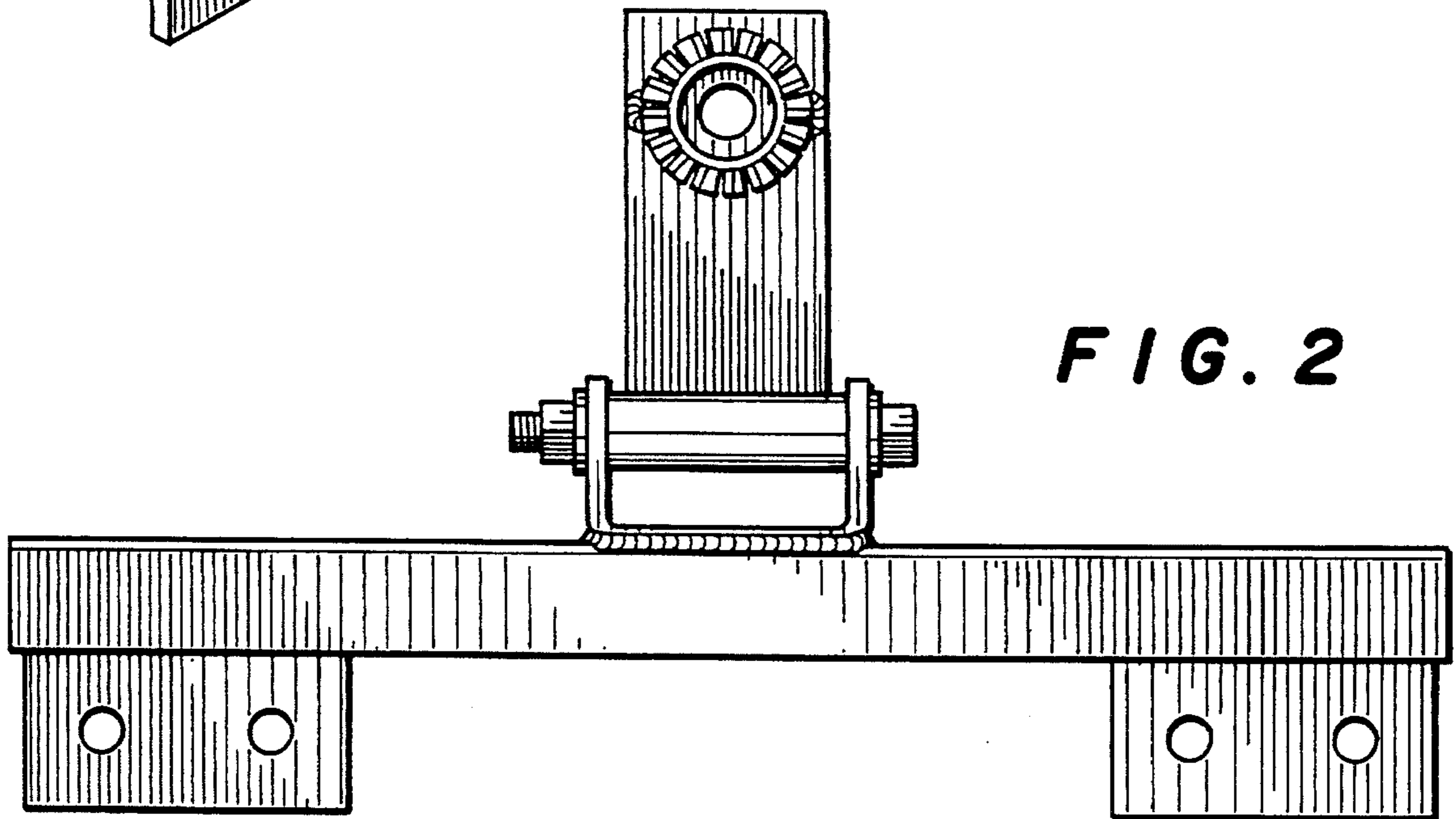
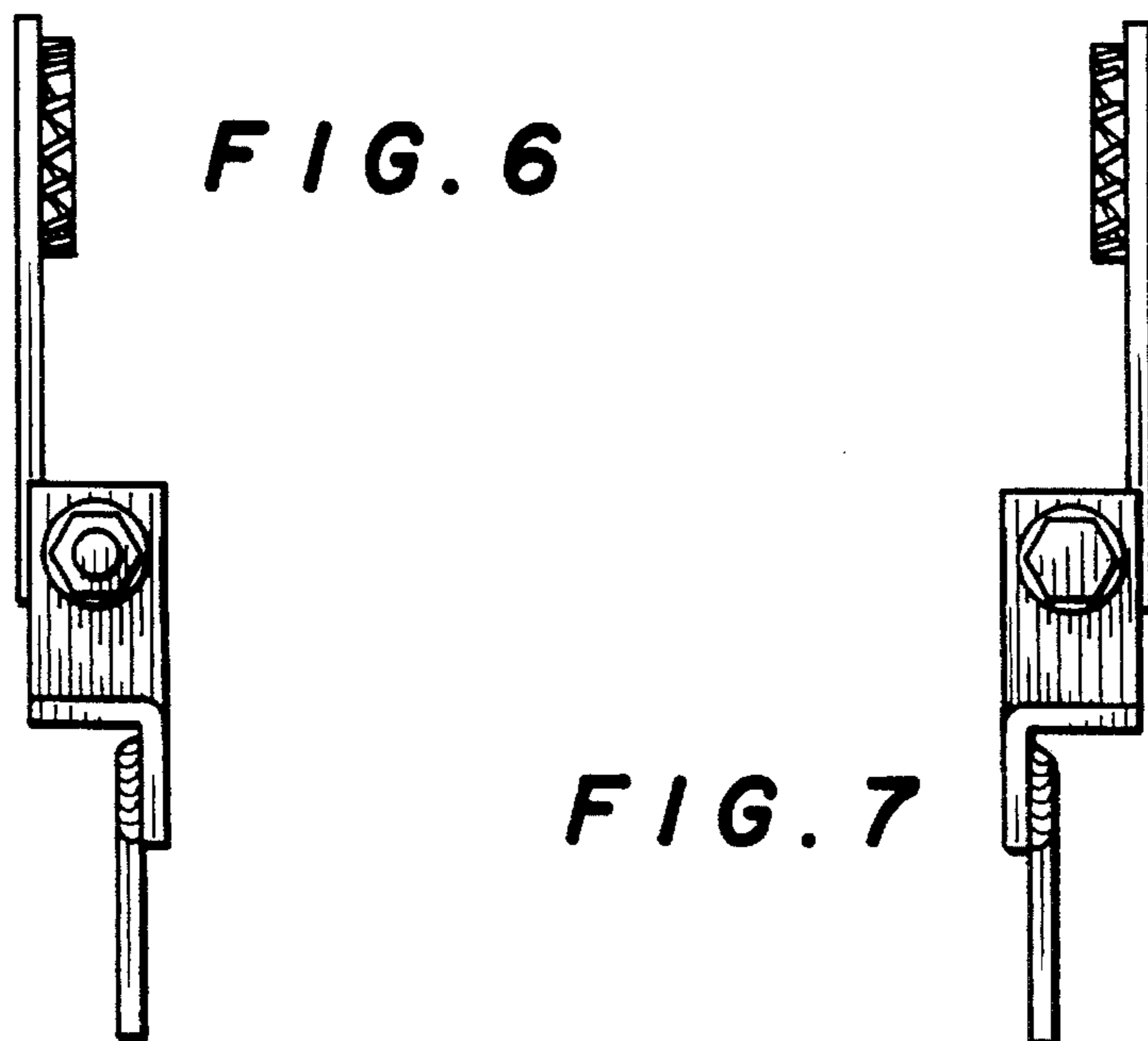
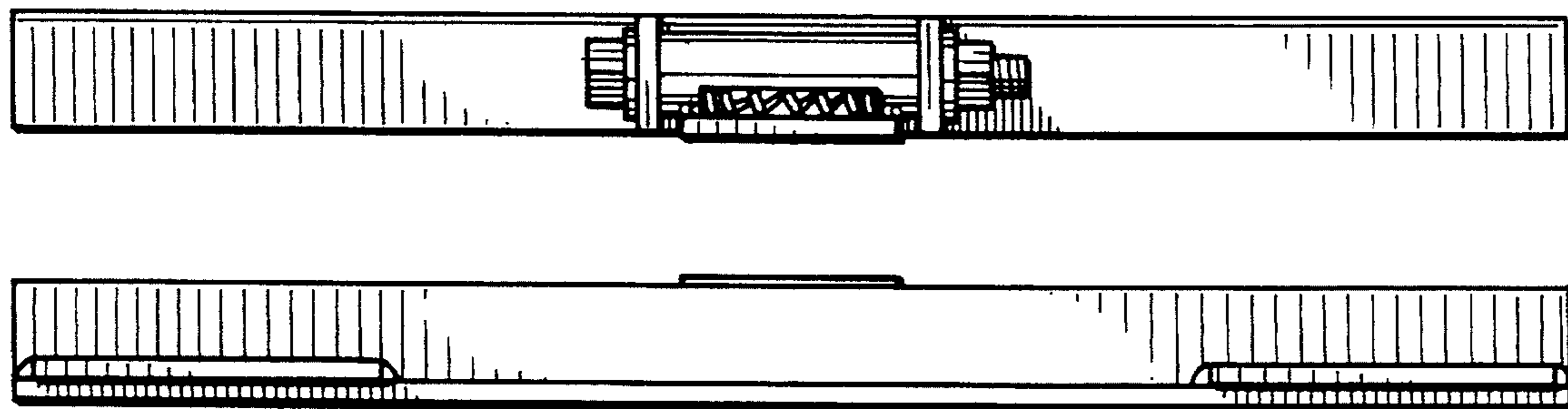
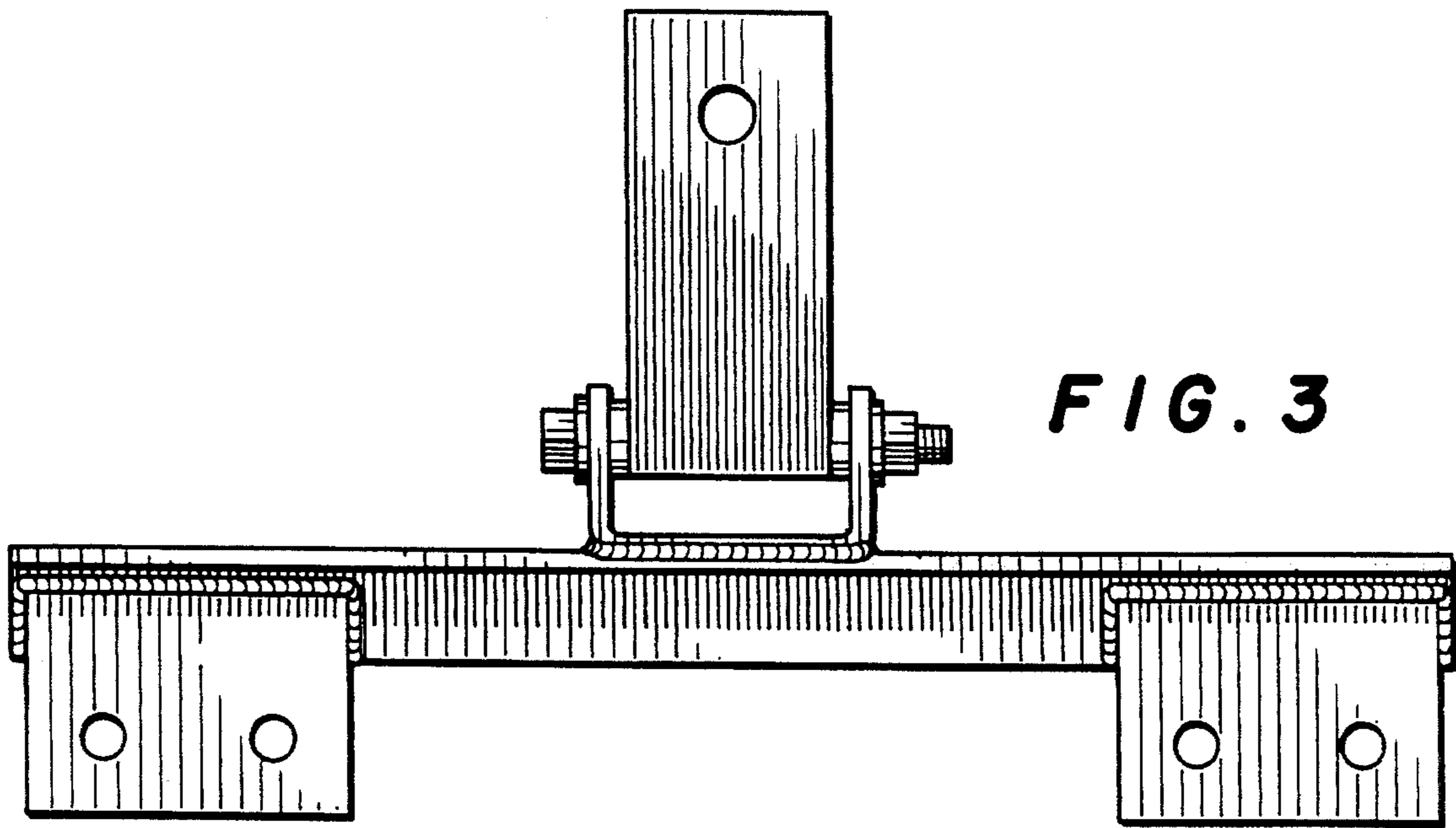


FIG. 2



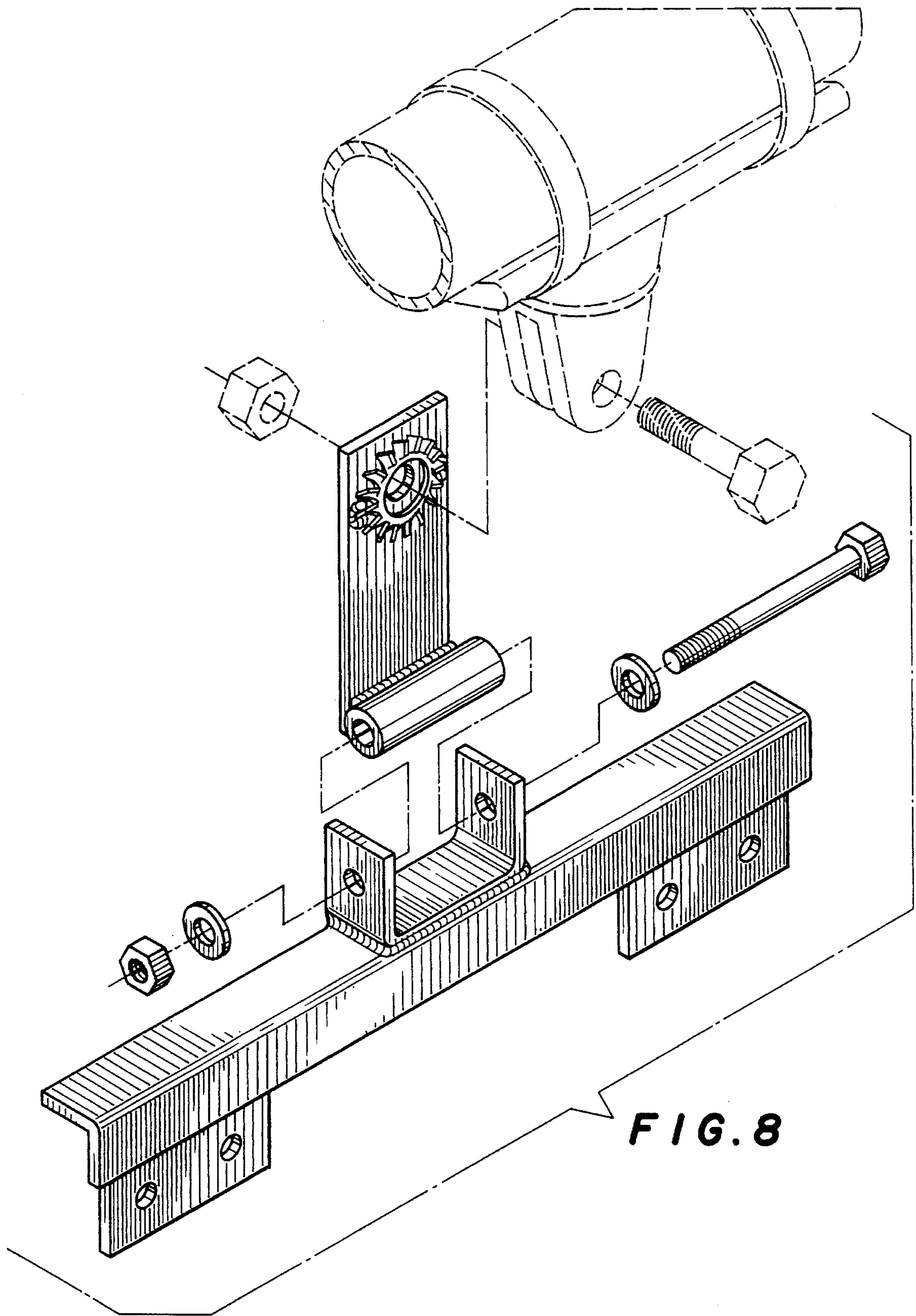


FIG. 8