



US00D363423S

# United States Patent [19]

Fennell et al.

[11] Patent Number: **Des. 363,423**

[45] Date of Patent: **\*\*Oct. 24, 1995**

[54] **COUNTERBALANCED RETROFIT DOOR LEVER**

5,231,731 8/1993 Jones, Jr. .... 16/121 X

### FOREIGN PATENT DOCUMENTS

[76] Inventors: **James R. Fennell**, 20 W. Washington St., Colorado Springs, Colo. 80907 Ste. 3; **Jeffrey T. Hall**, 807 N. Weber St., both of Colorado Springs, Colo. 80903

2624180 6/1989 France ..... 292/336.3

*Primary Examiner*—Terry A. Wallace  
*Assistant Examiner*—Nanda Bondade

[\*\*] Term: **14 Years**

### [57] CLAIM

[21] Appl. No.: **10,768**

The ornamental design for a counterbalanced retrofit door lever, as shown.

[22] Filed: **Jul. 19, 1993**

### DESCRIPTION

[52] U.S. Cl. .... **D8/321**

[58] Field of Search ..... D8/306, 308, 321;  
16/114.12, 114 R, 121, DIG. 30; 74/557;  
292/336.3, 347, 350, DIG. 2

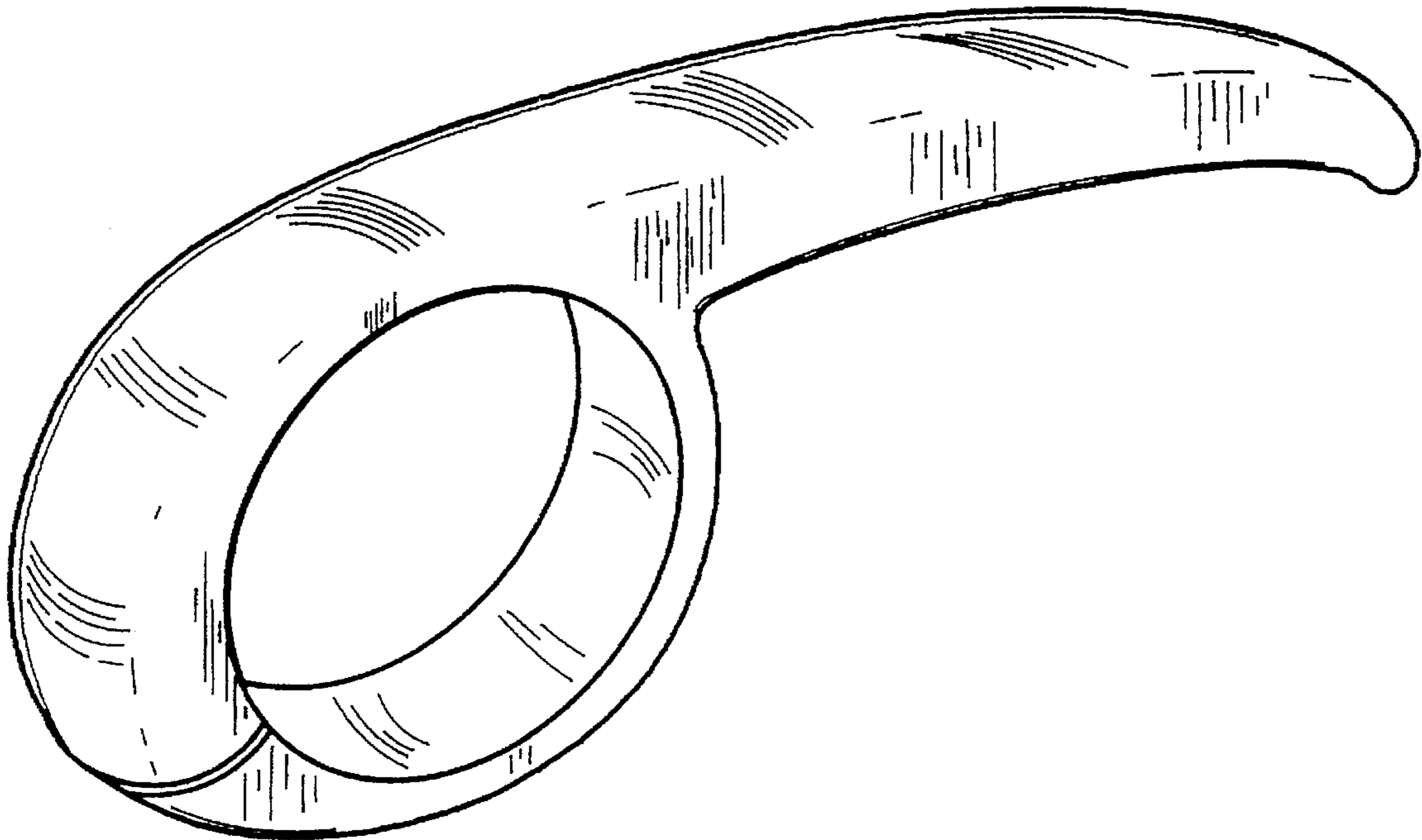
FIG. 1 is a perspective view of a counterbalanced retrofit door lever showing our new design;  
FIG. 2 is a front elevational view thereof;  
FIG. 3 is a left side elevational view thereof;  
FIG. 4 is a top plan view thereof;  
FIG. 5 is a bottom plan view thereof;  
FIG. 6 is a right side elevational view thereof; and,  
FIG. 7 is a rear elevational view thereof.

### [56] References Cited

#### U.S. PATENT DOCUMENTS

D. 289,369 4/1987 Foshee ..... D8/308  
3,827,739 8/1974 Overholser ..... 292/DIG. 2 X  
4,783,883 11/1988 Szalay ..... 292/DIG. 2 X

**1 Claim, 1 Drawing Sheet**



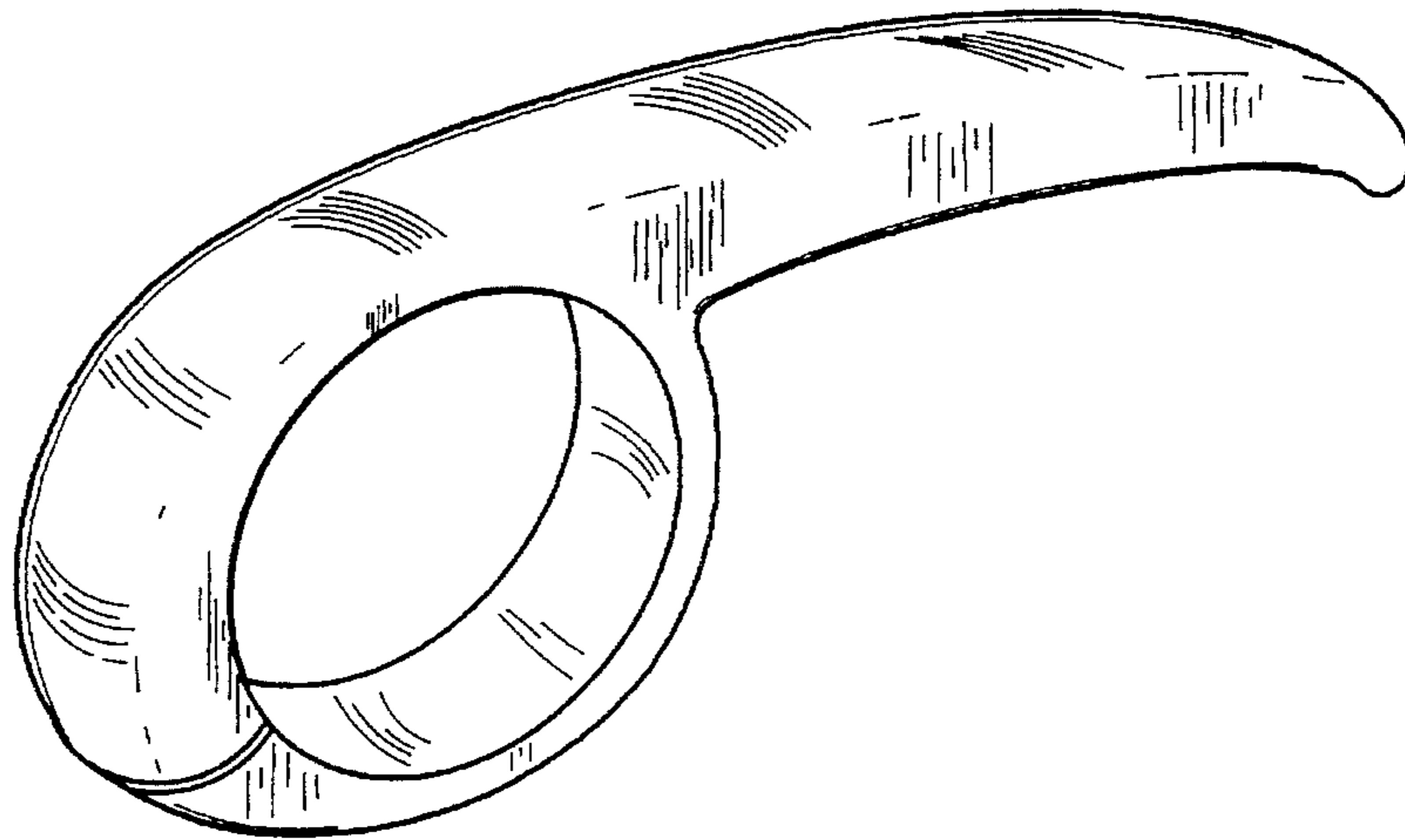


Fig. 1

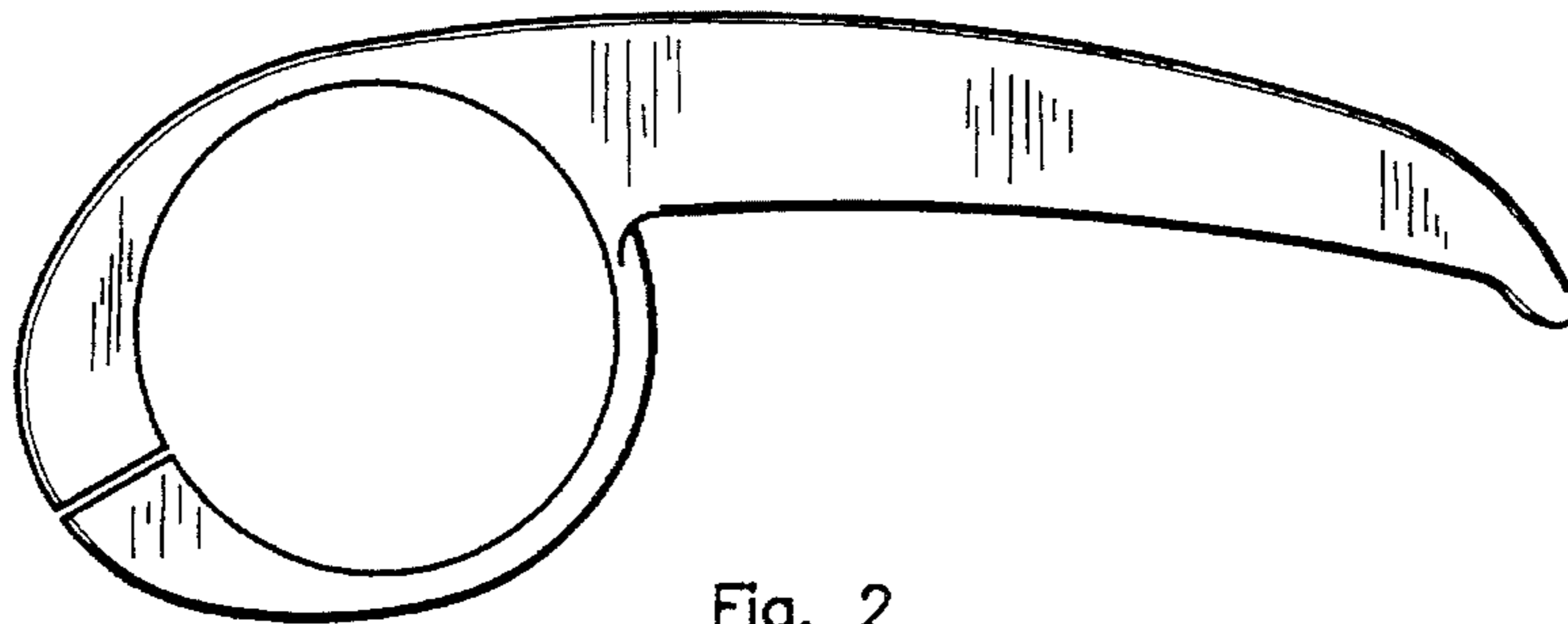


Fig. 2

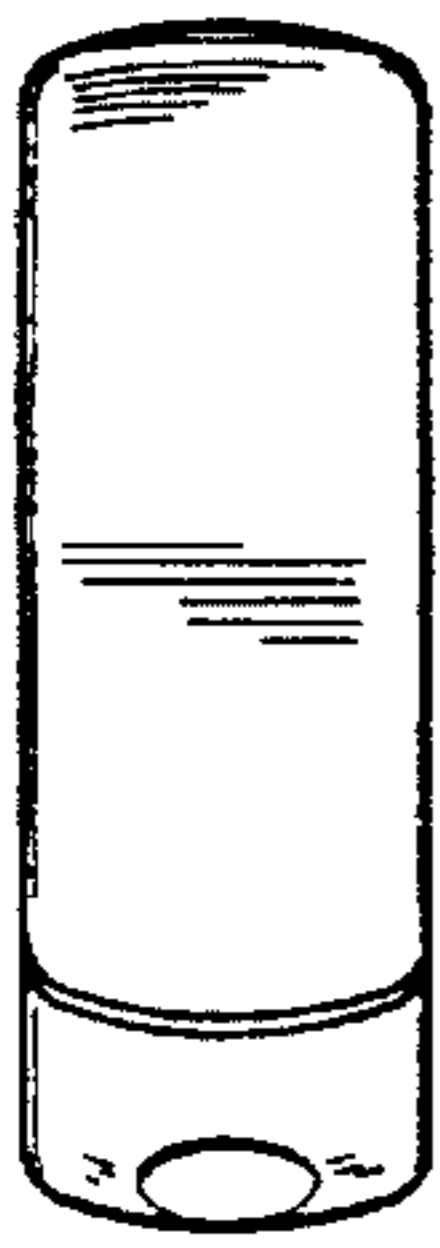


Fig. 3

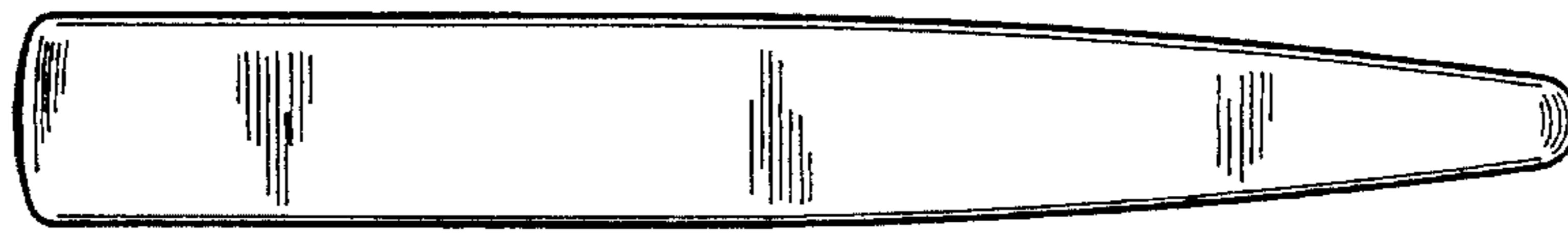


Fig. 4

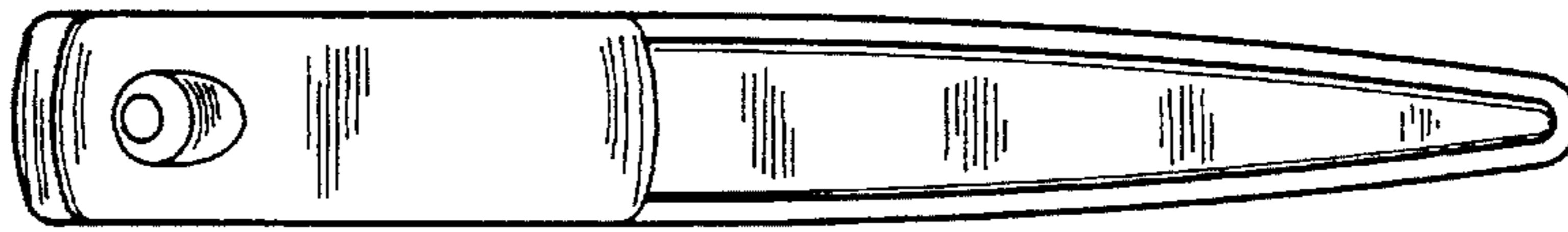


Fig. 5

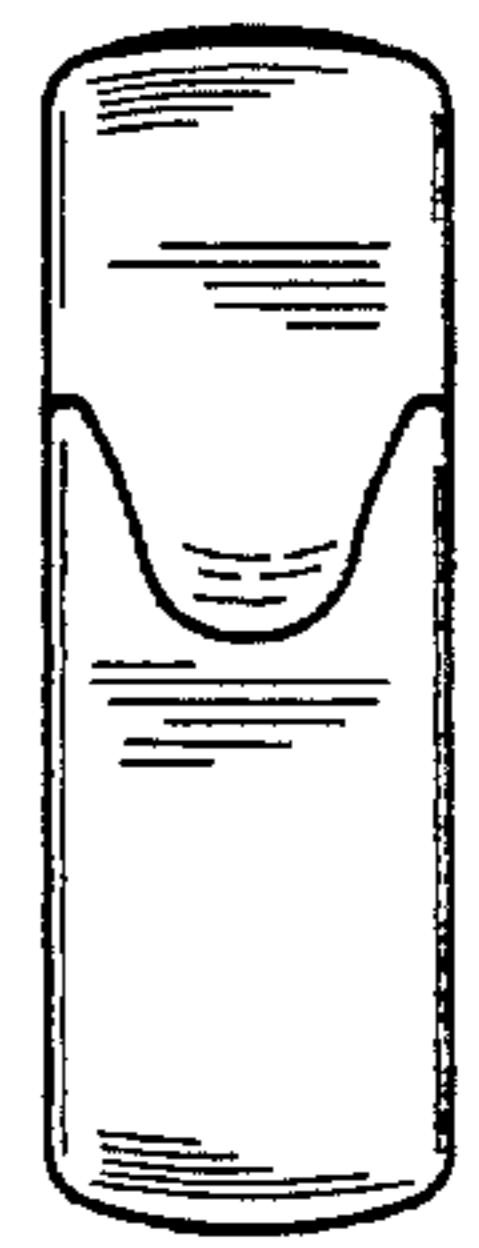


Fig. 6

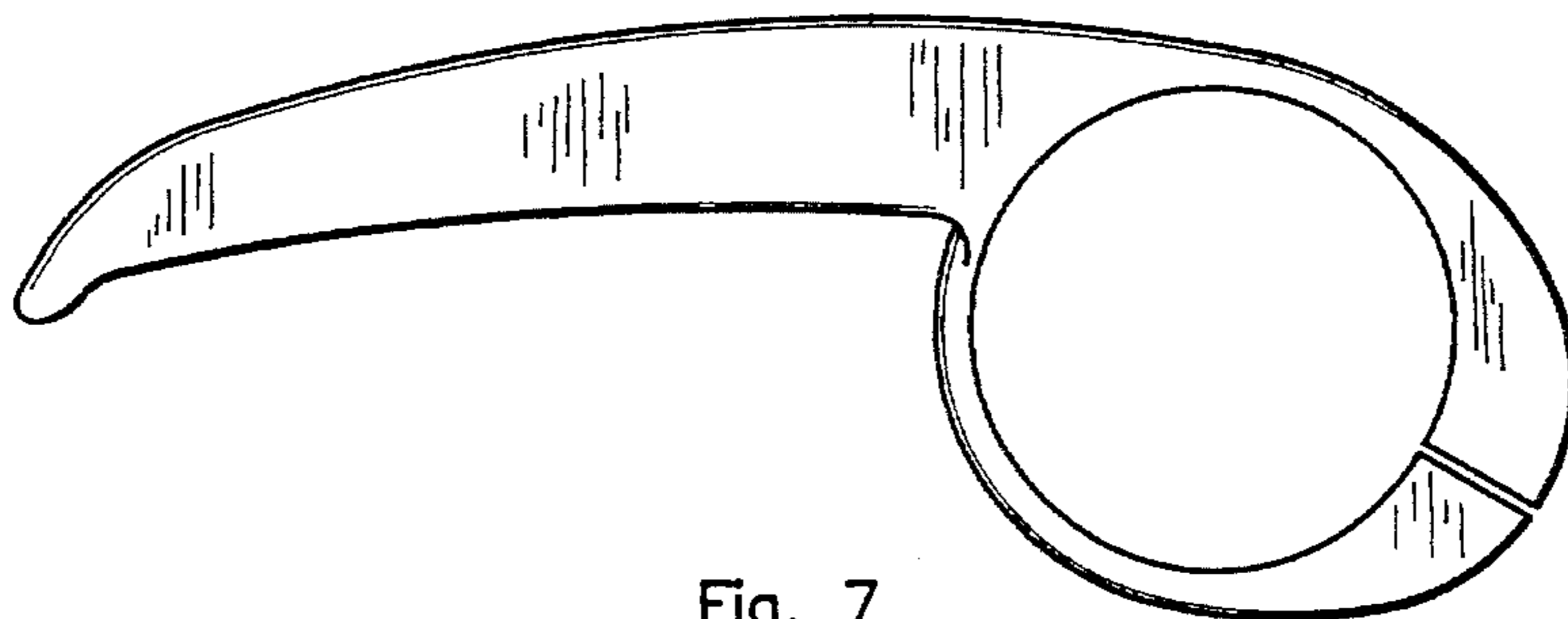


Fig. 7