



US00D363420S

**United States Patent** [19]  
**Warner**

[11] **Patent Number: Des. 363,420**  
[45] **Date of Patent: \*\*Oct. 24, 1995**

[54] **PNEUMATIC ROTARY TOOL**  
[75] Inventor: **Donald R. Warner**, Columbia Cross Roads, Pa.  
[73] Assignee: **Ingersoll-Rand Company**, Woodcliff Lake, N.J.  
[\*\*] Term: **14 Years**  
[21] Appl. No.: **27,940**  
[22] Filed: **Sep. 2, 1994**  
[52] U.S. Cl. .... **D8/61**  
[58] **Field of Search** ..... D8/30, 61, 62, D8/107; 81/57.14, 57.42, 58.4, 466; 173/169, 170

4,708,210 11/1987 Rahm ..... 173/170

*Primary Examiner*—Alan P. Douglas  
*Assistant Examiner*—Robert M. Spear  
*Attorney, Agent, or Firm*—Walter C. Vliet

[57] **CLAIM**

The ornamental design for a pneumatic rotary tool, as shown and described.

**DESCRIPTION**

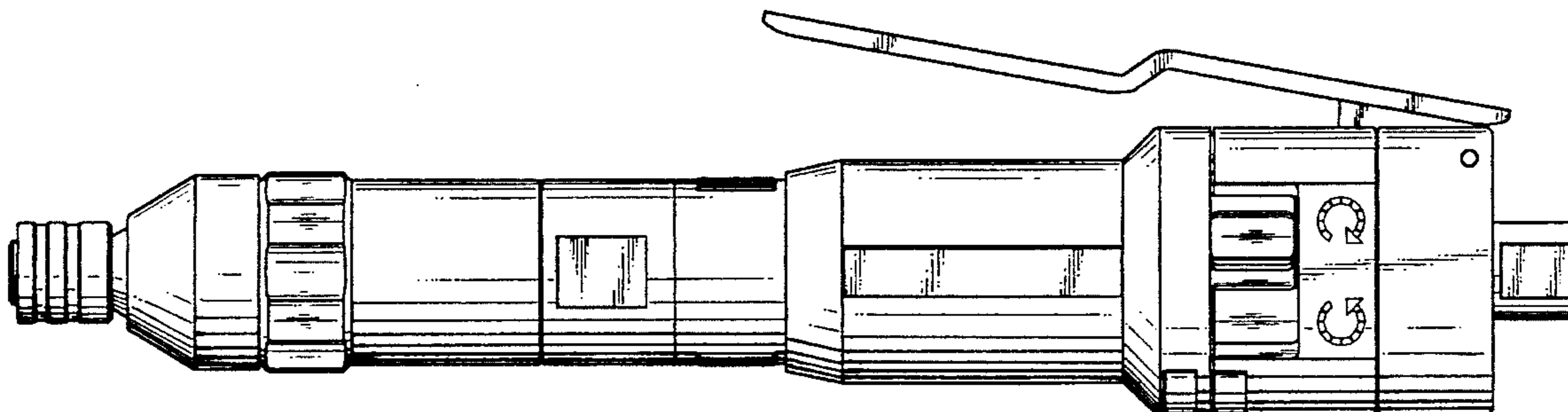
FIG. 1 is a top view of a pneumatic rotary tool;  
FIG. 2 is a left side view of a pneumatic rotary tool according to the present invention;  
FIG. 3 is a bottom view of a pneumatic rotary tool according to the present invention;  
FIG. 4 is a right side view of a pneumatic rotary tool according to the present invention;  
FIG. 5 is a front end view of a pneumatic rotary tool according to the present invention; and,  
FIG. 6 is a back end view of a pneumatic rotary tool according to the present invention.

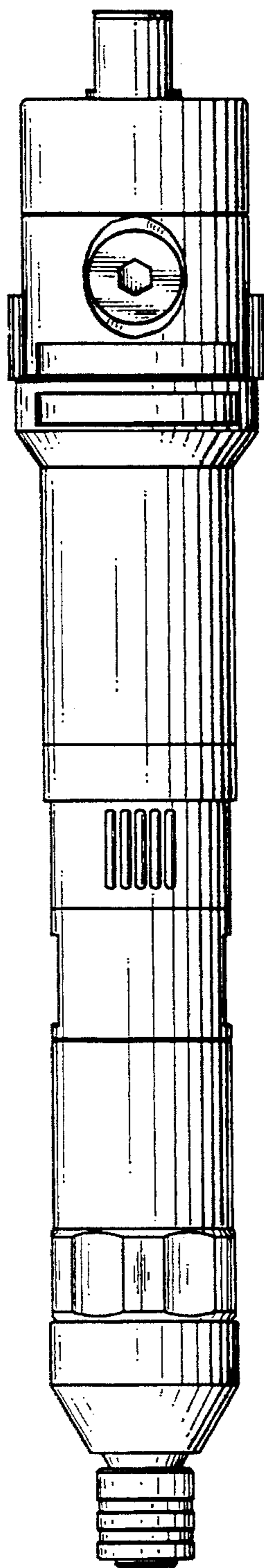
[56] **References Cited**

**U.S. PATENT DOCUMENTS**

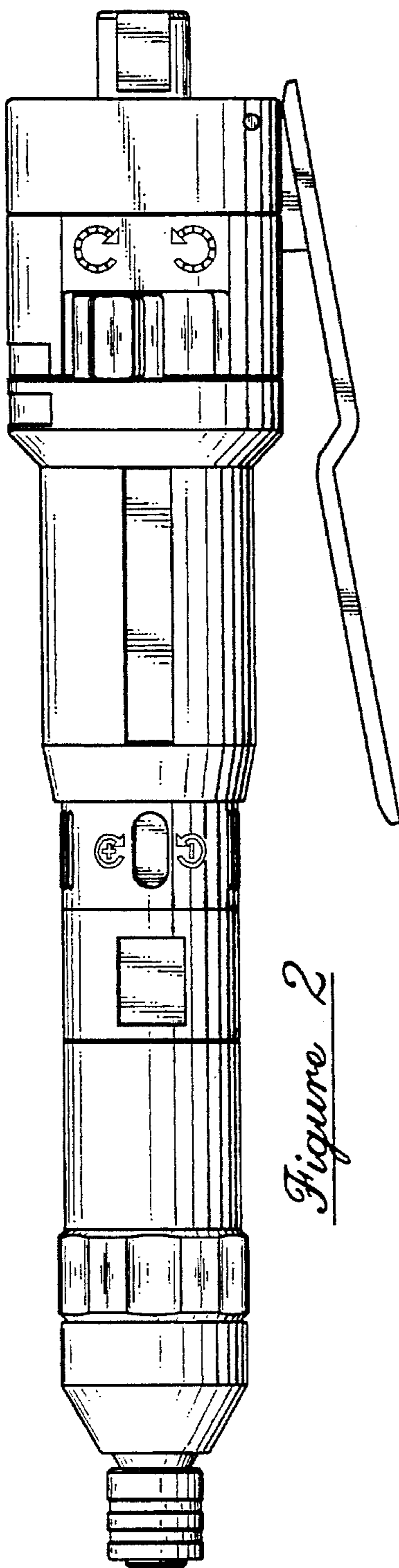
D. 293,073	12/1987	Kurihara et al. ....	D8/61
D. 297,104	8/1988	Svetlik .....	D8/61
D. 332,733	1/1993	Staubitz et al. ....	D8/61
D. 336,228	6/1993	Anderson et al. ....	D8/61

**1 Claim, 2 Drawing Sheets**

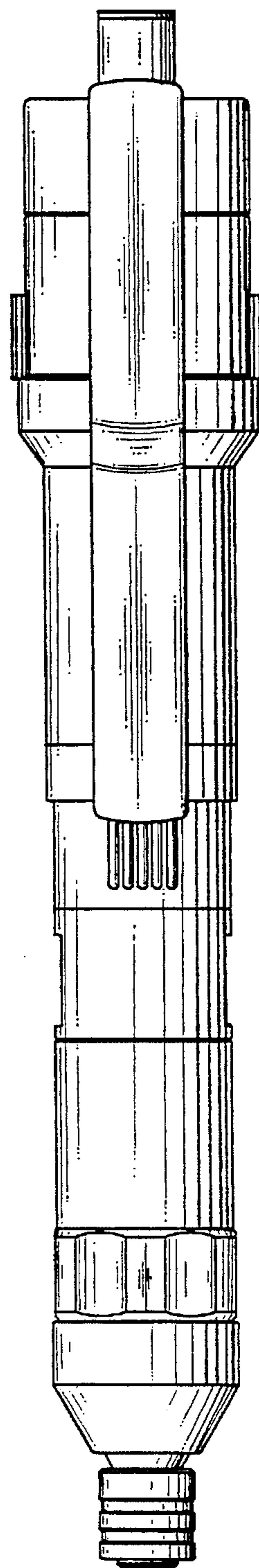




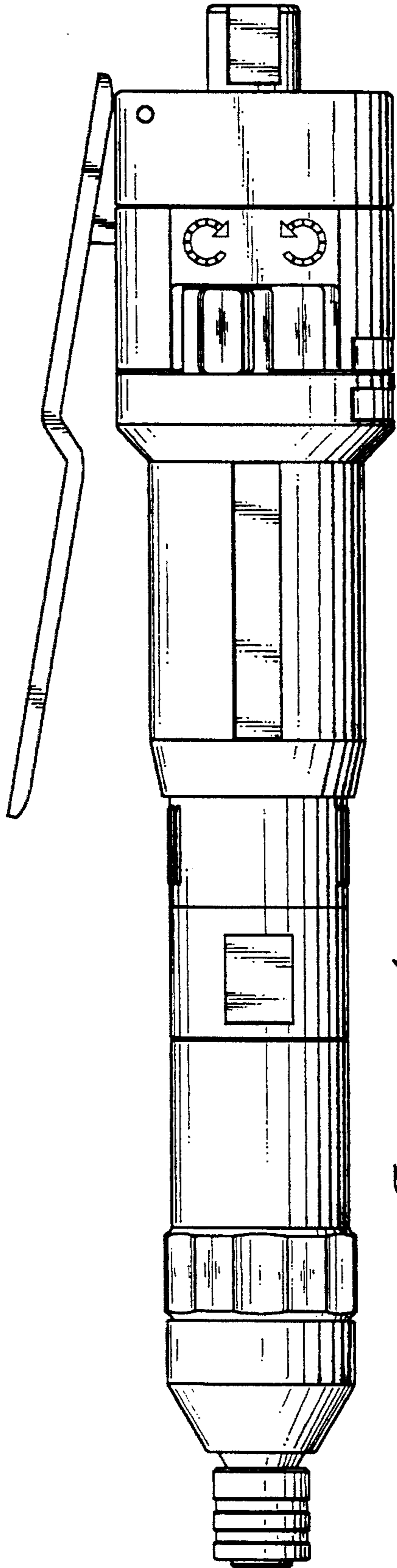
*Figure 1*



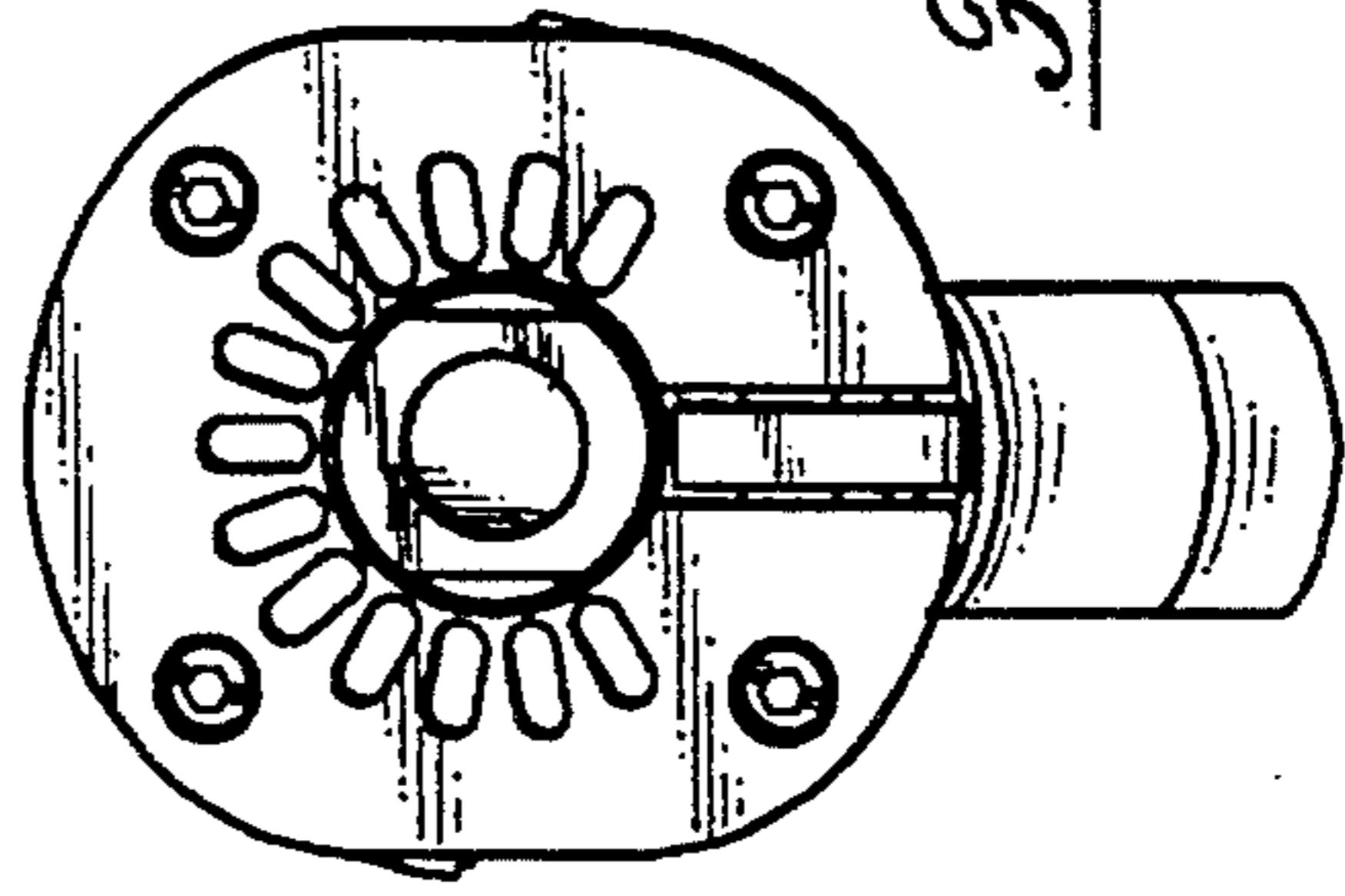
*Figure 2*



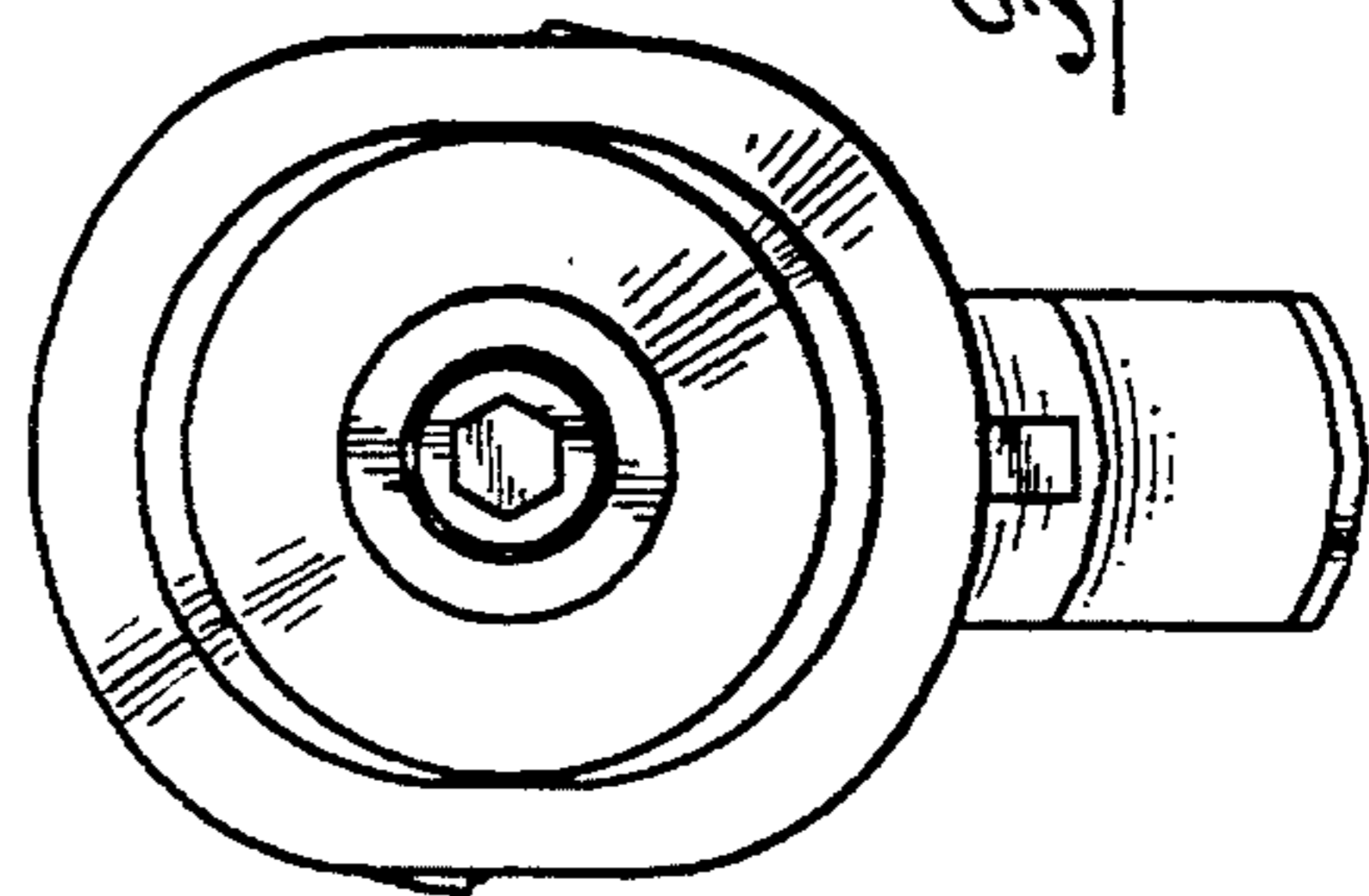
*Figure 3*



*Figure 4*



*Figure 6*



*Figure 5*