



US00D363419S

United States Patent [19]

Dixon

[11] Patent Number: **Des. 363,419**

[45] Date of Patent: ****Oct. 24, 1995**

[54] **HANDGRIP LUG WRENCH RATCHET**

4,334,445	6/1982	Timewell	81/60 X
4,899,625	2/1990	Lymburner	.
4,920,592	5/1990	Scott	.
4,972,742	11/1990	Brown	.

[76] Inventor: **Johnnie L. Dixon**, 417 E. Fernwood Ave., Memphis, Tenn. 38106

[**] Term: **14 Years**

Primary Examiner—Terry A. Wallace
Assistant Examiner—Richelle Shelton

[21] Appl. No.: **26,393**

[57] **CLAIM**

[22] Filed: **Jul. 25, 1994**

The ornamental design for the handgrip lug wrench ratchet, as shown and described.

[52] U.S. Cl. **D8/25**

[58] Field of Search D8/21, 25, 29;
81/60-63, 63.1, 63.2, 121.1, 125, 177.1;
7/100

DESCRIPTION

FIG. 1 is a front elevational view of the handgrip lug wrench ratchet showing my new design;
FIG. 2 is a rear elevational view thereof;
FIG. 3 is a left side elevational view thereof;
FIG. 4 is a right side elevational view thereof;
FIG. 5 is a top plan view thereof; and,
FIG. 6 is a bottom plan view thereof.

[56] **References Cited**

U.S. PATENT DOCUMENTS

D. 59,325	10/1921	Bellows	D8/29
1,585,338	5/1926	Fisher et al.	81/125
3,274,864	9/1966	Chapman	81/125 X
3,802,303	4/1974	Evans et al.	.
3,872,527	3/1975	Tregoning	.
3,973,283	8/1976	Boe	7/100

1 Claim, 3 Drawing Sheets

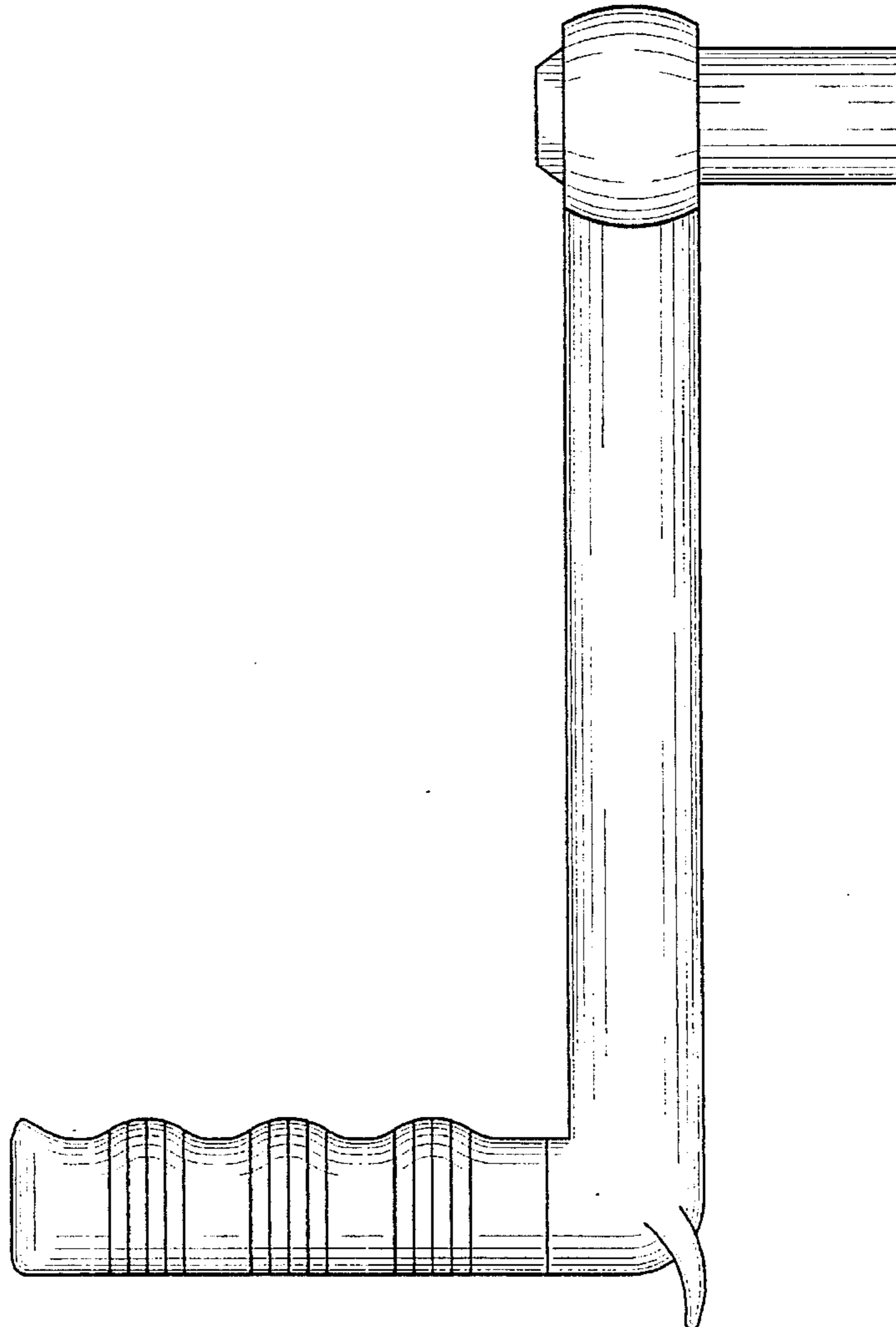


FIG. 1

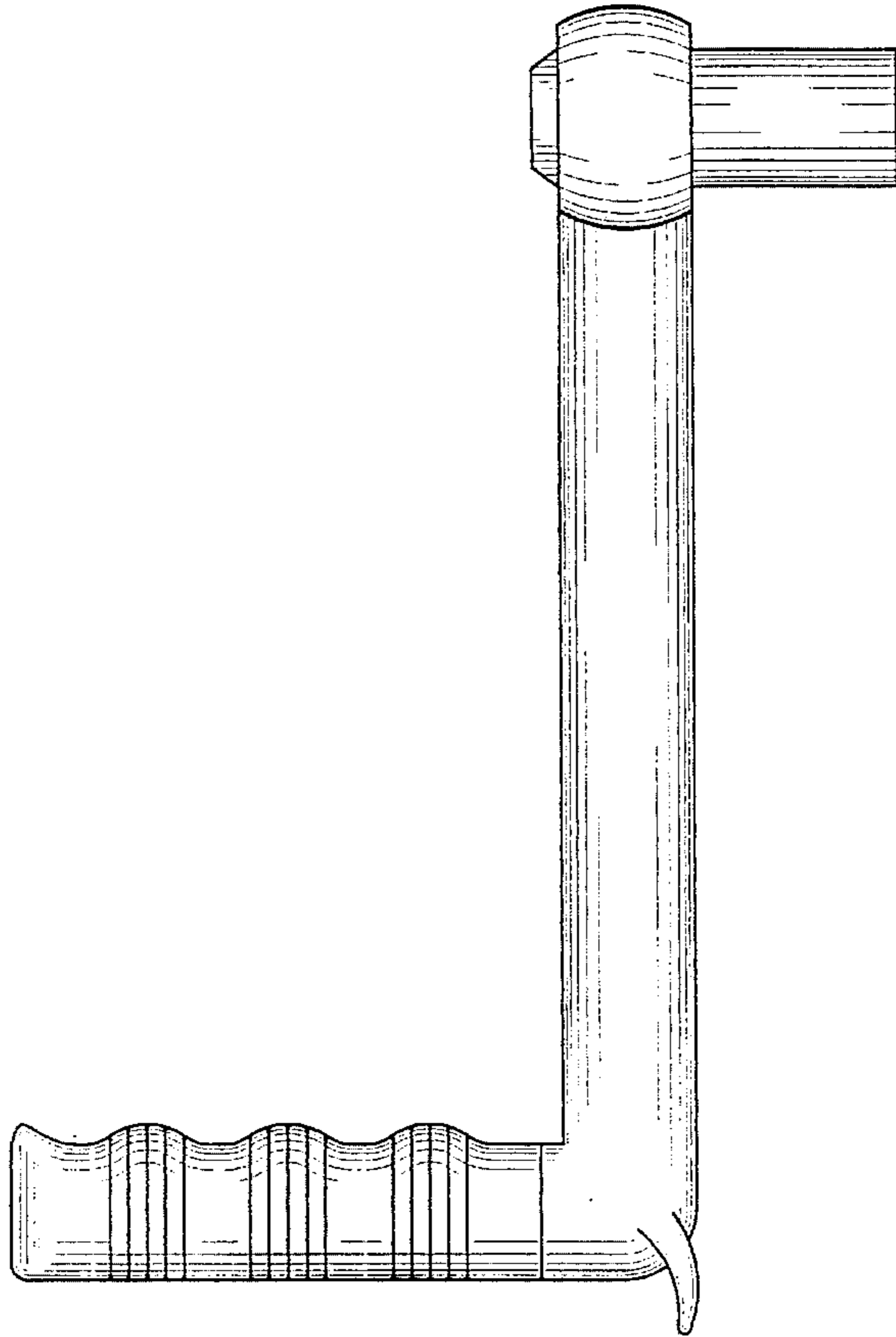


FIG. 2

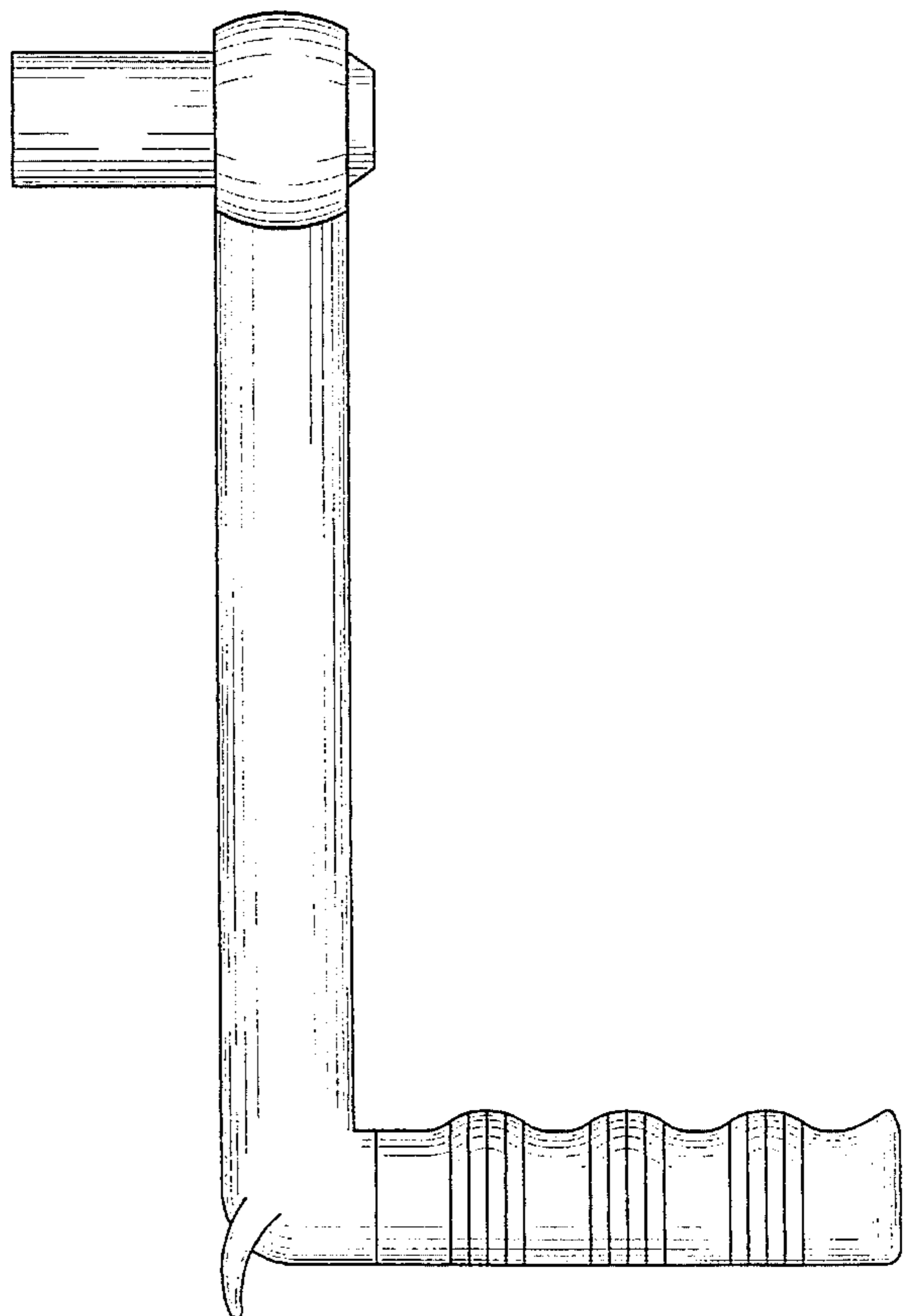


FIG. 3

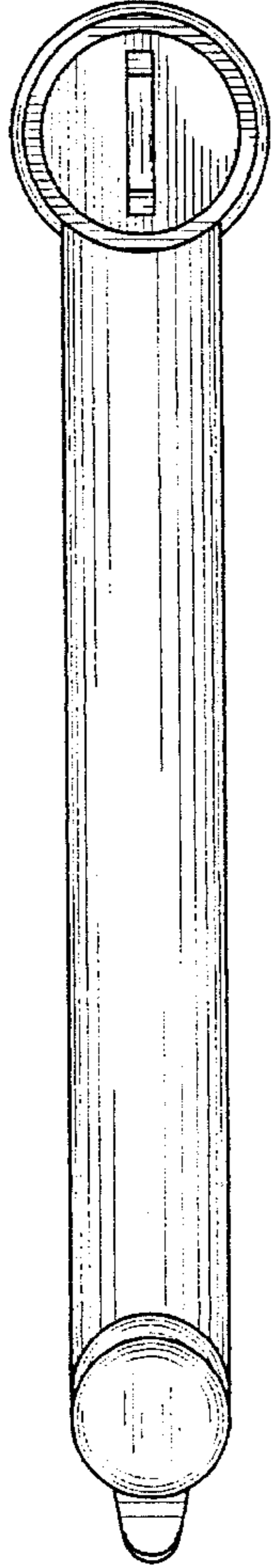


FIG. 4

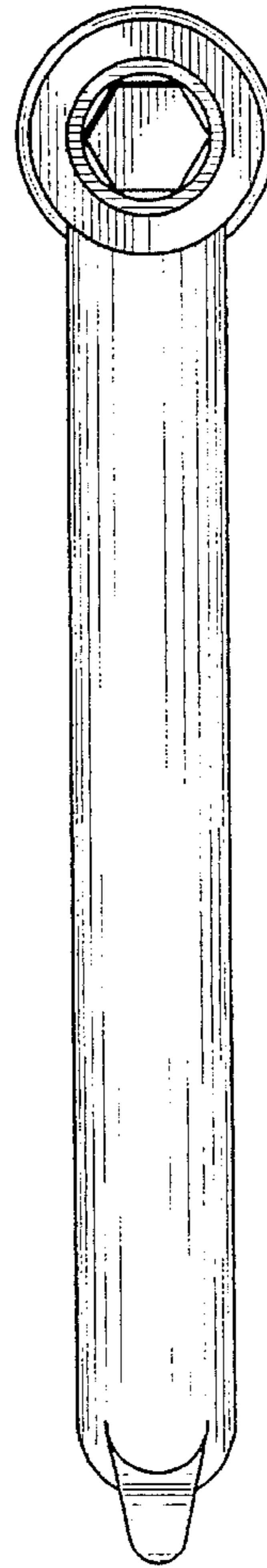


FIG. 5

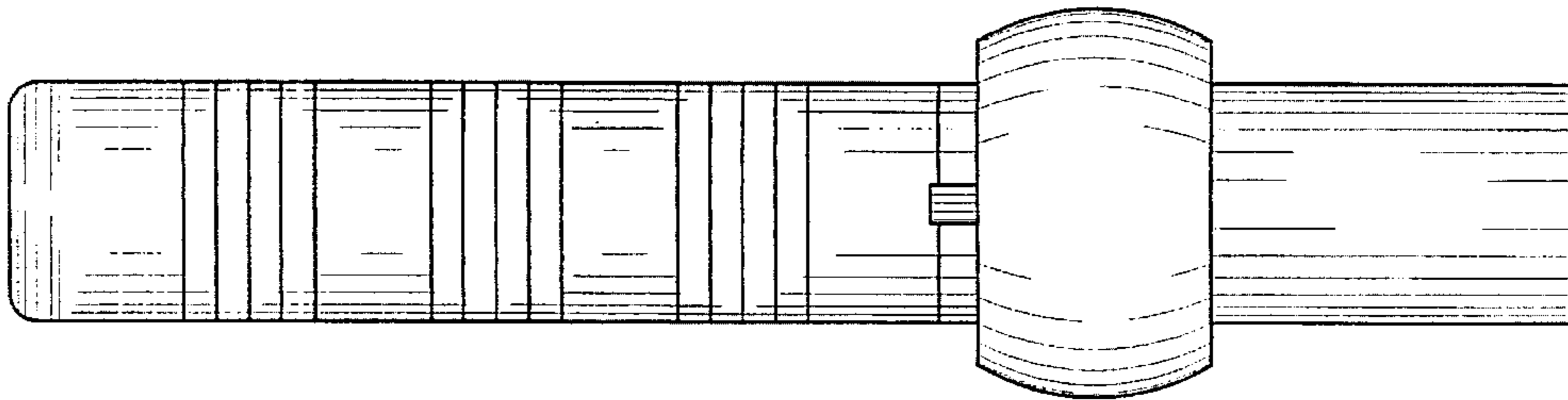


FIG. 6

