



US00D363415S

**United States Patent** [19]  
**Carlson**

[11] **Patent Number: Des. 363,415**

[45] **Date of Patent: \*\*Oct. 24, 1995**

[54] **MUG**

[75] **Inventor: Arthur R. Carlson, Rowville, Australia**

[73] **Assignee: Bemis Manufacturing Company, Sheboygan Falls, Wis.**

[\*\*] **Term: 14 Years**

[21] **Appl. No.: 14,165**

[22] **Filed: Oct. 14, 1993**

[52] **U.S. Cl. .... D7/536; D7/533**

[58] **Field of Search .... D7/507, 509, 510, D7/511, 514, 519, 523, 528, 530, 531, 532, 533, 534, 535, 505, 605, 608, 619, 622, 602, 536, 376.6; 220/709, 707**

[56] **References Cited**

**U.S. PATENT DOCUMENTS**

D. 100,852	8/1936	Cowan	.....	D7/536
D. 102,350	12/1936	Bayreuther	.....	D7/536
D. 165,834	2/1952	Gardner	.....	D7/536
D. 207,786	5/1967	Benes	.....	D7/536
D. 220,712	5/1971	Refsgaard	.....	D7/536
D. 227,135	6/1973	Davis	.....	D7/536
D. 238,647	3/1976	Gulotta	.....	D7/536
D. 247,601	3/1978	Schreckengost	.....	D7/536
D. 247,839	5/1978	Ashton	.....	D7/536 X
D. 290,324	6/1987	Ritman	.....	D7/536
D. 293,293	12/1987	Isles	.....	D7/396.6

D. 346,933	5/1994	Denny et al.	.....	D7/533 X
4,523,083	6/1985	Hamilton	.....	D7/536 X
4,869,390	9/1989	Kennedy	.....	270/709

**OTHER PUBLICATIONS**

Custard Cup No. 1111 Monogah Glass Co. Apr. 1920 Cat #6 p. 74.

Coffee Mug (bottom middle) Stile Industria #33 Aug. 1961 p. 20.

Coffee Mug, Industrial Design, May 1974 p. 56.

Stacking Cup by Toscani, Bloomingdales p. 17.

Farmhouse Teapot Betarastone, Tableware International p. 18 Jun. 1981.

*Primary Examiner*—Alan P. Douglas

*Assistant Examiner*—M. N. Pandozzi

*Attorney, Agent, or Firm*—Michael, Best & Friedrich

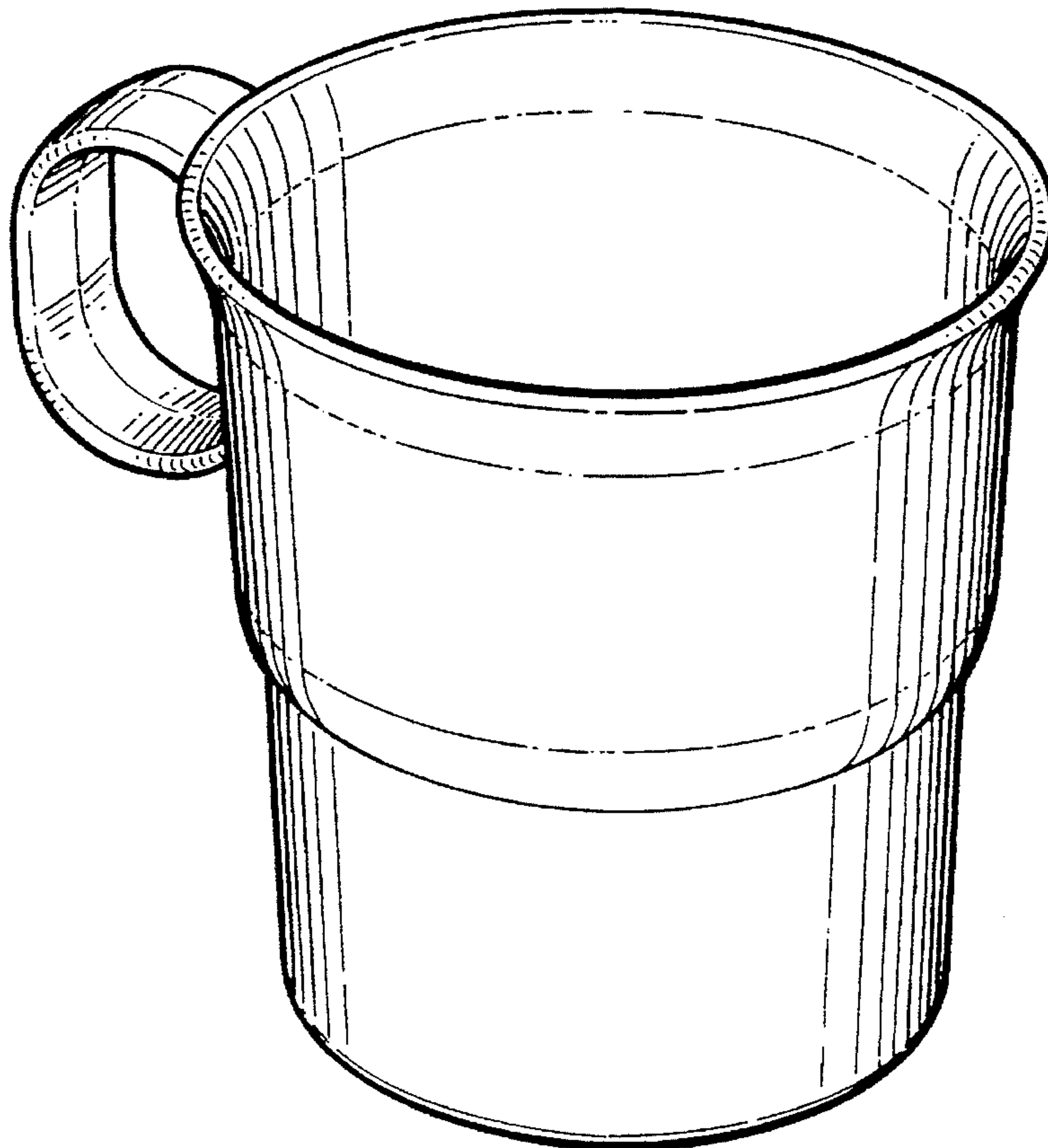
[57] **CLAIM**

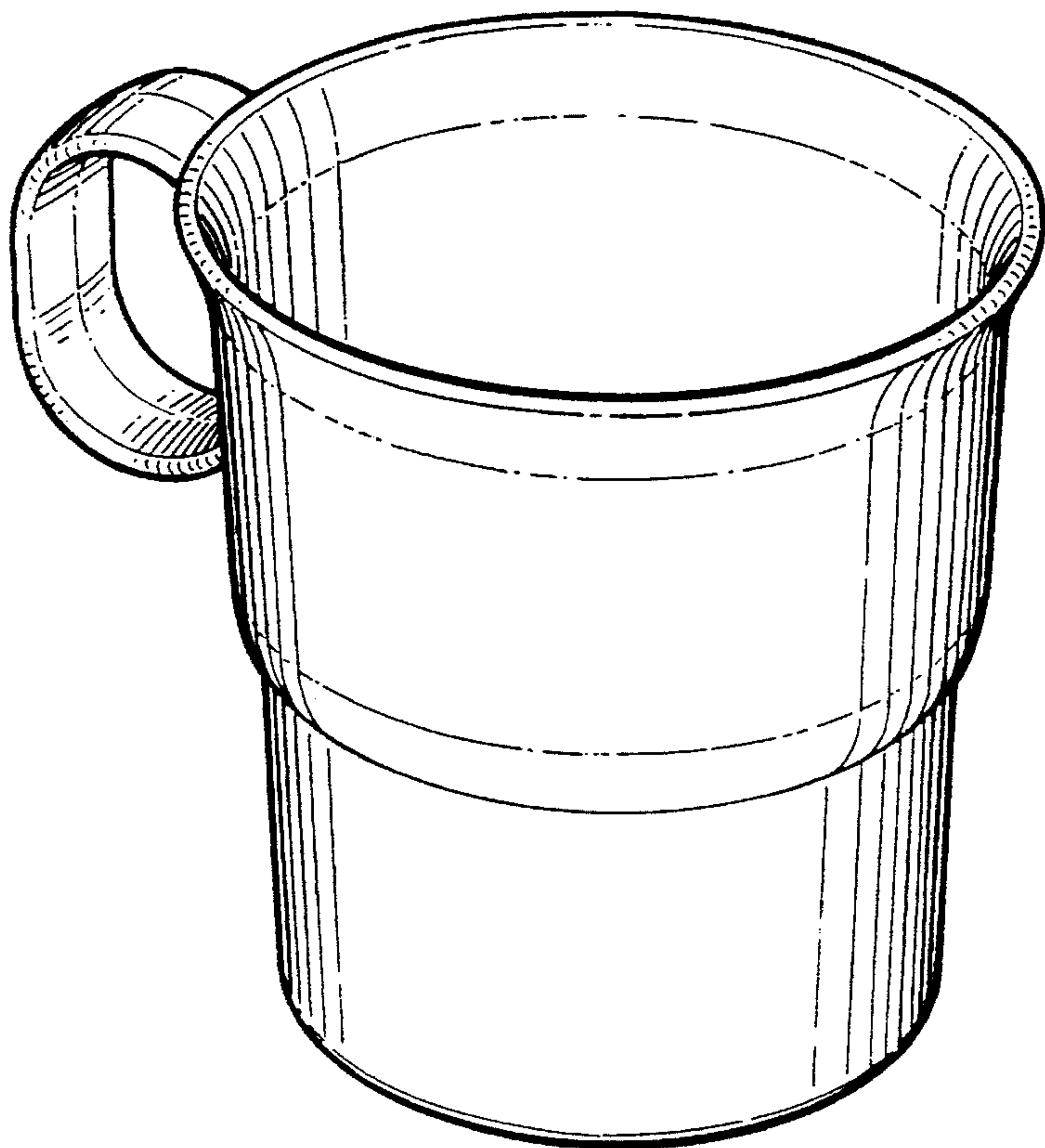
The ornamental design for a mug, as shown.

**DESCRIPTION**

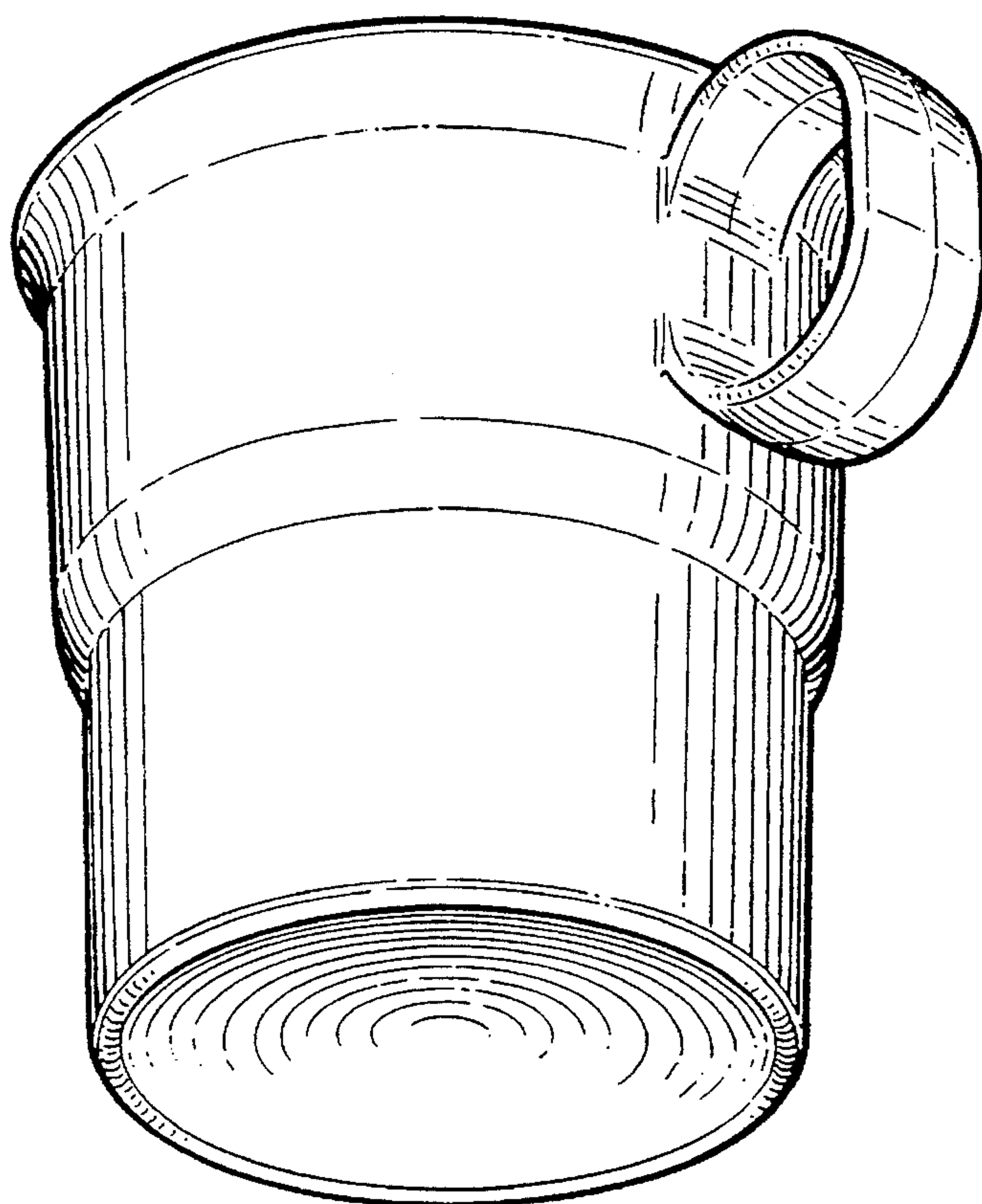
FIG. 1 is a perspective view from the front and above; FIG. 2 is a perspective view from the rear and beneath; FIG. 3 is a top plan view; FIG. 4 is a side view; FIG. 5 is a cross-sectional view thereof, taken along line 5—5 of FIG. 3; and, FIG. 6 is a bottom plan view thereof.

**1 Claim, 3 Drawing Sheets**





*FIG. 1.*



*FIG. 2.*

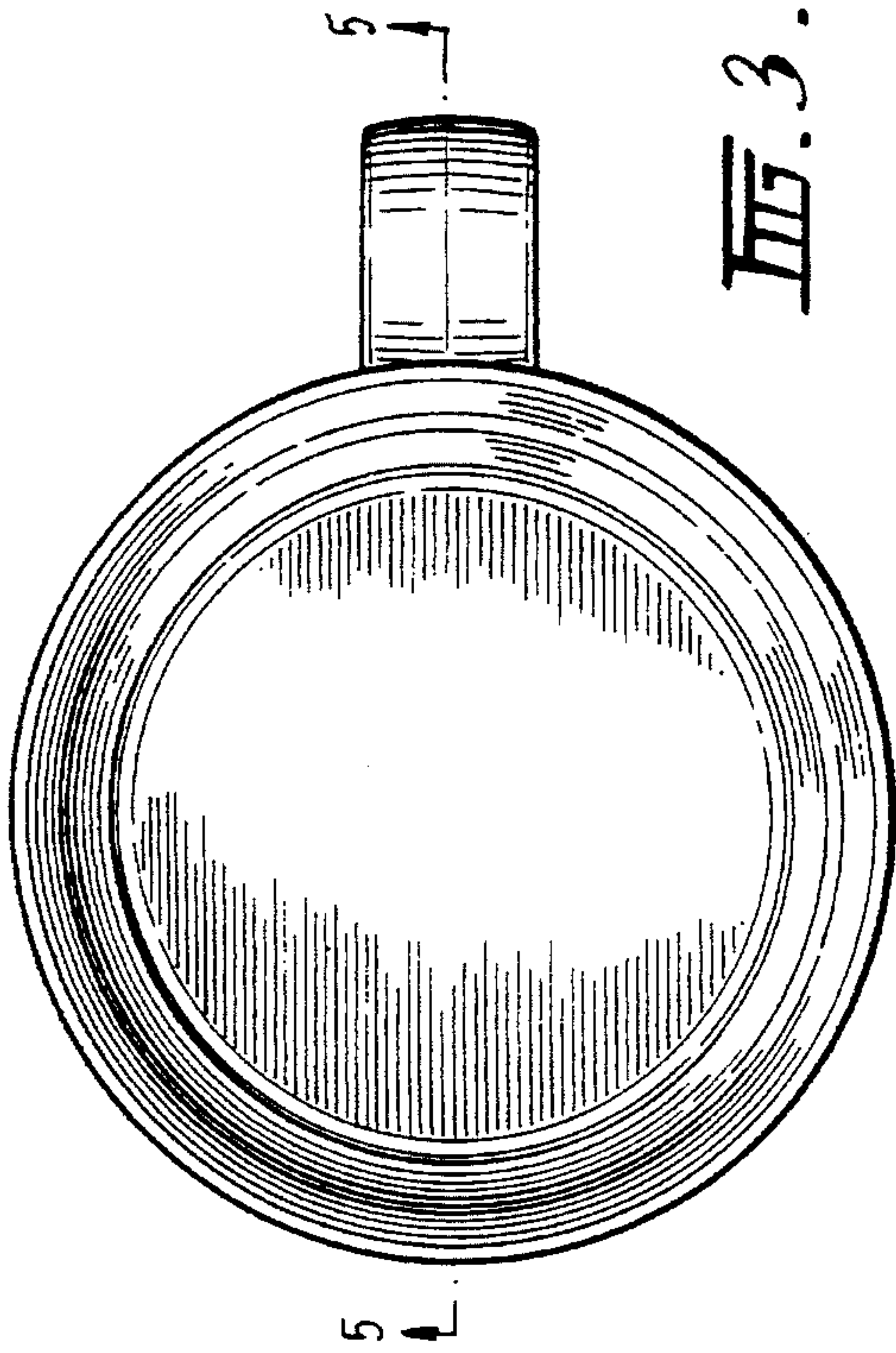


FIG. 3.

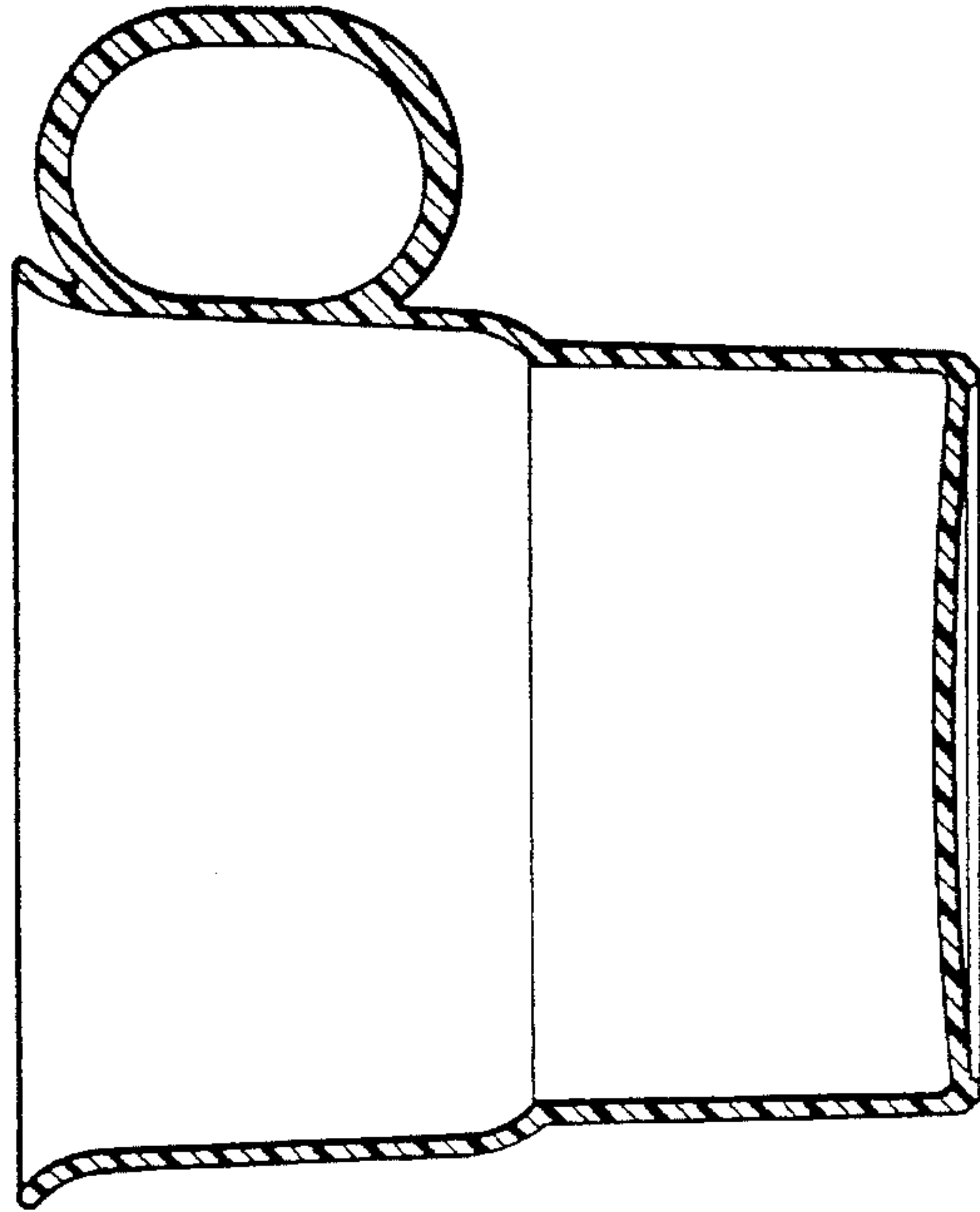


FIG. 5.

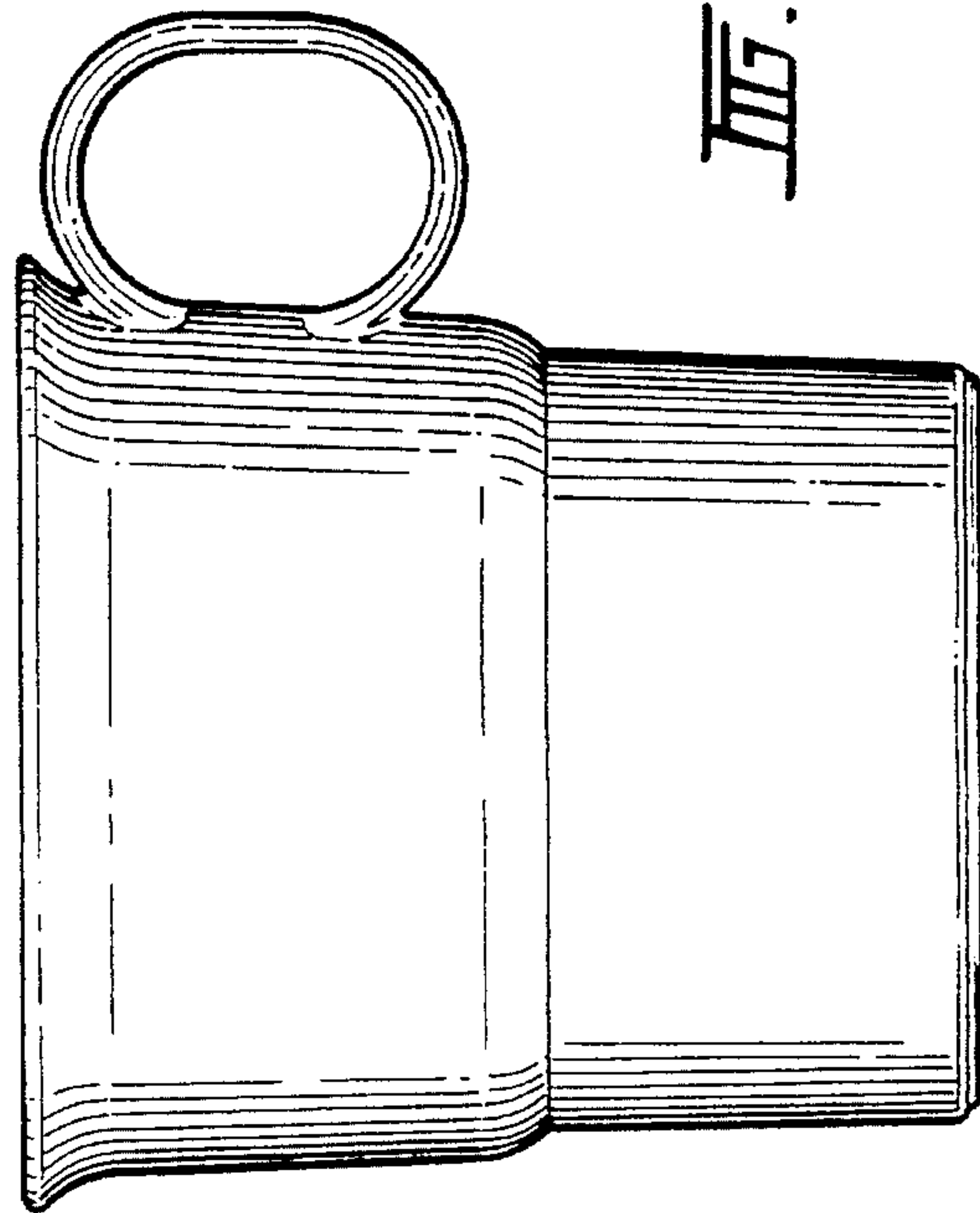
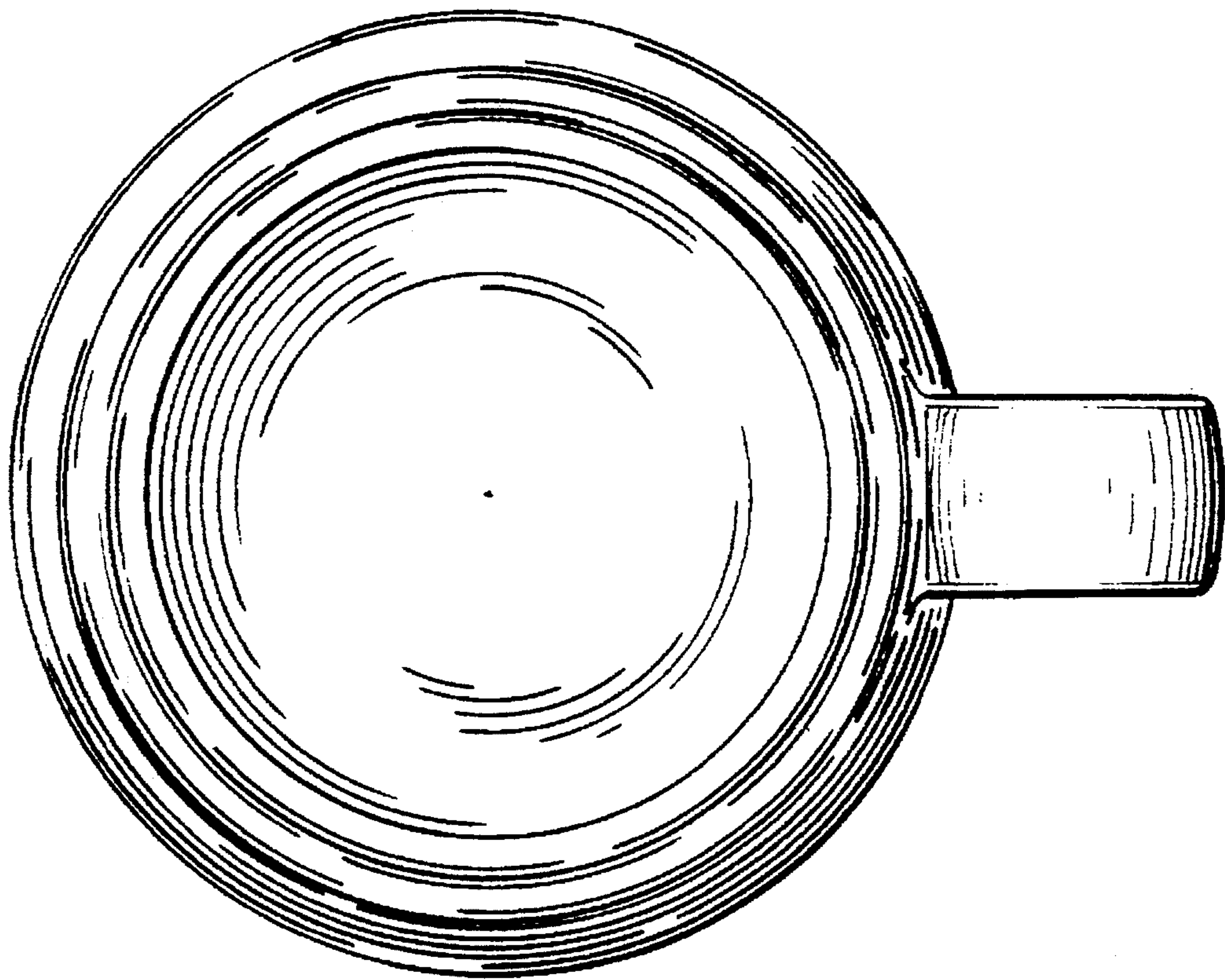


FIG. 4.





*FIG. 6*