



US00D363414S

# United States Patent [19]

[11] Patent Number: **Des. 363,414**

Goto et al.

[45] Date of Patent: **\*\*Oct. 24, 1995**

[54] **CUP WITH LID**

[75] Inventors: **Toru Goto; Yukari Kawamura**, both of Tokyo, Japan

[73] Assignee: **Nippon Sanso Corporation**, Tokyo, Japan

[\*\*] Term: **14 Years**

[21] Appl. No.: **19,235**

[22] Filed: **Feb. 25, 1994**

[30] **Foreign Application Priority Data**

Aug. 31, 1993 [JP] Japan ..... 5-26366

[52] **U.S. Cl.** ..... **D7/533; D7/511**

[58] **Field of Search** ..... D7/510, 511, 507, D7/509, 514, 523, 533, 608, 503; D9/551, 564, 503, 504, 500, 538, 539, 532, 502, 557, 440, 445, 446, 437, 438, 443, 452, 453, 454, 455; 220/703, 711, 713, 705, 707, 709, 714, 715, 675; 215/1 A, 327

[56] **References Cited**

**U.S. PATENT DOCUMENTS**

- D. 220,358 3/1971 Bewley ..... D7/608
- D. 246,029 10/1977 Lynn et al. .... D9/503
- D. 274,209 6/1984 Kikuchi ..... D7/608
- D. 274,848 7/1984 Chevassus ..... D9/504 X
- D. 276,139 10/1984 Rayner ..... D9/503

- D. 285,657 9/1986 Poore ..... D9/504
- D. 289,143 4/1987 Guillaume ..... D9/445 X
- D. 322,753 12/1991 Sussman ..... D9/504
- D. 326,586 6/1992 Embree ..... D7/533 X
- D. 328,248 7/1992 Ruff ..... D9/503 X
- D. 348,221 6/1994 Hirst et al. .... D9/443 X
- D. 351,314 10/1994 Sokolski et al. .... D7/533 X
- 4,040,549 8/1977 Sadler ..... D7/507 X
- 4,852,757 8/1989 Gold ..... 720/703 X

*Primary Examiner*—Alan P. Douglas  
*Assistant Examiner*—M. N. Pandozzi  
*Attorney, Agent, or Firm*—Lowe, Price, LeBlanc & Becker

[57] **CLAIM**

The ornamental design for the cup with lid, as shown and described.

**DESCRIPTION**

FIG. 1 is a perspective view of a cup with lid showing our new design;  
FIG. 2 is a front elevational view thereof, the opposite side being a mirror image;  
FIG. 3 is a left side elevational view thereof;  
FIG. 4 is a right side elevational view thereof;  
FIG. 5 is a top plan view thereof;  
FIG. 6 is a bottom plan view thereof; and,  
FIG. 7 is a cross-sectional view thereof taken along line 7—7 of FIG. 4.

**1 Claim, 5 Drawing Sheets**

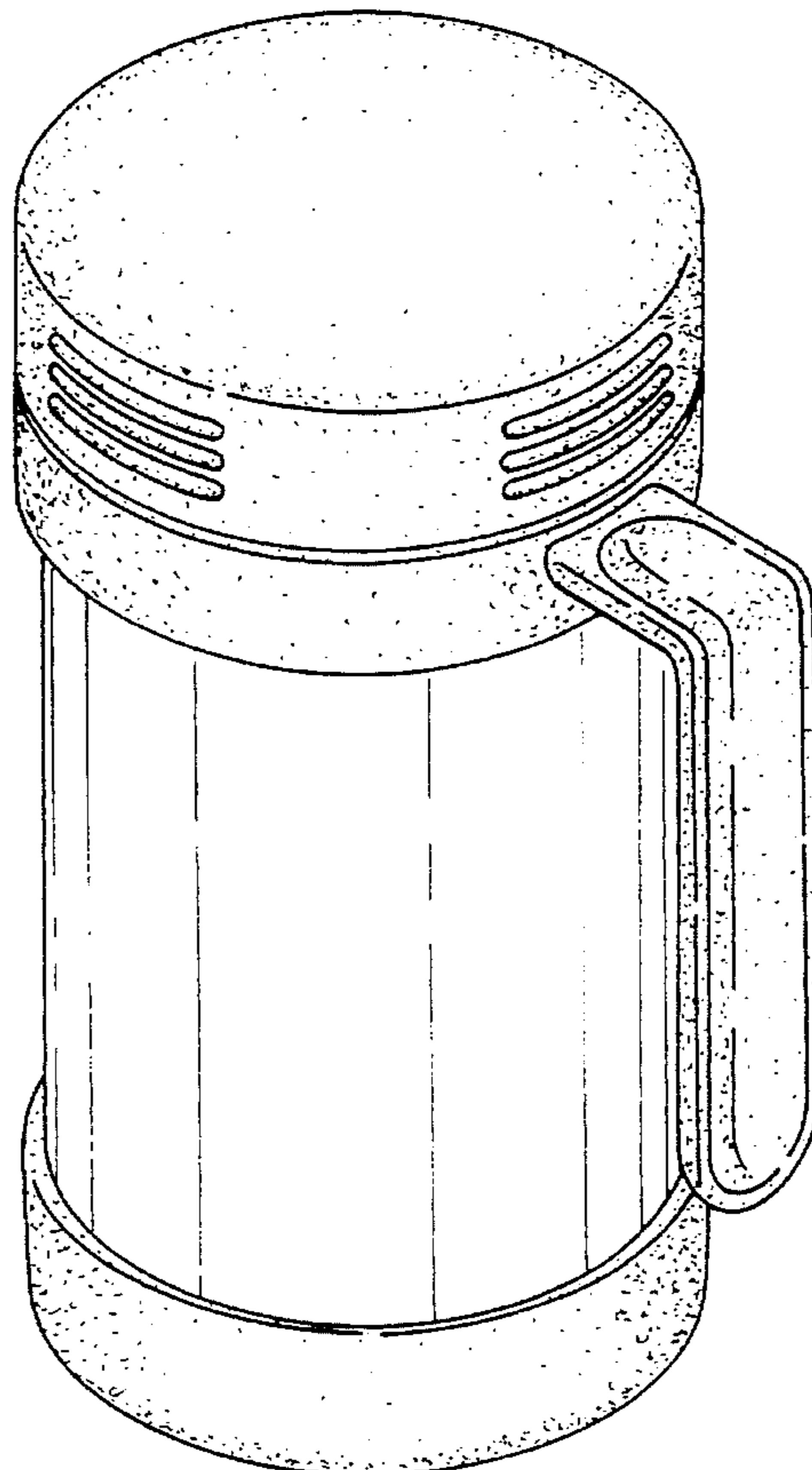


FIG. 1

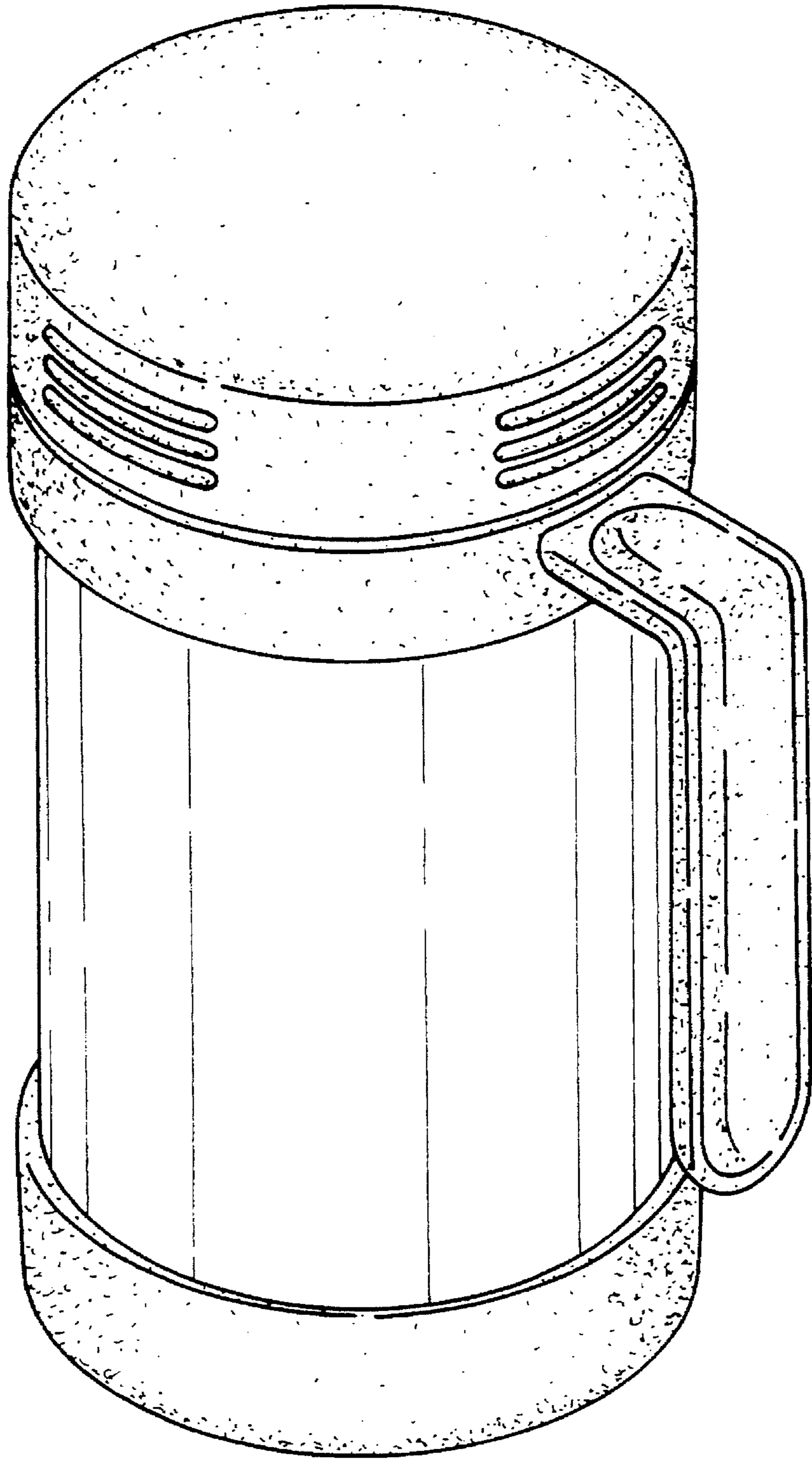


FIG. 2

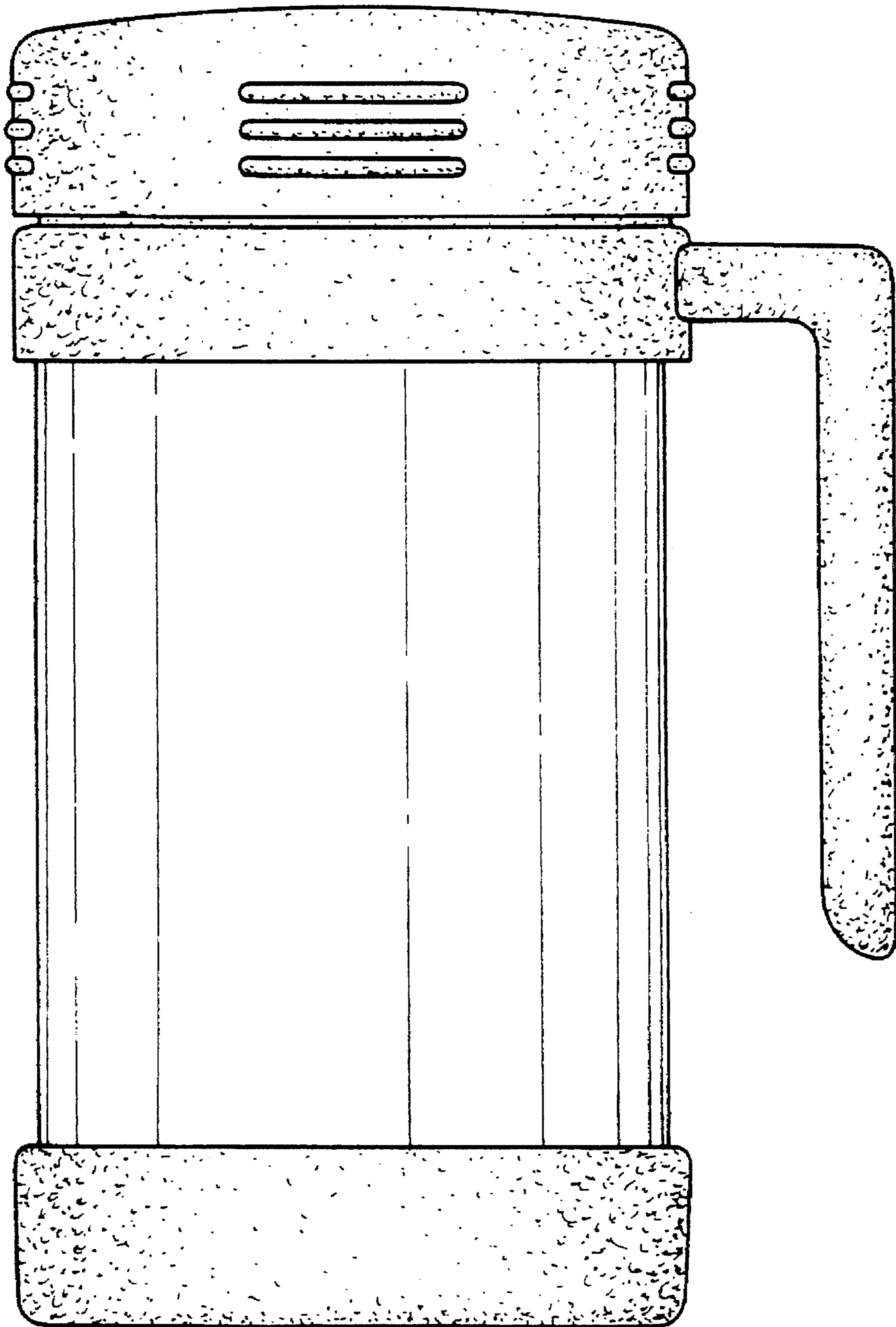


FIG.3

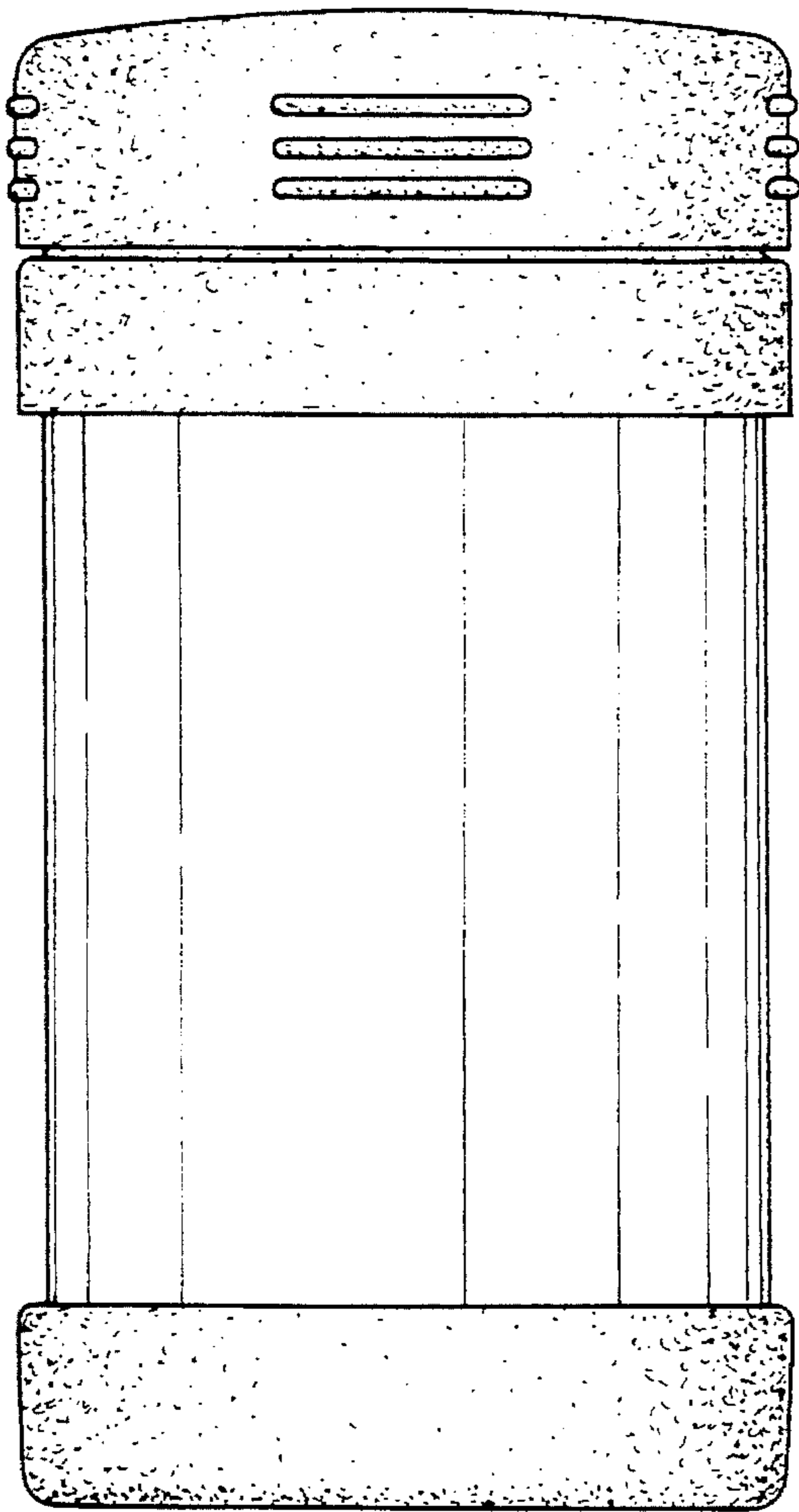


FIG.4

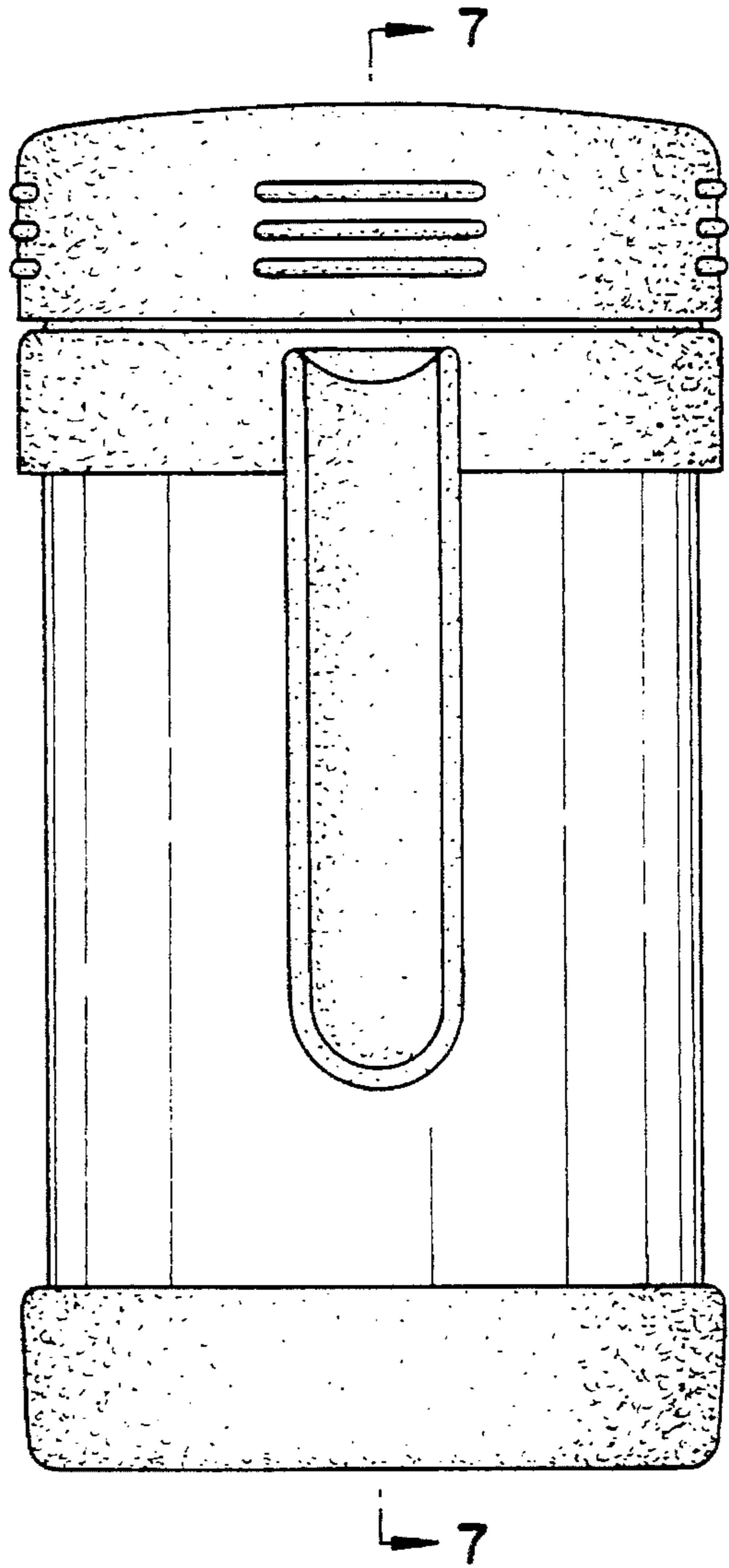


FIG.5

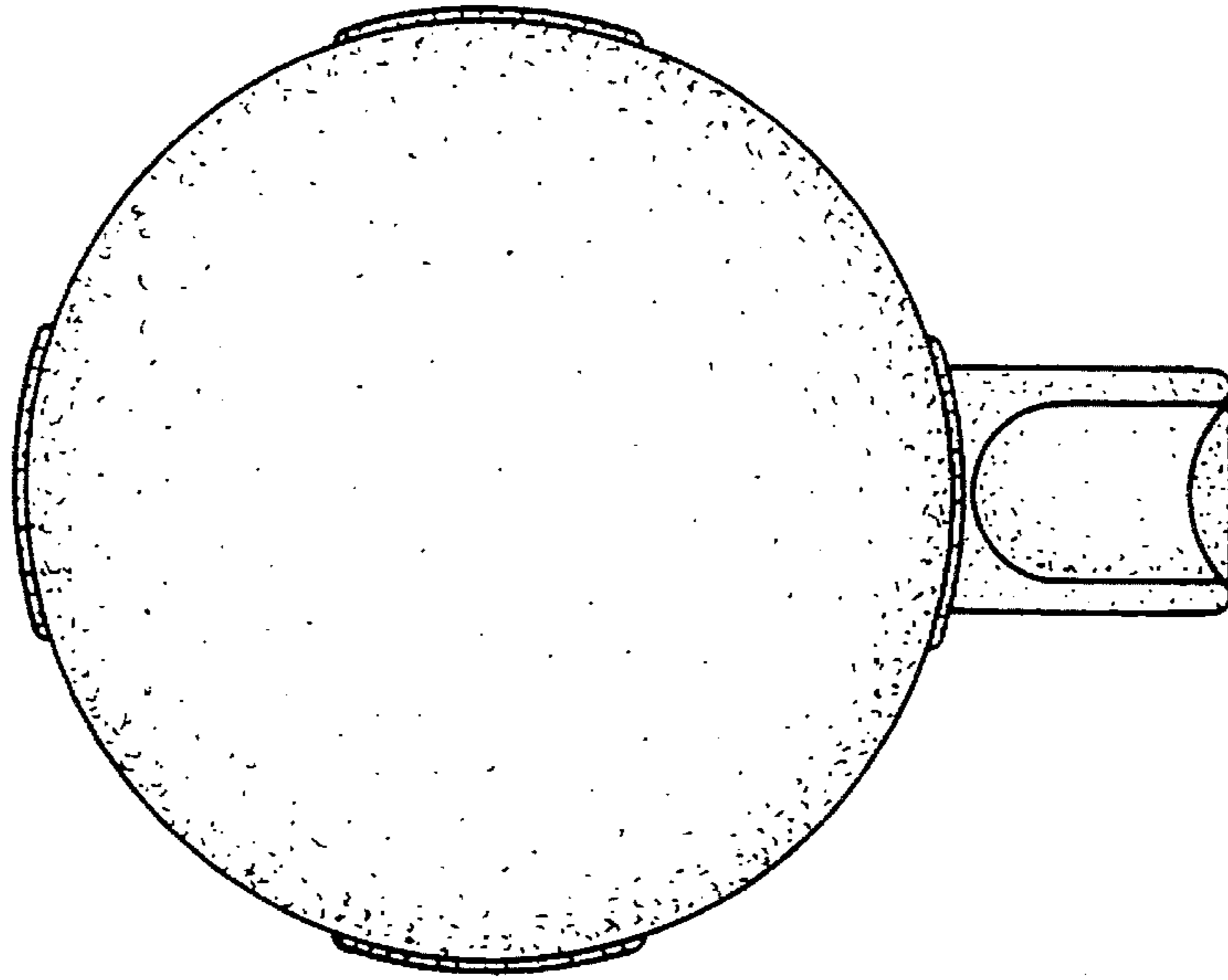


FIG.6

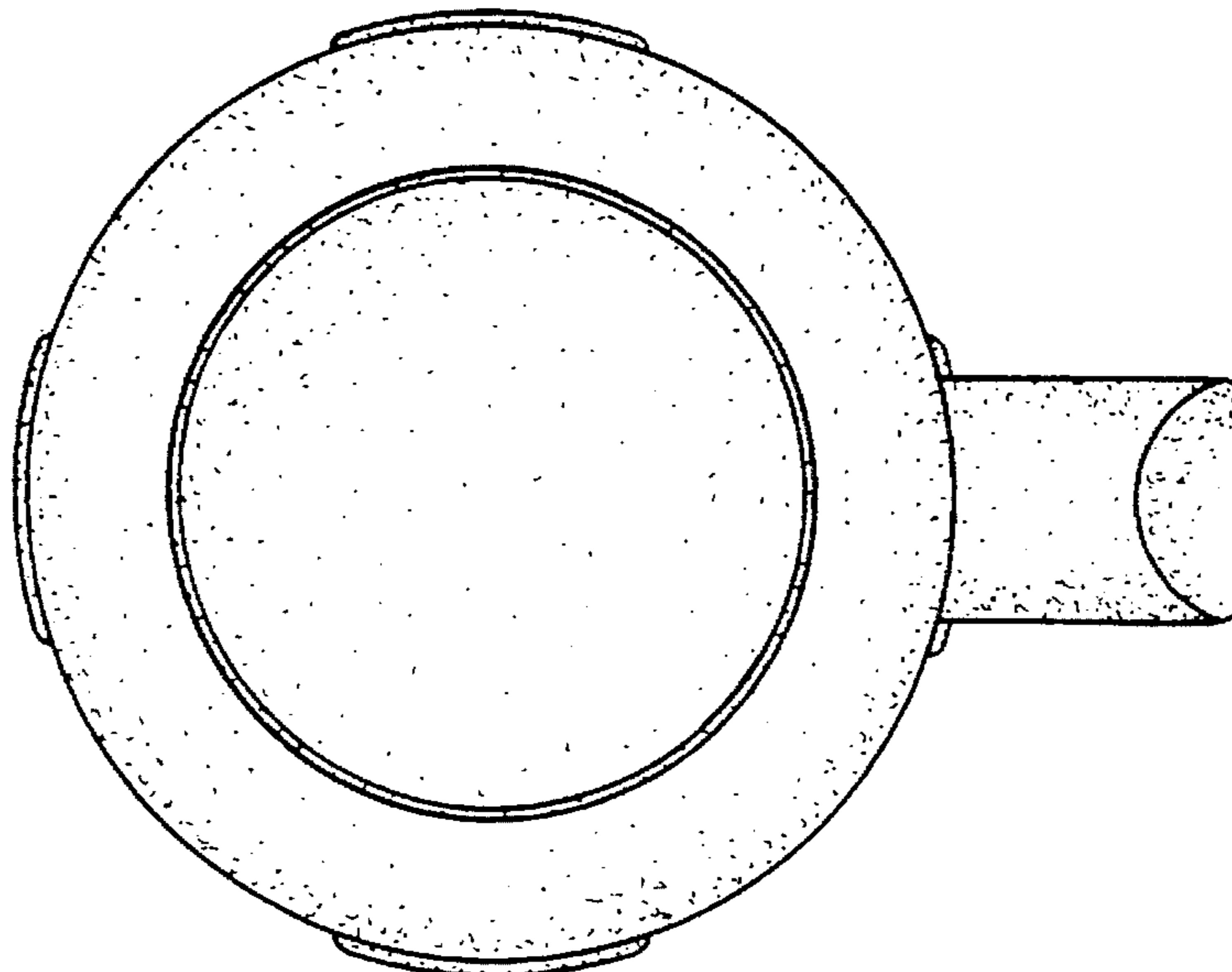


FIG. 7

