



US00D363411S

# United States Patent [19]

[11] Patent Number: **Des. 363,411**

Mock et al.

[45] Date of Patent: **\*\*Oct. 24, 1995**

[54] CORN MILL

D. 331,176	11/1992	Green	.....	D7/372
4,109,873	8/1978	Lichfield	.....	D7/372
4,155,843	5/1979	Christianson	.....	241/169.1

[75] Inventors: **Wolfgang Mock**, Otzberg-Lengfeld;  
**Ralf Pigge**, Bad Homburg, both of  
Germany

### OTHER PUBLICATIONS

Williams-Sonoma, Jan. 1982, p. 8. "Kitchen Mill II".

[73] Assignee: **Hawo's Kornmuhlen GmbH**,  
Otzberg-Lengfeld, Germany

*Primary Examiner*—Ruth McInroy

*Attorney, Agent, or Firm*—Burns, Doane, Swecker & Mathis

[\*\*] Term: **14 Years**

### [57] CLAIM

[21] Appl. No.: **22,059**

The ornamental design for a corn mill, as shown and described.

[22] Filed: **Apr. 28, 1994**

### DESCRIPTION

### [30] Foreign Application Priority Data

Nov. 4, 1993 [DE] Germany ..... M 93 08 611.3

[52] U.S. Cl. .... **D7/372**

[58] Field of Search ..... D7/372-374, 383-384,  
D7/679, 591-592, 596-597, 665; 241/DIG. 17,  
83, 168-169, 169.1, 277, 279-280, 273.1

FIG. 1 is a front perspective view of a corn mill showing our new design;

FIG. 2 is a side perspective view thereof;

FIG. 3 is a perspective view from the outlet side thereof;

FIG. 4 is a rear perspective view thereof;

FIG. 5 is a top plan view thereof; and,

FIG. 6 is a bottom plan view thereof.

The electric cord shown broken away in FIGS. 1-4 is understood to represent indeterminate length.

### [56] References Cited

#### U.S. PATENT DOCUMENTS

D. 96,679 8/1935 Kopf ..... D7/372

**1 Claim, 3 Drawing Sheets**

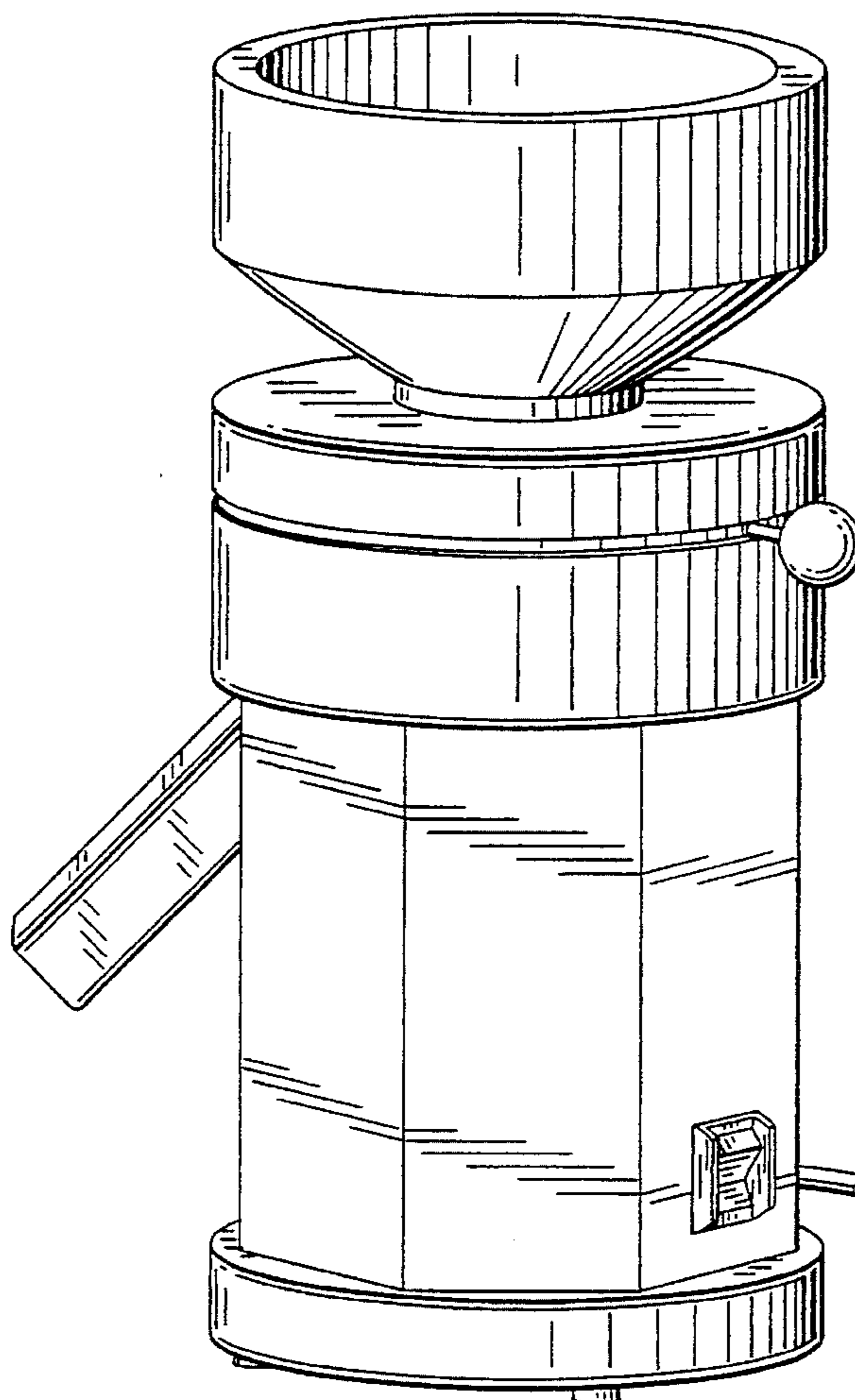


FIG. 1

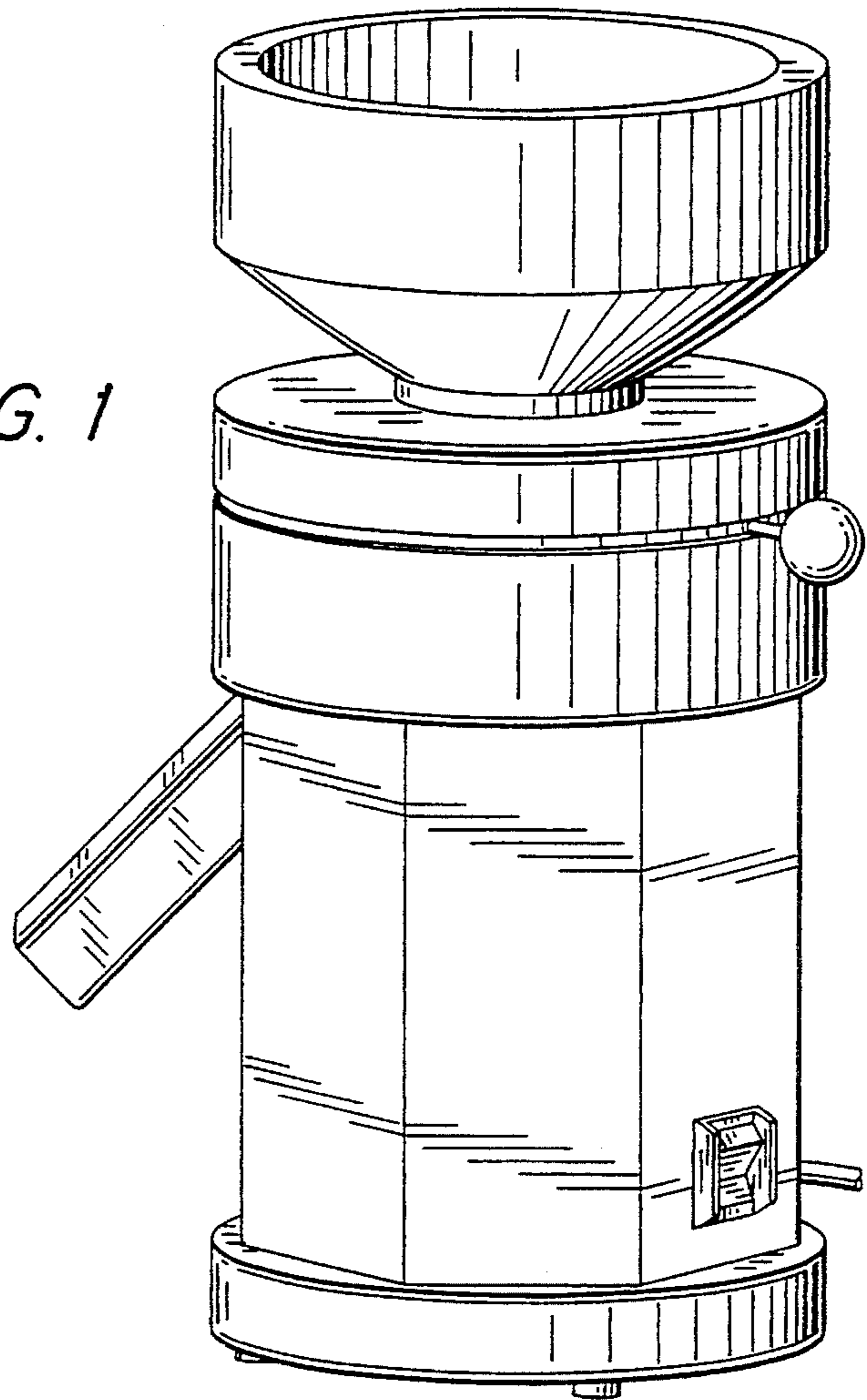


FIG. 2

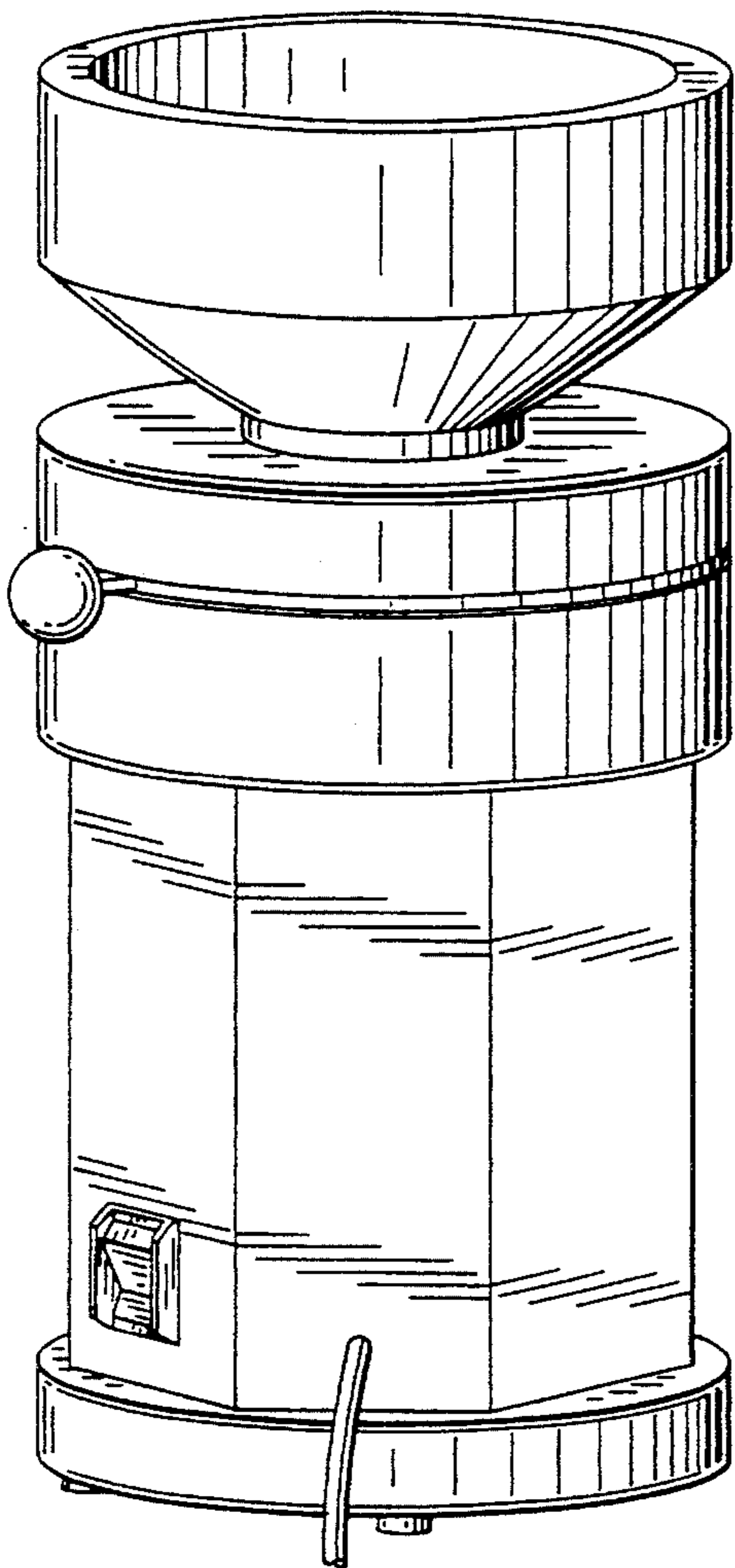


FIG. 3

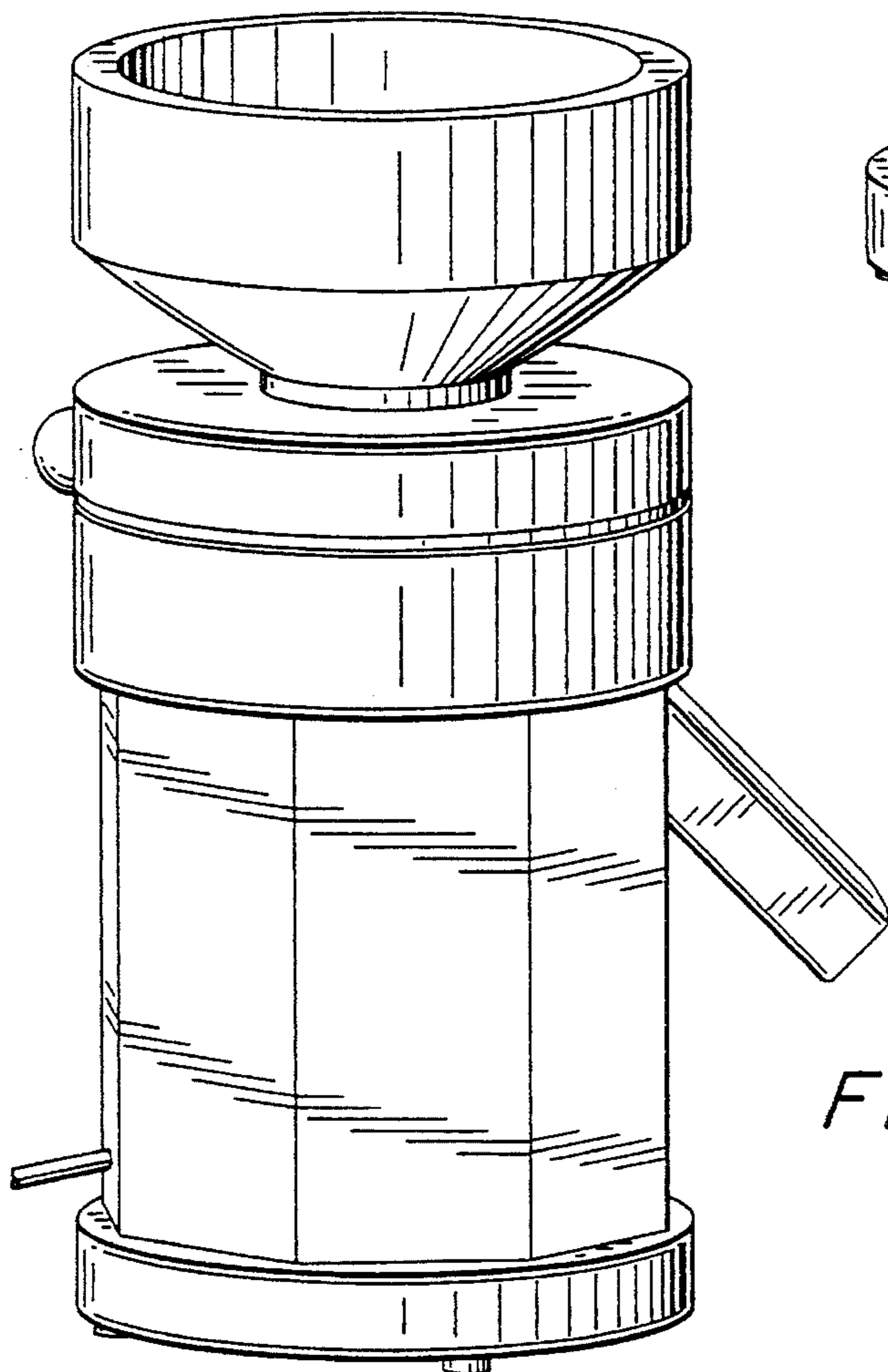
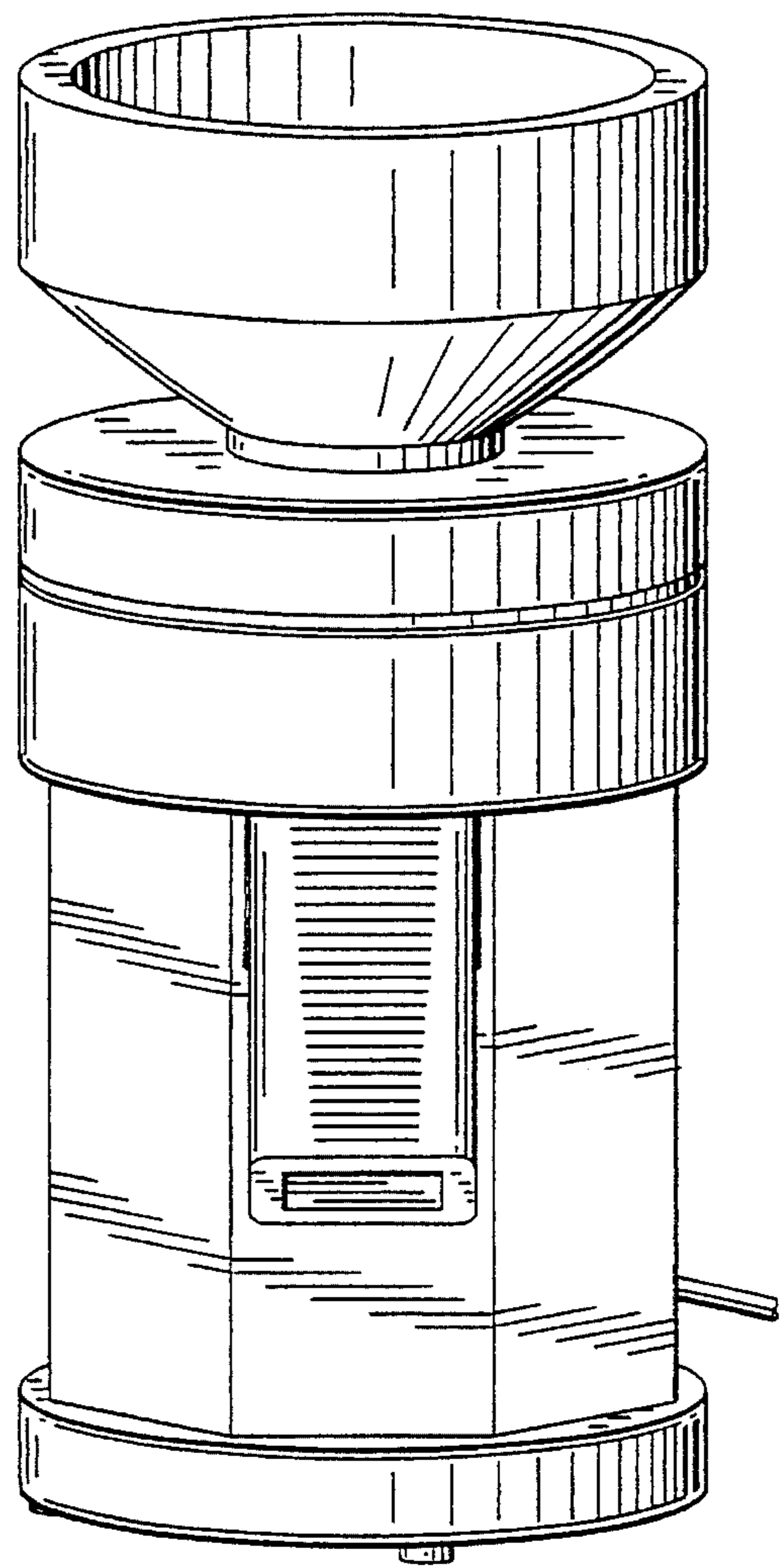


FIG. 4

FIG. 5

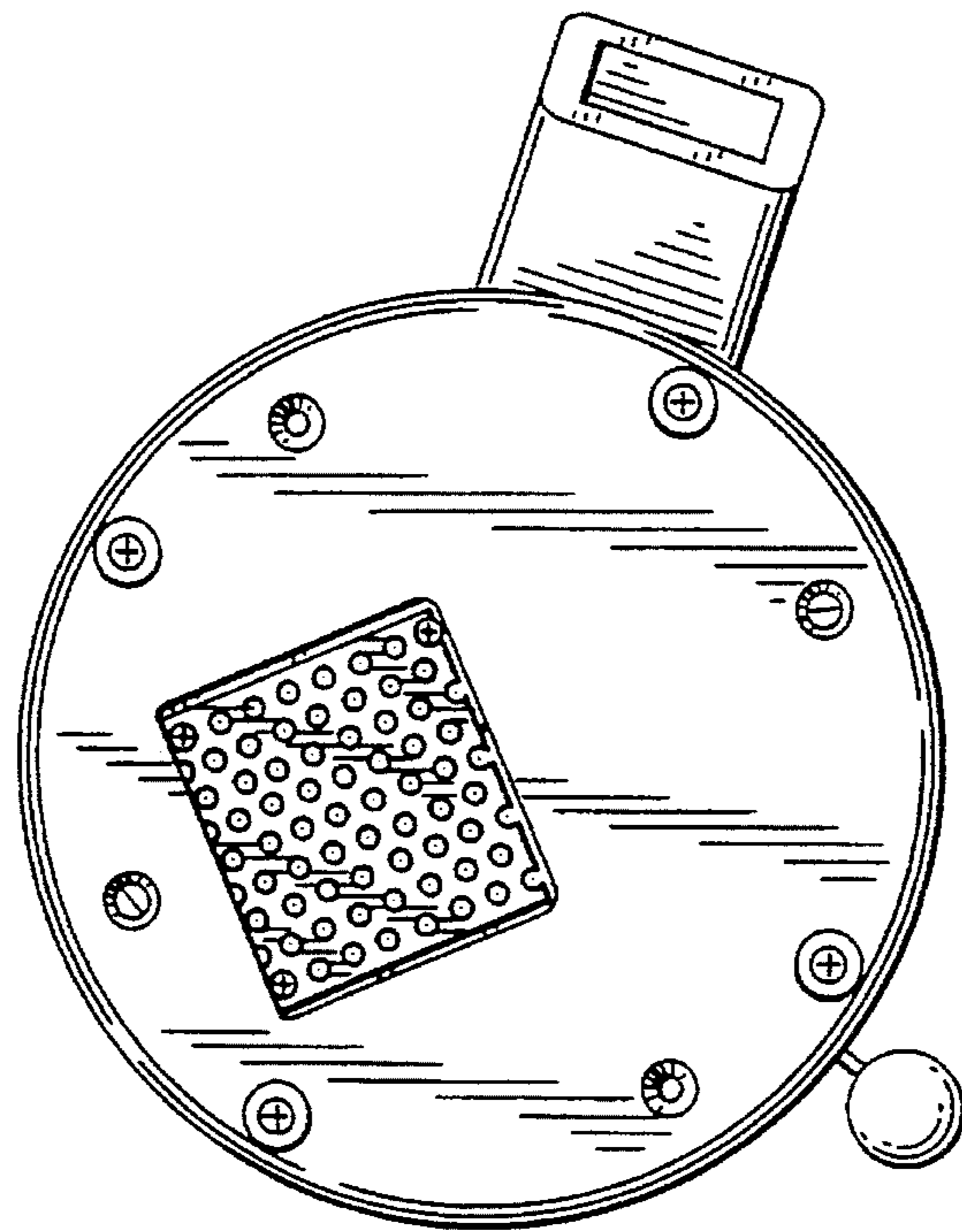
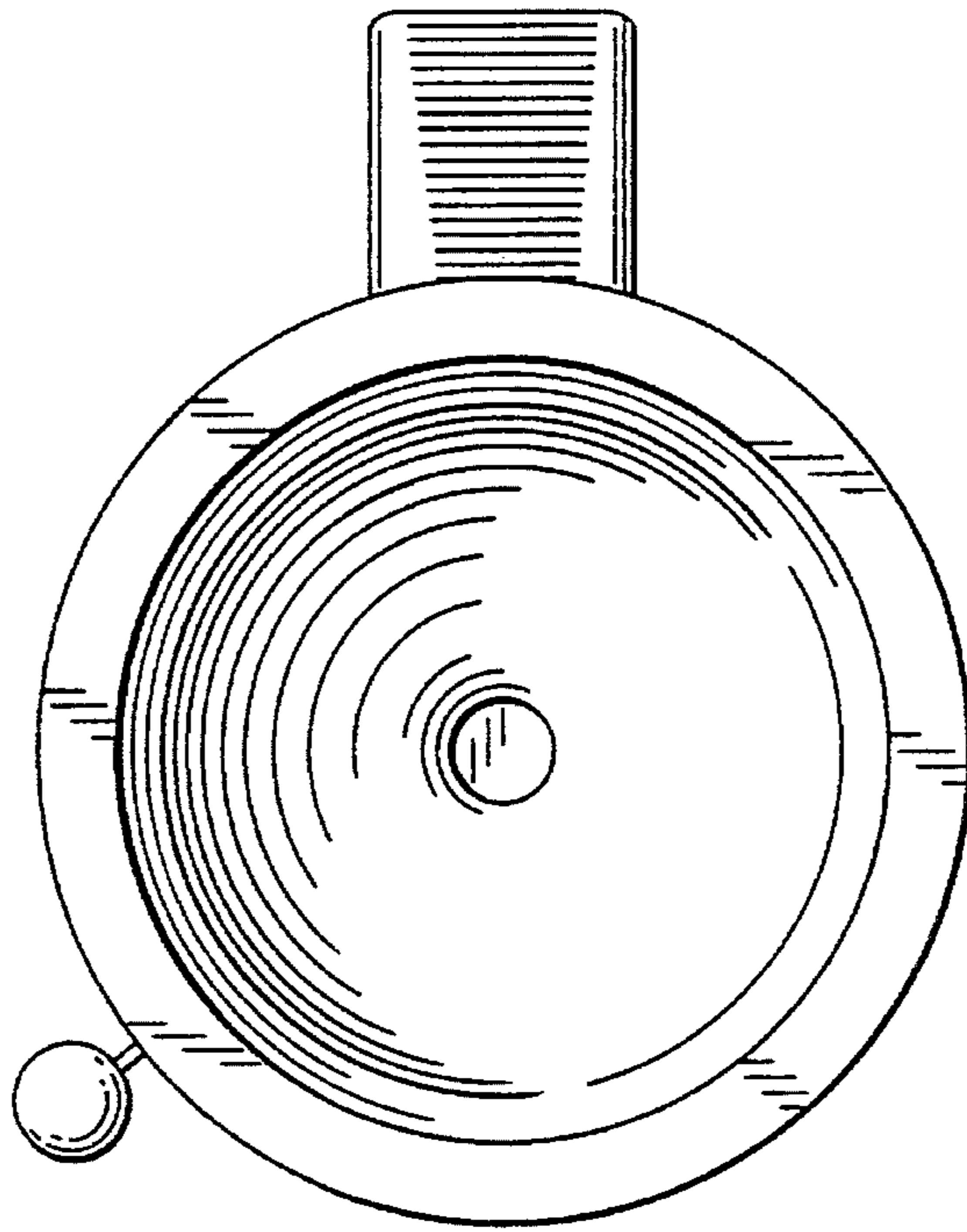


FIG. 6