



US00D363410S

United States Patent [19] Hazen

[11] Patent Number: **Des. 363,410**
[45] Date of Patent: ****Oct. 24, 1995**

[54] **DISPOSABLE GRILL**

[76] Inventor: **Bert B. Hazen**, 3661 Radar Rd., Sault St Marie, Mich. 49783-9413

[**] Term: **14 Years**

[21] Appl. No.: **27,701**

[22] Filed: **Aug. 29, 1994**

[52] U.S. Cl. **D7/359; D7/409**

[58] Field of Search **D7/354, 357, 359, D7/409; 99/339, 419, 422, 425, 426, 444, 445, 446**

5,172,682 12/1992 Luebke et al. 126/21 A
5,237,914 8/1993 Carstensen 99/445
5,242,704 9/1993 Prestigiacomo 99/444 X

FOREIGN PATENT DOCUMENTS

2638957 5/1990 France 99/446
4206453 9/1993 Germany 99/422

Primary Examiner—Alan P. Douglas
Assistant Examiner—Caron D. Veynar
Attorney, Agent, or Firm—Paul M. Denk

[57] **CLAIM**

The ornamental design for the disposable grill, as shown and described.

[56] **References Cited**

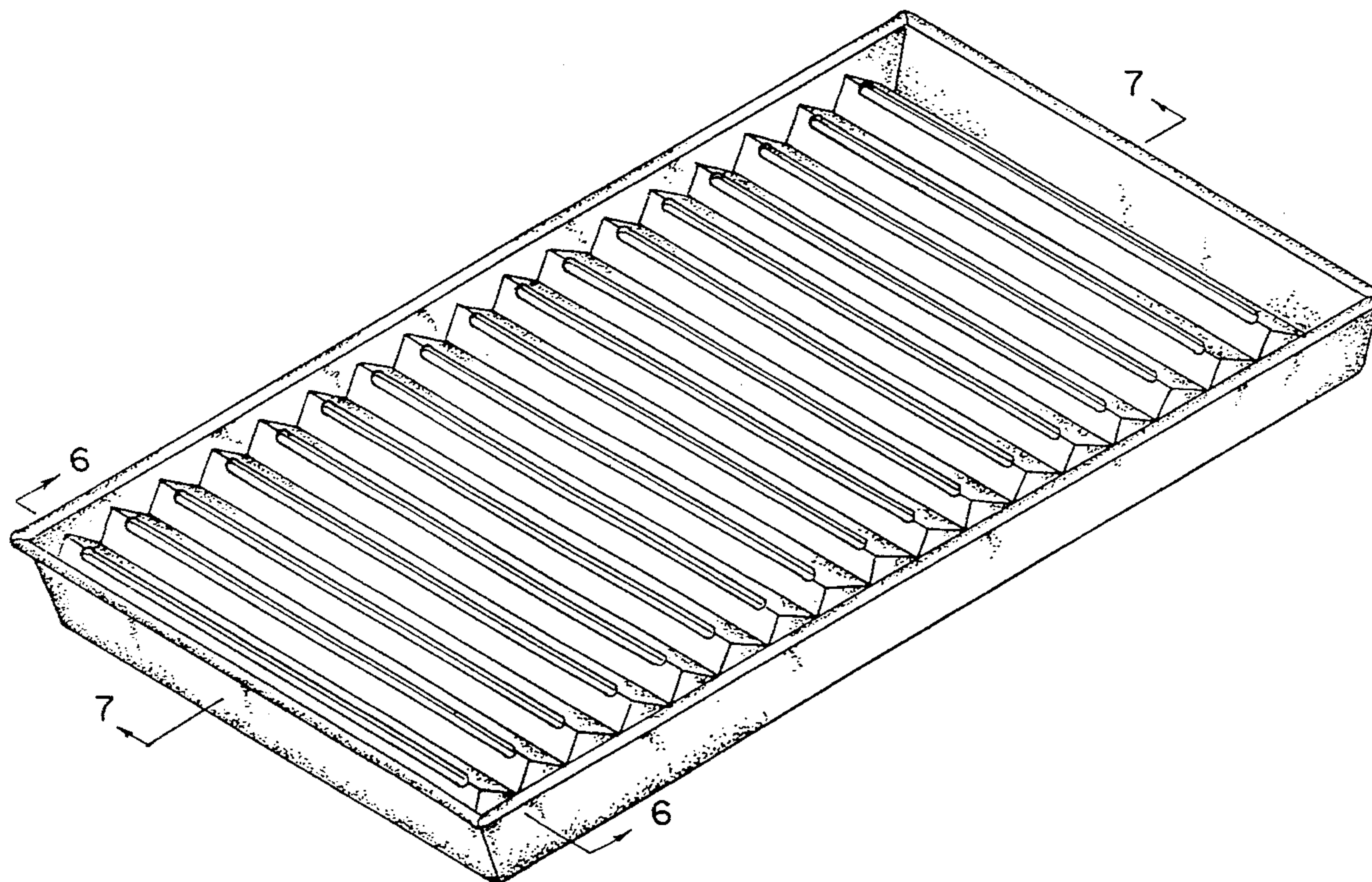
U.S. PATENT DOCUMENTS

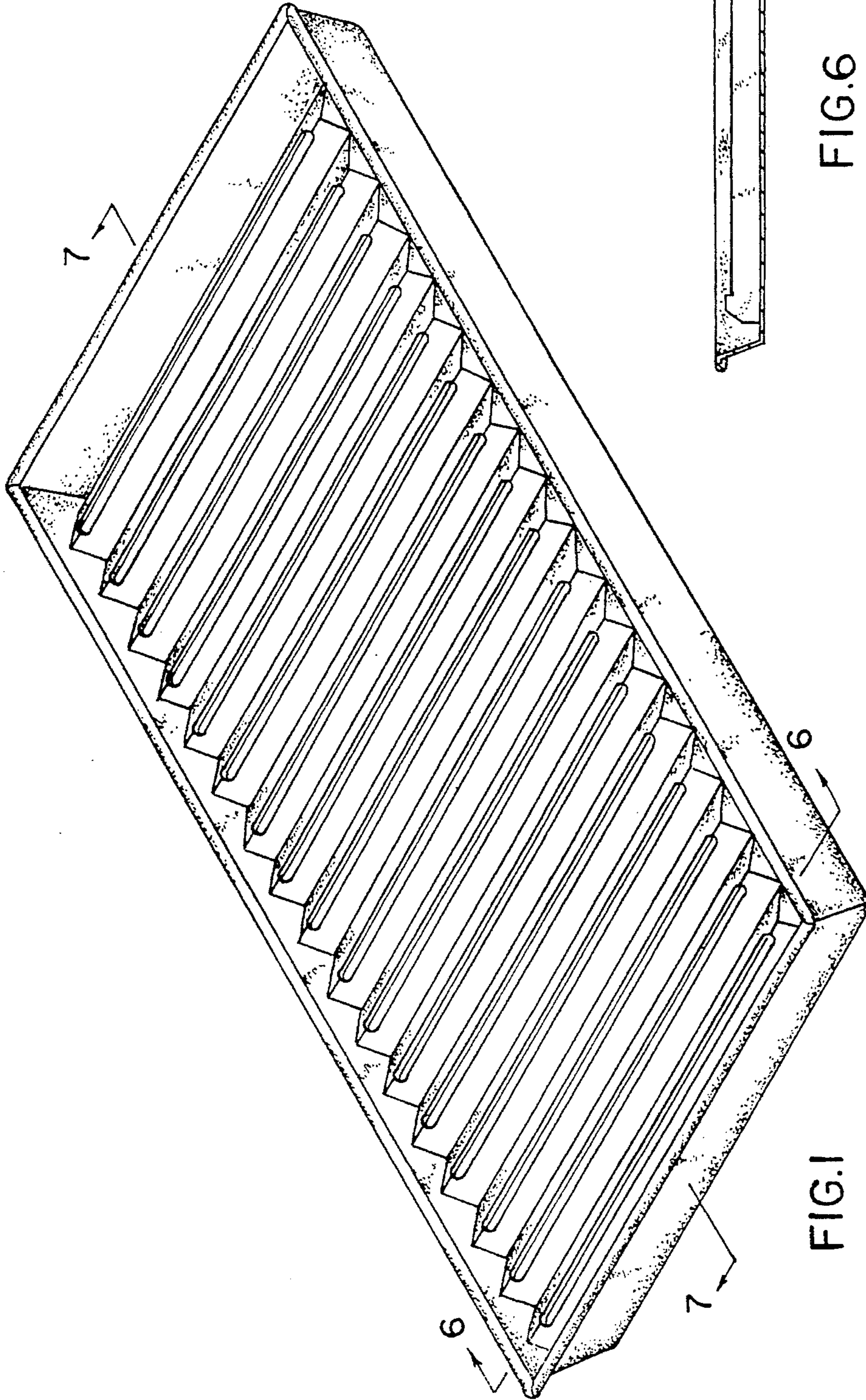
D. 260,221	8/1981	Lee et al.	99/419 X
1,090,924	3/1914	Lawrence	99/425 X
1,732,910	10/1929	Possons	99/425
2,321,676	6/1943	Hennessy	99/425
2,411,993	12/1946	Hobson	99/425
2,875,683	3/1959	Burns	D7/357 X
3,106,201	10/1963	Steinberg	99/425 X
3,411,433	11/1968	Christopher	99/425 X
3,509,814	5/1970	Karapetian	99/445
3,555,994	1/1971	Nemetz et al.	99/444
3,842,726	10/1974	Fautz	99/425
4,121,510	10/1978	Frederick	99/425
4,878,477	11/1989	McLane	99/444 X
4,976,252	12/1990	Cianciola	126/27
5,009,151	4/1991	Hungerford	99/445

DESCRIPTION

FIG. 1 is an isometric view of the disposable grill of this invention;
FIG. 2 is a top plan view thereof;
FIG. 3 is a front edge view, the back edge view being a mirror image thereof;
FIG. 4 is a bottom plan view;
FIG. 5 is a right edge elevation, the left edge elevation being a mirror image thereof;
FIG. 6 is a sectional view taken along the line 6—6 of FIG. 1; and,
FIG. 7 is a sectional view taken along the line 7—7 of FIG. 1.

1 Claim, 2 Drawing Sheets





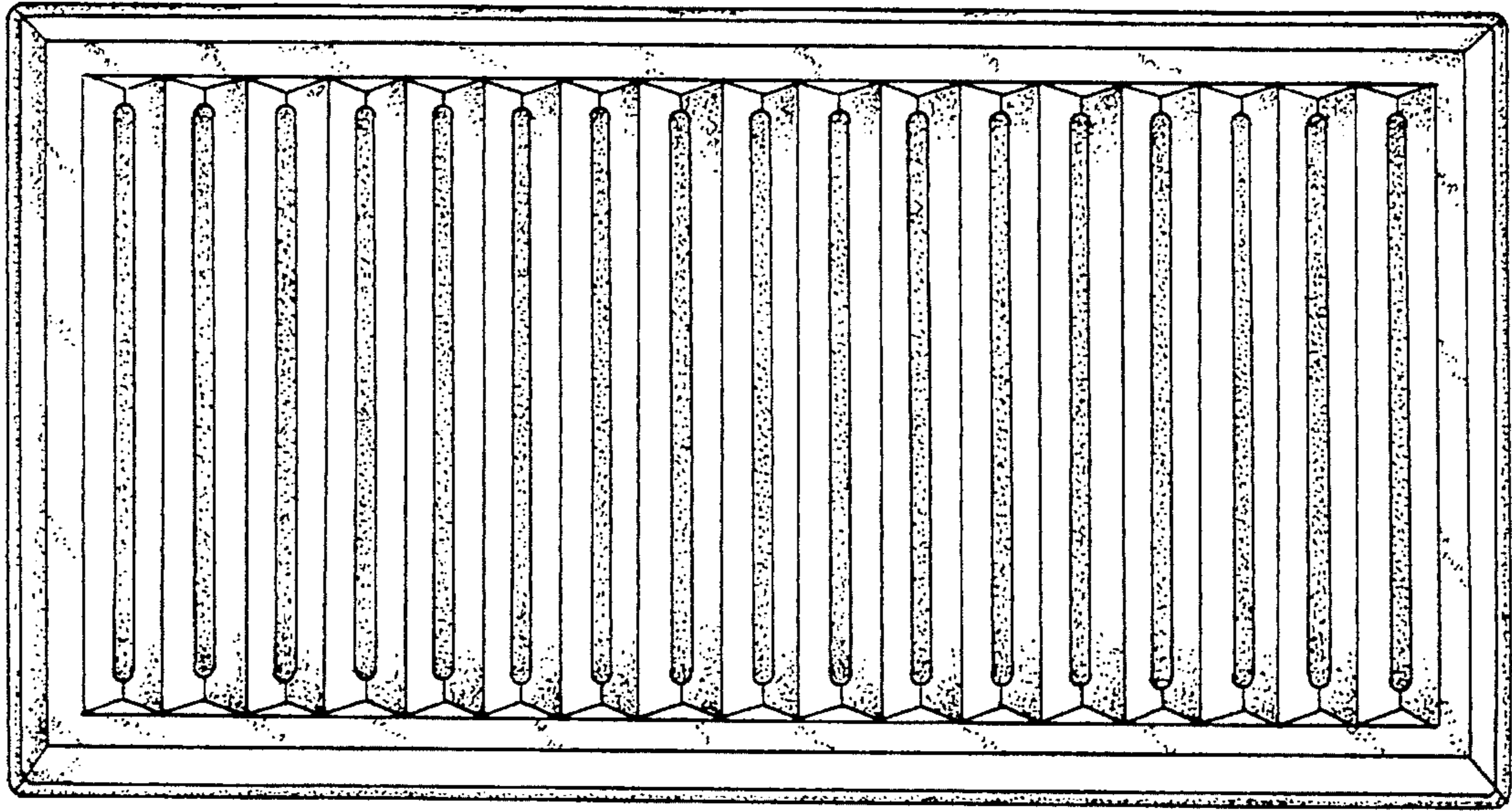


FIG. 2

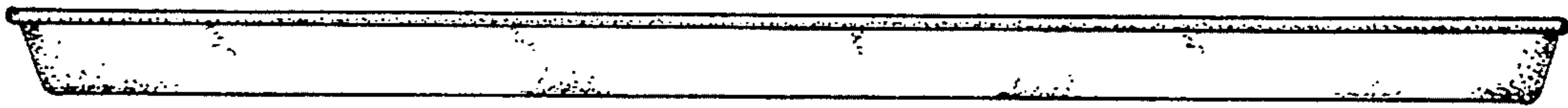


FIG. 3

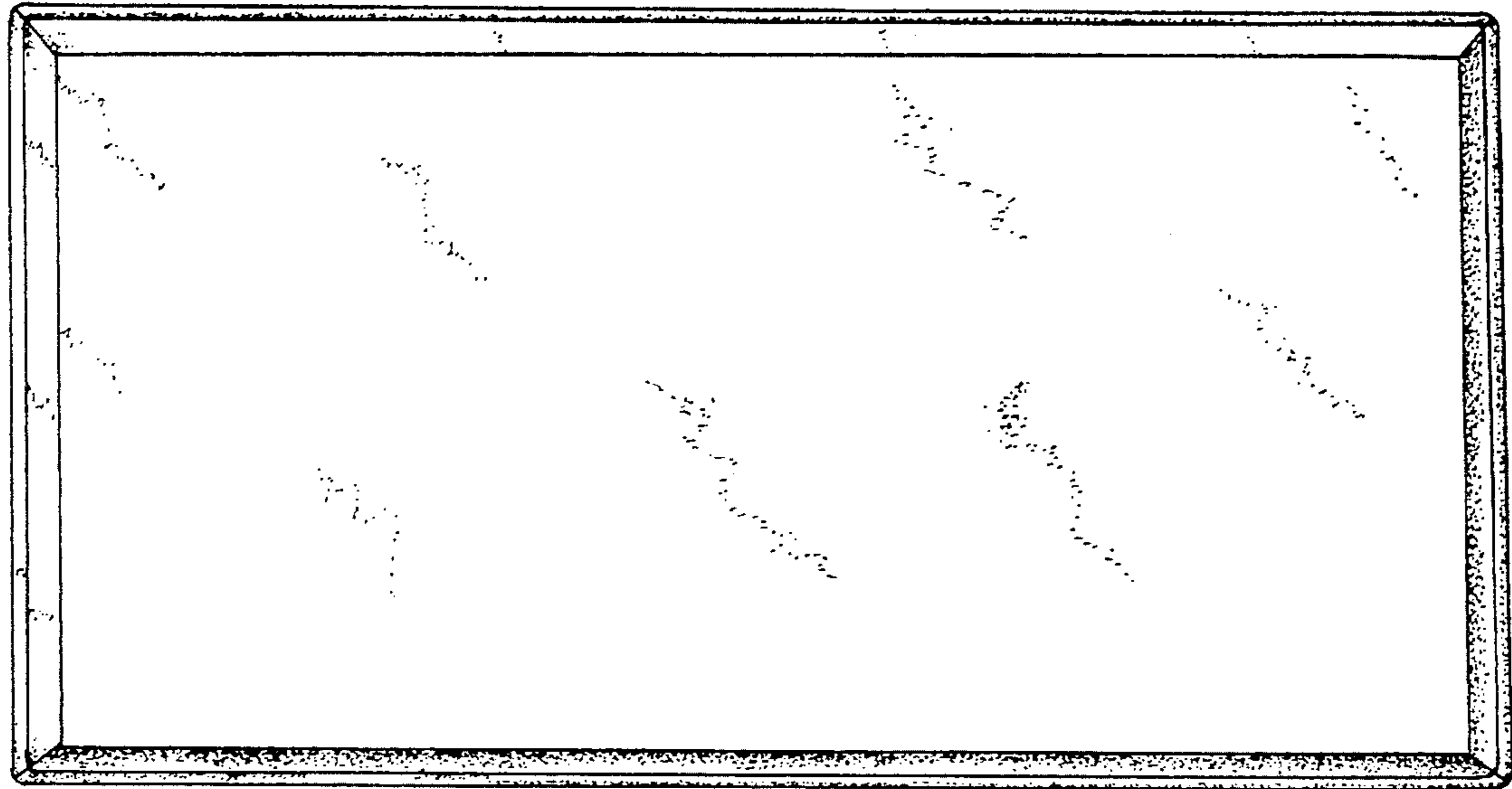


FIG. 4

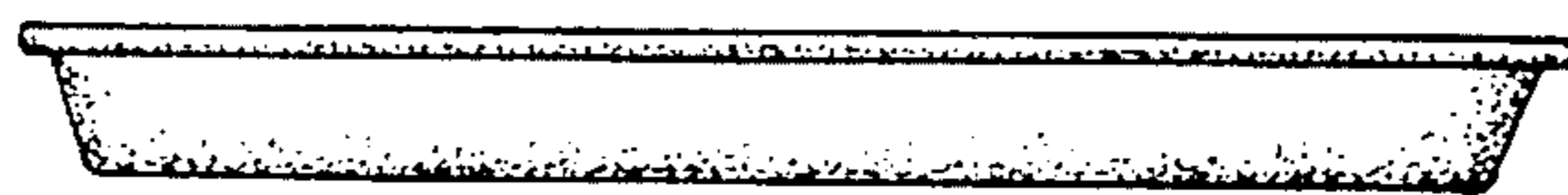


FIG. 5