



US00D363405S

United States Patent [19]
Elliott, Sr.

[11] **Patent Number: Des. 363,405**
[45] **Date of Patent: **Oct. 24, 1995**

[54] **FOOD DISPENSER GUN**
[75] Inventor: **Dennis K. Elliott, Sr.**, Madison, Miss.
[73] Assignee: **Robot-Coupe, U.S.A., Inc.**, Jackson, Miss.
[**] Term: **14 Years**
[21] Appl. No.: **22,165**
[22] Filed: **May 2, 1994**
[52] **U.S. Cl.** **D7/672**
[58] **Field of Search** **D7/672, 669; 222/43, 222/309, 323, 326, 327, 391; 425/190**

Cookie Press.
Industrial Design, Sep./Oct. '77, p. 34, Cookie Press.
Prince Castle Inc. 580 Series Sauce Dispensers, 1993 (spec sheet and ad).

Primary Examiner—Terry A. Wallace
Attorney, Agent, or Firm—William D. Harris, Jr.; Harris, Tucker & Hardin

[57] **CLAIM**

The ornamental design for a food dispenser gun, as shown and described.

DESCRIPTION

FIG. 1 is a front perspective view of a food dispenser gun showing my new design;
FIG. 2 is a front elevation view thereof;
FIG. 3 is a right side elevation view thereof, the opposite side being a mirror image;
FIG. 4 is a rear elevation view thereof;
FIG. 5 is a top plan view thereof;
FIG. 6 is a bottom plan view thereof;
FIG. 7 is a front elevation view of an alternate embodiment of FIG. 1;
FIG. 8 is a front elevation view of an alternate embodiment of FIG. 1;
FIG. 9 is a front elevation view of an alternate embodiment of FIG. 1;
FIG. 10 is a front elevation view of an alternate embodiment of FIG. 1;
FIG. 11 is a front elevation view of an alternate embodiment of FIG. 1;
FIG. 12 is a front elevation view of an alternate embodiment of FIG. 1; and,
FIG. 13 is a front elevation view of an alternate embodiment of FIG. 1.
The only difference between the embodiments is the nozzle portion shown in the front views. The remaining views being identical.

[56] **References Cited**
U.S. PATENT DOCUMENTS

1,397,510	11/1921	Grassi .
1,630,846	5/1927	Holst .
1,996,628	4/1935	Schneider .
2,115,591	4/1938	Sherbondy .
2,180,978	11/1939	Crewe .
2,234,432	3/1941	Gallo .
2,617,560	11/1952	Pietrzak .
2,626,731	1/1953	Ekins .
2,634,692	4/1953	Sherbondy .
2,670,881	3/1954	Sjoblom .
2,743,044	4/1956	Deemer et al. .
2,884,877	5/1959	Nalbone et al. .
2,928,533	3/1960	Loucony .
3,750,913	8/1973	Wild .
3,894,663	7/1975	Carhart et al. .
4,090,639	5/1978	Campbell et al. .
4,282,279	8/1981	Strickland .
4,330,070	5/1982	Doubleday .
4,948,016	8/1990	Summons et al. .
4,966,537	10/1990	Bowles .

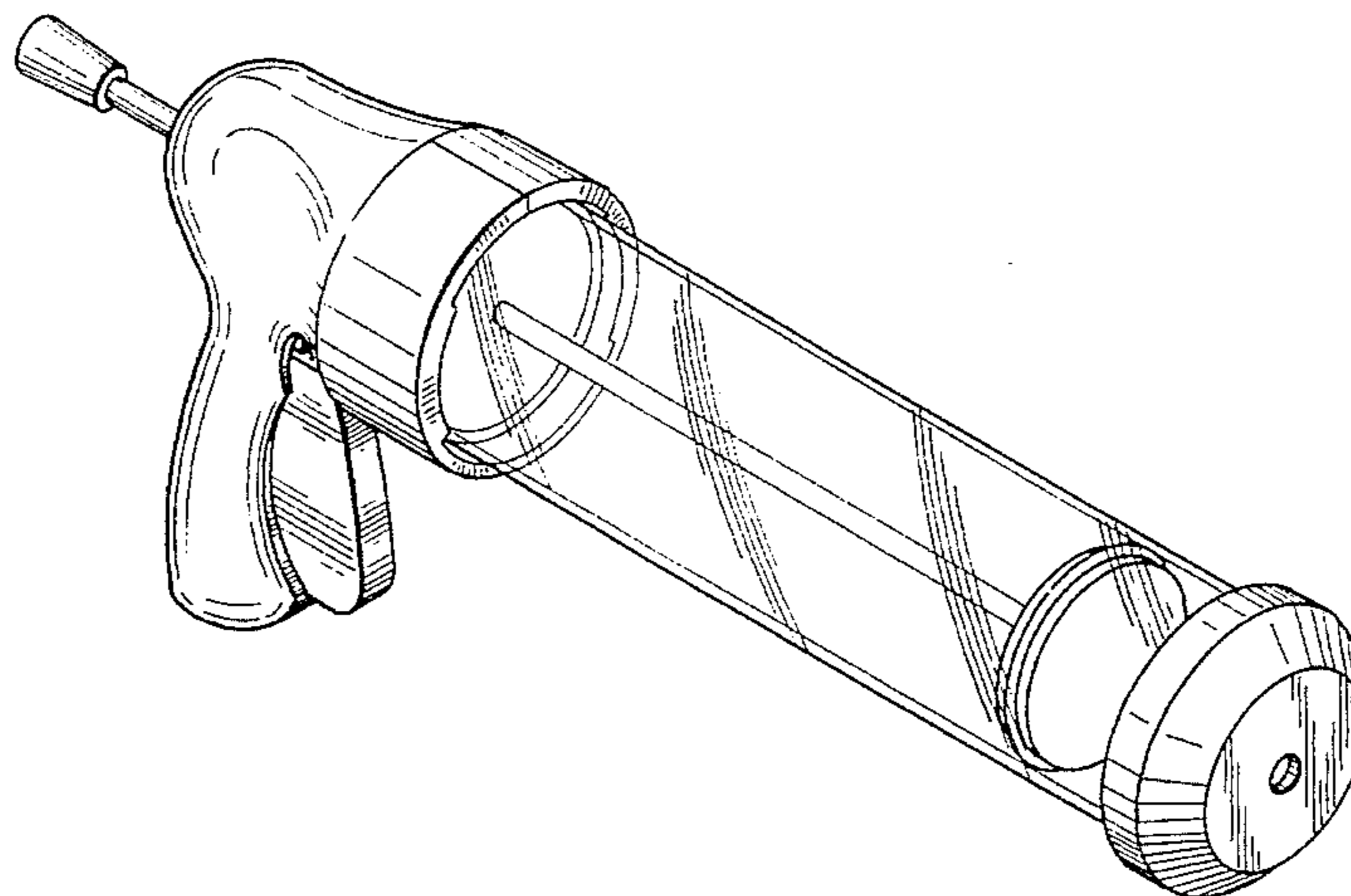
FOREIGN PATENT DOCUMENTS

2076473	12/1981	United Kingdom .
2171462	8/1986	United Kingdom .

OTHER PUBLICATIONS

Good Housekeeping, Dec. 1980, p. 260, Cookie Press, 2nd row from top.
Retailing Home Furnishings, Feb. 27, 1978, p. 32, Section 1,

1 Claim, 3 Drawing Sheets



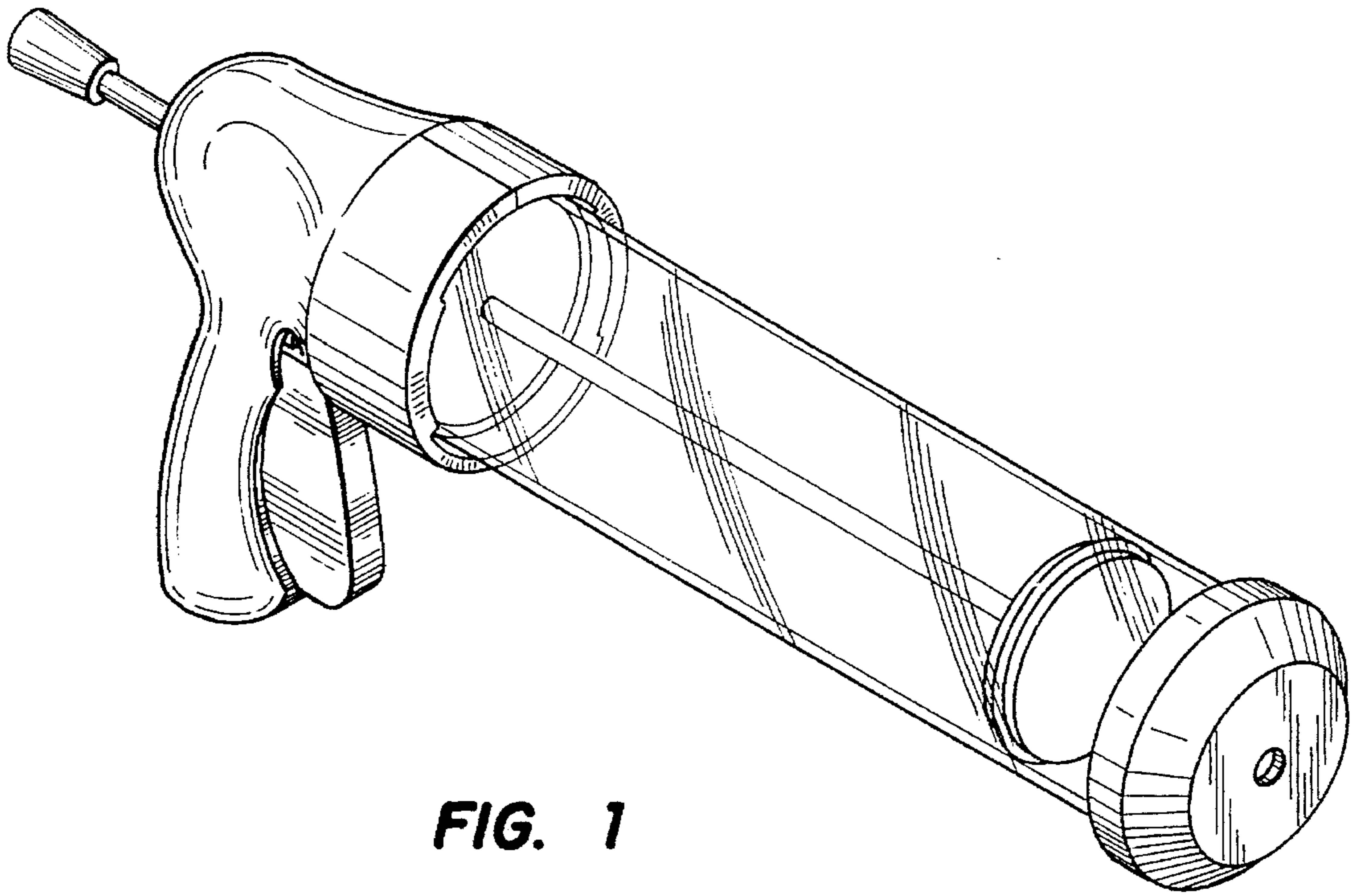


FIG. 1

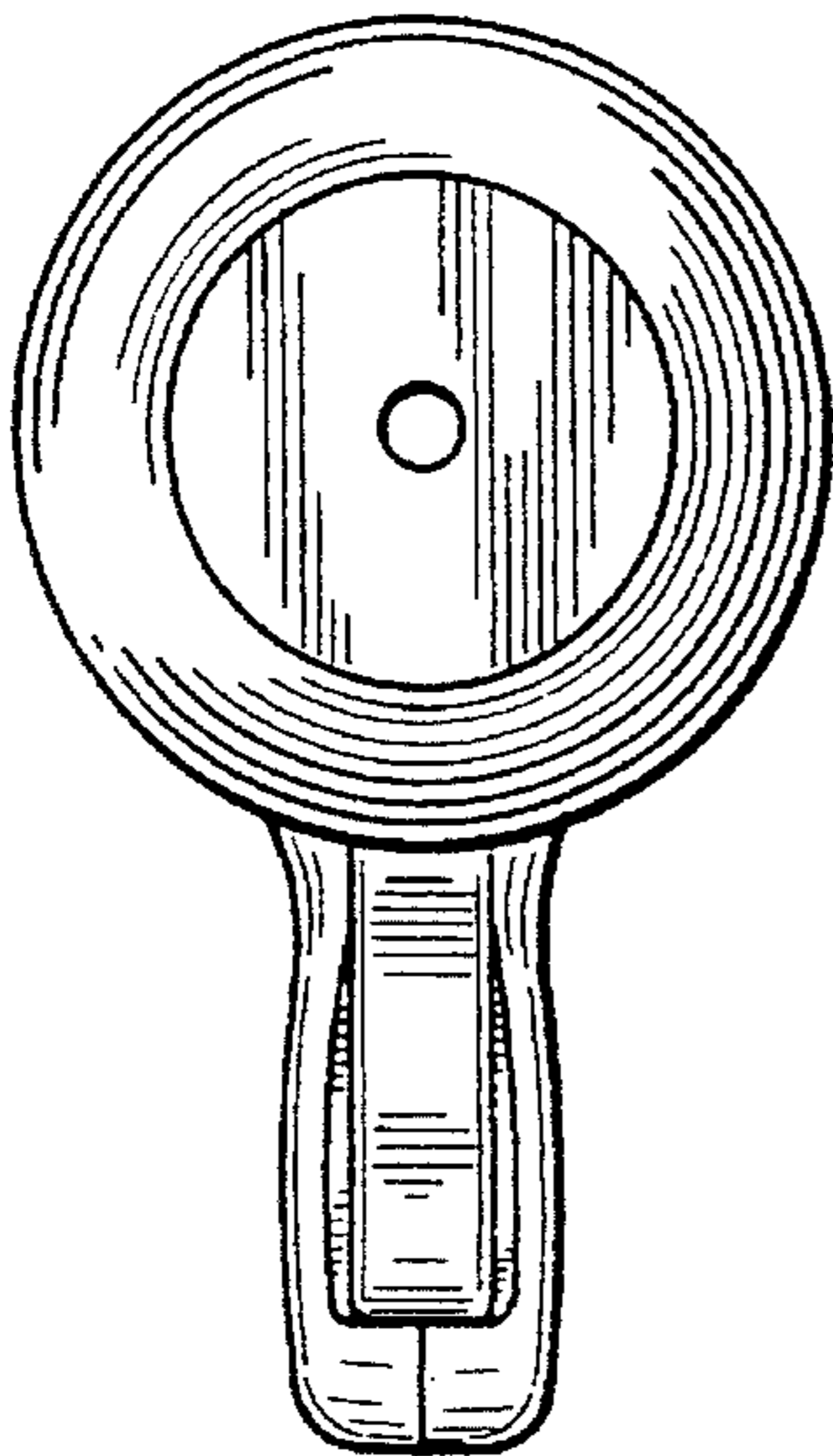


FIG. 2

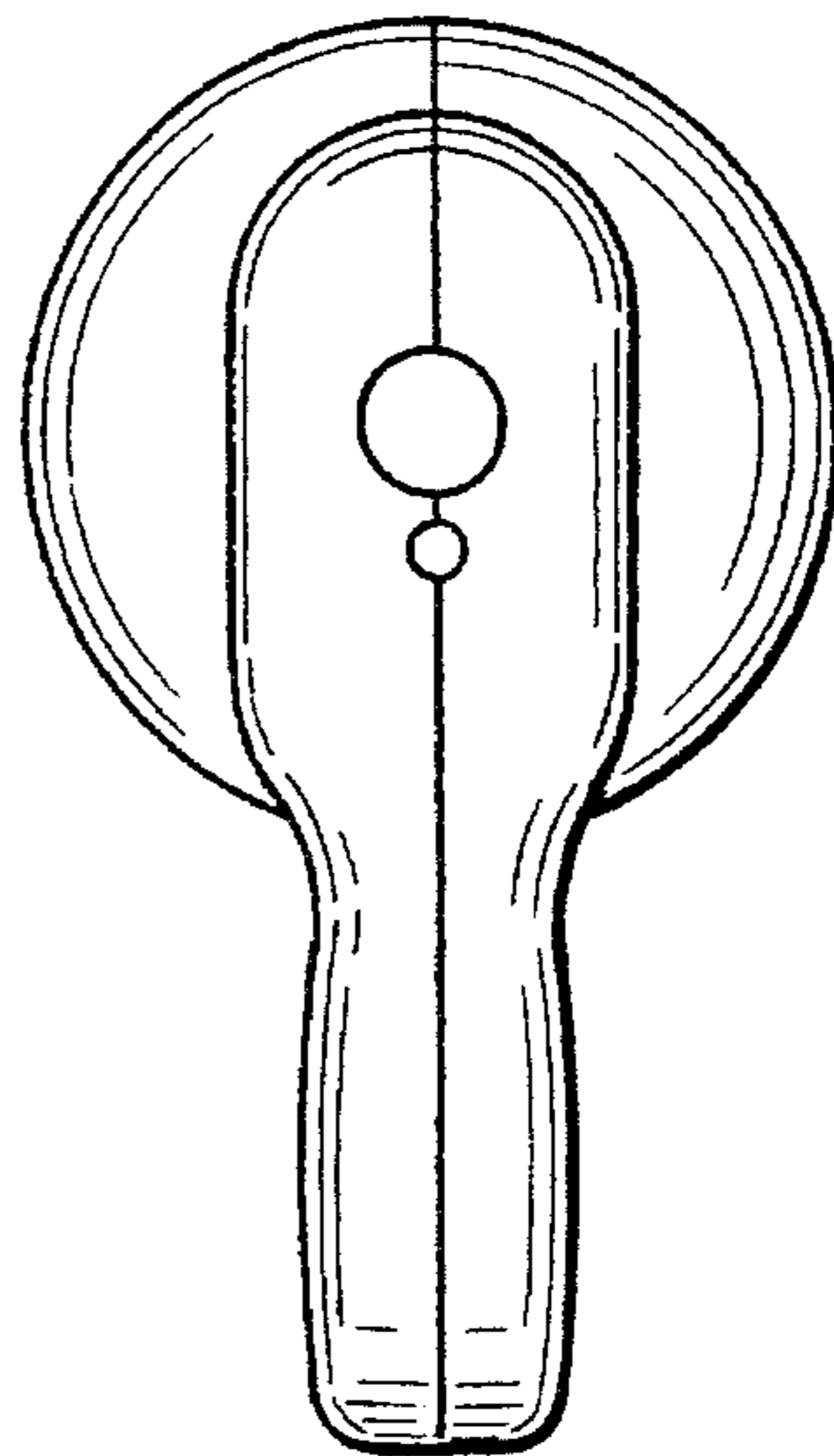


FIG. 4

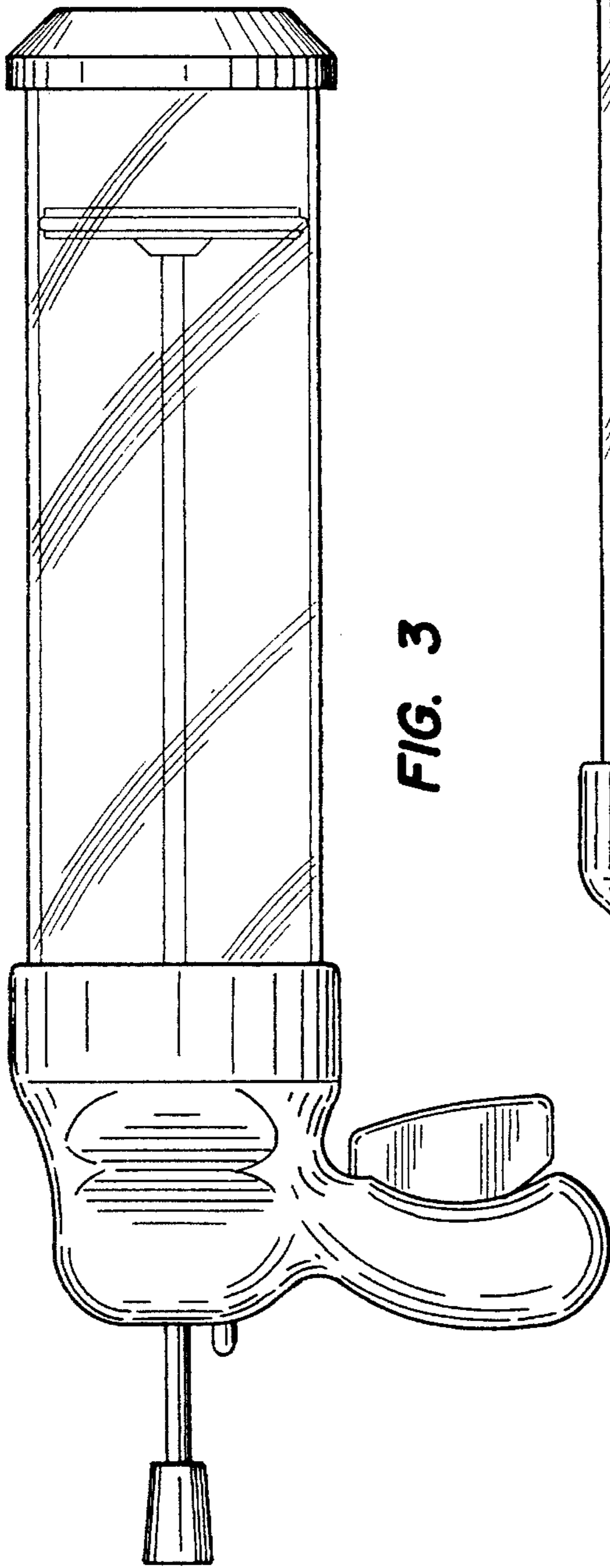


FIG. 3

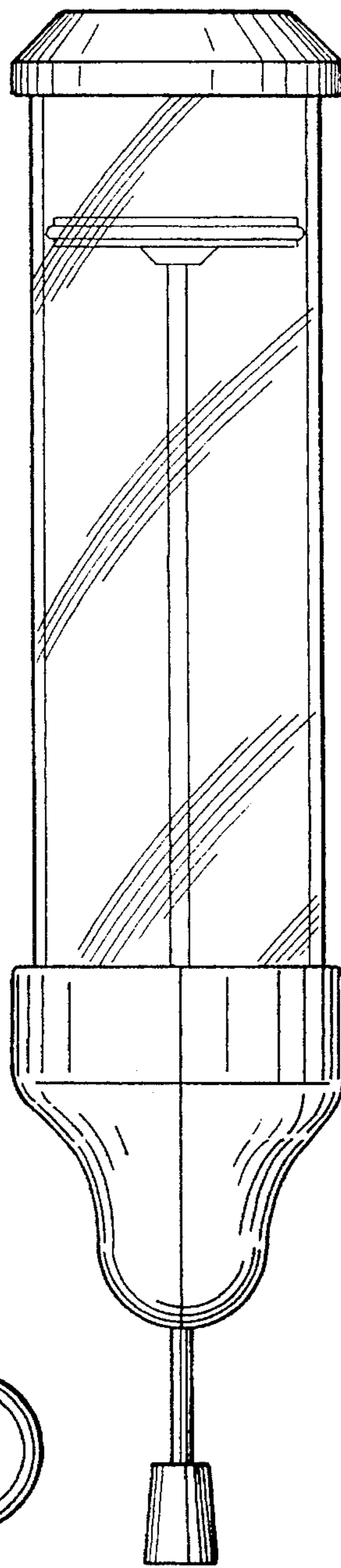


FIG. 5

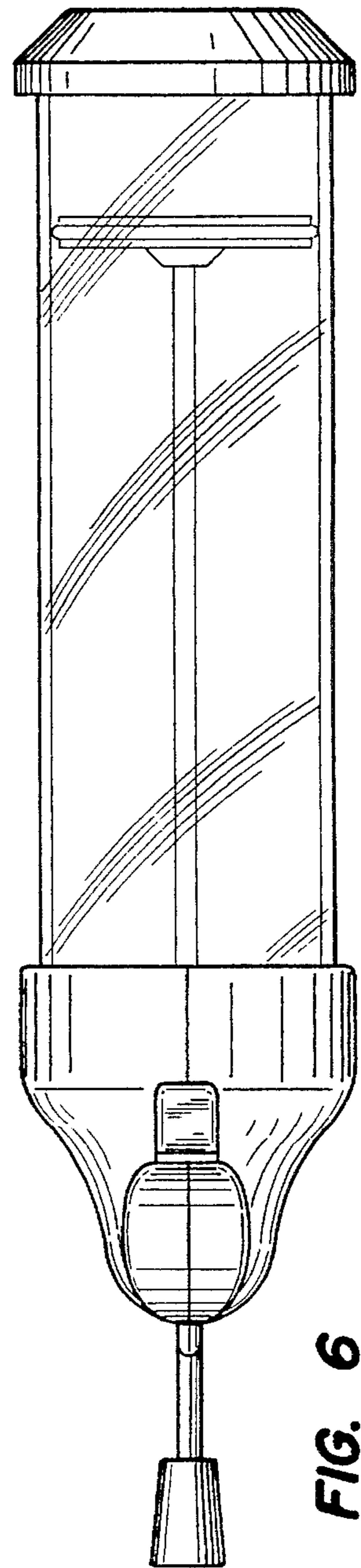


FIG. 6

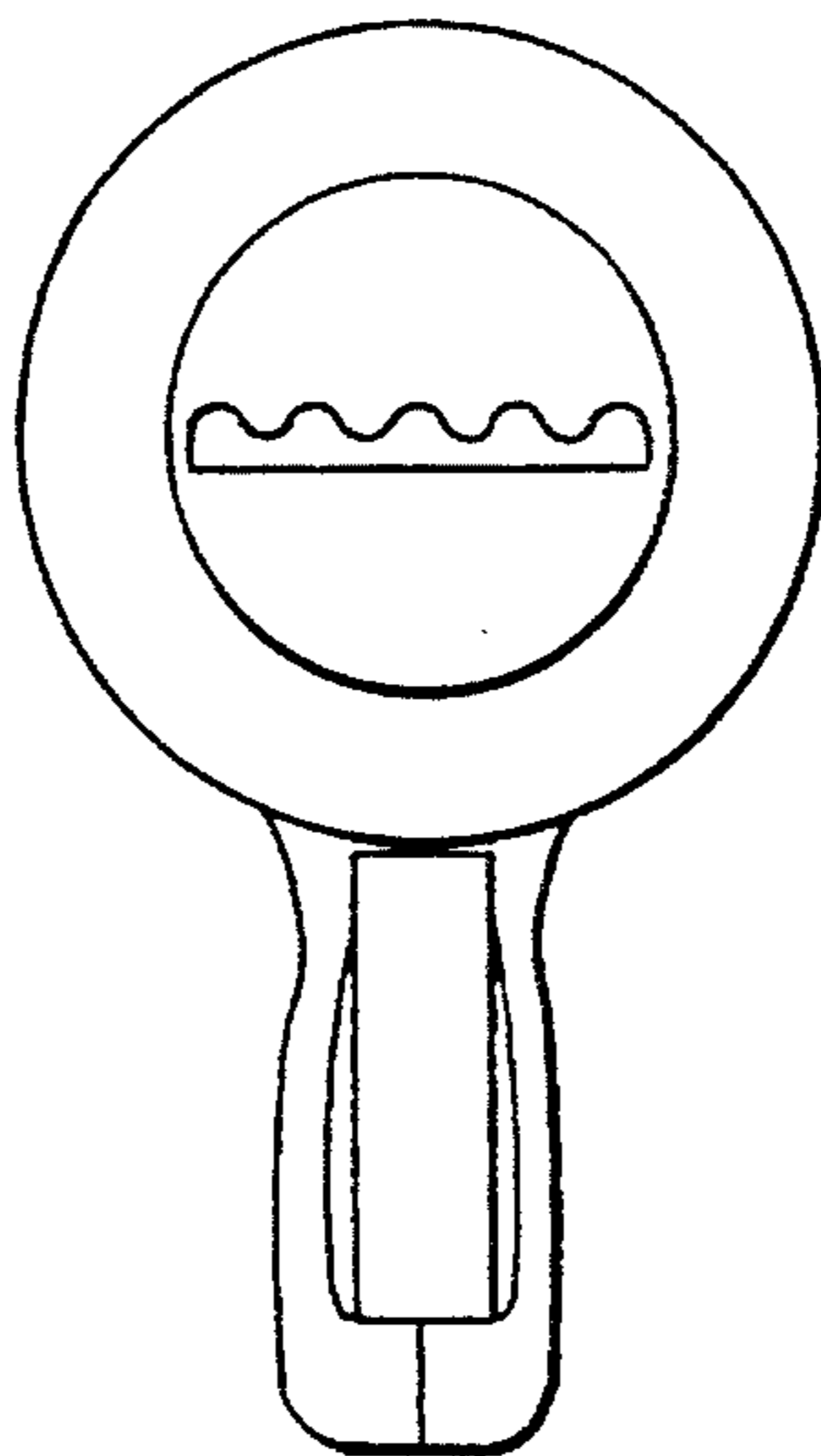


FIG. 7

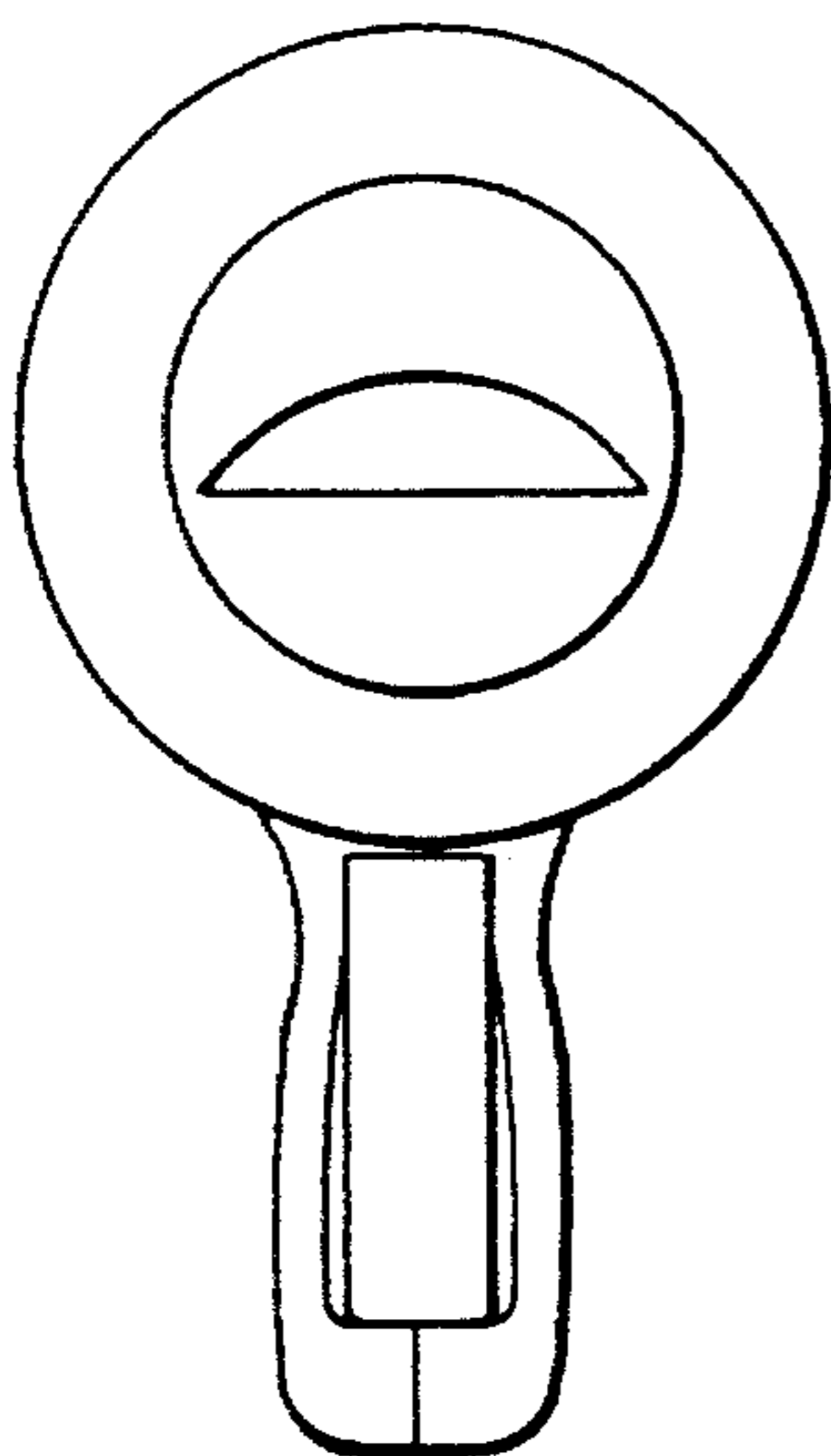


FIG. 8

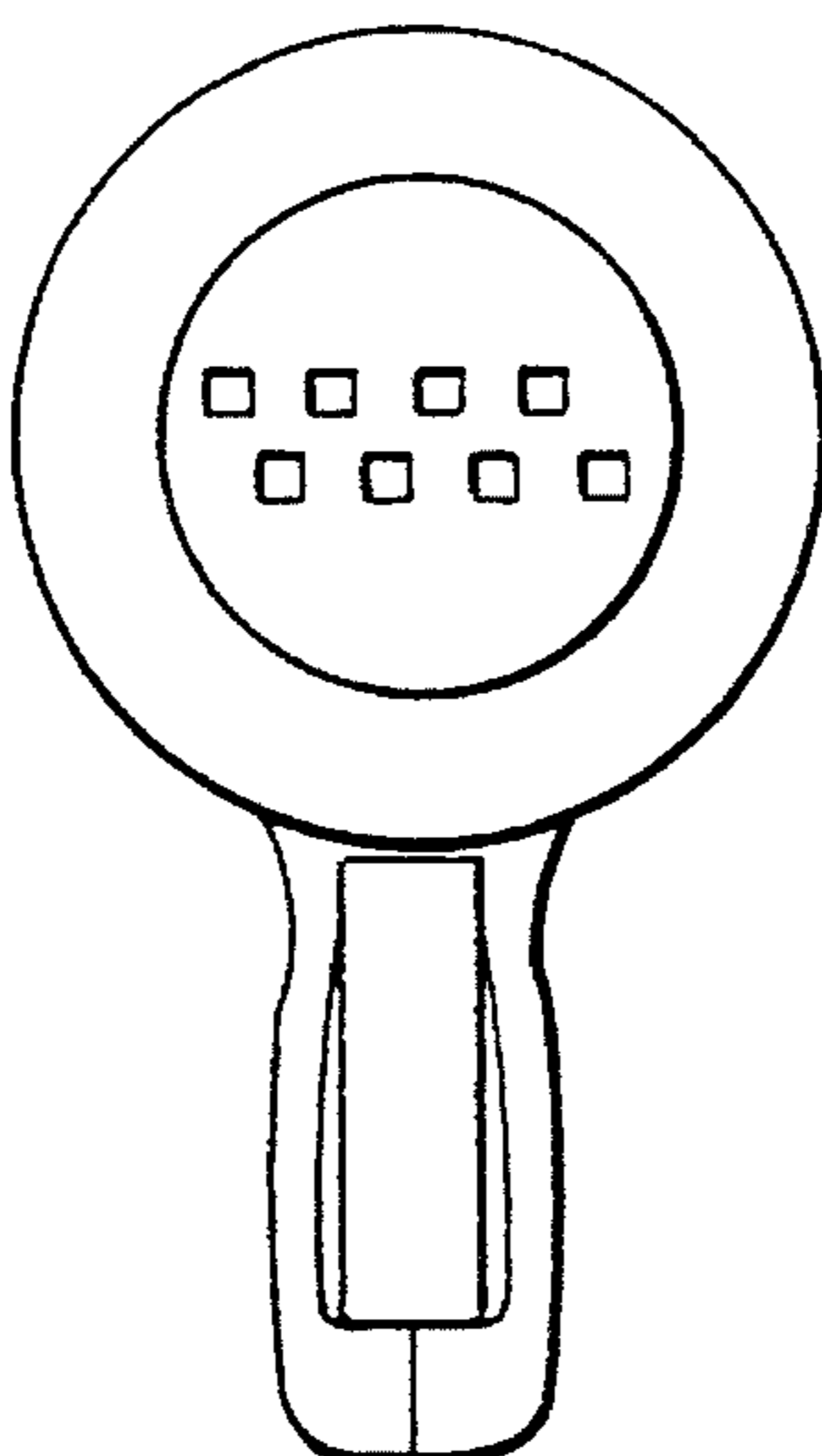


FIG. 9

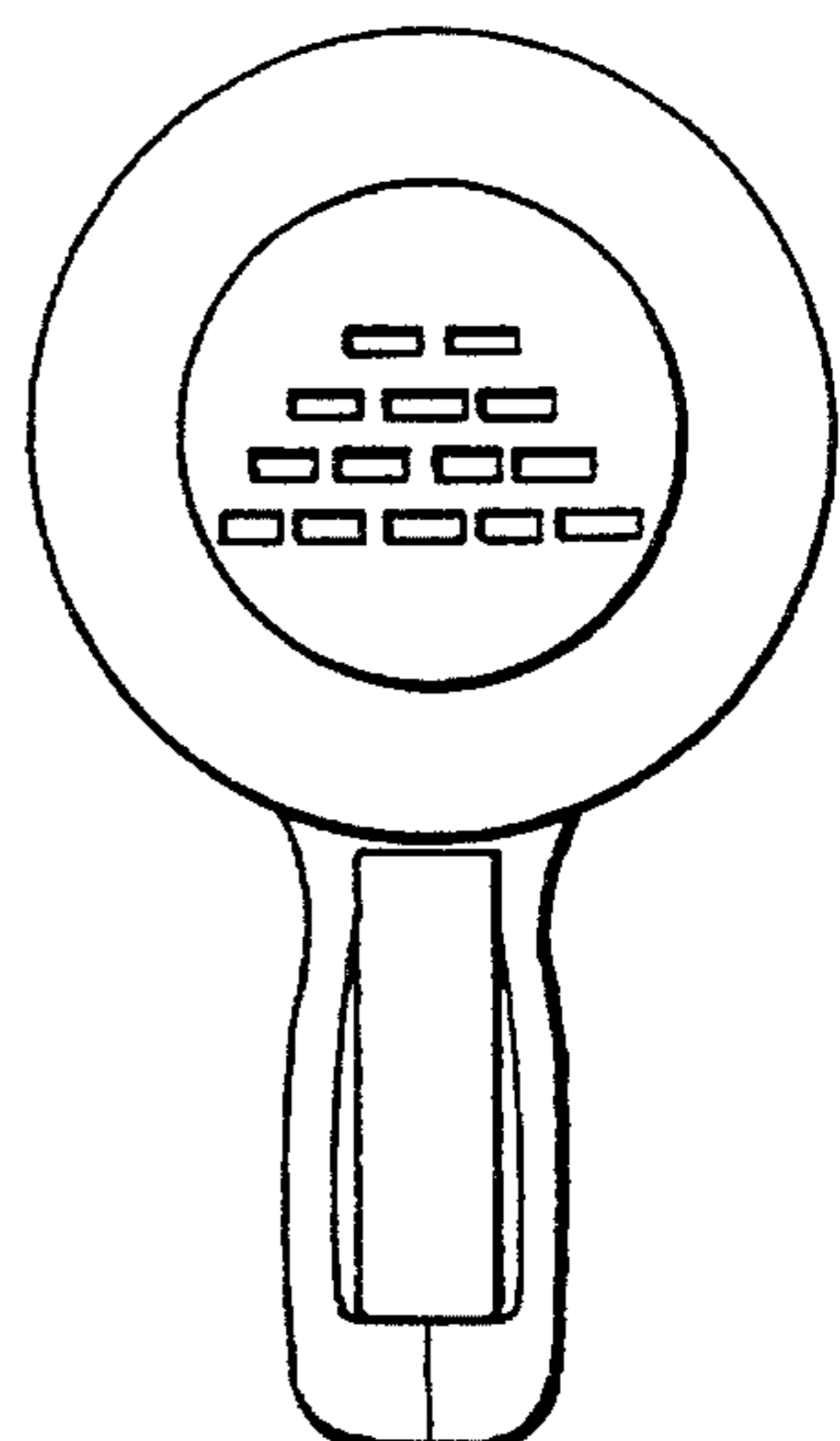


FIG. 10

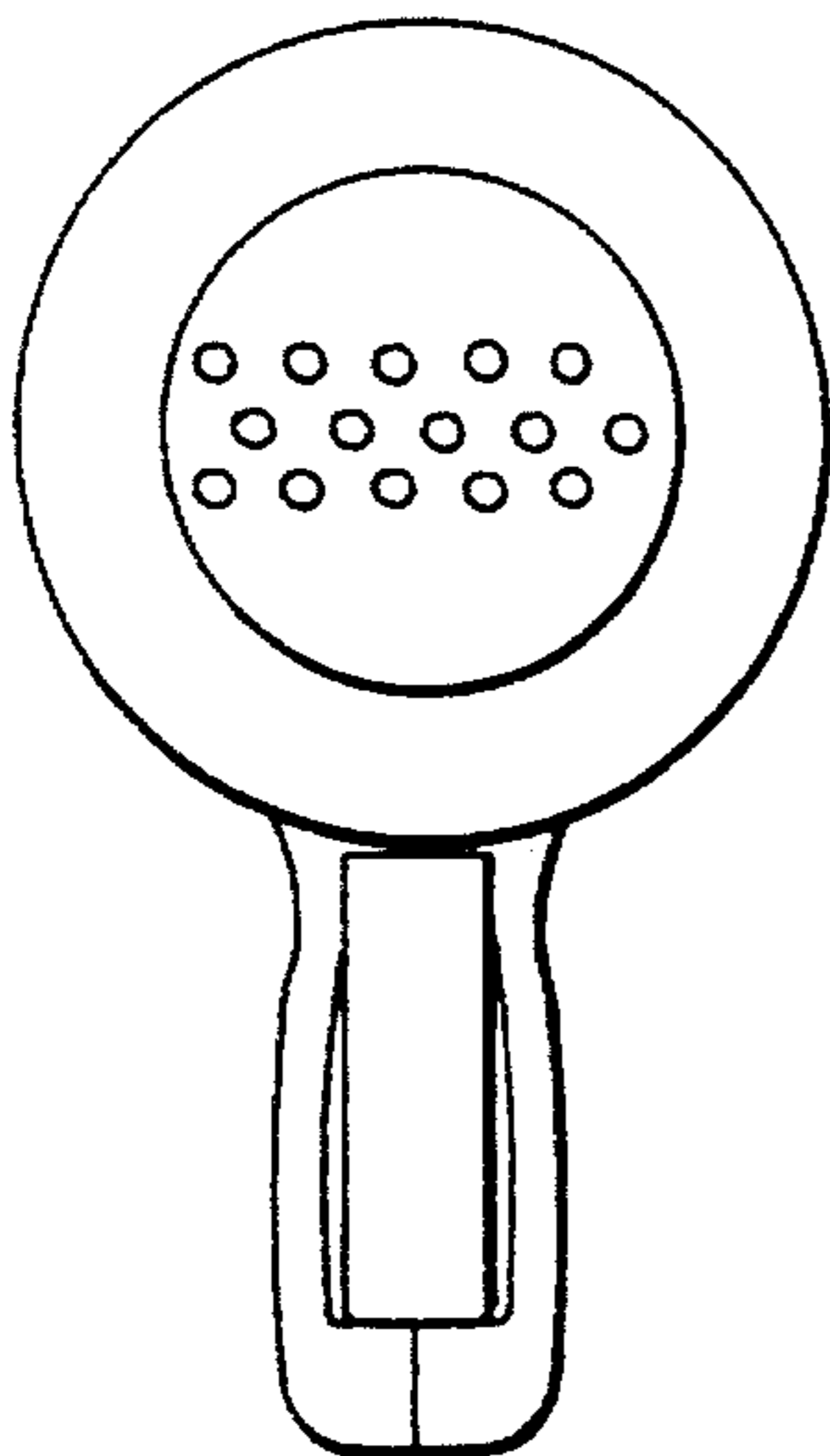


FIG. 11

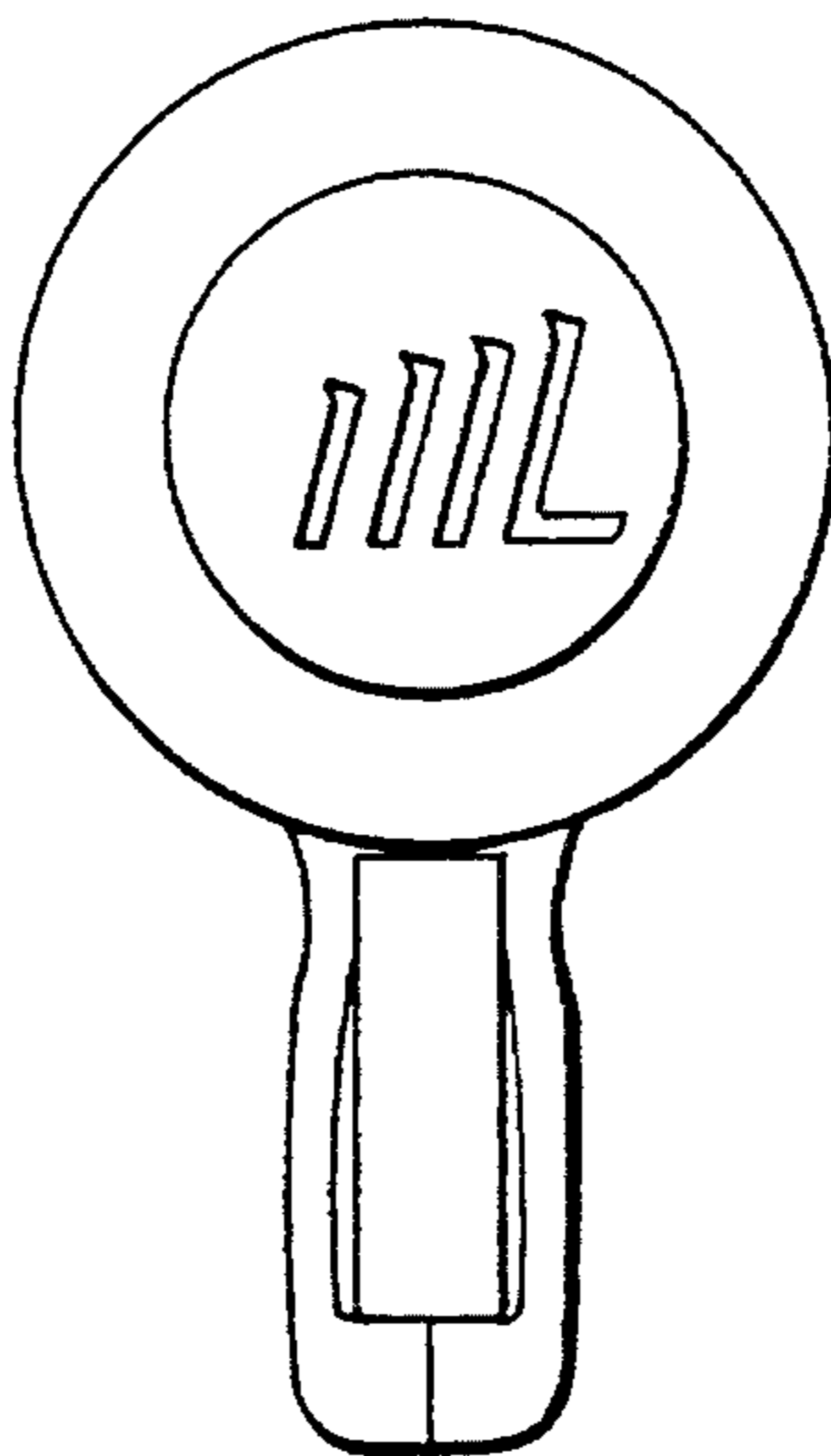


FIG. 12

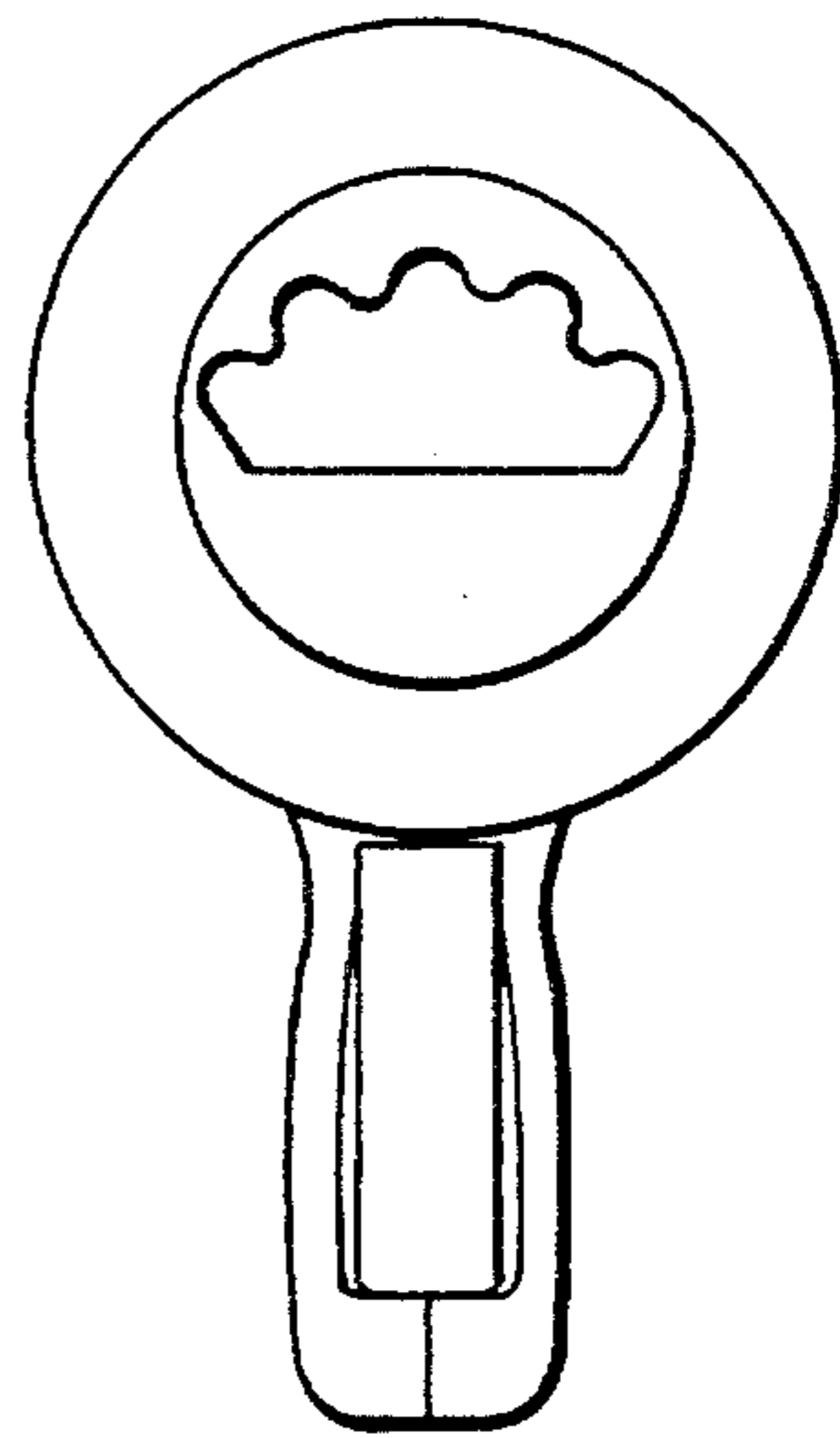


FIG. 13