



US00D363404S

# United States Patent [19]

[11] Patent Number: **Des. 363,404**

Cute

[45] Date of Patent: **\*\*Oct. 24, 1995**

[54] **GOLFER'S TOWEL HAVING TERRY CLOTH AND CHAMOIS PORTIONS**

*Primary Examiner*—Lisa P. Lichtenstein  
*Attorney, Agent, or Firm*—George R. McGuire

[76] Inventor: **M. Thomas Cute**, R.D. 4, Rte. 90  
7071, Cortland, N.Y. 13045

[57] **CLAIM**

[\*\*] Term: **14 Years**

The ornamental design for a golfer's towel having terry cloth and chamois portions, as shown and described.

[21] Appl. No.: **26,291**

### DESCRIPTION

[22] Filed: **Jul. 25, 1994**

[52] U.S. Cl. .... **D6/608; D6/596**

[58] Field of Search ..... D6/595, 596, 608;  
15/118, 210.1, 235; D3/329, 328, 215,  
221; D2/500-502; 2/69, 69.5, 207, 91

FIG. 1 is a perspective view of a towel showing a major portion of the towel composed of terry cloth type fabric and a minor portion stitched to the major portion and being composed of a chamois type material;

FIG. 2 is a top plan view of the towel of FIG. 1;

### [56] References Cited

FIG. 3 is a side elevational view taken along view line 3—3 of FIG. 2;

#### U.S. PATENT DOCUMENTS

FIG. 4 is a front edge elevational view of the towel, the rear edge being a mirror image of that shown; and,

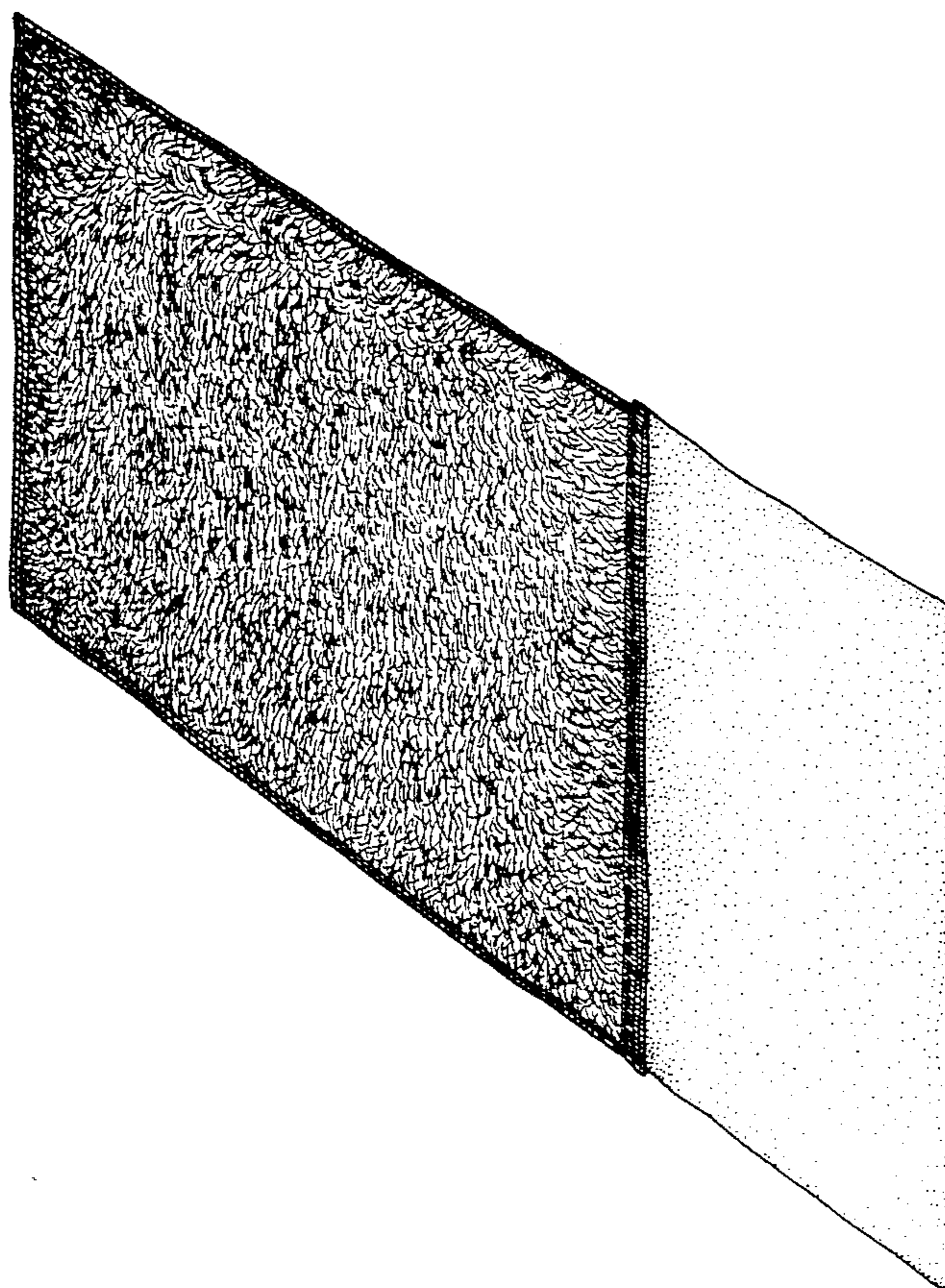
D. 317,693	6/1991	Jencks et al. ....	D6/608
D. 349,810	8/1994	Rutledge .....	D3/215
2,754,532	7/1956	Kanehl et al. ....	D6/608
4,493,866	1/1985	Kim .....	15/118
5,331,705	7/1994	Melov .....	15/118

FIG. 5 is a bottom plan view of the towel showing a stitch line at the boundary between the major and minor towel portions.

#### FOREIGN PATENT DOCUMENTS

995015	8/1951	France .....	15/118
--------	--------	--------------	--------

**1 Claim, 2 Drawing Sheets**



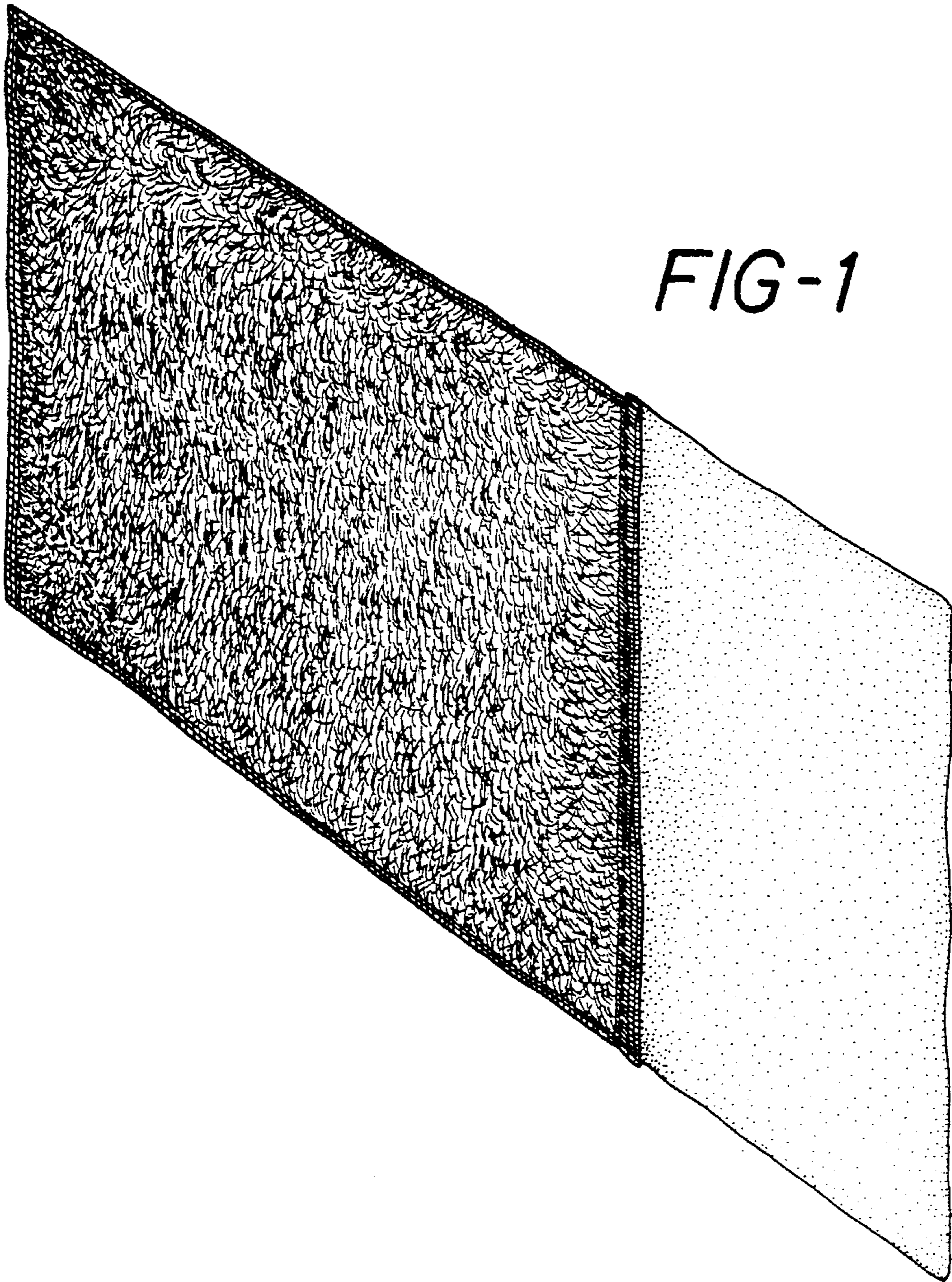


FIG-2

FIG-3

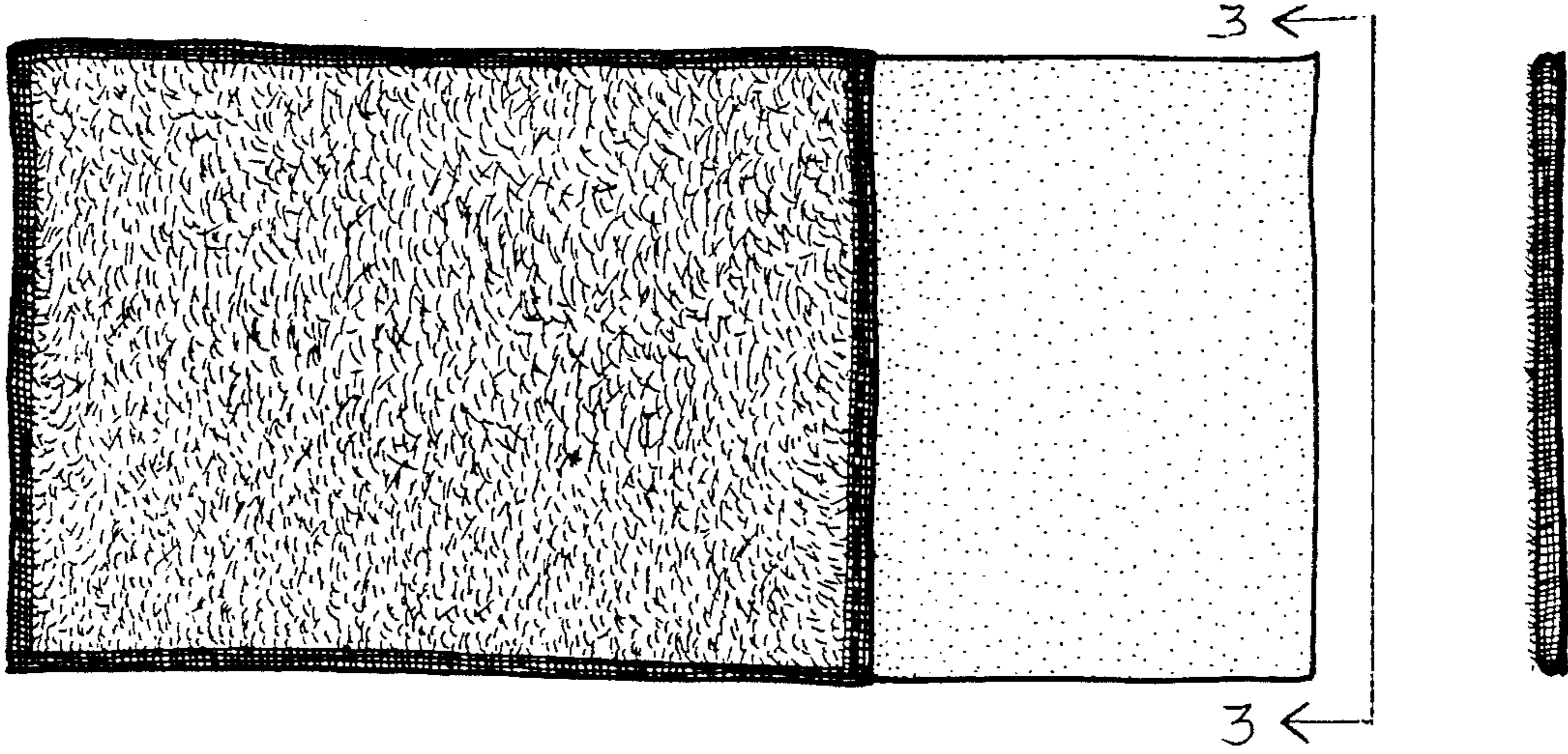


FIG-4

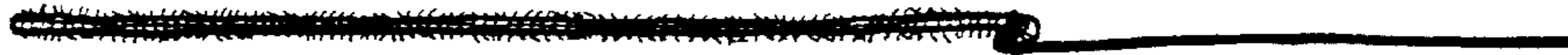


FIG-5

