



US00D363403S

United States Patent [19]

[11] **Patent Number: Des. 363,403**

Dixon

[45] **Date of Patent: **Oct. 24, 1995**

[54] **BULLSEYE THERAPEUTIC PILLOW**

5,163,194 11/1992 Dixon 5/636

[76] Inventor: **Linda H. Dixon**, 1569 Aalapapa Dr.,
Kailua, Hi. 96734

Primary Examiner—Lisa P. Lichtenstein
Attorney, Agent, or Firm—Robert Carson Godbey

[**] Term: **14 Years**

[57] **CLAIM**

[21] Appl. No.: **29,030**

The ornamental design for a bullseye therapeutic pillow, as shown and described.

[22] Filed: **Sep. 27, 1994**

DESCRIPTION

[52] U.S. Cl. **D6/597; D6/601**

[58] Field of Search D6/595, 596, 597,
D6/601; D24/183; 5/636, 630, 632, 448

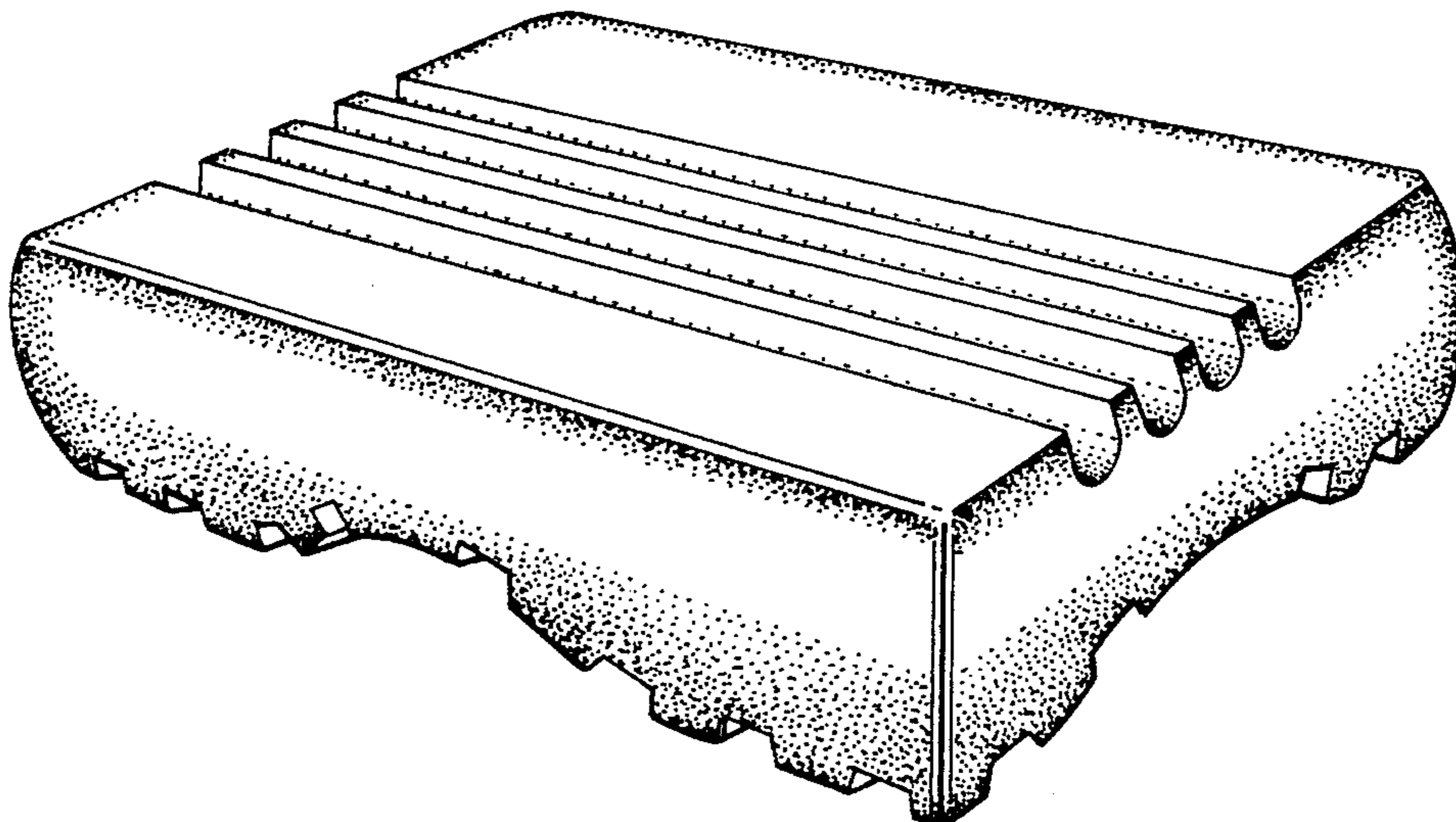
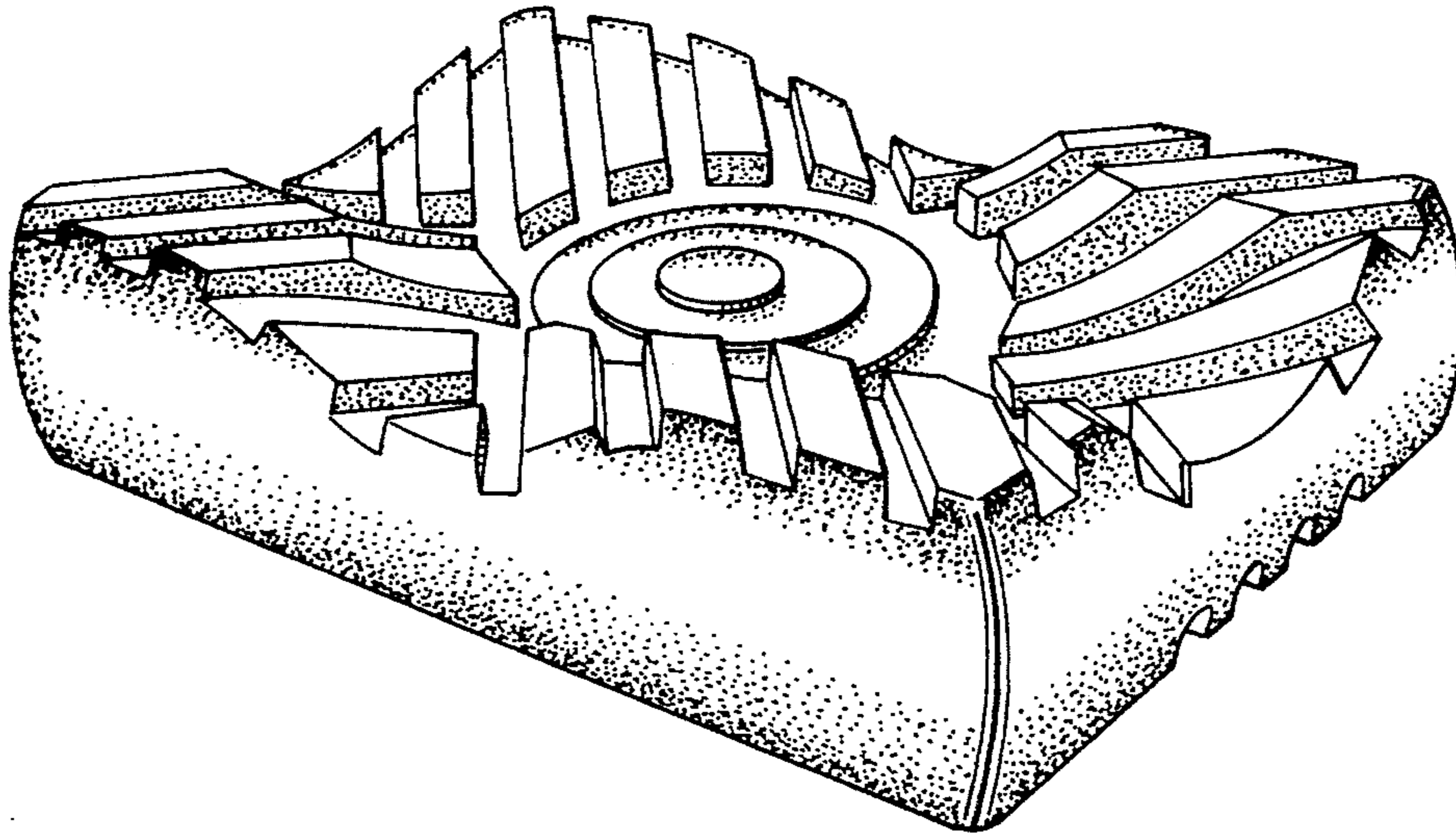
FIG. 1 is a perspective view showing the top, front, and left side of my new design of a bullseye therapeutic pillow;
FIG. 2 is a perspective view showing the bottom, rear, and left side thereof;
FIG. 3 is a top plan view thereof;
FIG. 4 is a front elevational view thereof, the rear elevational view is a mirror image; and,
FIG. 5 is a right side elevational view thereof, the left side elevational view is a mirror image.

[56] **References Cited**

U.S. PATENT DOCUMENTS

| | | | | |
|------------|--------|--------|-------|---------|
| D. 310,610 | 9/1990 | Dixon | | D6/595 |
| 4,259,757 | 4/1981 | Watson | | D24/183 |
| 4,320,543 | 3/1982 | Dixon | | 5/434 |
| 4,752,064 | 6/1988 | Voss | | D24/183 |
| 5,014,377 | 5/1991 | Dixon | | 5/434 |
| 5,123,132 | 6/1992 | Dixon | | 5/636 |

1 Claim, 2 Drawing Sheets



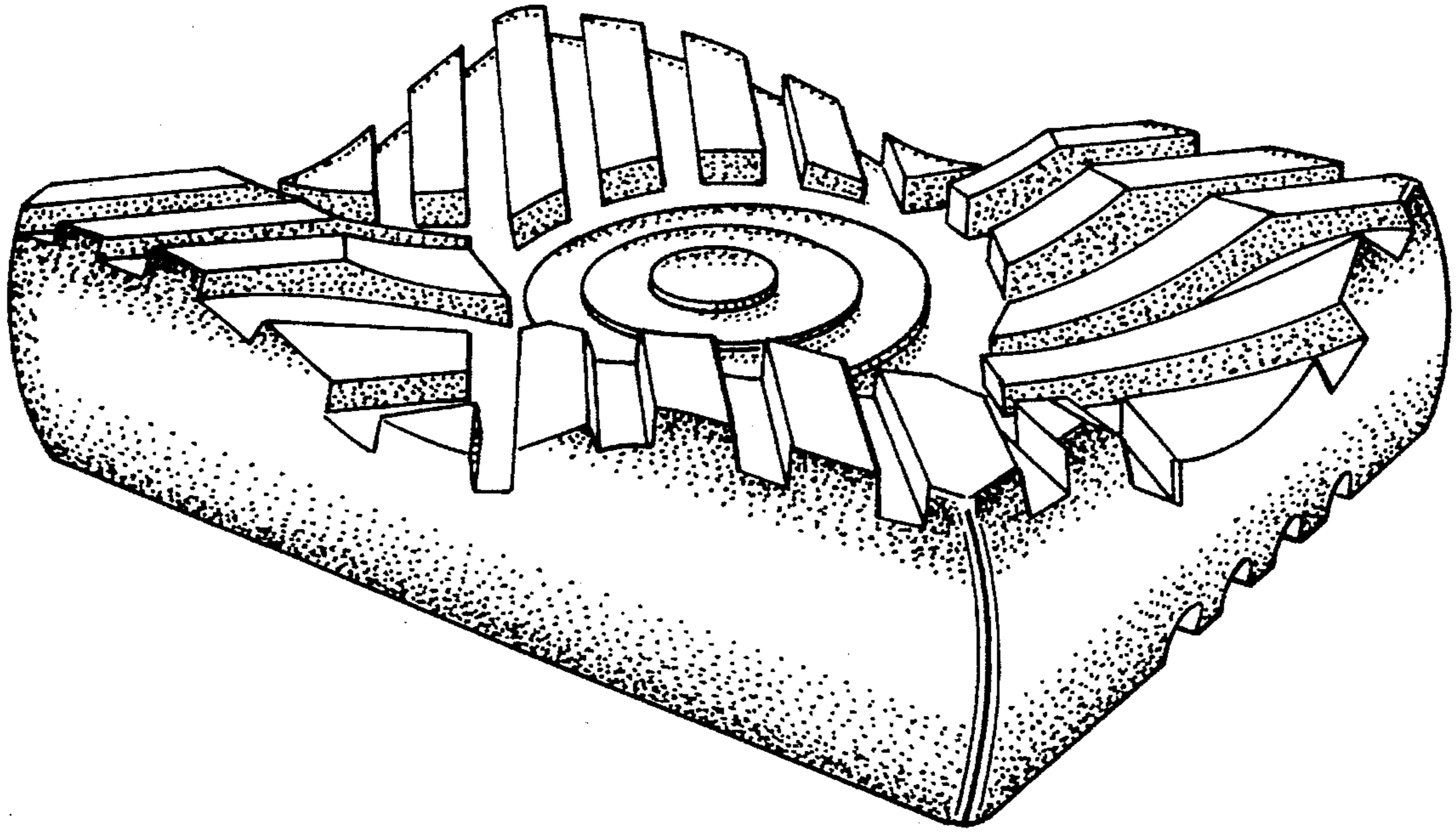


FIG. 1

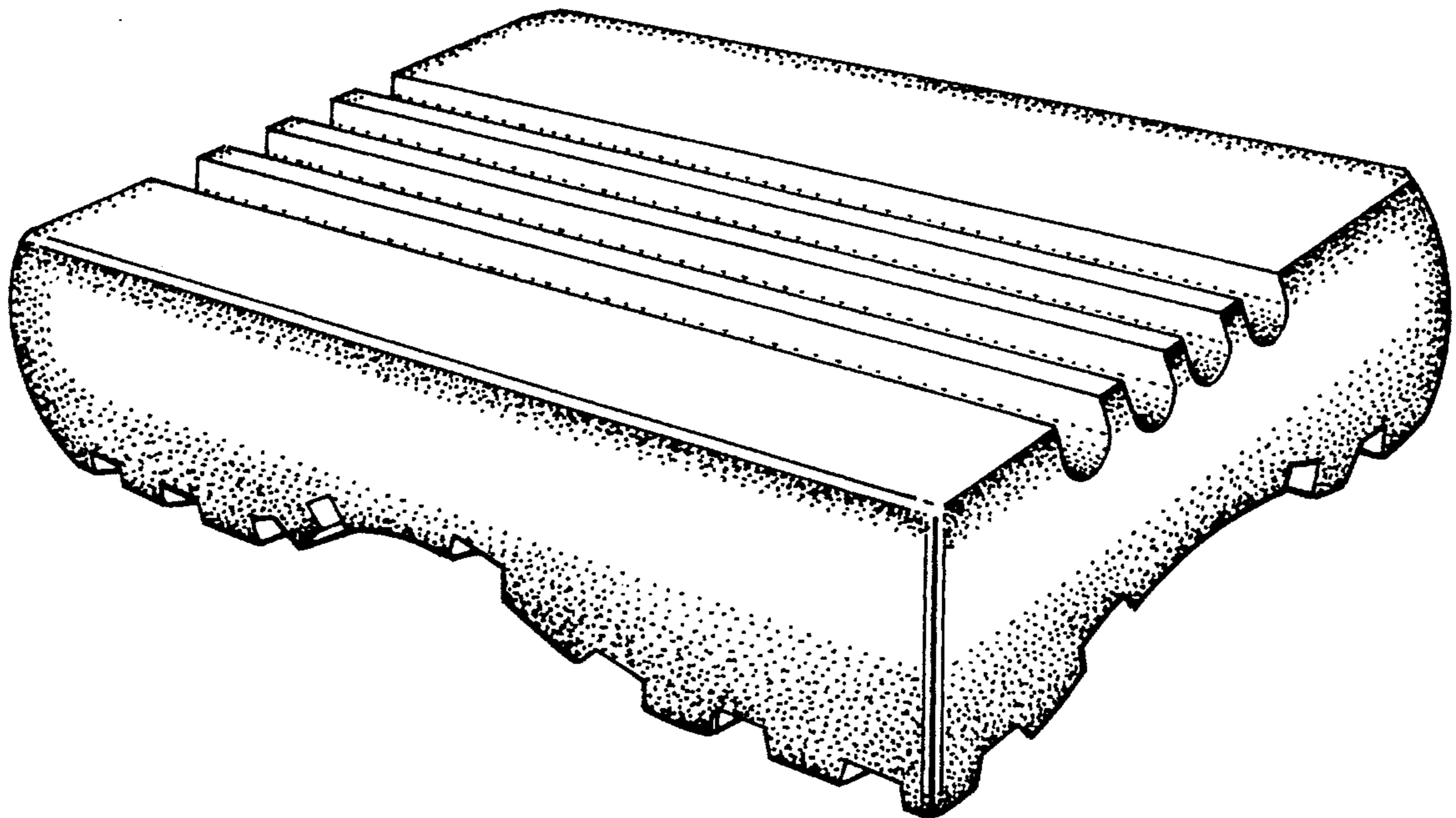


FIG. 2

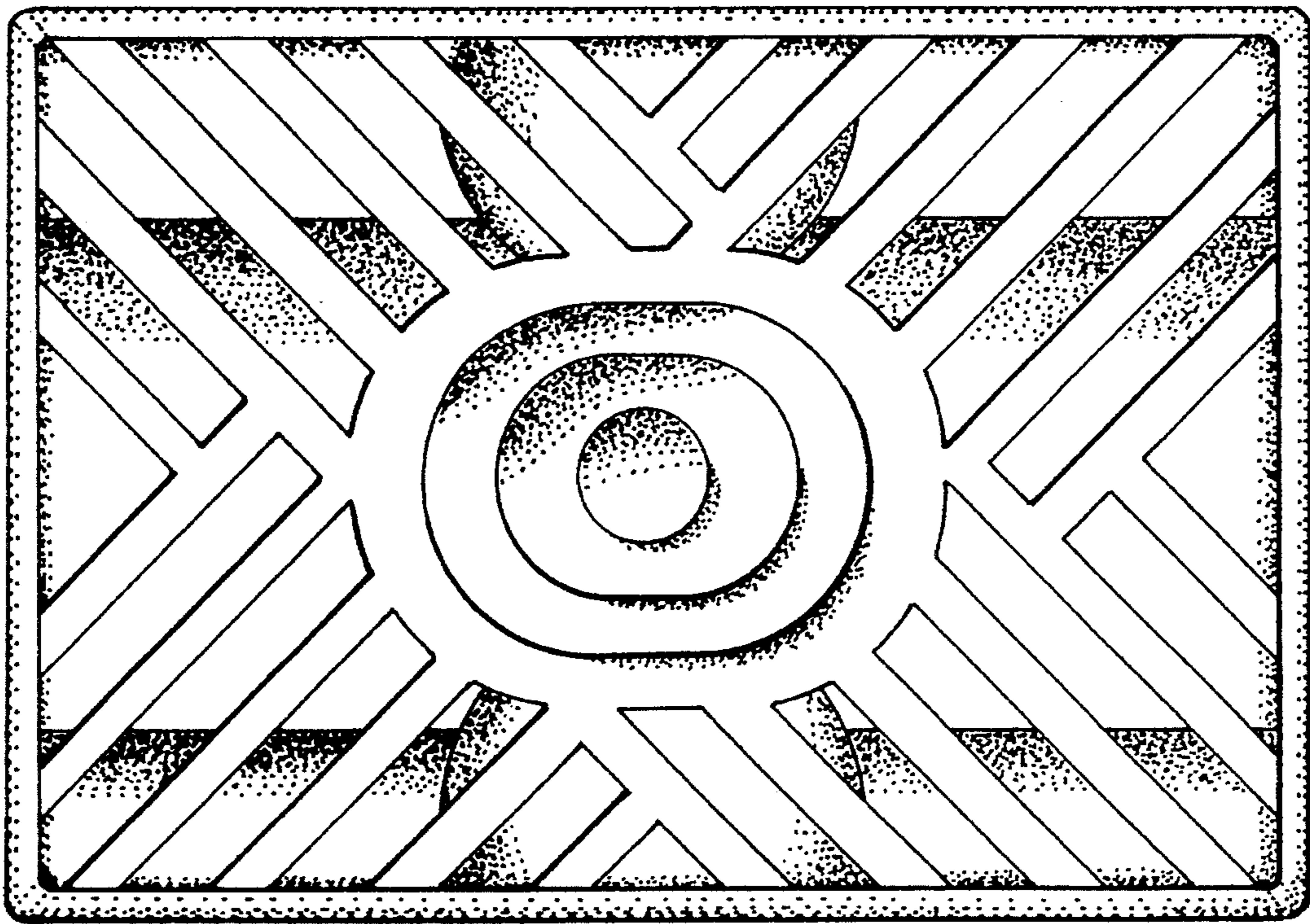


FIG. 3

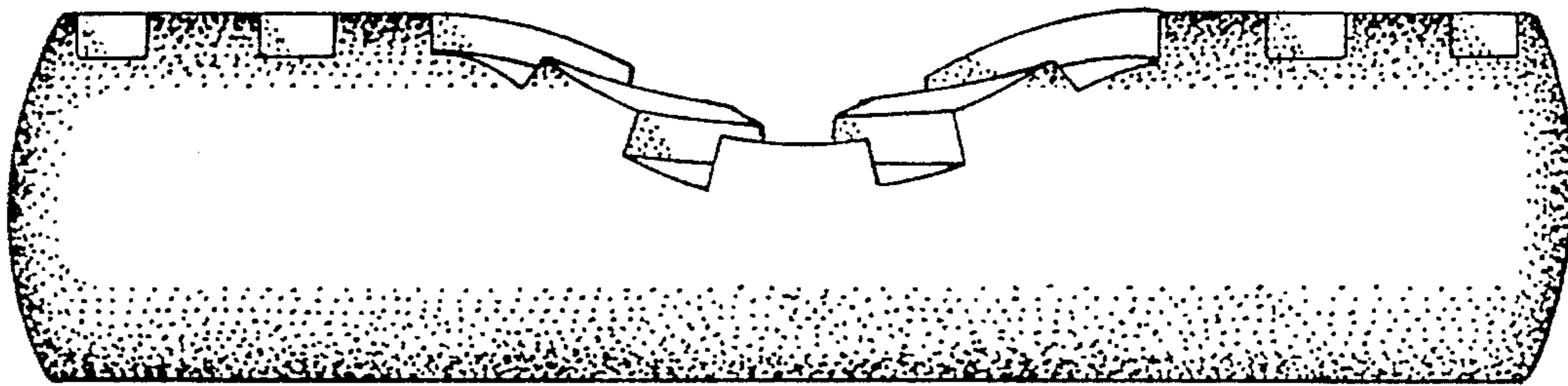


FIG. 4

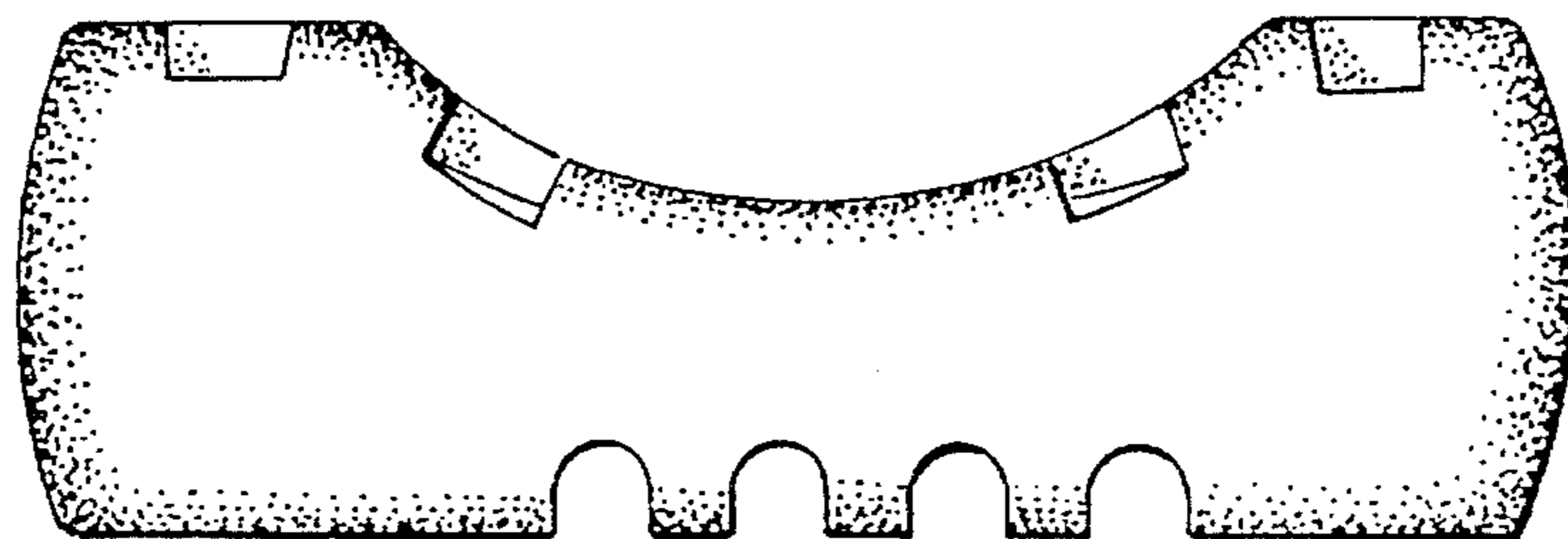


FIG. 5