



US00D363402S

# United States Patent [19]

Molo

[11] Patent Number: Des. 363,402

[45] Date of Patent: \*\*Oct. 24, 1995

[54] PAPER TOWEL HOLDER

[75] Inventor: Nicholas J. Molo, Kissimmee, Fla.

[73] Assignee: Dart Industries Inc., Deerfield, Ill.

[\*\*] Term: 14 Years

[21] Appl. No.: 24,272

[22] Filed: Jun. 17, 1994

[52] U.S. Cl. .... D6/522

[58] Field of Search ..... D6/518-523; 242/570, 242/579, 598, 598.1, 599.1

[56] **References Cited**

U.S. PATENT DOCUMENTS

- D. 154,933 8/1949 Lestage .
- D. 266,718 11/1982 Peabody et al. .... D6/519
- D. 286,118 10/1986 Gecchelin .
- D. 308,612 6/1990 Cuevas ..... D6/523
- D. 326,580 6/1992 Brazis .
- 1,999,759 4/1935 Hope .
- 2,091,311 8/1937 Fischer .

Primary Examiner—Brian N. Vinson  
Attorney, Agent, or Firm—John A. Doninger

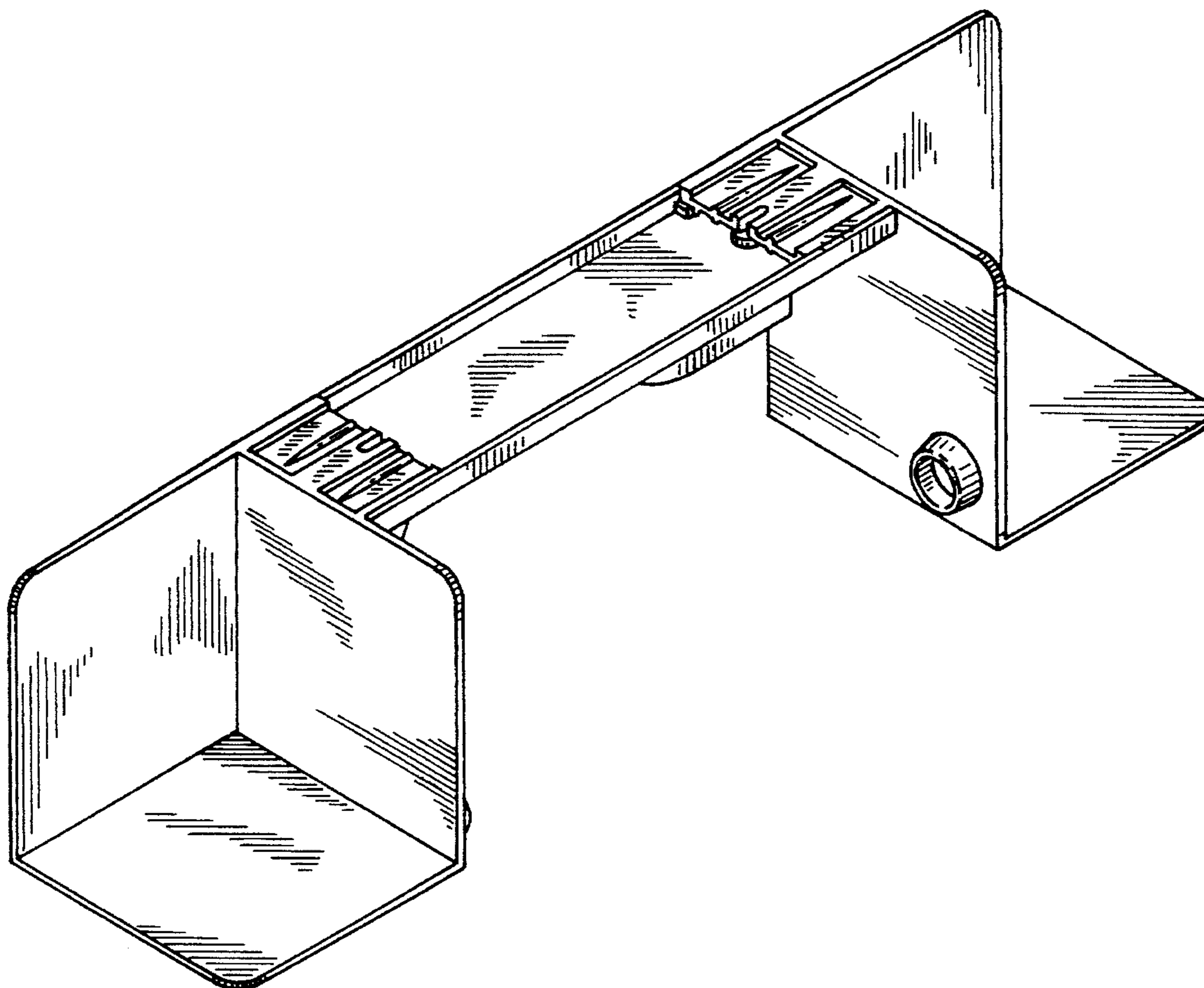
[57] **CLAIM**

The ornamental design for a paper towel holder, as shown.

**DESCRIPTION**

FIG. 1 is a top, front and end perspective view of a paper towel holder showing my new design;  
 FIG. 2 is an exploded perspective view thereof;  
 FIG. 3 is a top plan view thereof;  
 FIG. 4 is a bottom plan view thereof;  
 FIG. 5 is a front elevation view thereof;  
 FIG. 6 is a rear elevation view thereof;  
 FIG. 7 is a left end view thereof;  
 FIG. 8 is a right end view thereof;  
 FIG. 9 is a cross-section view thereof on line 9—9 in FIG. 3; and,  
 FIG. 10 is a cross-section view thereof on line 10—10 in FIG. 3.

1 Claim, 6 Drawing Sheets



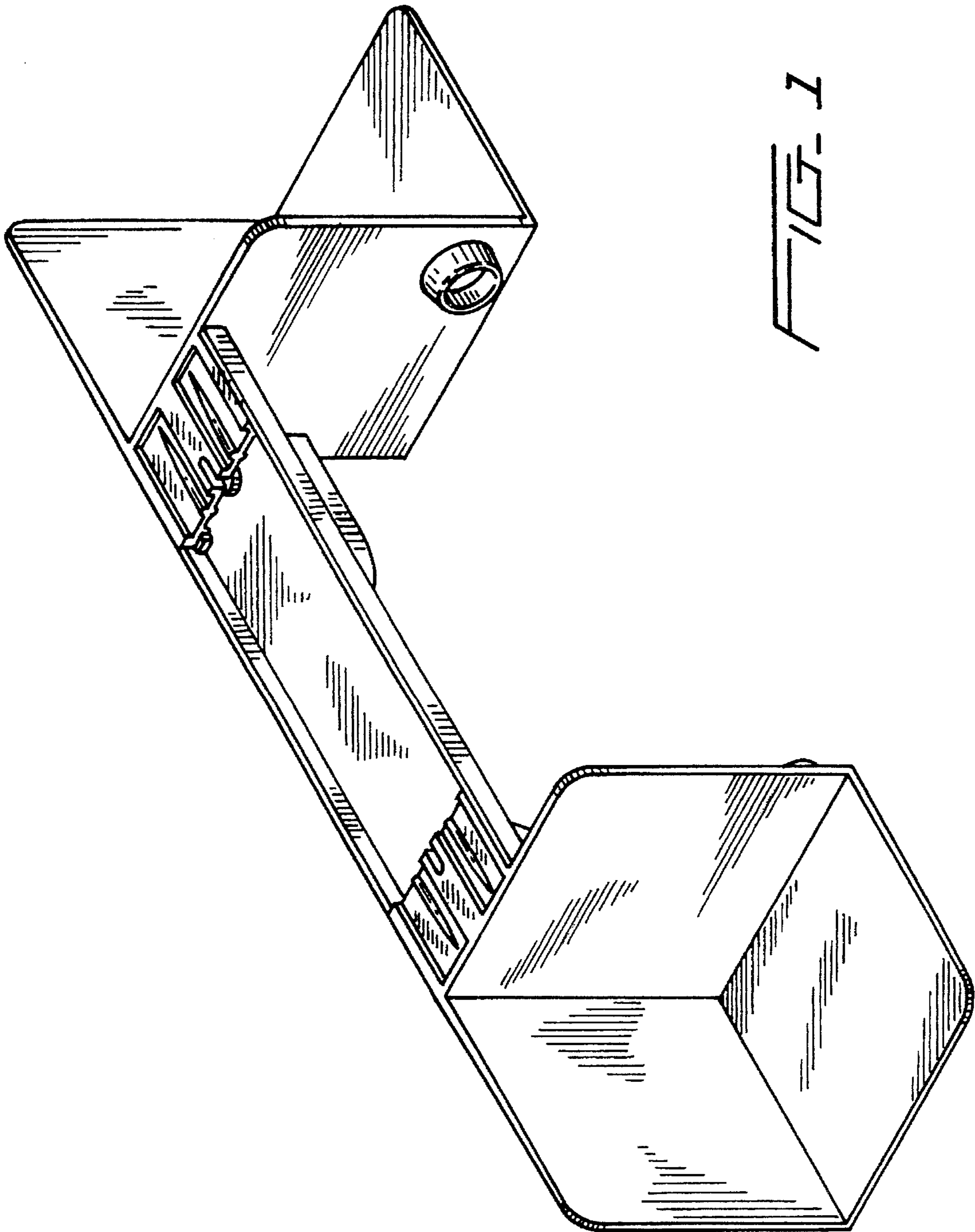
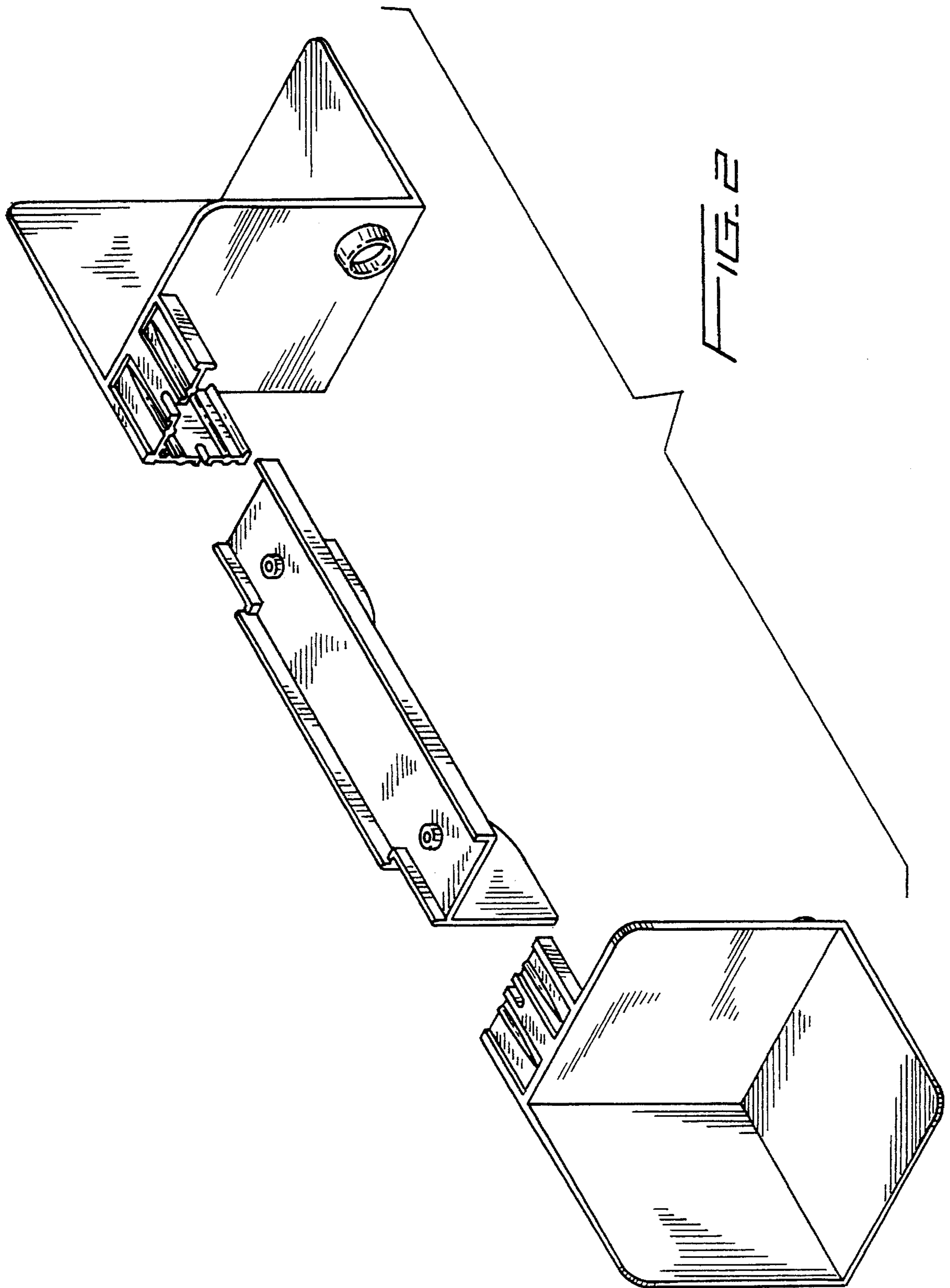


FIG. 1



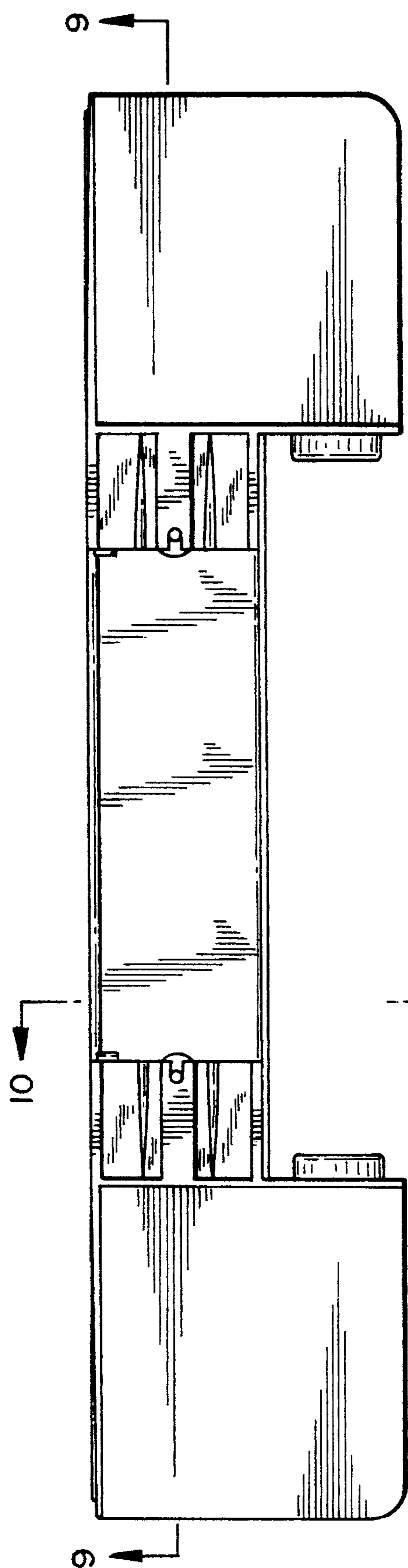


FIG. 3

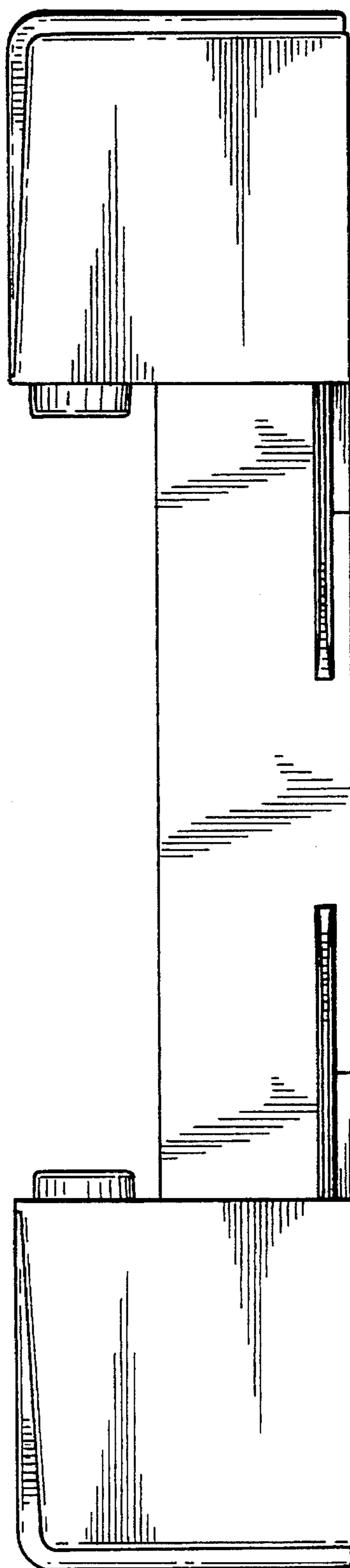


FIG. 4

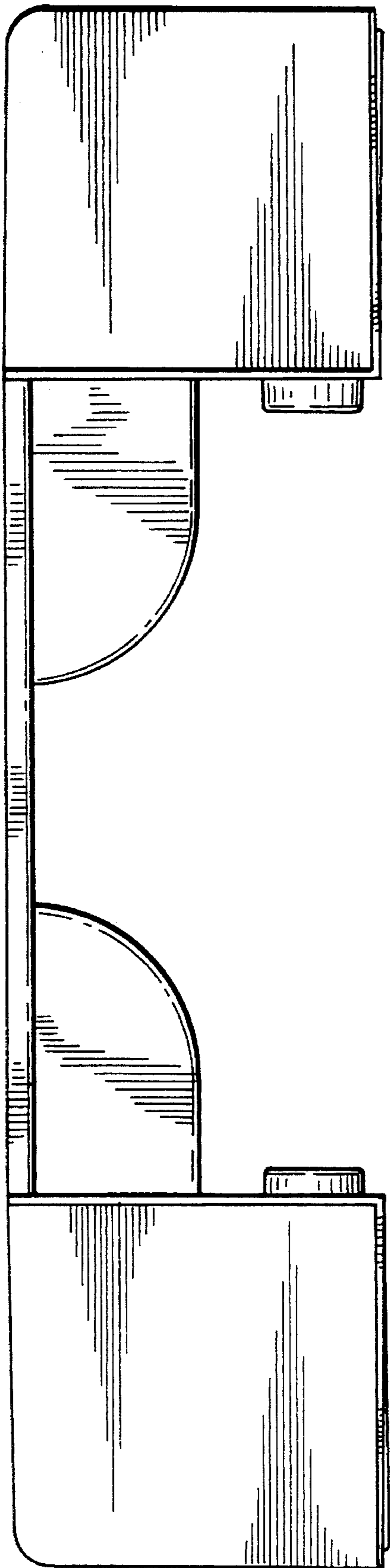


FIG. 5

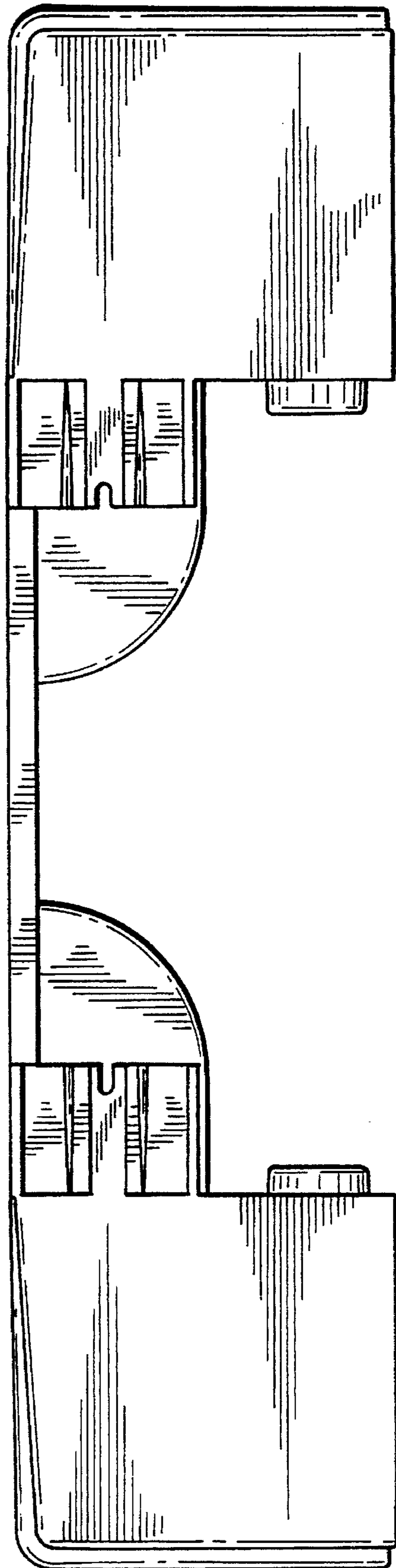


FIG. 6

FIG. 8

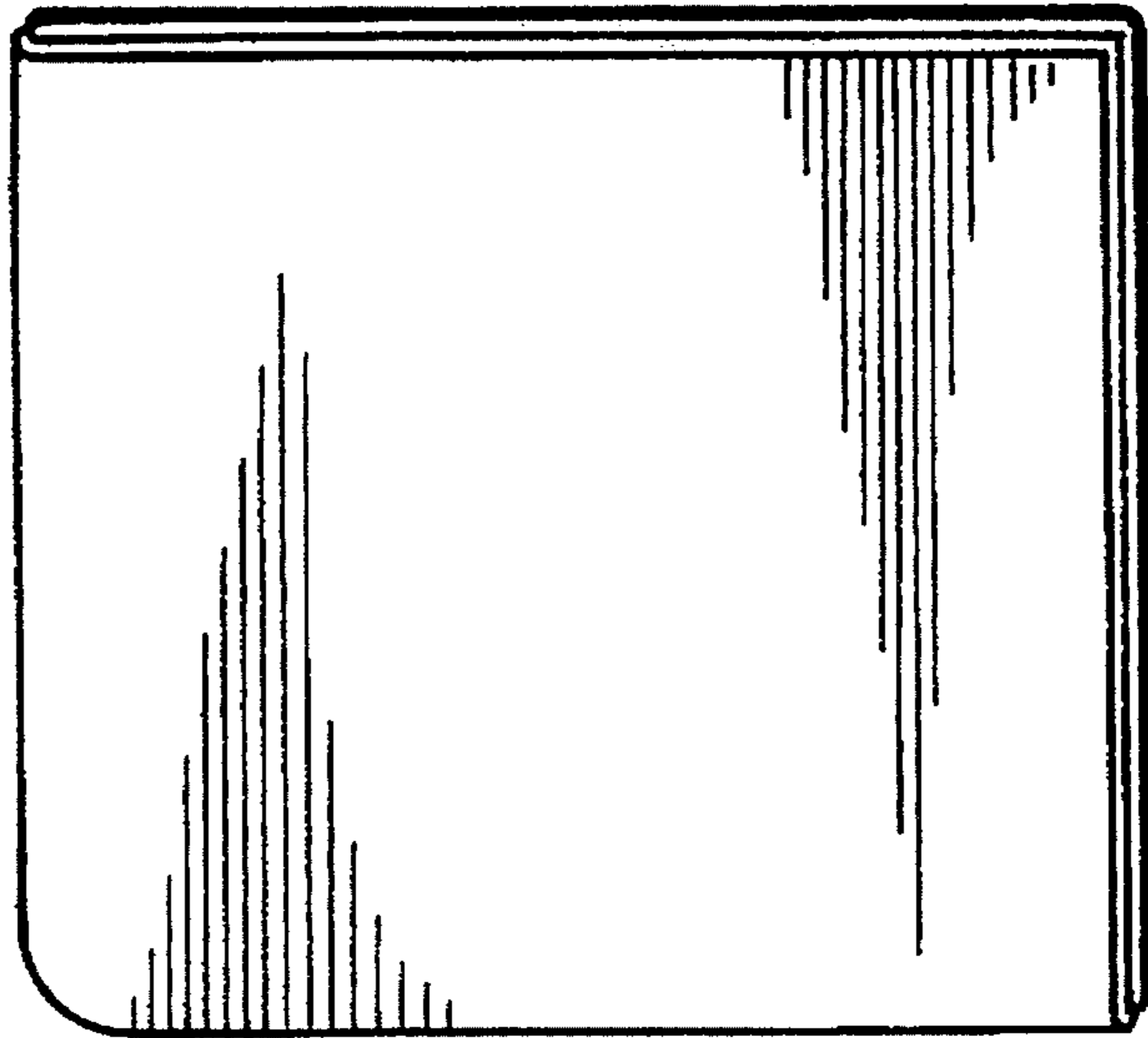


FIG. 7



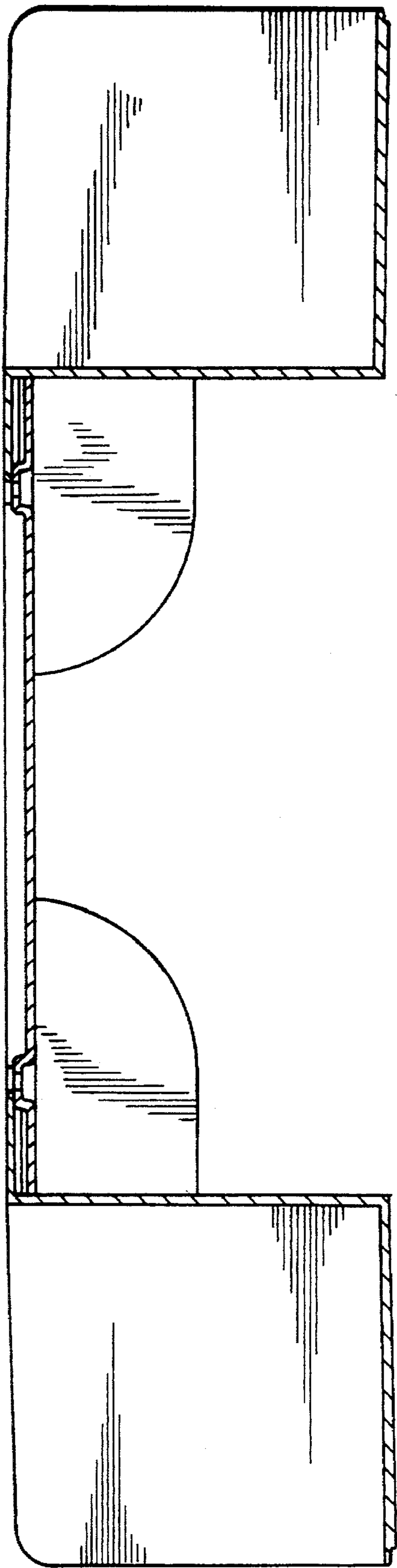


FIG. 9

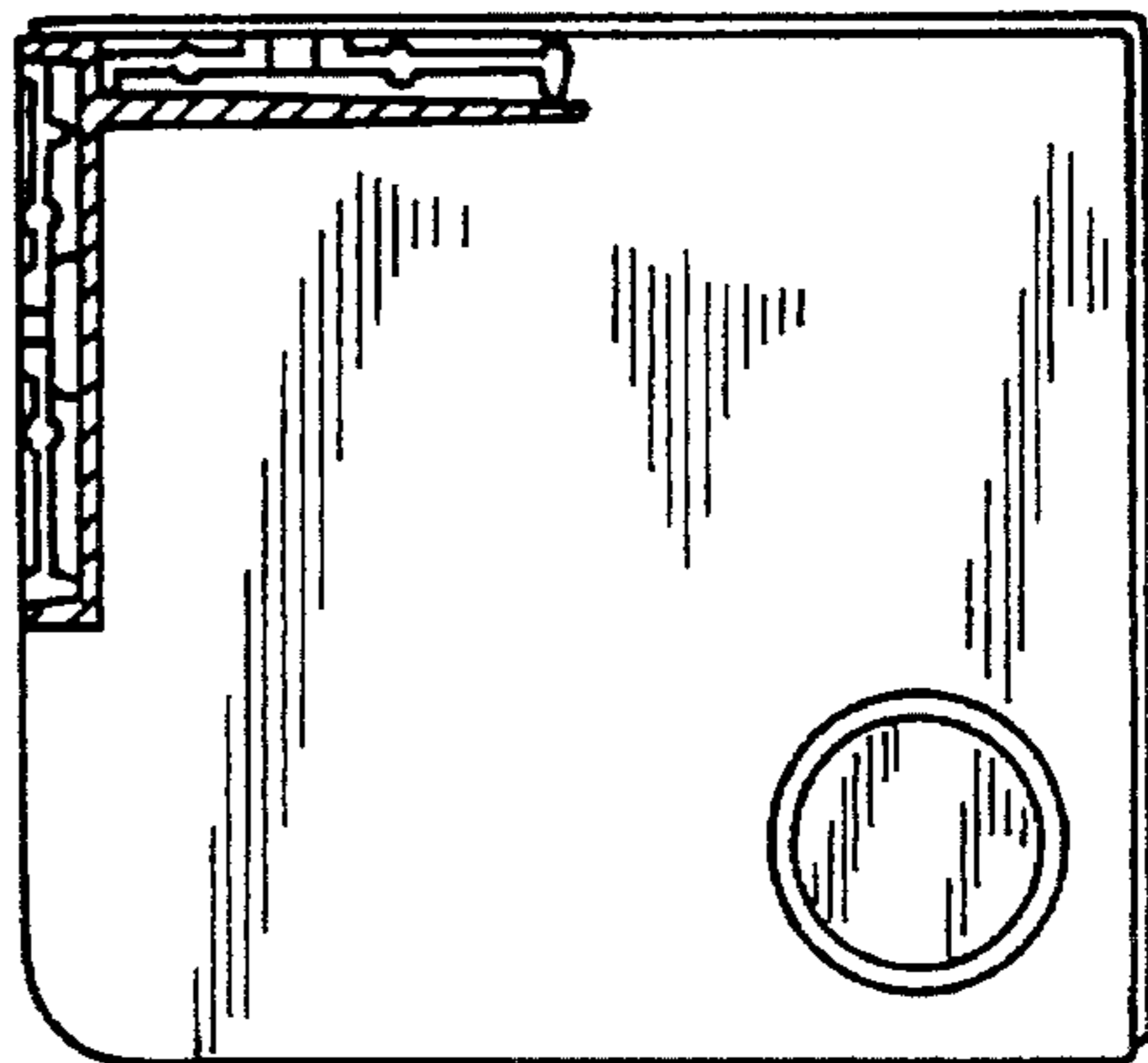


FIG. 10