



US00D363401S

United States Patent [19]
Wingerter

[11] **Patent Number: Des. 363,401**
[45] **Date of Patent: **Oct. 24, 1995**

[54] **BACKREST**

D. 332,182 1/1993 Citterio D6/334 X

[75] Inventor: **Hans-Joachim Wingerter**,
Wutoschingen, Germany

Primary Examiner—Janice E. Seeger
Attorney, Agent, or Firm—William Brinks Hofer Gilson & Lione

[73] Assignee: **Herman Miller, Inc.**, Zeeland, Mich.

[57] **CLAIM**

[**] Term: **14 Years**

The ornamental design for a backrest, as shown and described.

[21] Appl. No.: **25,222**

DESCRIPTION

[22] Filed: **Aug. 3, 1994**

[52] U.S. Cl. **D6/502**

[58] **Field of Search** D6/500-502, 334,
D6/366, 376, 379, 368; 297/452.1, 452.14,
452.24, 452.12

FIG. 1 is a top front perspective view of a backrest showing my new design;
FIG. 2 is a right side elevational view thereof; the left side being a mirror image of the right side;
FIG. 3 is a front elevational view thereof;
FIG. 4 is a rear elevational view thereof;
FIG. 5 is a top plan view thereof; and,
FIG. 6 is a bottom plan view thereof.

The broken lines are for environmental purposes only and form no part of the claimed invention.

[56] **References Cited**

U.S. PATENT DOCUMENTS

D. 294,319	2/1988	Troup et al.	D6/502
D. 327,782	7/1992	Citterio	D6/366
D. 328,199	7/1992	Citterio	D6/366
D. 330,809	11/1992	Citterio	D6/366

1 Claim, 2 Drawing Sheets

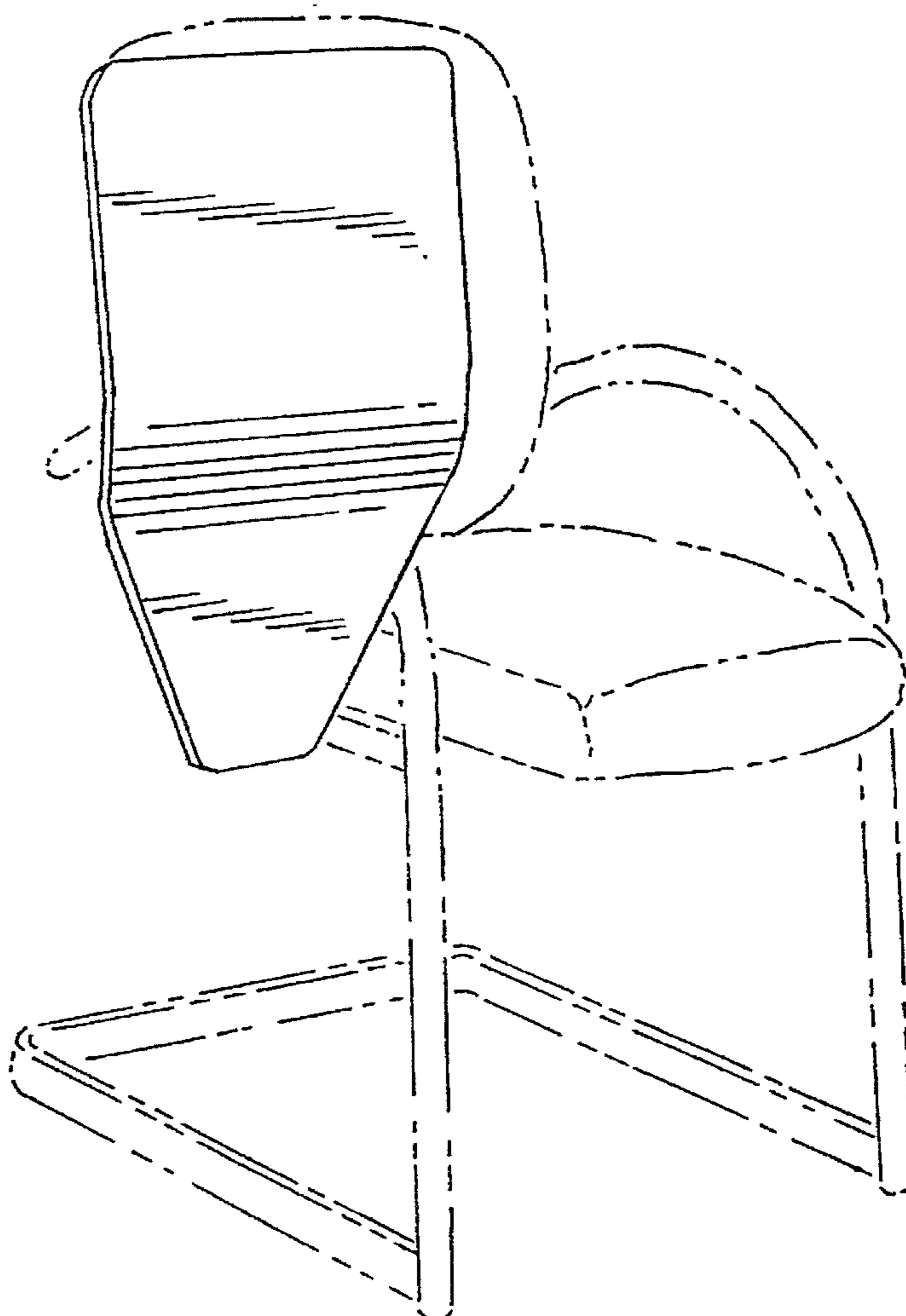


FIG. 1

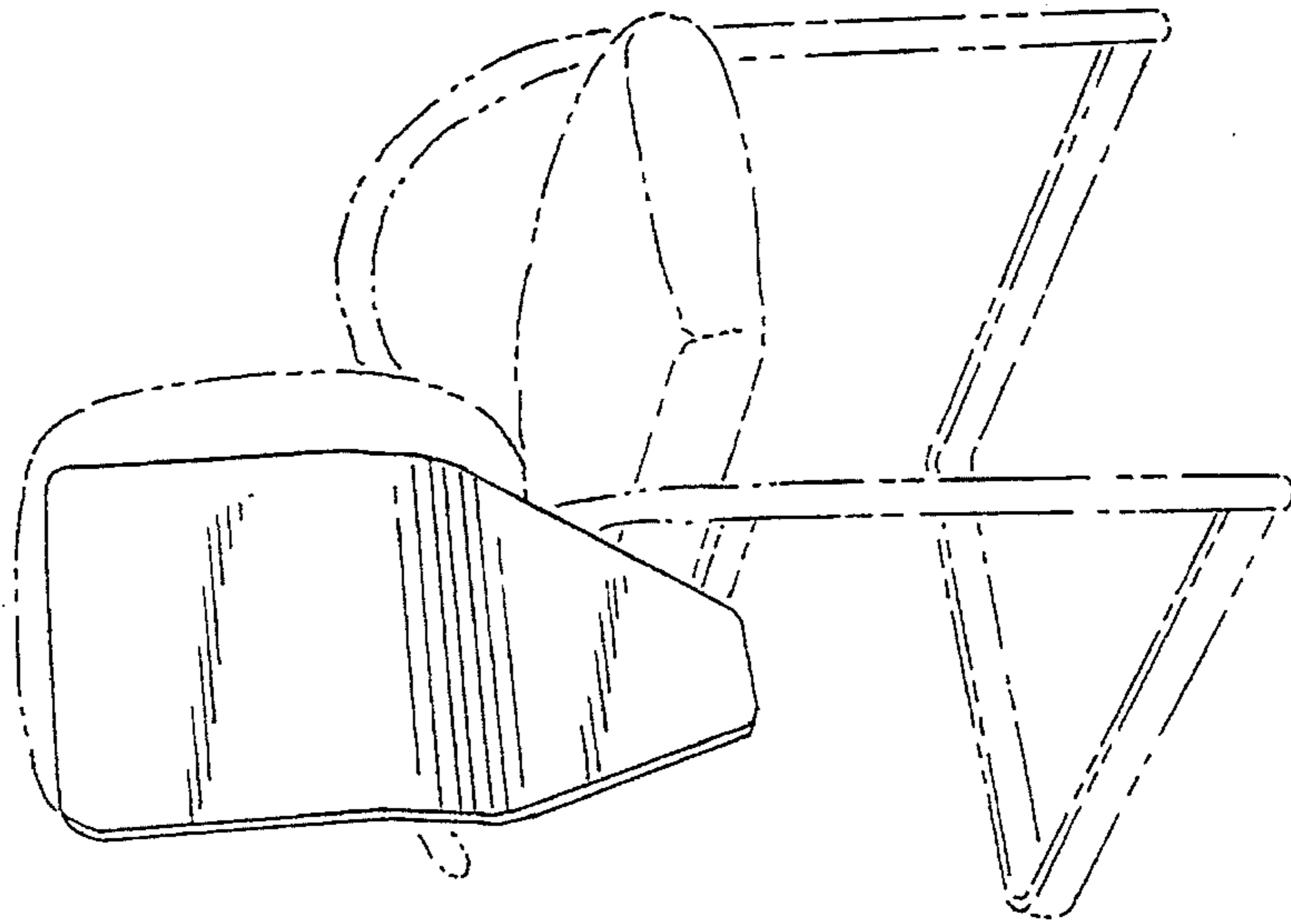


FIG. 2

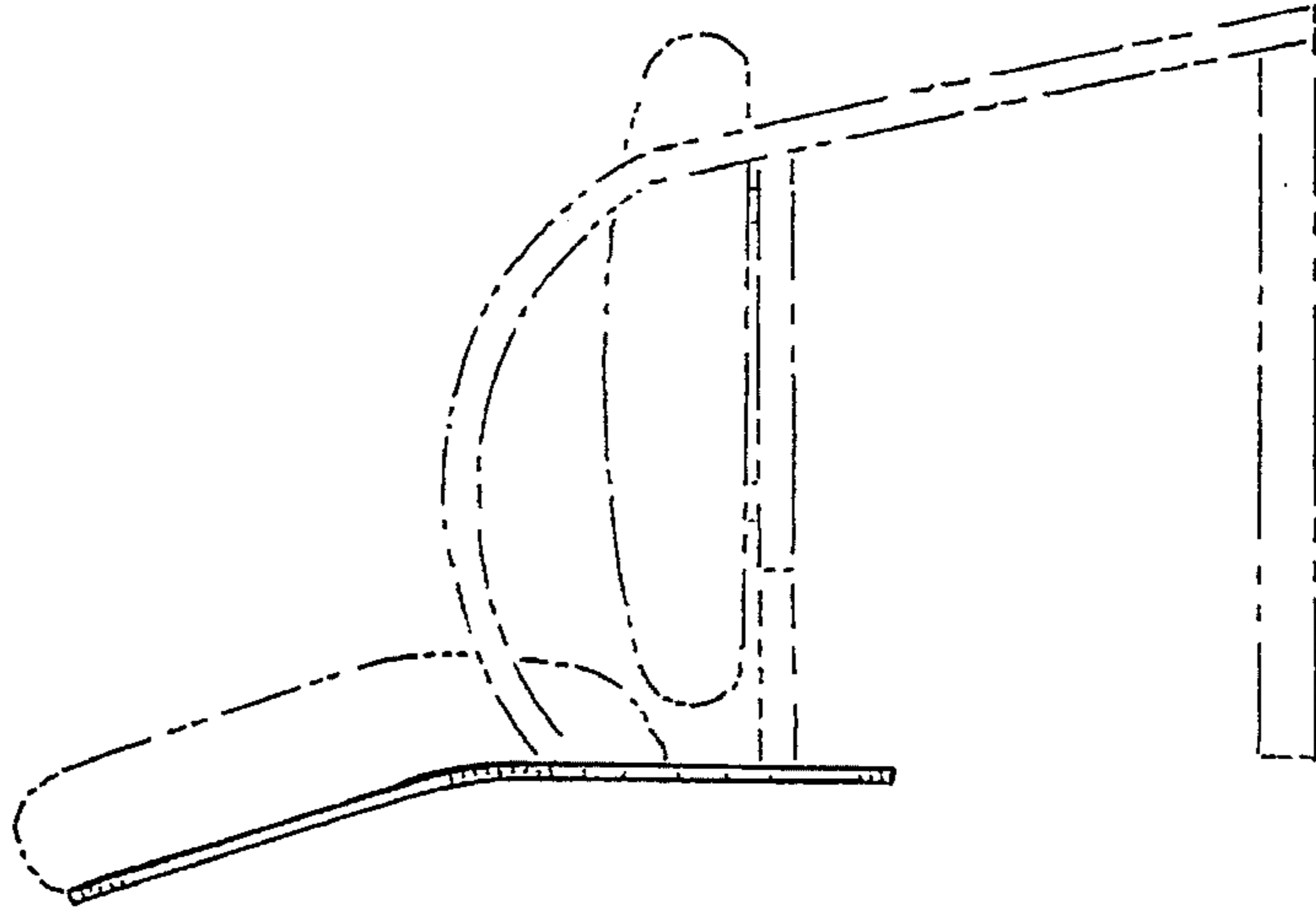


FIG. 3

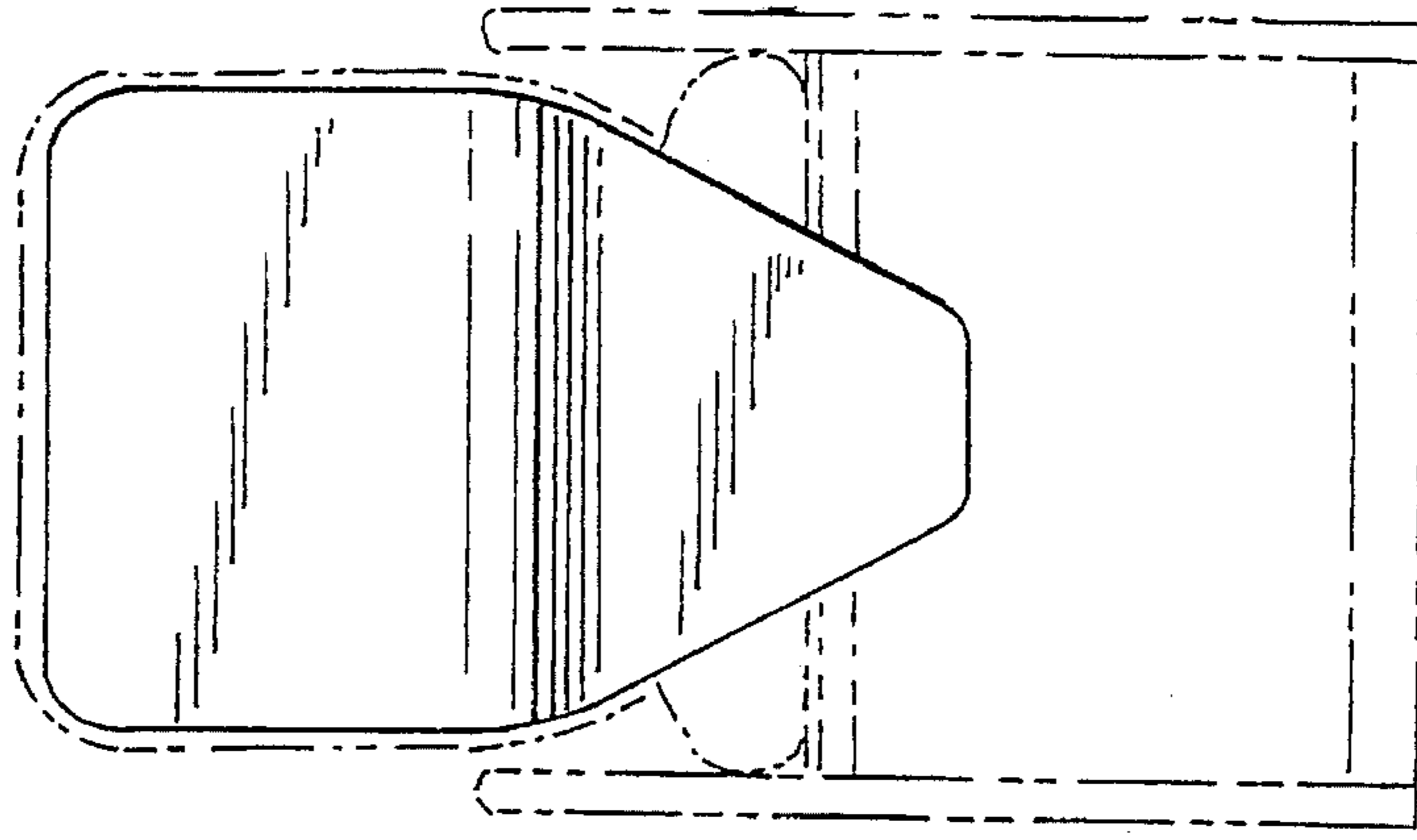


FIG. 4

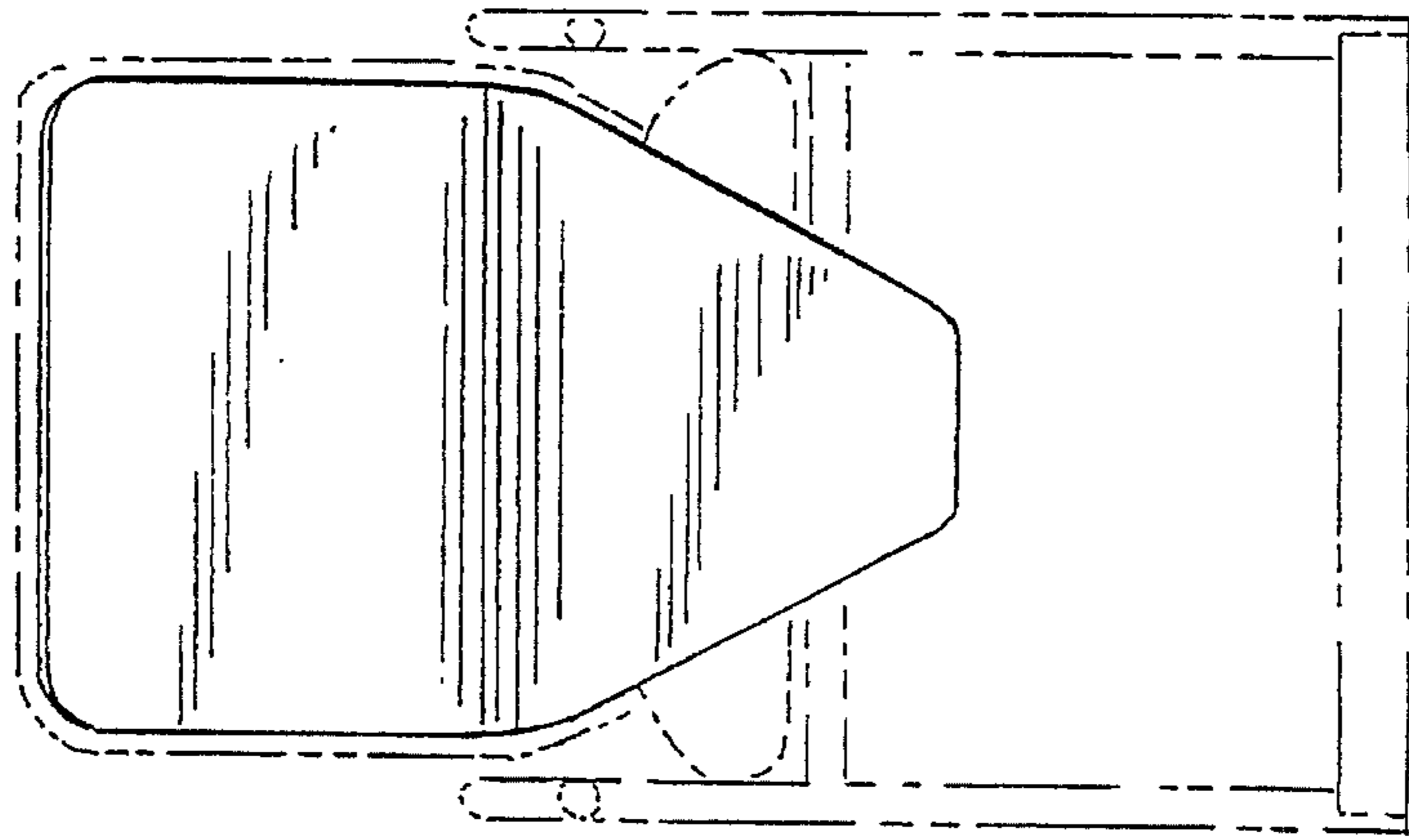


FIG. 5

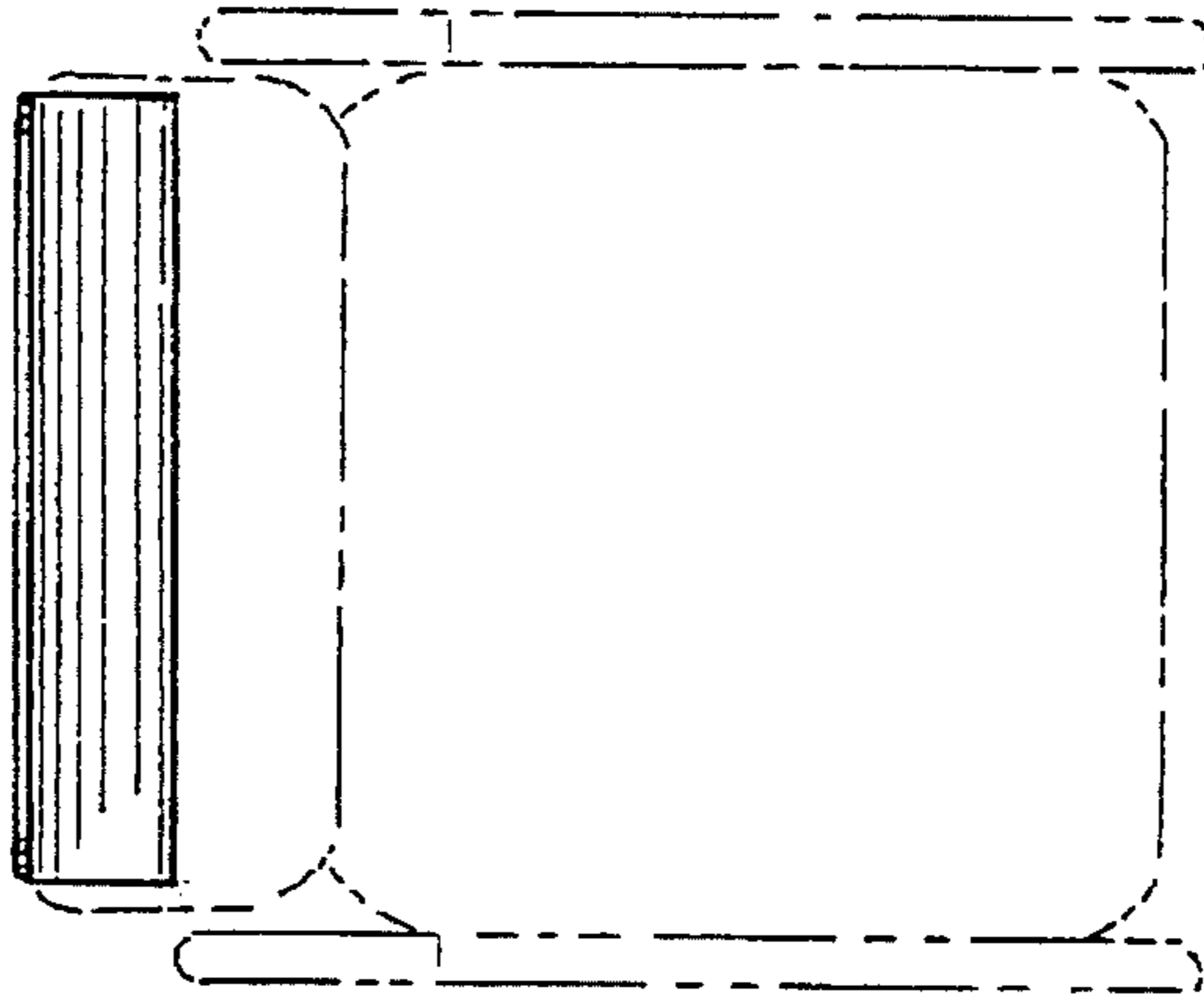


FIG. 6

