



US00D363399S

# United States Patent [19]

[11] Patent Number: **Des. 363,399**

**Wong**

[45] Date of Patent: **\*\*\* Oct. 24, 1995**

## [54] COCKTAIL TABLE

[76] Inventor: **Kathi Wong**, 123 Mission St., Plaza Level, San Francisco, Calif. 94105

[\*] Notice: The portion of the term of this patent subsequent to Jan. 18, 2008 has been disclaimed.

[\*\*] Term: **14 Years**

[21] Appl. No.: **14,392**

[22] Filed: **Oct. 20, 1993**

D. 197,778	3/1964	Ritts	.....	D6/488 X
D. 238,526	1/1976	Bush	.....	D6/486
D. 242,592	12/1976	Gabourie	.....	D6/498
D. 245,656	9/1977	Gabourie	.....	D6/498
D. 269,399	6/1988	Epp	.....	D6/486
D. 339,002	9/1993	Wong	.....	D6/484 X
D. 343,310	1/1994	Wong	.....	D6/486
4,078,757	3/1978	Waters	.....	108/150 X

*Primary Examiner*—Janice E. Seeger  
*Attorney, Agent, or Firm*—Kam T. Tam

## [57] CLAIM

The ornamental design for a cocktail table, as shown and described.

## Related U.S. Application Data

[63] Continuation-in-part of Ser. No. 788,746, Nov. 7, 1991, Pat. No. D. 343,310.

[52] U.S. Cl. .... **D6/486**; D6/487

[58] Field of Search ..... D6/480-489, 495, D6/498, 499, 511, 450, 451; 108/150, 153-157, 160, 161

## DESCRIPTION

FIG. 1 is a perspective view of the cocktail table embodying my new design;  
FIG. 2 is a bottom perspective view thereof;  
FIG. 3 is a side elevational view thereof;  
FIG. 4 is a top plan view thereof;  
FIG. 5 is a bottom plan view thereof taken along line 5—5 of FIG. 3; and,  
FIG. 6 is an elevational side view, shown partially in cross-section, taken along line 6—6 of FIG. 1.

## [56] References Cited

### U.S. PATENT DOCUMENTS

D. 165,829 2/1952 Dorr, Jr. .... D6/486

**1 Claim, 3 Drawing Sheets**

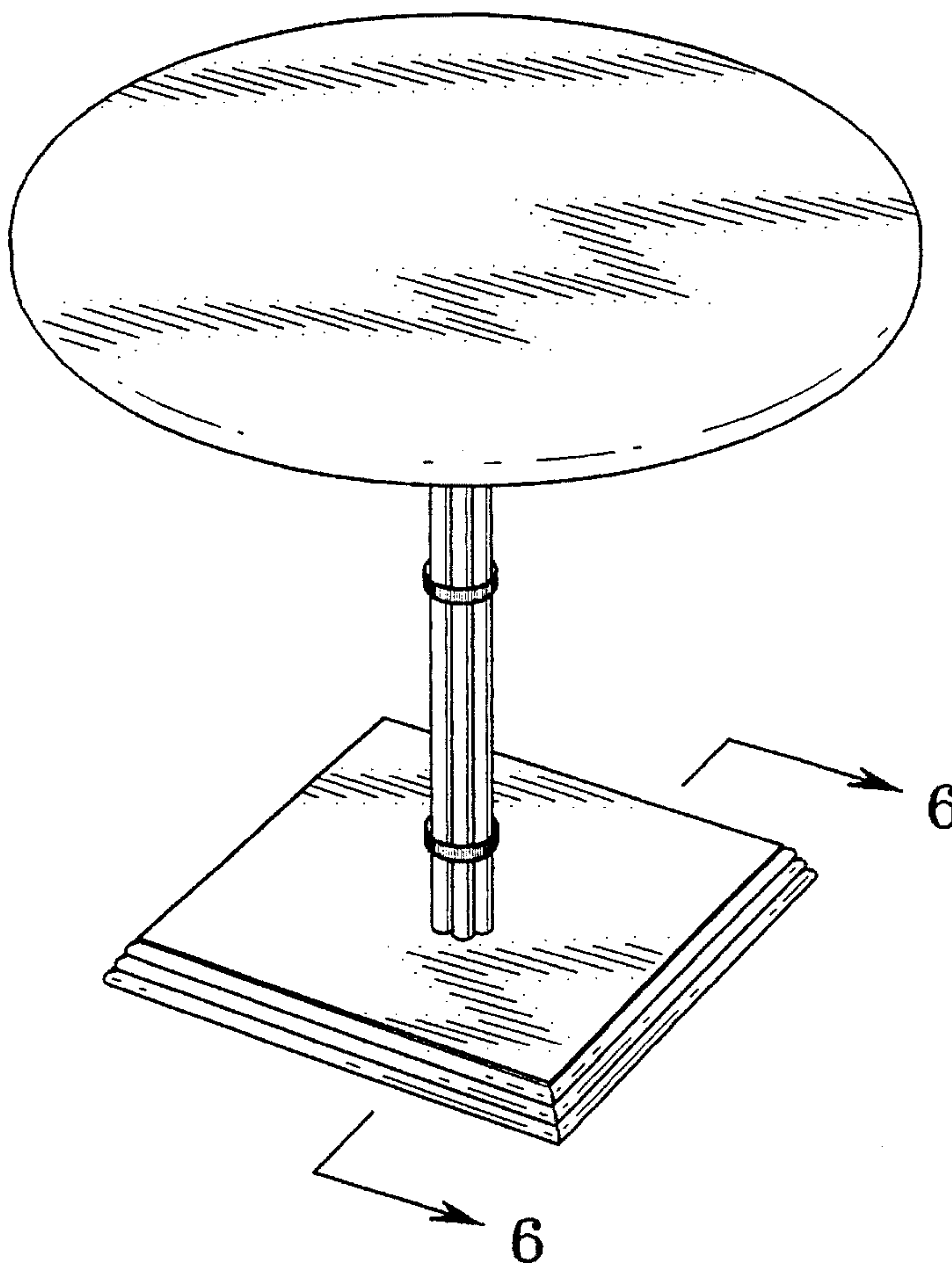


Fig. 1

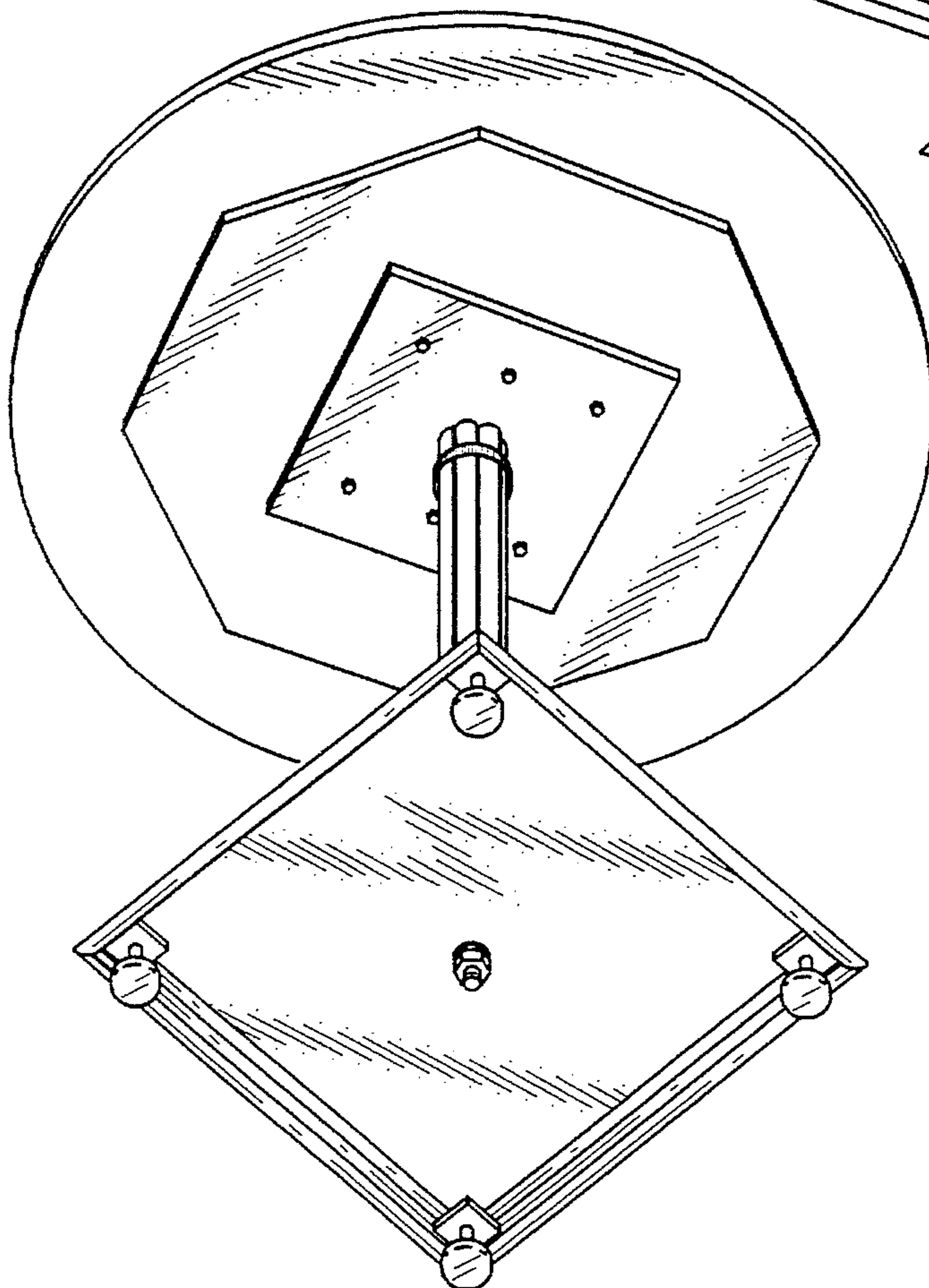
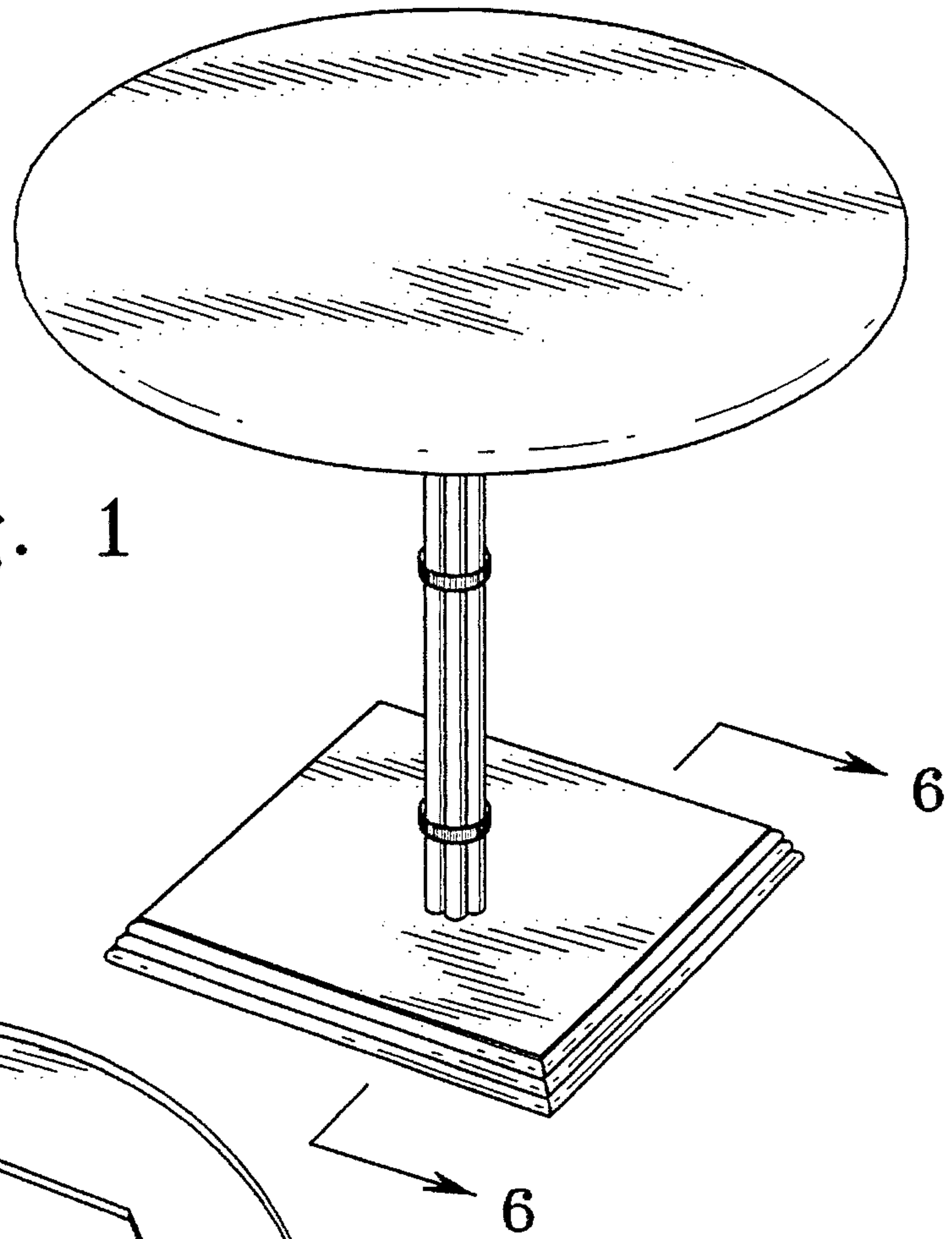


Fig. 2

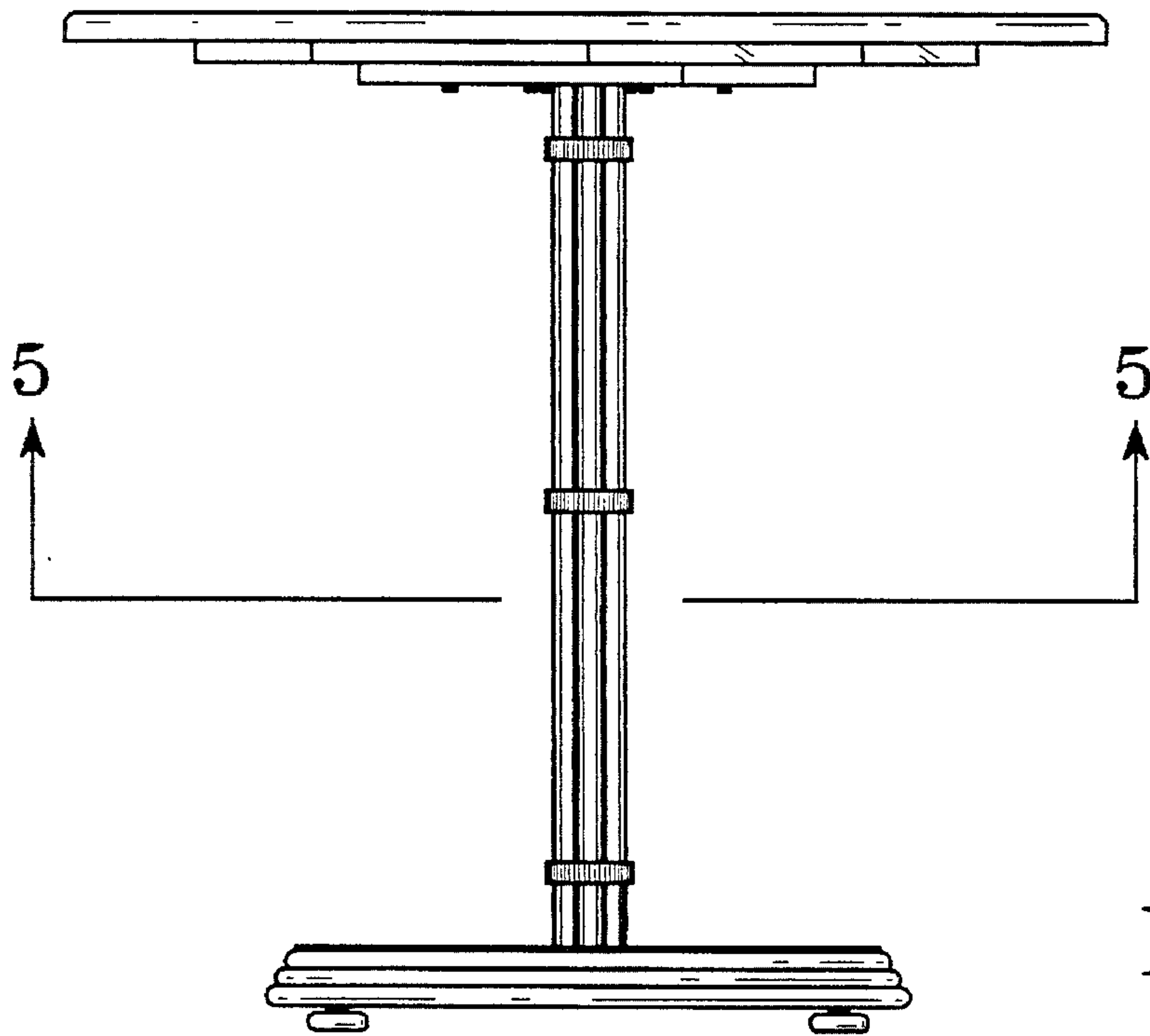


Fig. 3

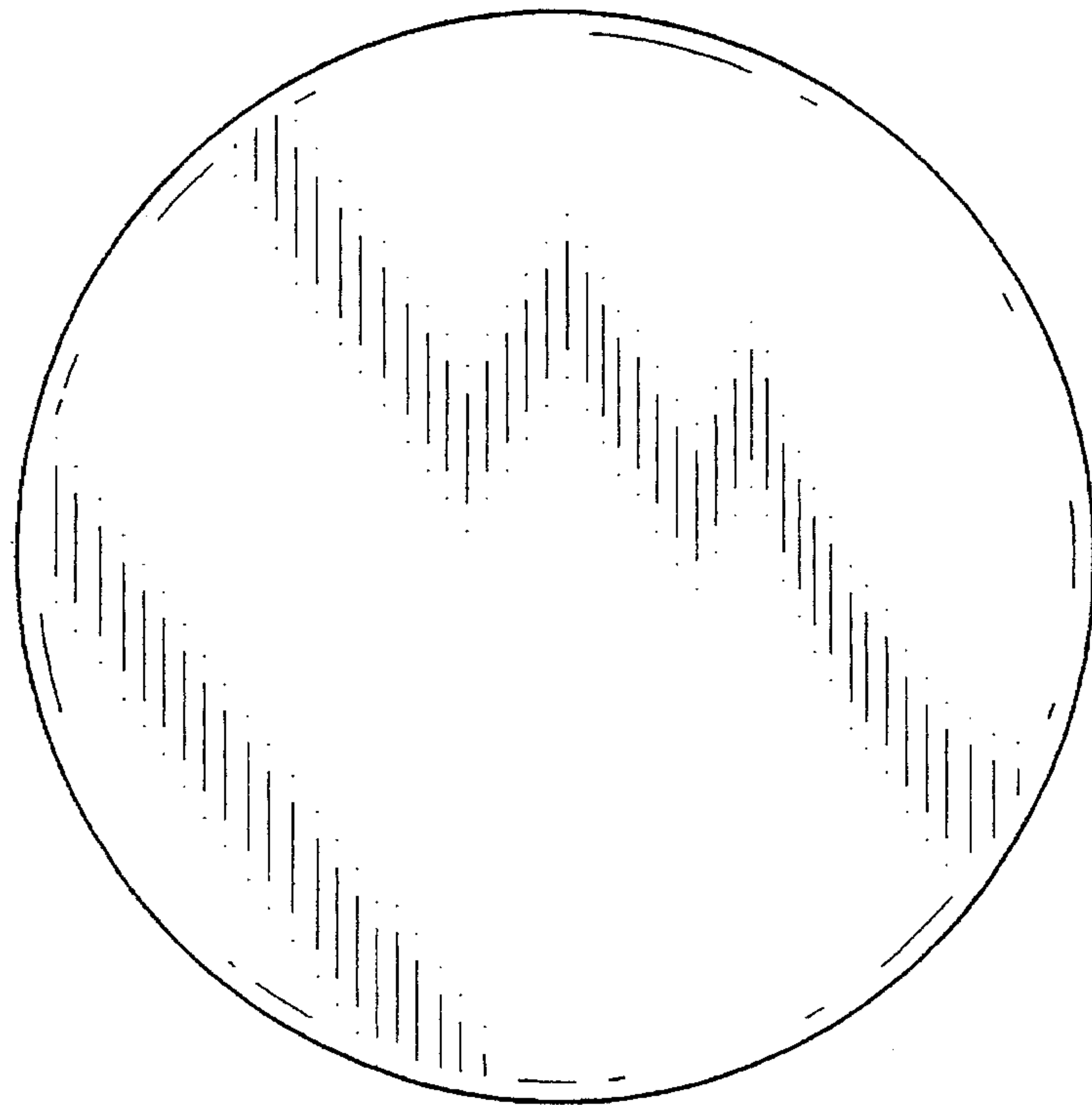


Fig. 4

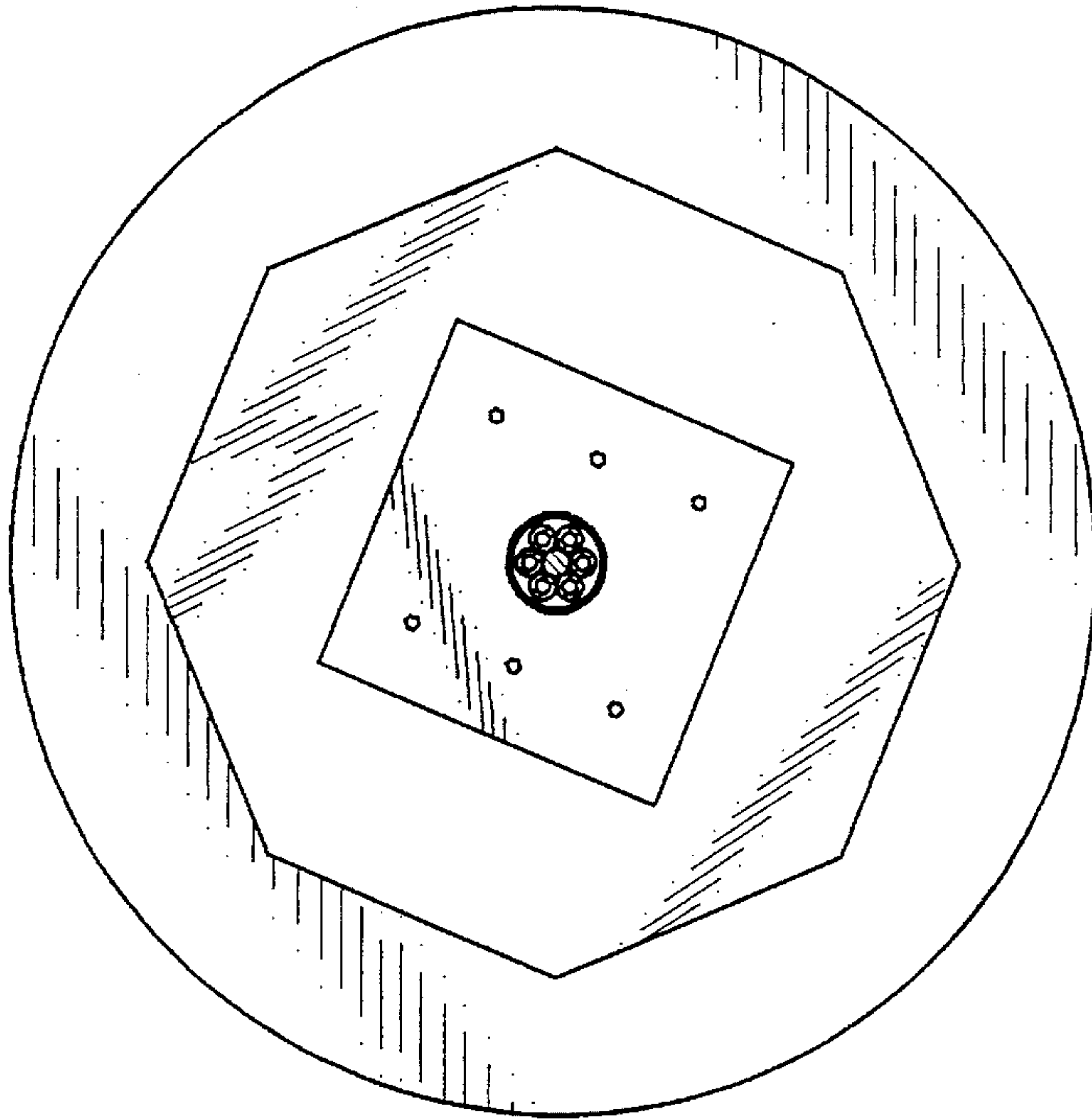


Fig. 5

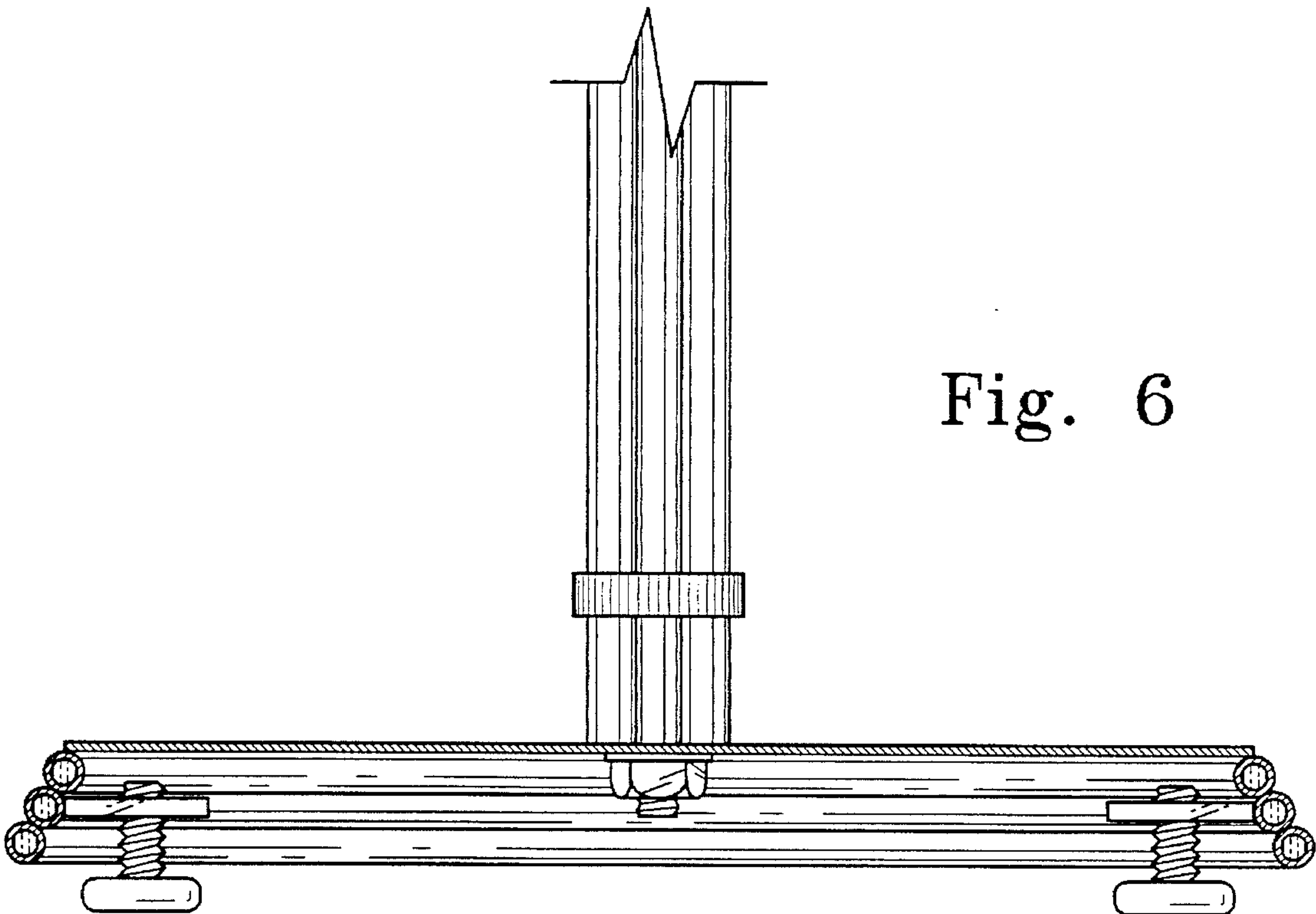


Fig. 6