



US00D363397S

# United States Patent [19]

Cohen et al.

[11] Patent Number: **Des. 363,397**

[45] Date of Patent: **\*\*Oct. 24, 1995**

[54] **PROMOTIONAL DISPLAY**

D. 223,309 4/1972 Van Valin ..... D24/227  
D. 290,621 6/1987 Osvik ..... D20/10

[75] Inventors: **Norton E. Cohen; John J. Thorwegen; Edward W. Bydalek**, all of St. Louis, Mo.

*Primary Examiner*—Alan P. Douglas  
*Assistant Examiner*—S. Snapp  
*Attorney, Agent, or Firm*—Herzog, Crebs & McGhee

[73] Assignee: **Queponzi, Ltd.**, St. Louis, Mo.

[57] **CLAIM**

[\*\*] Term: **14 Years**

The ornamental design of a promotional display, as shown and described.

[21] Appl. No.: **23,162**

[22] Filed: **May 19, 1994**

**DESCRIPTION**

[52] U.S. Cl. .... **D6/449**

[58] Field of Search ..... D6/396, 399, 449, D6/450, 451, 466-469, 473-476; D24/227; D20/10, 18, 19; 248/127, 158, 469

FIG. 1 is an isometric view of the promotional display showing our new design;  
FIG. 2 is a front elevation view thereof;  
FIG. 3 is a right side elevation view thereof;  
FIG. 4 is a left side elevation view thereof;  
FIG. 5 is a top plan view thereof; and,  
FIG. 6 is a rear elevation view thereof.

[56] **References Cited**

**U.S. PATENT DOCUMENTS**

D. 174,113 3/1955 Dey ..... D6/396 X  
D. 211,764 7/1968 Vries ..... D6/450

**1 Claim, 2 Drawing Sheets**

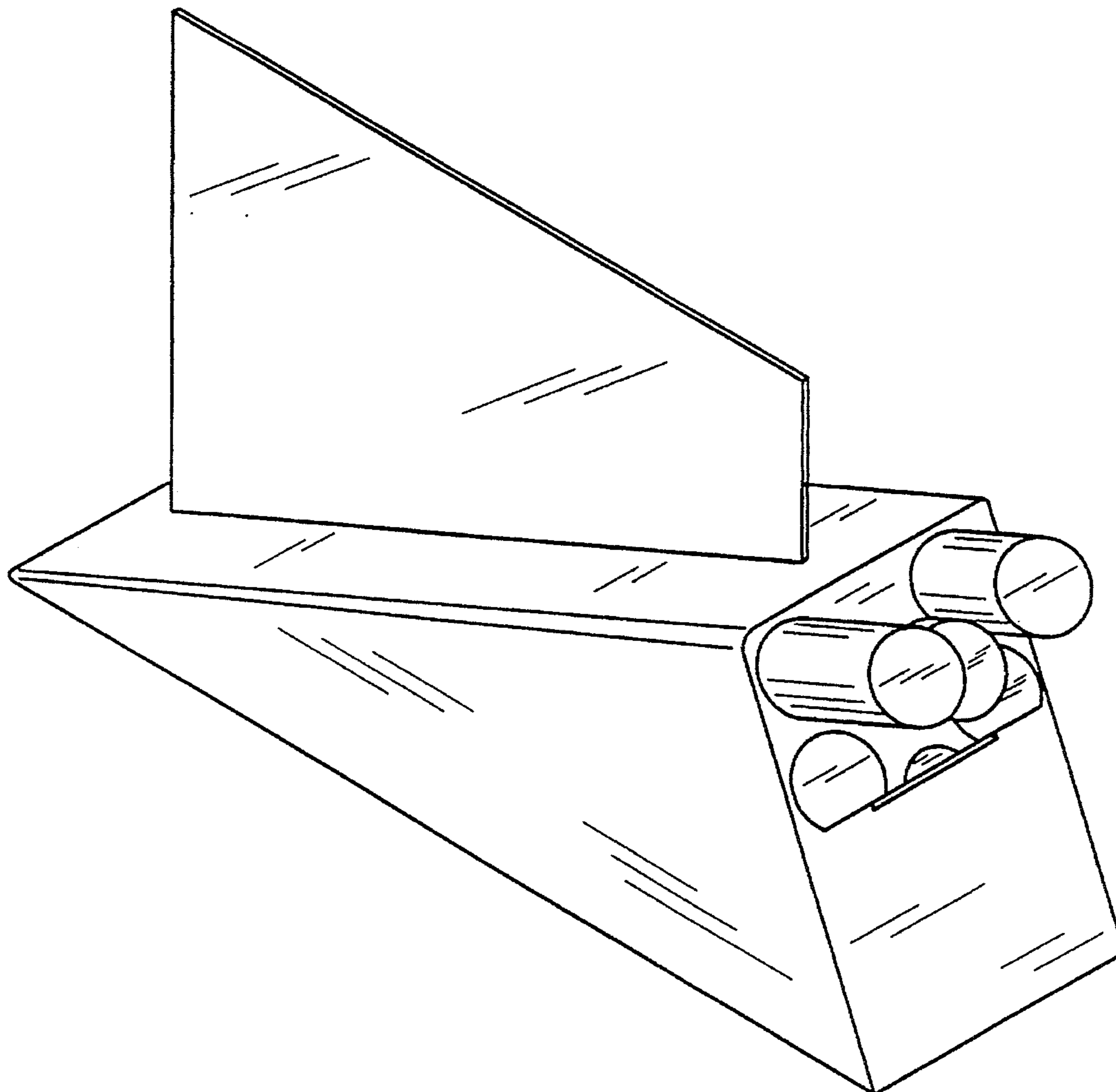


FIG. 1

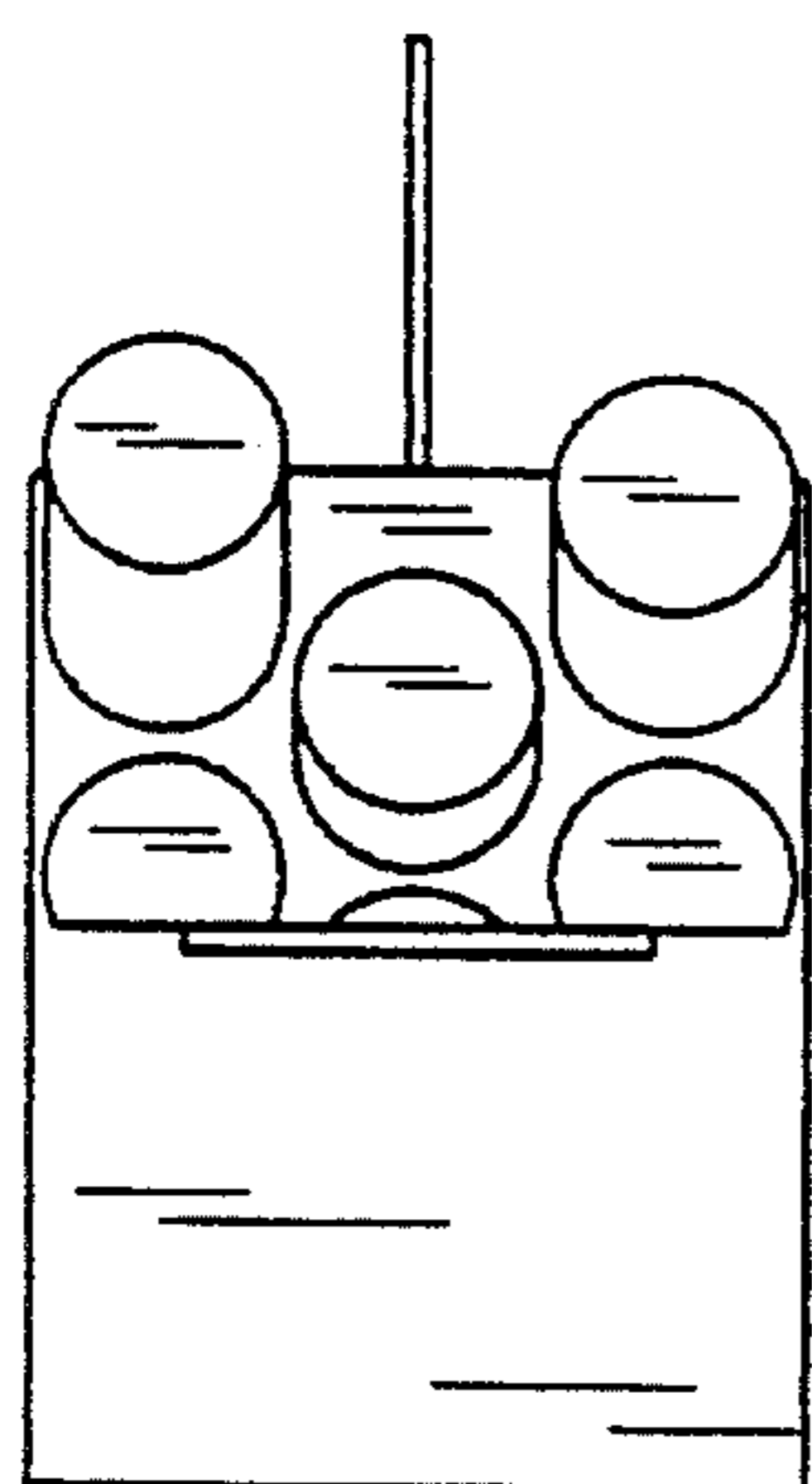
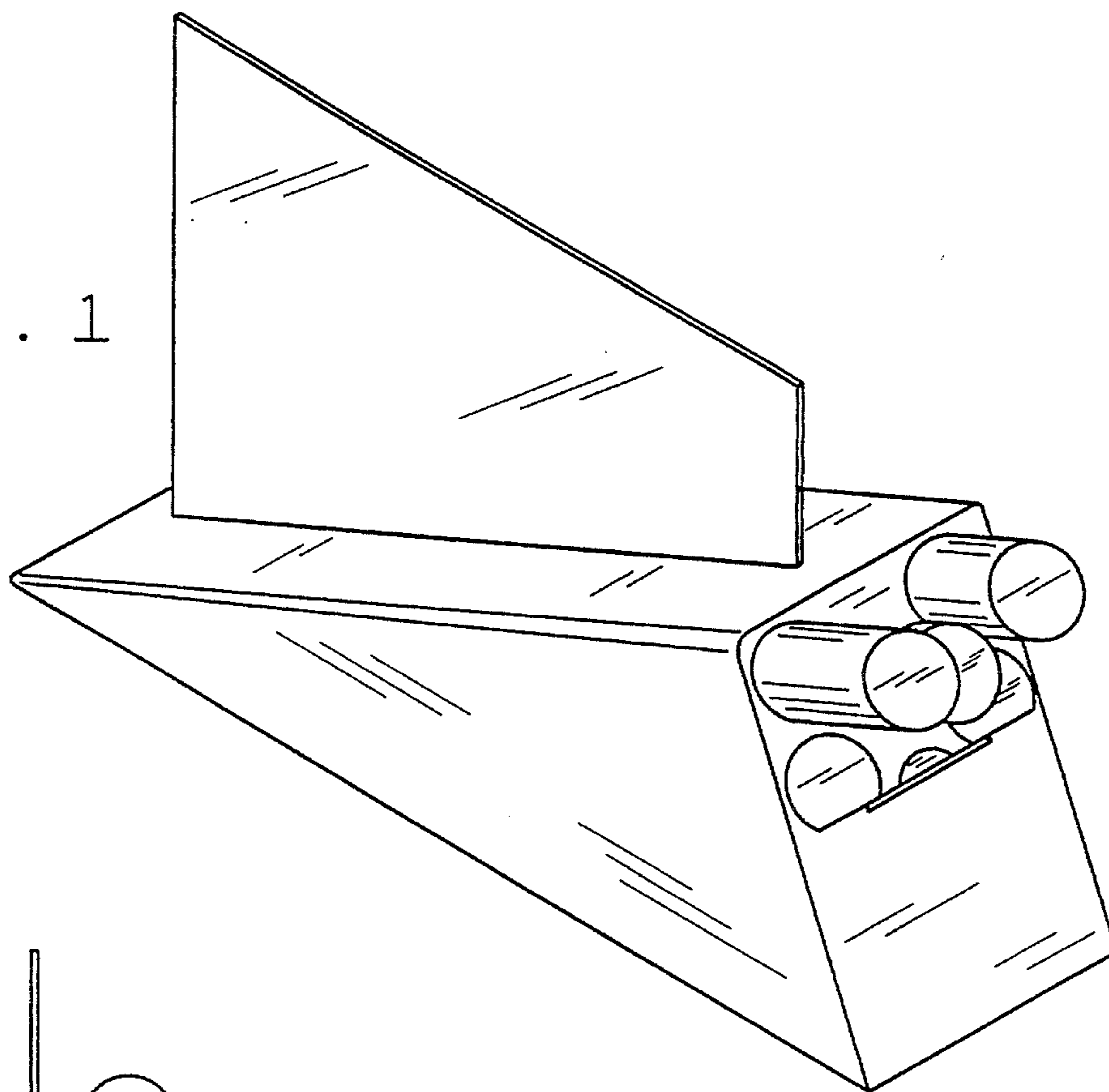
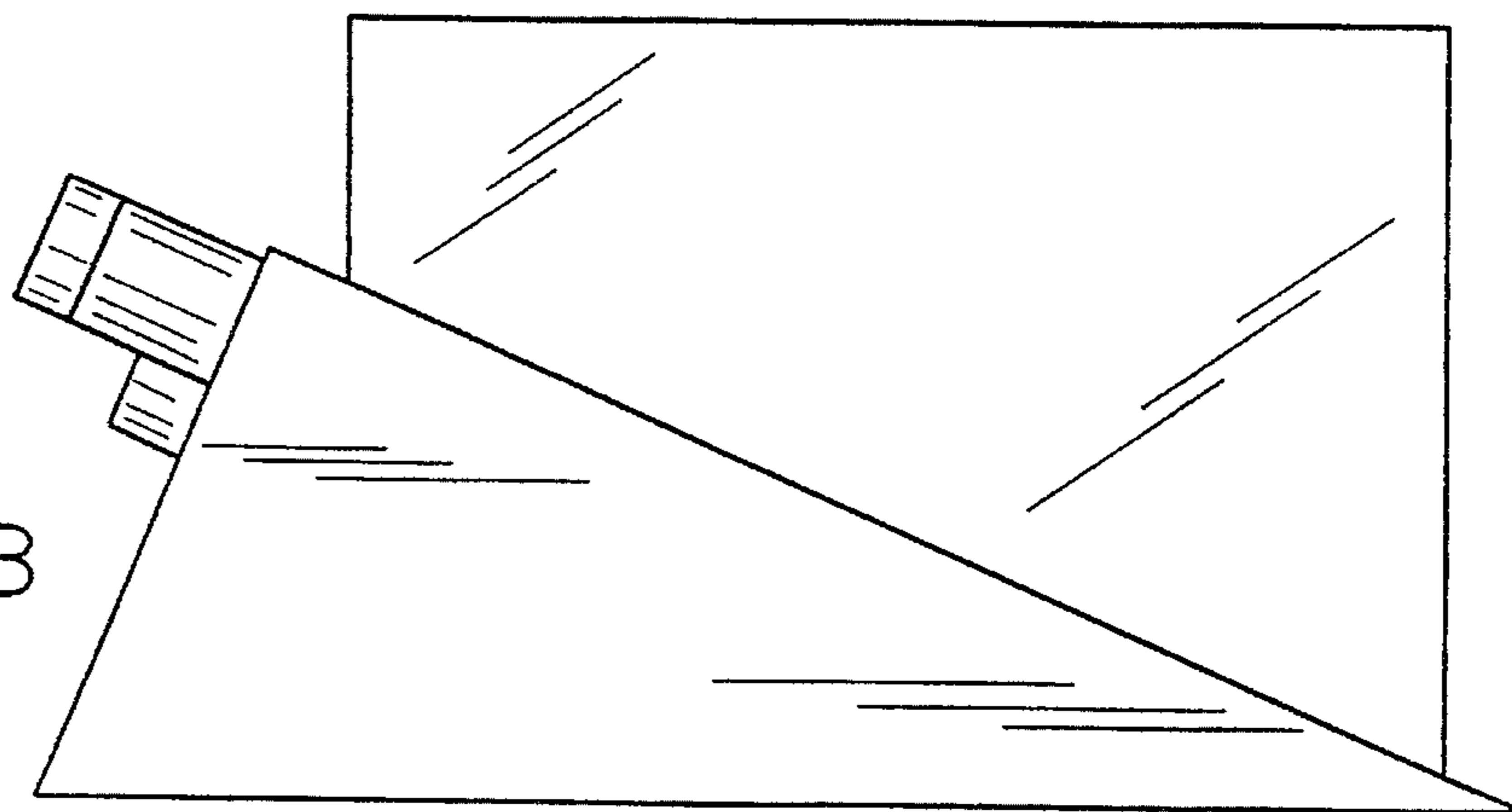


FIG. 2

FIG. 3



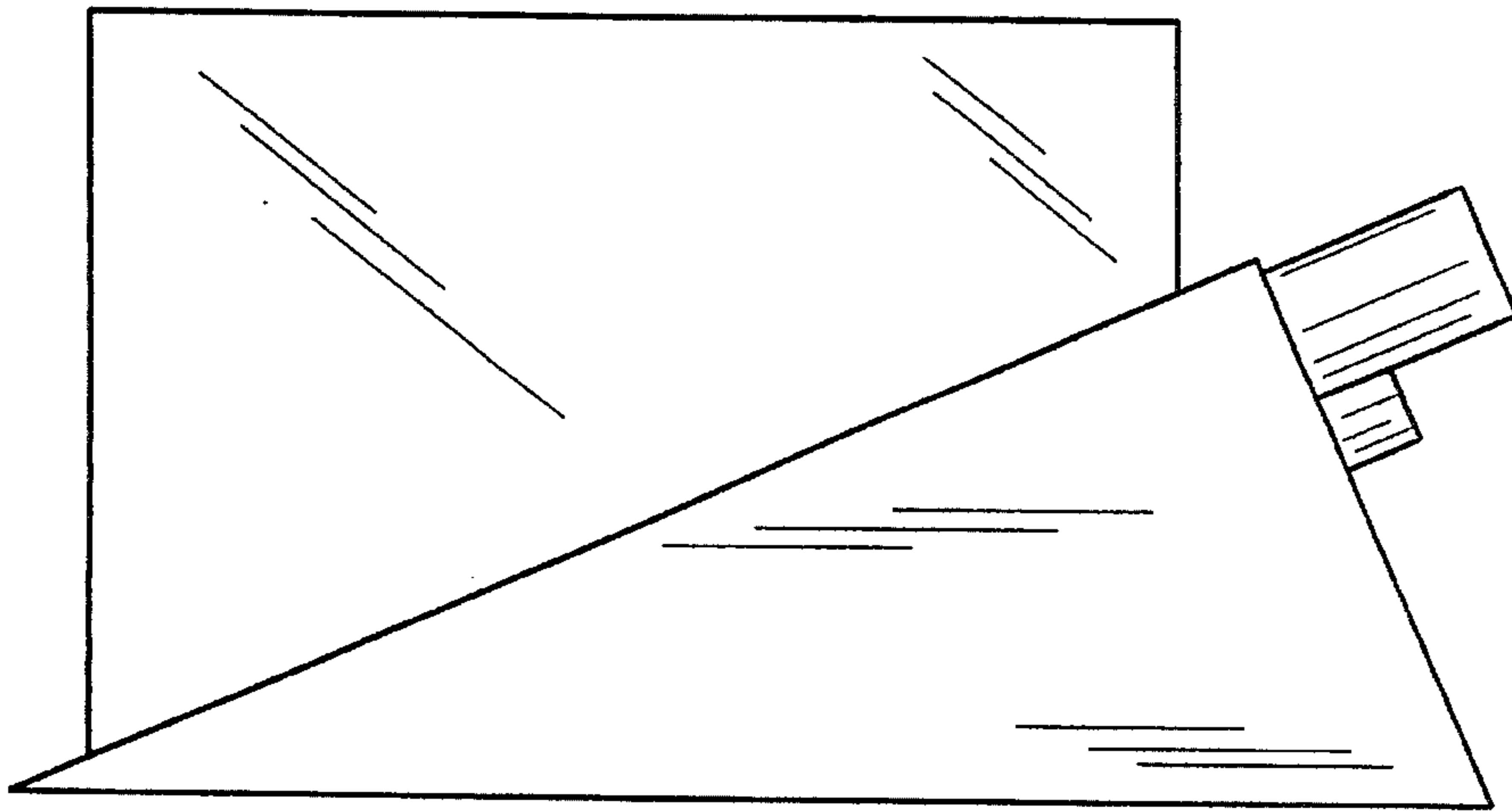


FIG. 4

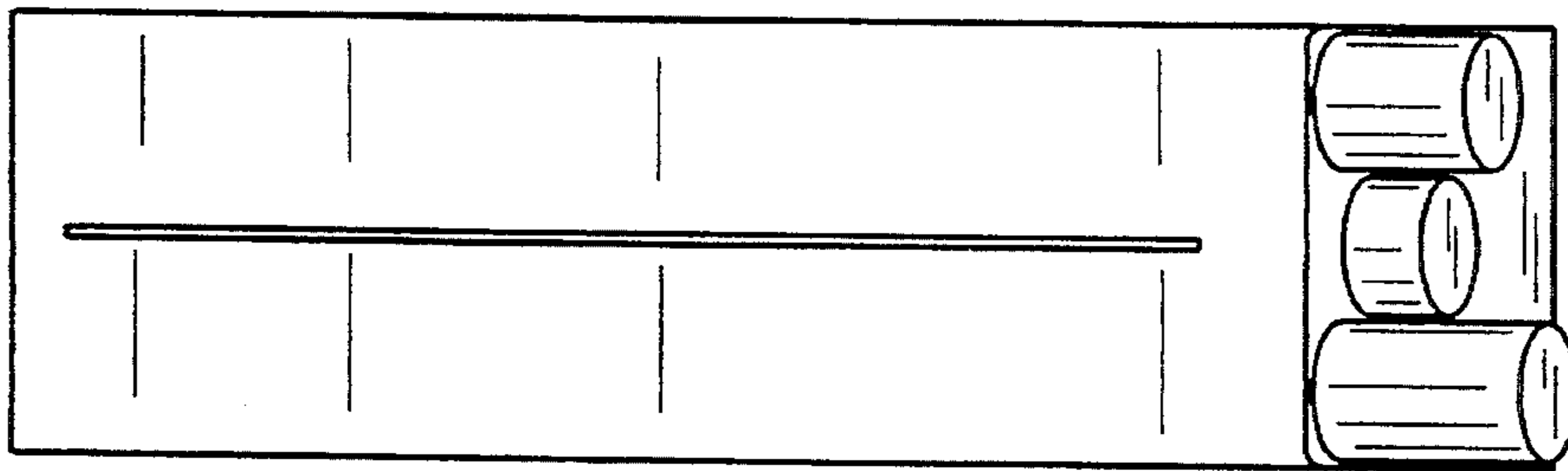


FIG. 5

FIG. 6

