



US00D363391S

United States Patent [19] Zapf

[11] Patent Number: **Des. 363,391**

[45] Date of Patent: ****Oct. 24, 1995**

[54] **DESK**

[76] Inventor: **Otto W. Zapf**, Herzog-Adolph-Strasse
5, D-6240 Königstein, Germany

[**] Term: **14 Years**

[21] Appl. No.: **14,661**

[22] Filed: **Oct. 27, 1993**

[52] U.S. Cl. **D6/422**

[58] Field of Search D6/396, 397, 419-428,
D6/449, 480, 484; 108/50; 32/194-196

[56] **References Cited**

U.S. PATENT DOCUMENTS

D. 284,532	7/1986	Vogt	D6/428
D. 300,392	3/1989	Sapper	D6/426
D. 303,882	10/1989	Sottsas et al.	D6/428 X
D. 318,385	7/1991	Newhouse	D6/428
D. 319,935	9/1991	Heidmann	D6/422
D. 327,789	7/1992	Caturla et al.	312/195 X
D. 352,845	11/1994	Hellwig et al.	D6/431 X
4,094,256	6/1978	Holper et al.	108/50
4,440,096	4/1984	Rice et al.	108/5

FOREIGN PATENT DOCUMENTS

4018730	10/1991	Germany	312/194
---------	---------	---------------	---------

OTHER PUBLICATIONS

"Interiors" Magazine, Jul. 1973, p. 26, middle left item.
"Krueger, GSA Furniture" brochure, Oct. 1985, p. 7, Model
No. CSW-353.
"GF Business Equipment, Inc." brochure, Oct. 1982, item:
Freestanding Single Pedestal Desk.

Primary Examiner—Alan P. Douglas
Assistant Examiner—Cathron B. Matta
Attorney, Agent, or Firm—Kirschstein et al.

[57] **CLAIM**

The ornamental design for a desk, as shown.

DESCRIPTION

FIG. 1 is a perspective view of a desk showing my new design;
FIG. 2 is a top plan view thereof;
FIG. 3 is a left side elevational view thereof;
FIG. 4 is a front elevational view thereof;
FIG. 5 is a right side elevational view thereof;
FIG. 6 is a rear elevational view thereof; and,
FIG. 7 is a bottom plan view thereof.

1 Claim, 4 Drawing Sheets

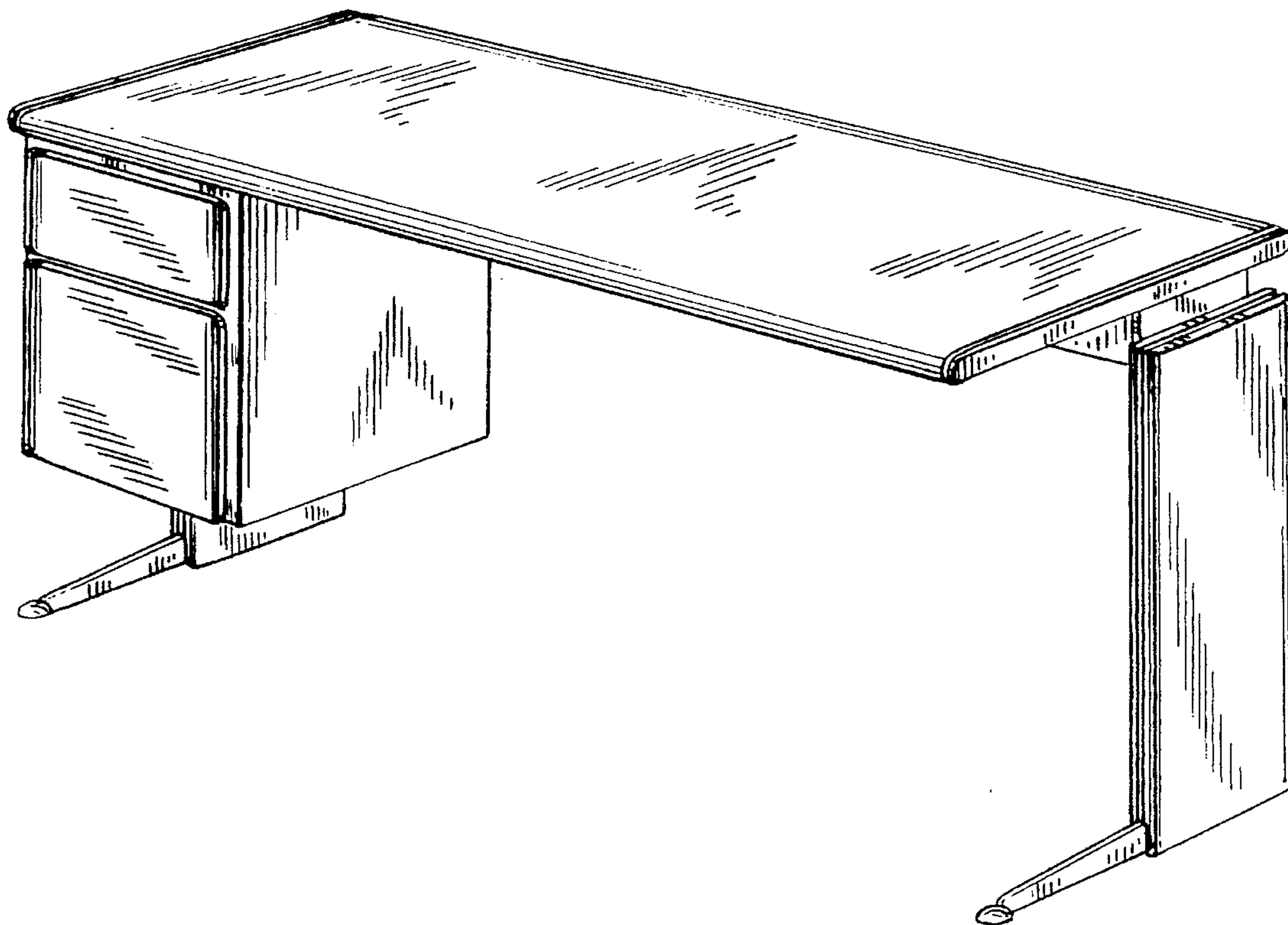
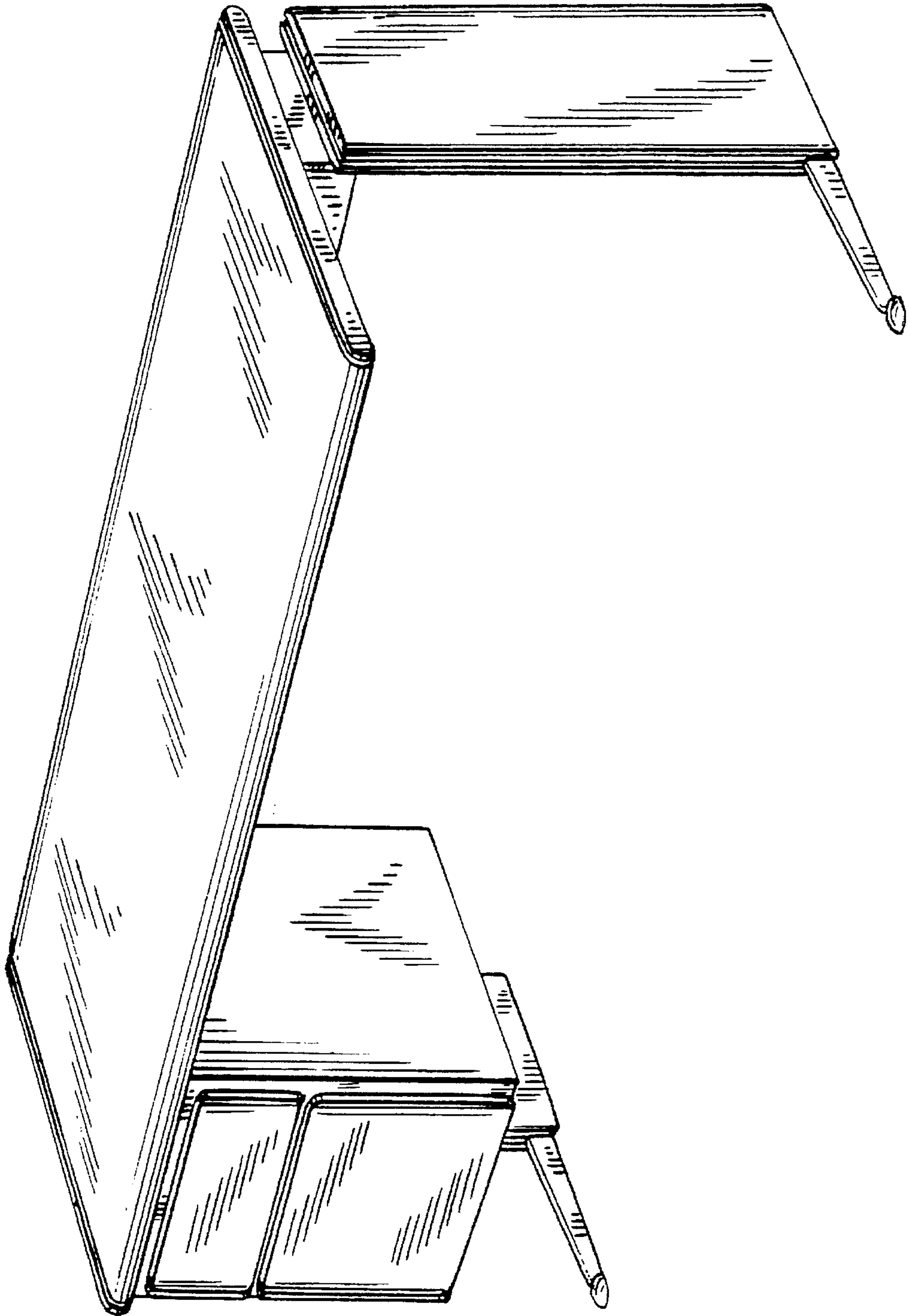


FIG. 1



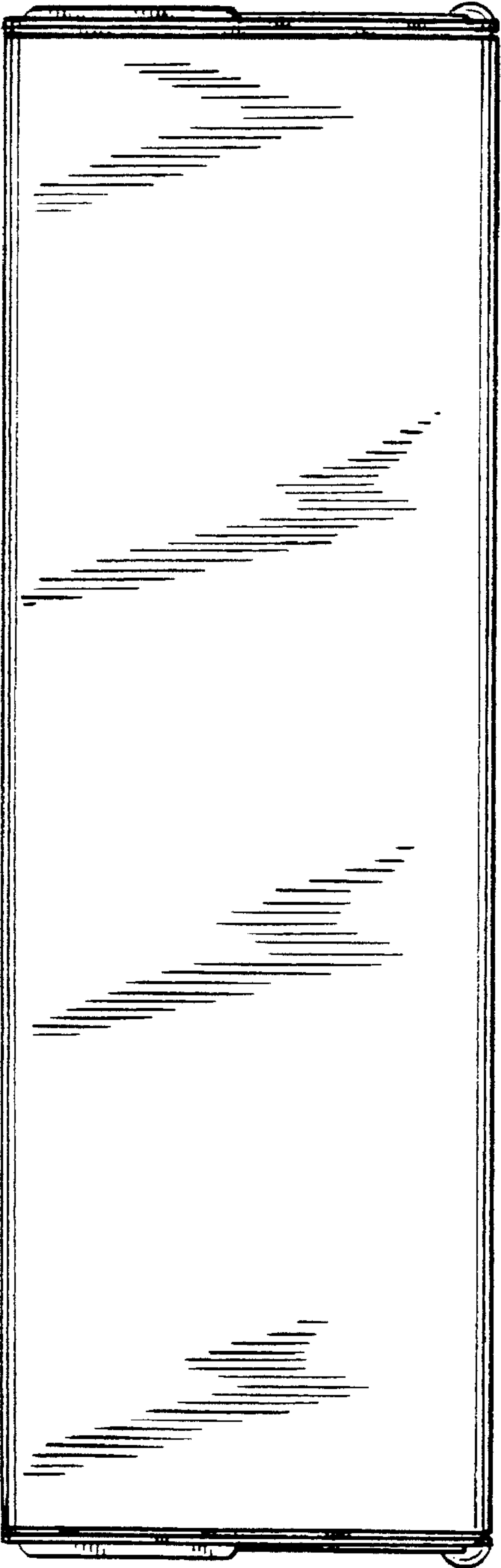


FIG. 2

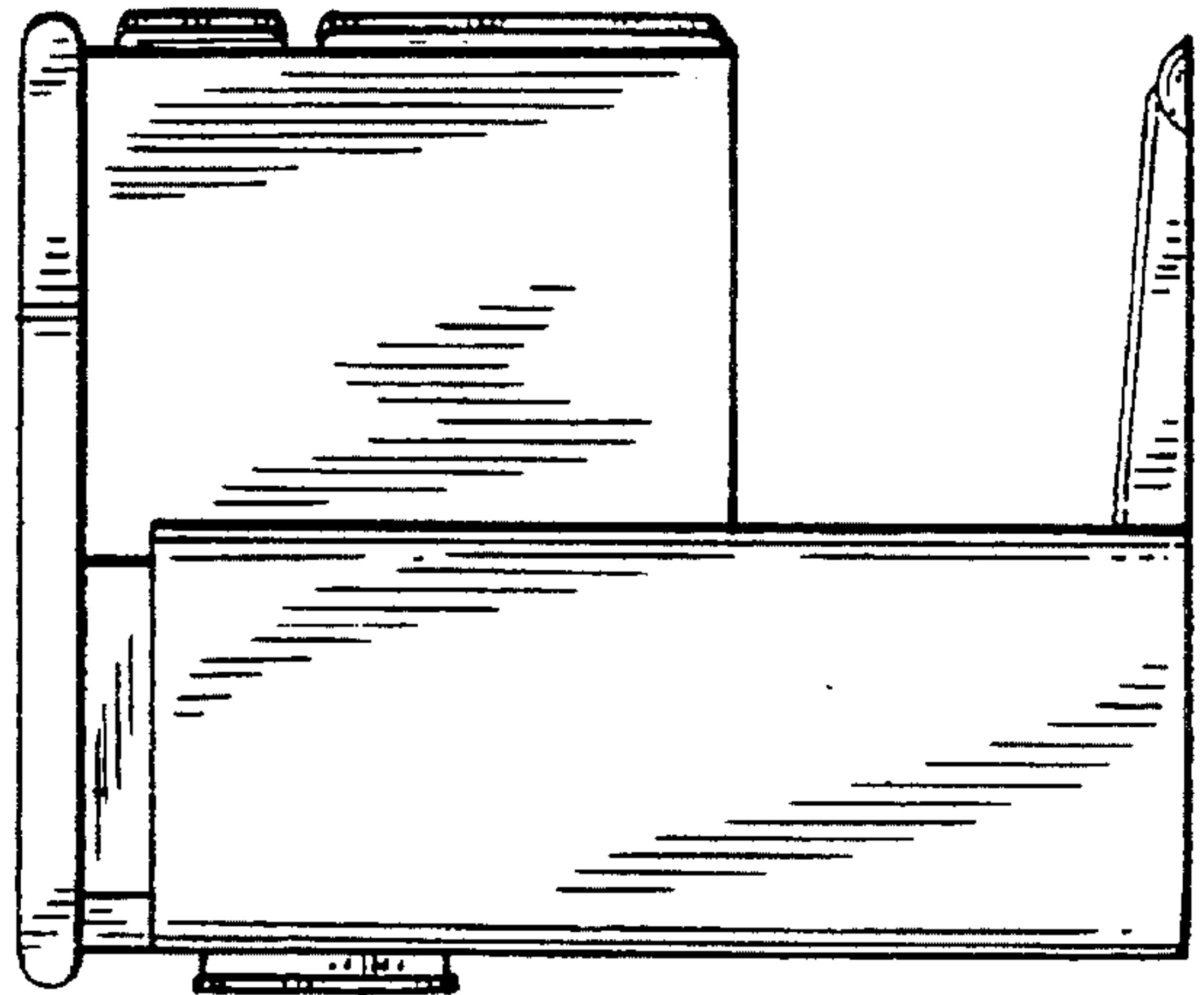


FIG. 3

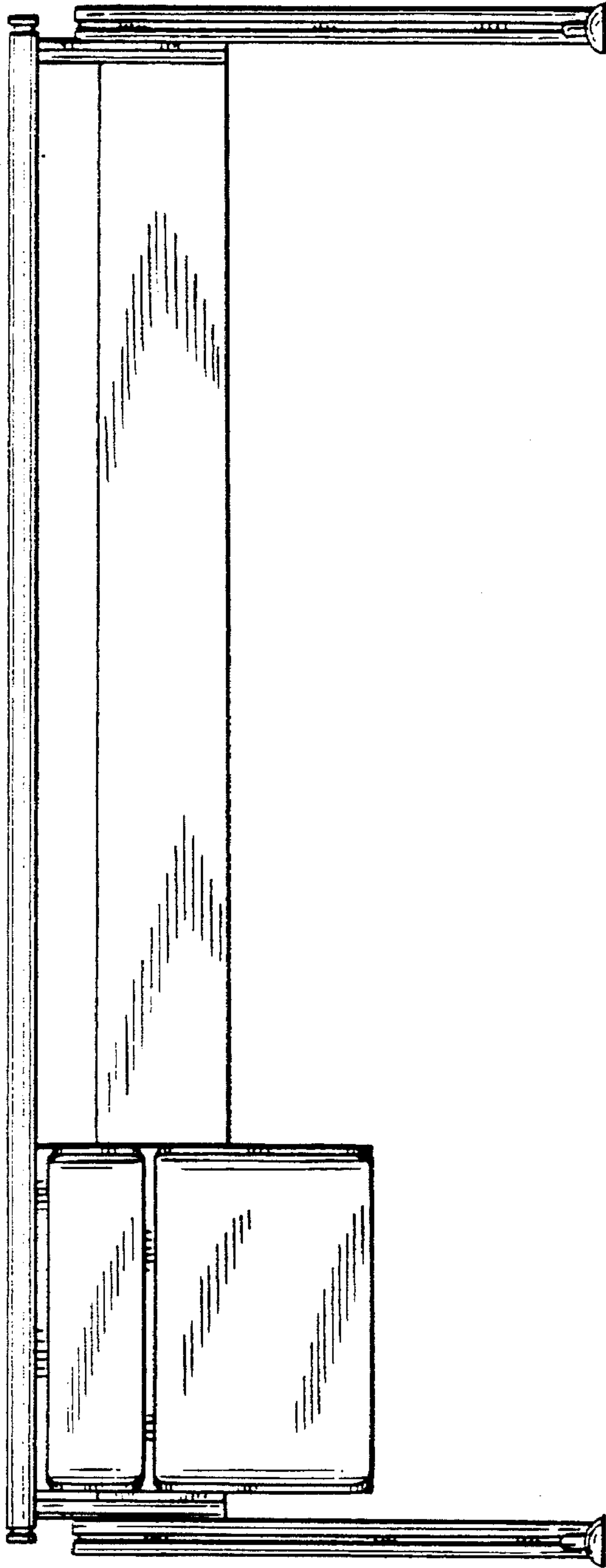


FIG. 4

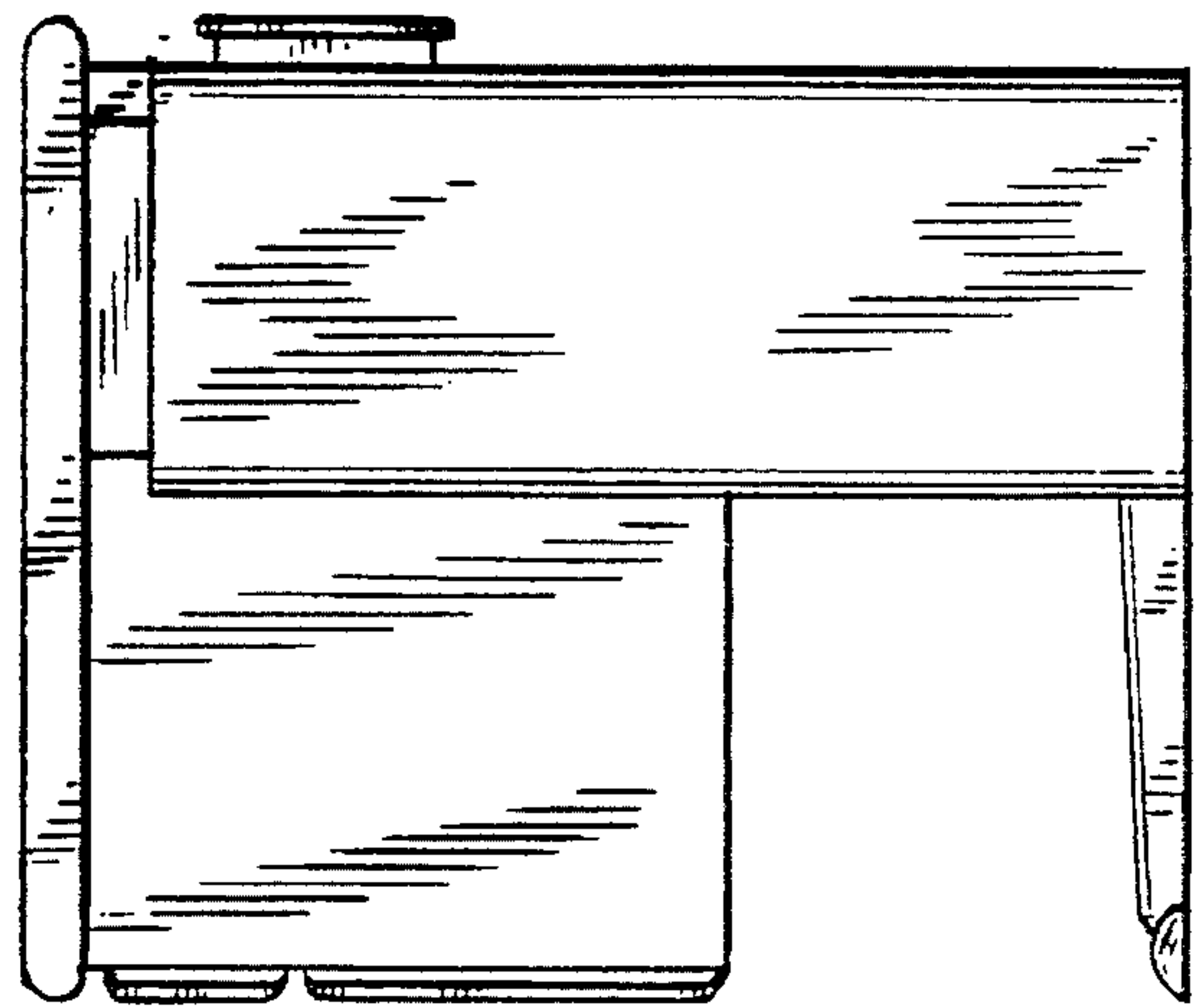


FIG. 5

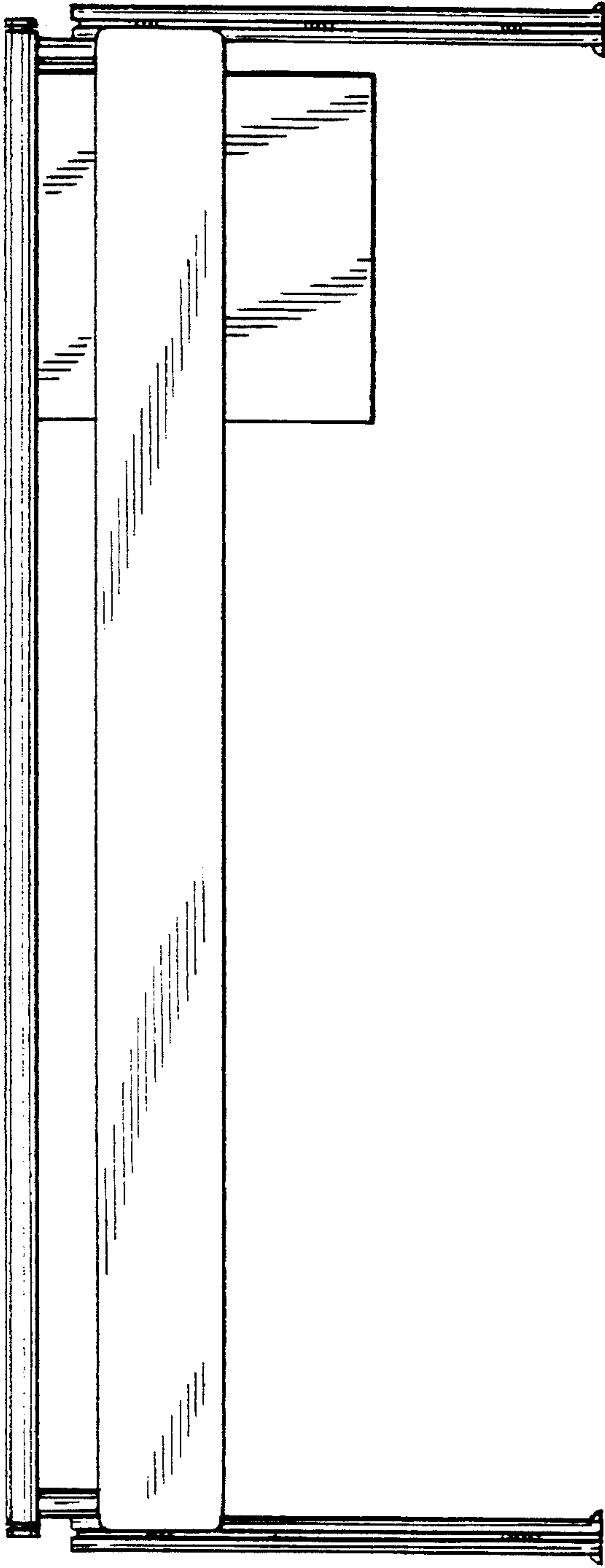


FIG. 6

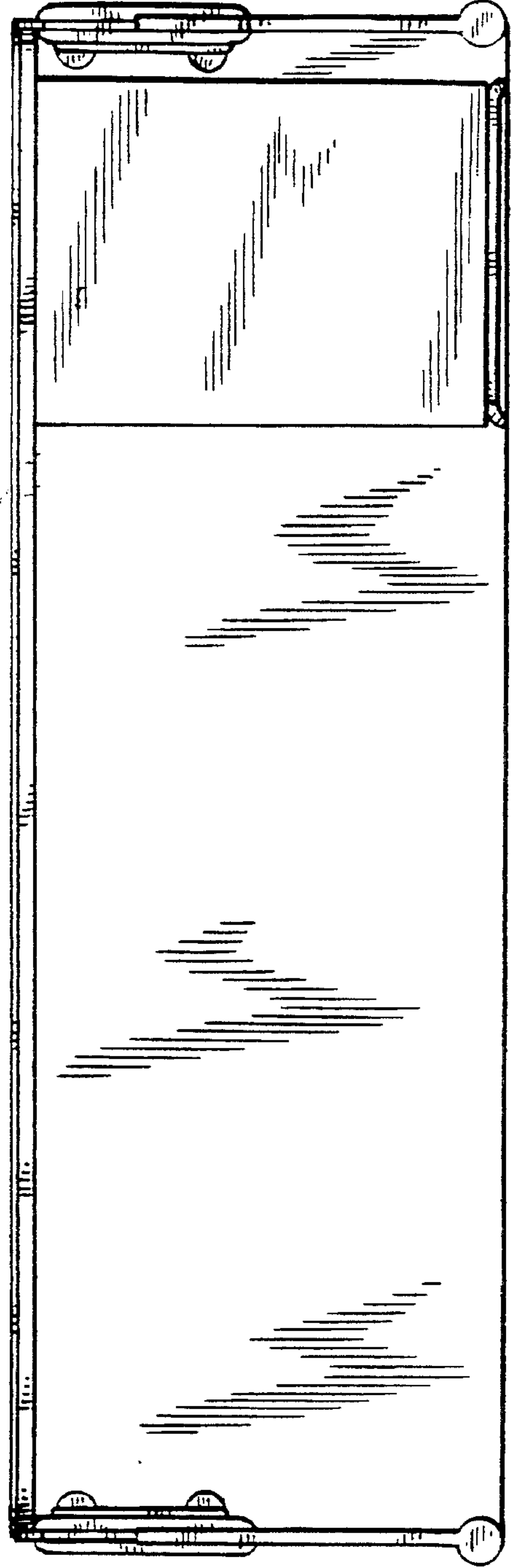


FIG. 7