



US00D363385S

United States Patent [19]
Martin

[11] **Patent Number: Des. 363,385**

[45] **Date of Patent: **Oct. 24, 1995**

[54] **LOUNGE CHAIR FRAME**

[75] Inventor: **Leo Martin**, Coconut Grove, Fla.

[73] Assignee: **Miami Metal Products, Inc.**, Miami, Fla.

[**] Term: **14 Years**

[21] Appl. No.: **30,904**

[22] Filed: **Nov. 14, 1994**

[52] U.S. Cl. **D6/379; D6/370**

[58] **Field of Search** D6/334, 370, 374,
D6/376, 379, 380, 500, 501, 502; 297/411.43,
446

[56] **References Cited**

U.S. PATENT DOCUMENTS

D. 265,870 8/1982 Wistehuff D6/379

D. 349,195 8/1994 Hess D6/376
D. 357,134 4/1995 Hess D6/370
D. 357,138 4/1995 Hess D6/379

Primary Examiner—Janice E. Seeger
Assistant Examiner—Gary D. Watson

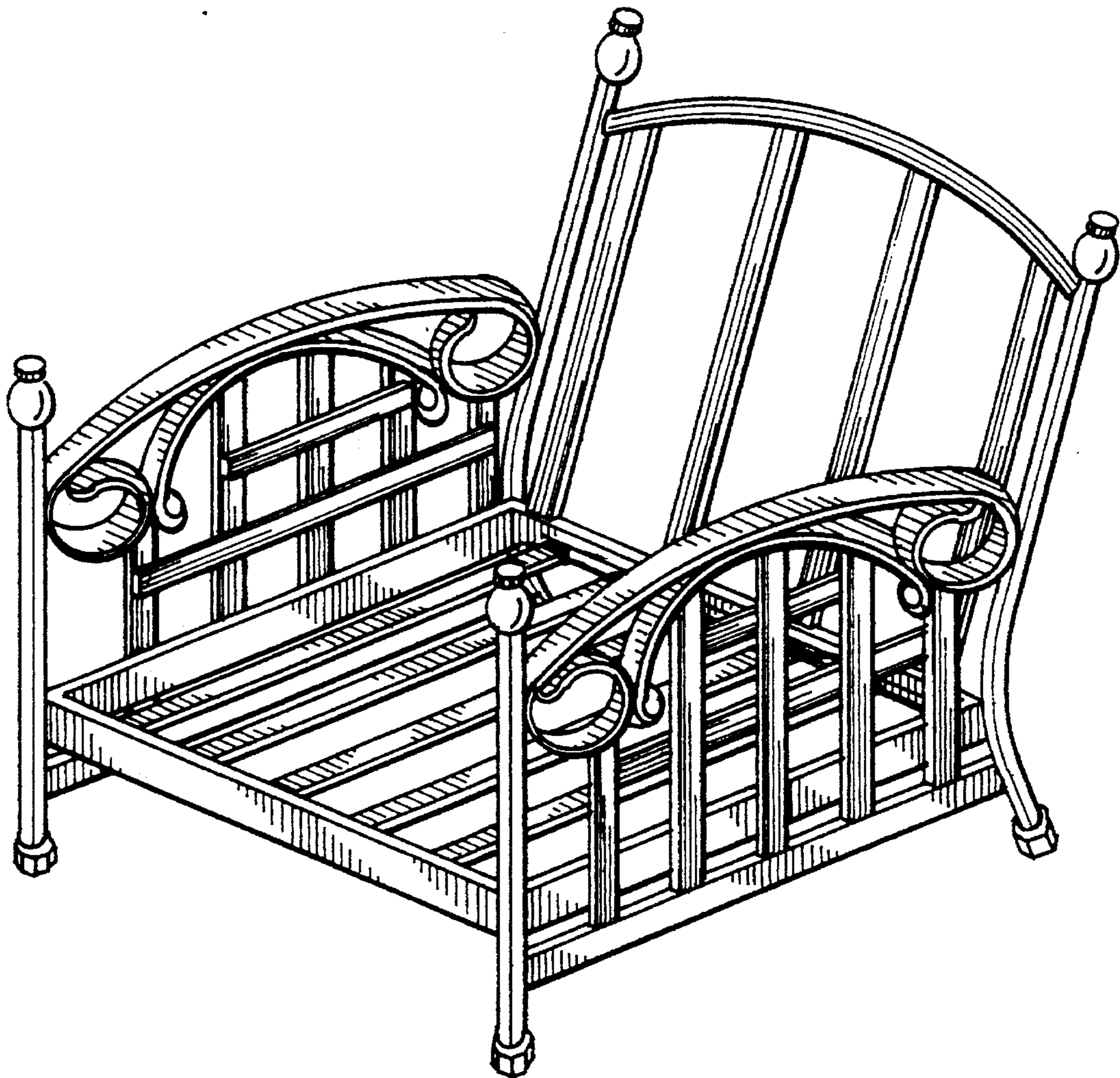
[57] **CLAIM**

The ornamental design for a lounge chair frame, as shown and described.

DESCRIPTION

FIG. 1 is a perspective view of the present invention; FIG. 2 is a top plan view of the present invention; FIG. 3 is a front view of the present invention; FIG. 4 is a rear view of the present invention; FIG. 5 is a side view of the present invention; and, FIG. 6 is a bottom plan view of the present invention.

1 Claim, 3 Drawing Sheets



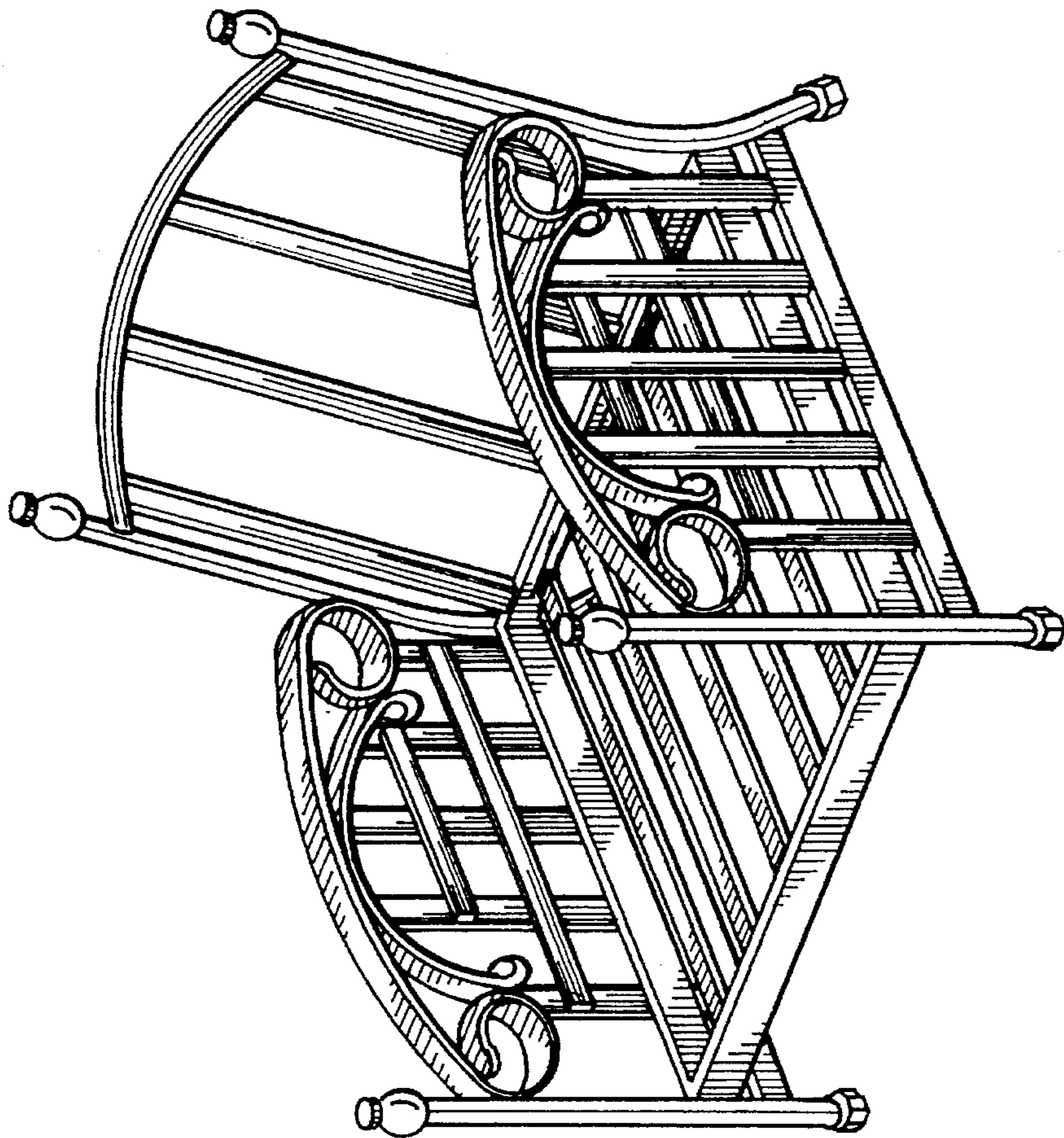


FIG. 1

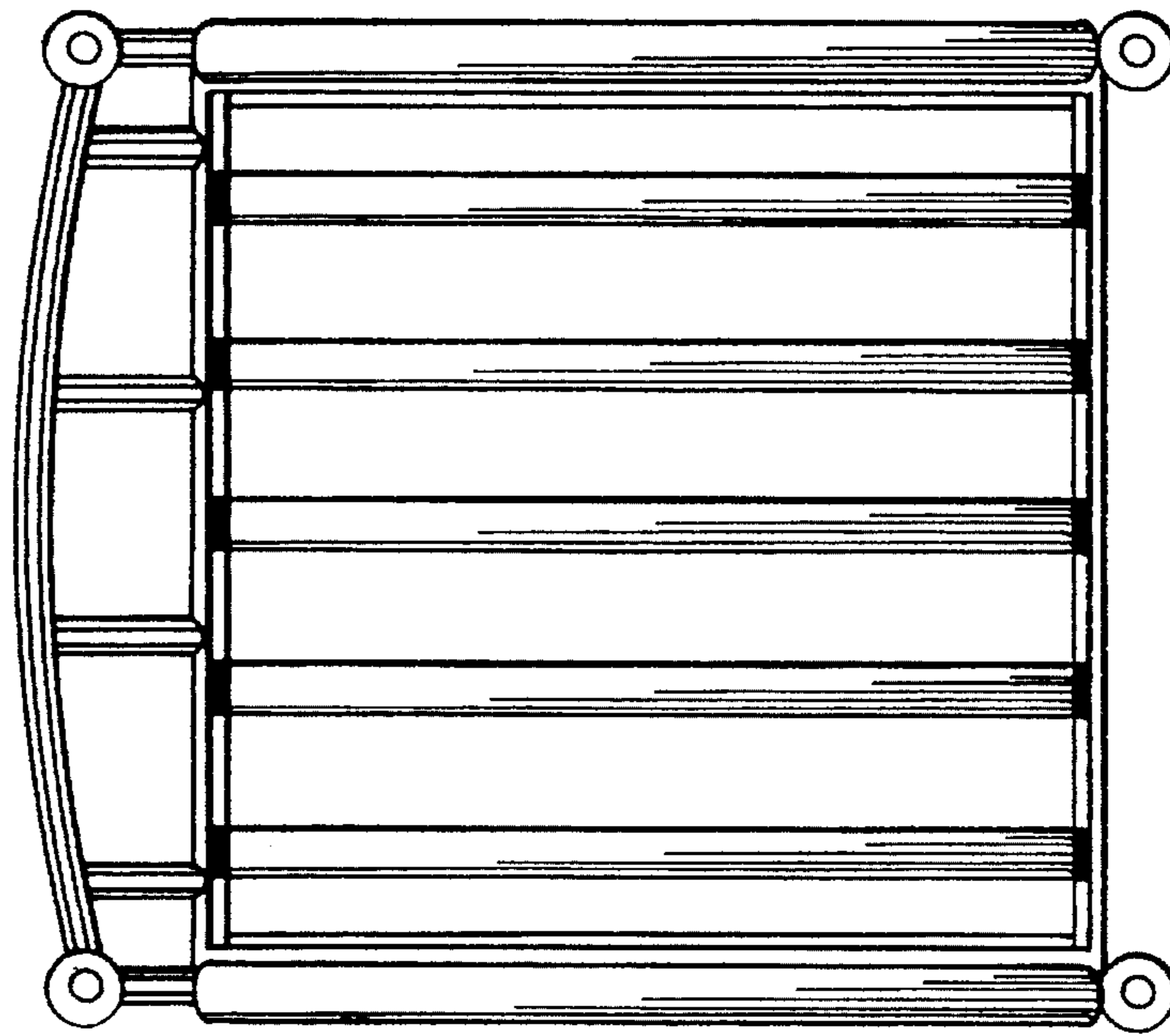


FIG. 2

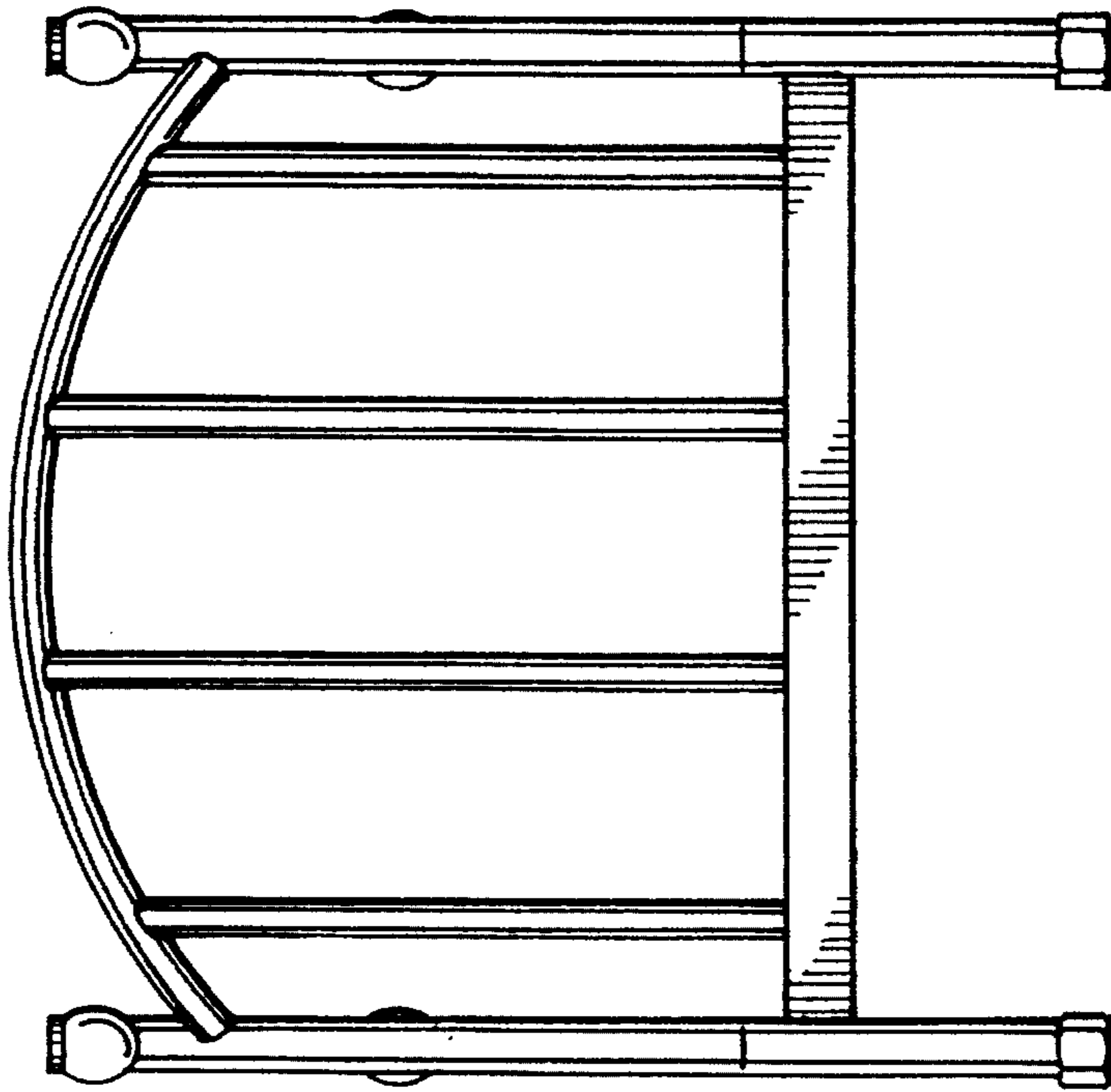


FIG. 4

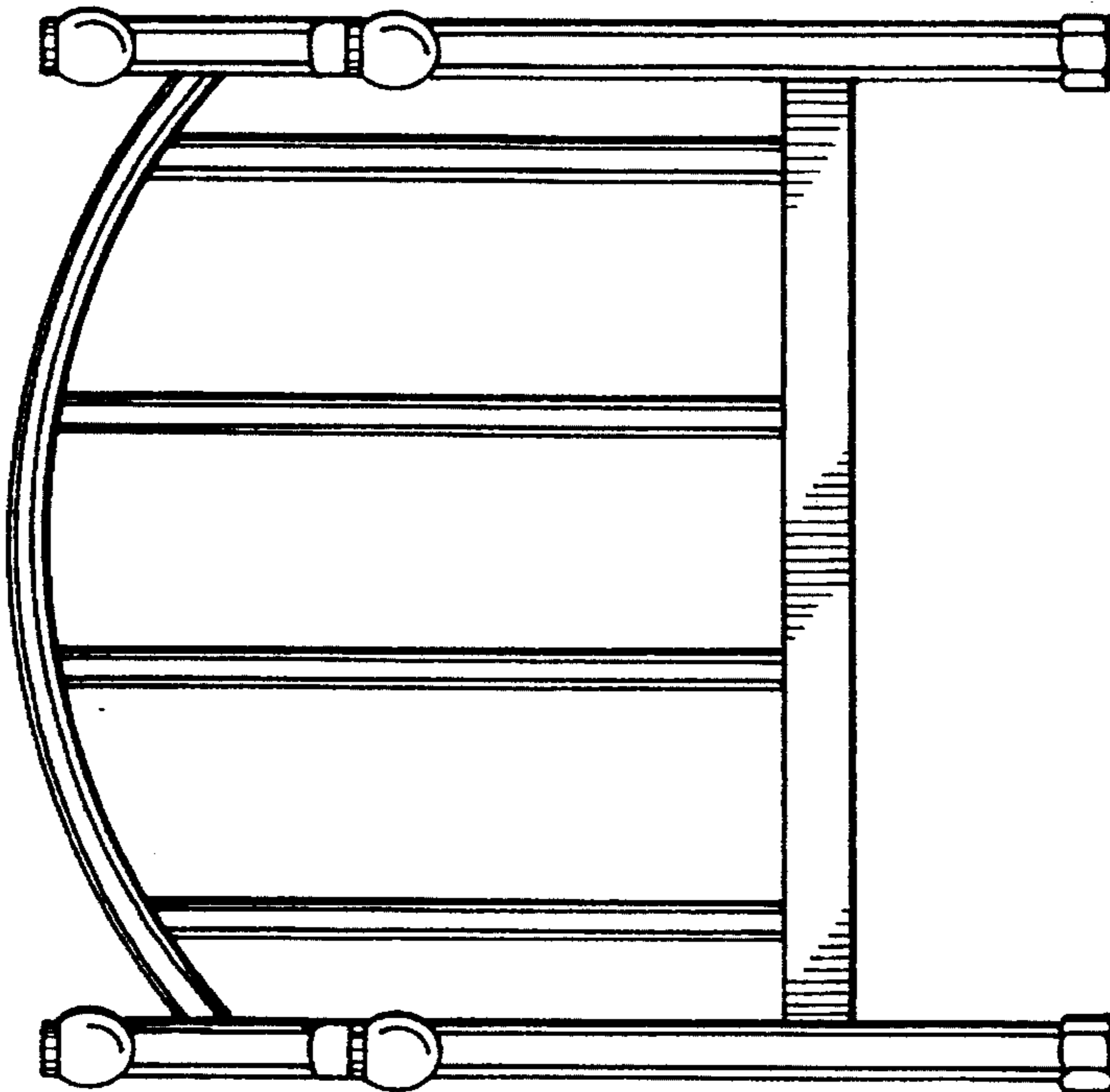


FIG. 3

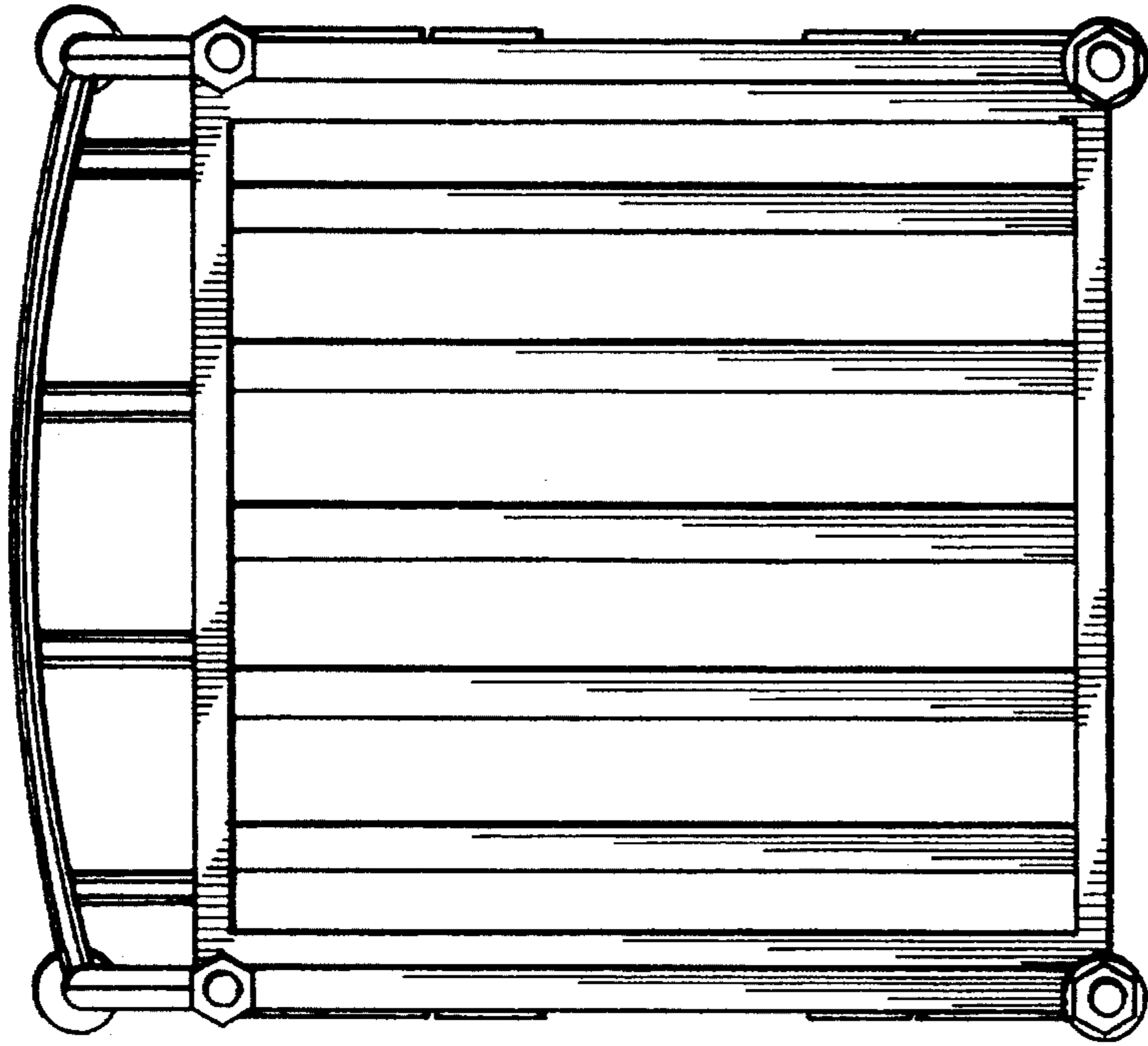


FIG. 6

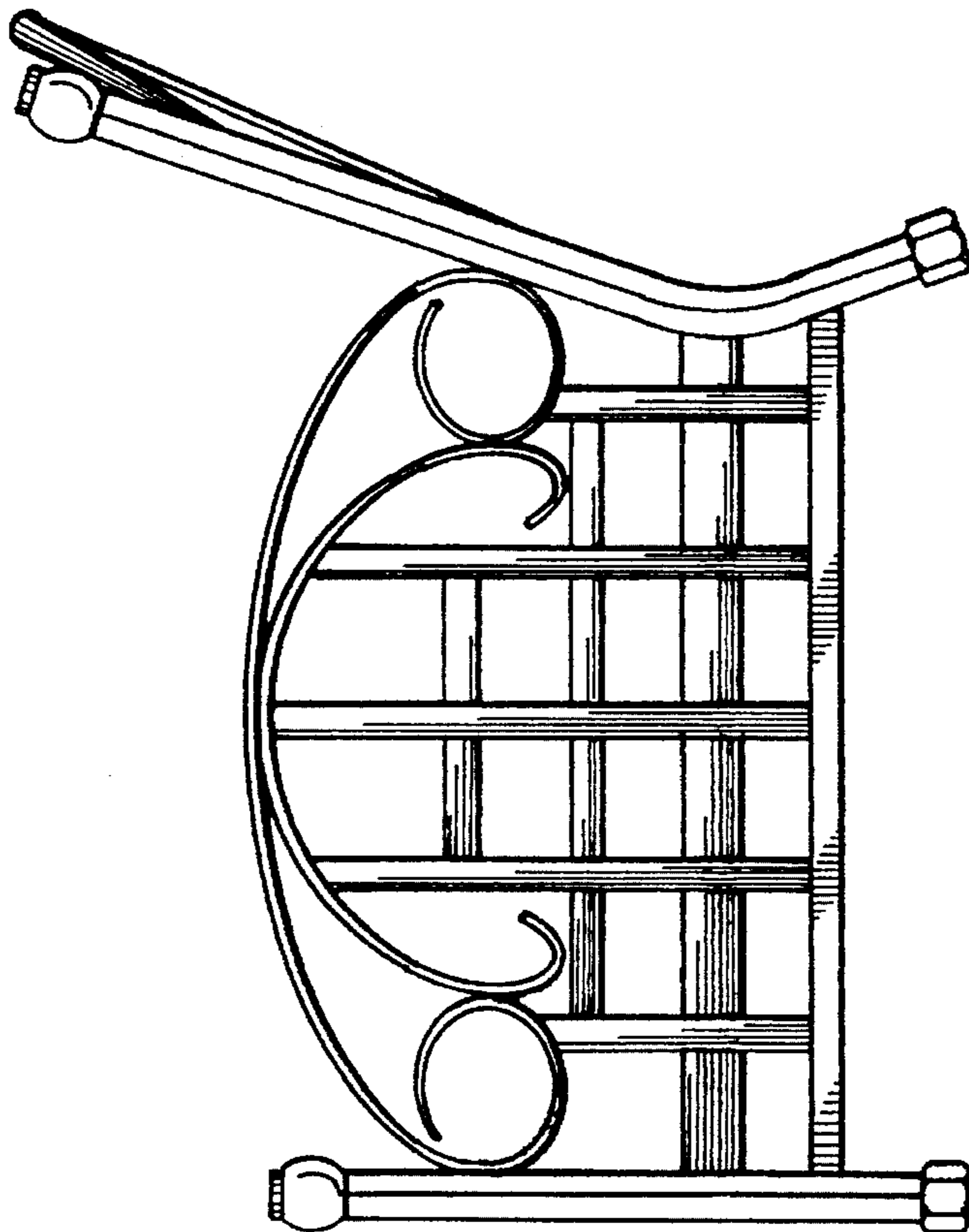


FIG. 5